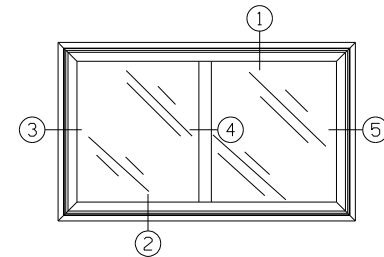
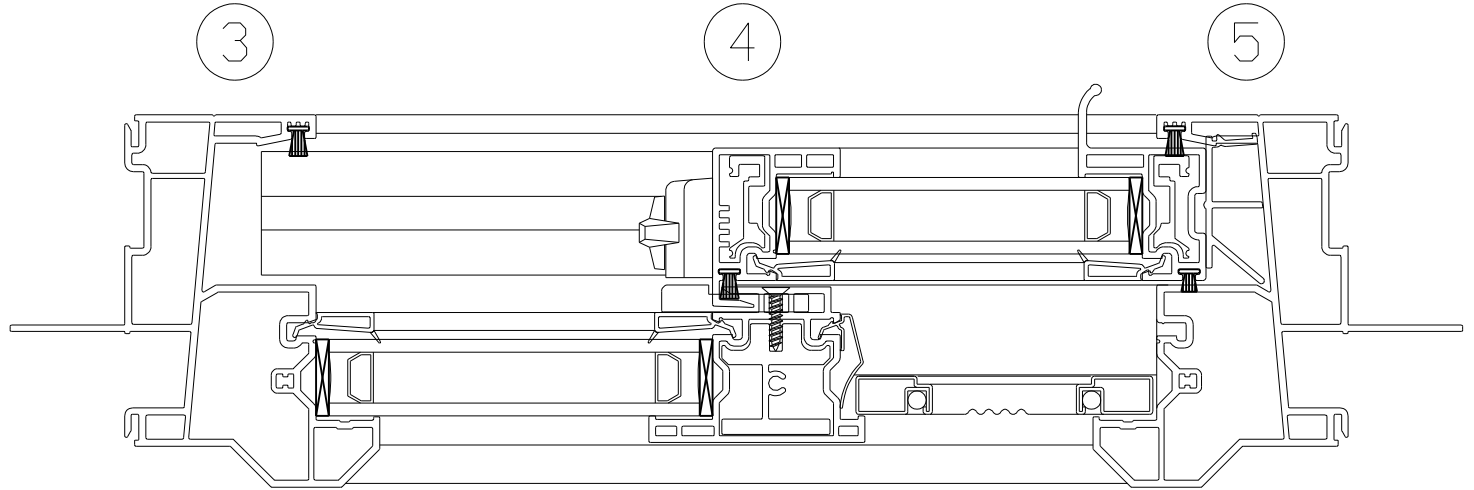
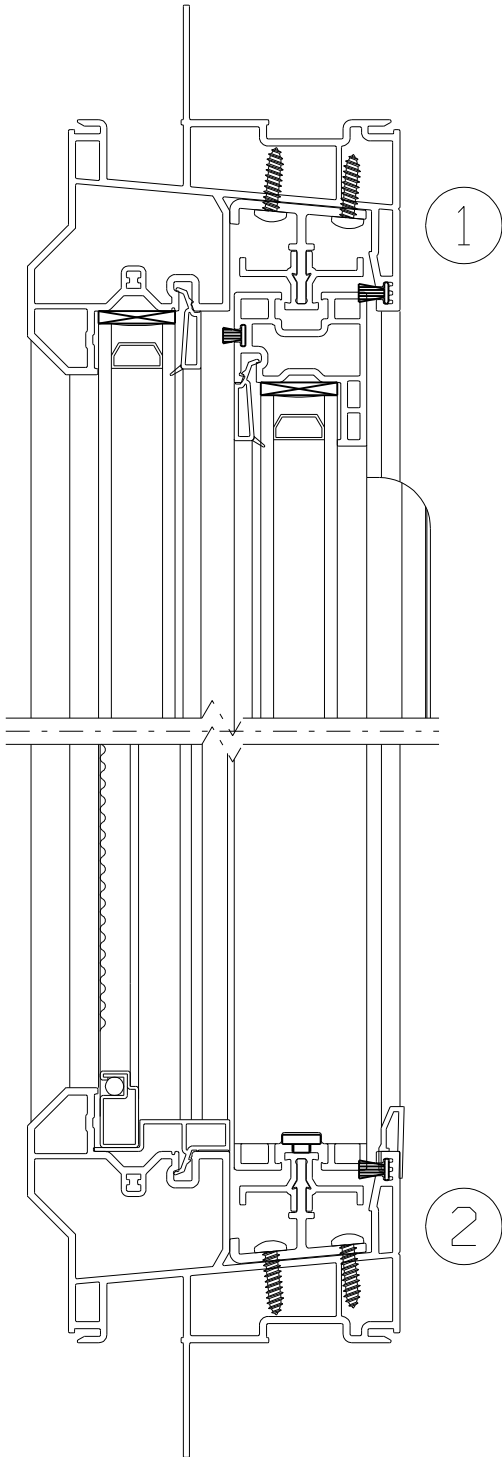

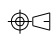


CAD MAINTAINED. CHANGES SHALL BE INCORPORATED BY THE DESIGN ACTIVITY.

REVISION HISTORY			
REV	DESCRIPTION	DATE	APPROVED
-	DESCRIPTION	DATE	APPROVED



<p>CONFIDENTIAL</p> <p>UNPUBLISHED WORK © 2009 DECEUNNCK NORTH AMERICA</p> <p>THIS DOCUMENT CONTAINS PROPRIETARY AND CONFIDENTIAL INFORMATION. DO NOT COPY OR DISCLOSE THIS INFORMATION WITHOUT THE EXPRESS WRITTEN CONSENT OF DECEUNNCK NORTH AMERICA. DECEUNNCK NORTH AMERICA RESERVES THE RIGHT TO CHANGE THIS DRAWING AND ANY ASSOCIATED DOCUMENTS.</p>	<p>UNLESS OTHERWISE SPECIFIED DIM ARE IN INCHES TOL ON ANGLES ± P° 2 PL ± 0.010° 3 PL ± 0.005° INTERPRET DIM AND TOL PER ASME Y14.5M - 1994</p>	<p>DESIGN BY: JGM DATE: 09/05/19 DRAWN BY: JGM DATE: 09/05/28 AUTH: DATE: AUTH: DATE: AUTH: DATE: FILENAME: 88607</p>	<p>deceuninck  NORTH AMERICA</p> <p>281 NORTH GAMBER ROAD MORRIS, OHIO 43026</p>	
	<p>THIRD ANGLE PROJECTION</p> 	<p>NAME: 142.094 SS - 002</p>	<p>SIZE DWG. NO: 142094SS-001 SCALE: 1:1 (LBS/FT.)</p>	<p>REV. NEW</p>

5/28/2009

US:IGM

\\monisr\01\acrtch3\data\dgn\88607.DGN