

**NFRC U-FACTOR, SHGC, VT, &
CONDENSATION RESISTANCE
COMPUTER SIMULATION REPORT**

(Revised)

**Rendered to:
AMERICAN WINDOW ALLIANCE, INC.**

**SERIES/MODEL:
Windgate/Belmont/Stormgate Single Hung**

Report Number: G6286.11-116-45
Original Report Date: 05/11/17
Revised Report Date: 10/12/17



**NFRC U-FACTOR, SHGC, VT, & CONDENSATION RESISTANCE
COMPUTER SIMULATION REPORT**
(Revised)

Rendered to:
AMERICAN WINDOW ALLIANCE, INC.
6750 Belt Circle Drive
Bedford Park, Illinois 60638

Report Number: G6286.11-116-45
Simulation Date: 05/11/17
Original Report Date: 05/11/17
Revised Report Date: 10/12/17

Project Summary:

Architectural Testing, Inc., an Intertek Company (Intertek-ATI) was contracted to perform U-Factor, Solar Heat Gain Coefficient, Visible Transmittance, and Condensation Resistance* computer simulations in accordance with the National Fenestration Rating Council (NFRC). The products were evaluated in full compliance with NFRC requirements to the standards listed
**NFRC's Condensation Resistance rating is NOT equivalent to a Condensation Resistance Factor (CRF) determined in accordance with AAMA 1503.*

Standards:

ANSI/NFRC 100-2017: Procedure for Determining Fenestration Product U-Factors
ANSI/NFRC 200-2017: Procedure for Determining Fenestration Product Solar Heat Gain Coefficient and Visible Transmittance at Normal Incidence
NFRC 500-2017: Procedure for Determining Fenestration Product Condensation Resistance Values

Software:

Frame and Edge Modeling: THERM 7.4.4
Center-of-Glass Modeling: WINDOW 7.4.14
Total Product Calculations: WINDOW 7.4.14
Spectral Data Library: IGDB 55.0

Simulations Specimen Description:

Series/Model: Windgate/Belmont/Stormgate Single Hung
Type: Vertical Slider, Single Hung
Frame Material: VY Vinyl
Sash Material: VY Vinyl
Standard Size: 1200mm x 1500mm

Modeling Assumptions/Technical Interpretations:

- 1) To prevent air infiltration, tape was applied to all interior sash crack locations.
- 2) All grids were grouped for simulation purposes according to ANSI/NFRC Section 4.2.4.1.D. The 5.5mm x 18mm Contour was the group leader.
- 3) The 5473, 8127 and 8134 glazing beads were grouped for simulation purposes according to ANSI/NFRC 100-2014 Section 4.2.1.D. 8127 was the group leader.
- 4) The 8672, 8673, and 8674 Sills were grouped for simulation purposes according to ANSI/NFRC 100-2014 Section 4.2.1.M. 8674 was the group leader.
- 5) * Option #1244 only 8672 & 8673 Sills were grouped for simulation purposes according to ANSI/NFRC 100-2014 Section 4.2.1.M. 8673 was the group leader.

Specialty Products Table:

The specialty products method allow the manufacturer to determine the overall product SHGC and VT for any glazing option. The center of glass SHGC and/or VT must be determined using WINDOW 7.4.14. The method gives overall product SHGC and VT indexed on center of glass properties. All values used in the calculations are truncated to six decimal place precision.

	No Dividers	Dividers < 1	Dividers > 1
SHGC0	0.004137	0.006925	0.009555
SHGC1	0.787308	0.705404	0.628178
VT0	0.000000	0.000000	0.000000
VT1	0.783172	0.698478	0.618624

$$SHGC = SHGC0 + SHGCc (SHGC1 - SHGC0)$$

$$VT = VT0 + VTc (VT1 - VT0)$$

Validation Matrix:

The following products are part of a validation matrix. Only one is required for validation testing.

<i>Product Line</i>	<i>Report Number</i>
None	-

Spacer Option Description

<i>Spacer Type</i>	<i>Sealant</i>		<i>Code</i>
	<i>Primary</i>	<i>Secondary</i>	
Quanex Duralite Spacer	Butyl 761-71X	None	P1-S
Cardinal Endur Spacer	Royal PIB	Silicone	SS-D
Technoform I-Spacer	PIB	Silicone	TS-D

Grid Option Description

<i>Grid Size</i>	<i>Grid Type</i>	<i>Grid Pattern</i>
3/16" x 5/8"	Aluminum Rectangular Grid (Painted)	NFRC Standard
5.9mm x 8mm	Aluminum Pencil Bar(Painted)	NFRC Standard
5.5mm x 18mm	Aluminum Contour Grid (Painted)	NFRC Standard
3/16" x 5/8"	Decralite Applied SDL	---

Reinforcement Option Description

<i>Location</i>	<i>Material</i>
x	
x	
x	
x	
x	
x	
x	
x	
x	

Gas Filling Technique Description

<i>Fill Type</i>	<i>Method</i>
90% Argon	Single probe
x	
x	
x	

Edge-of-Glass Construction

<i>Interior Condition</i>	Foam tape between sash leg and glass
<i>Exterior Condition</i>	PVC glazing bead with flexibe vinyl strip against glass

Weatherstripping

<i>Type</i>	<i>Quantity</i>	<i>Location</i>
Foam bulb gasket	1 row	Bottom rail
Finpile	2 rows	Stiles
Finpile	1 row	Lock rail, sill

Frame/Sash Materials Finish

<i>Interior</i>	Vinyl
<i>Exterior</i>	Vinyl

**NFRC 100/200/500 Summary Sheet
Windgate/Belmont/Stormgate Single Hung**

ID	Pane Thickness 1	Gap Width 1	Pane Thickness 2	Gap Width 2	Pane Thickness 3	Gap Width 3	Pane Thickness 4	Gap Fill	Low-e (Surface#)	Tint	Spacer	Grid Type
	U-Factor			Solar Heat Gain Coefficient (SHGC) Grids (None / <1 / >=1)				Visible Transmittance (VT) Grids (None / <1 / >=1)			Condensation Resistance	
1	142.094 SH / Opt 1 (No Refo, No Foam): clr / air / clr (SS/SS) 3/4" IG											
	0.087	0.563	0.087					AIR		CL	P1-S	N,G,S
	U-Factor 0.45			SHGC (N / <1) 0.63 / 0.56				VT (N / <1) 0.65 / 0.58			CR 46	
2	142.094 SH / Opt 1 (No Refo, No Foam): clr / air / clr (DS/DS) 3/4" IG											
	0.118	0.500	0.118					AIR		CL	P1-S	N,G,S
	U-Factor 0.45			SHGC (N / <1) 0.61 / 0.55				VT (N / <1) 0.65 / 0.58			CR 45	
3	142.094 SH / Opt 1 (No Refo, No Foam): clr / air / clr (5mm/DS) 3/4" IG											
	0.185	0.438	0.118					AIR		CL	P1-S	N,G,S
	U-Factor 0.46			SHGC (N / <1) 0.59 / 0.53				VT (N / <1) 0.64 / 0.57			CR 45	
4	142.094 SH / Opt 1 (No Refo, No Foam): clr / air / clr (5mm/DS) 3/4" IG											
	0.185	0.438	0.118					AIR		CL	P1-S	G
	U-Factor 0.46			SHGC (<1) 0.53				VT (<1) 0.57			CR 45	
5	142.094 SH / Opt 1 (No Refo, No Foam): lami / air / clr (DS 090 DS/DS) 3/4" IG											
	0.264	0.345	0.118					AIR		CL	P1-S	N,S
	U-Factor 0.47			SHGC (N / <1) 0.56 / 0.51				VT (N / <1) 0.63 / 0.57			CR 44	
	142.094 SH / Opt 1 (No Refo, No Foam): clr / air / lami (DS/DS 090 DS) 3/4" IG											
	0.118	0.345	0.264					AIR		CL	P1-S	N,S
	U-Factor 0.47			SHGC (N / <1) 0.59 / 0.53				VT (N / <1) 0.63 / 0.57			CR 44	
6	142.094 SH / Opt 1 (No Refo, No Foam): lami / air / clr (DS 090 DS/DS) 3/4" IG											
	0.264	0.345	0.118					AIR		CL	P1-S	G,S
	U-Factor 0.48			SHGC (<1) 0.51				VT (<1) 0.57			CR 44	
	142.094 SH / Opt 1 (No Refo, No Foam): clr / air / lami (DS/DS 090 DS) 3/4" IG											
	0.118	0.345	0.264					AIR		CL	P1-S	G,S
	U-Factor 0.48			SHGC (<1) 0.53				VT (<1) 0.57			CR 44	
7	142.094 SH / Opt 1 (No Refo, No Foam): clr / air / clr / air / clr (SS/SS/SS) 3/4" IG (P1-S)											
	0.087	0.250	0.087	0.250	0.087			AIR		CL	P1-S	N,S
	U-Factor 0.38			SHGC (N / <1) 0.57 / 0.51				VT (N / <1) 0.60 / 0.54			CR 54	
8	142.094 SH / Opt 1 (No Refo, No Foam): clr / air / clr / air / clr (SS/SS/SS) 3/4" IG (P1-S)											
	0.087	0.250	0.087	0.250	0.087			AIR		CL	P1-S	G,S
	U-Factor 0.39			SHGC (<1) 0.51				VT (<1) 0.54			CR 54	

**NFRC 100/200/500 Summary Sheet
Windgate/Belmont/Stormgate Single Hung**

ID	Pane Thickness 1	Gap Width 1	Pane Thickness 2	Gap Width 2	Pane Thickness 3	Gap Width 3	Pane Thickness 4	Gap Fill	Low-e (Surface#)	Tint	Spacer	Grid Type
	U-Factor			Solar Heat Gain Coefficient (SHGC) Grids (None / <1 / >=1)				Visible Transmittance (VT) Grids (None / <1 / >=1)			Condensation Resistance	
9	142.094 SH / Opt 1 (No Refo, No Foam): E270 / air / clr (SS/SS) 3/4" IG											
	0.087	0.563	0.087					AIR	0.037(#2)	CL	P1-S	N,G,S
	U-Factor 0.31			SHGC (N / <1) 0.30 / 0.27				VT (N / <1) 0.55 / 0.49			CR	58
	142.094 SH / Opt 1 (No Refo, No Foam): clr / air / E270 (SS/SS) 3/4" IG											
	0.087	0.563	0.087					AIR	0.037(#3)	CL	P1-S	N,G,S
	U-Factor 0.31			SHGC (N / <1) 0.37 / 0.33				VT (N / <1) 0.55 / 0.49			CR	58
10	142.094 SH / Opt 1 (No Refo, No Foam): E270 / arg / clr (SS/SS) 3/4" IG											
	0.087	0.563	0.087					ARG90	0.037(#2)	CL	P1-S	N,G,S
	U-Factor 0.28			SHGC (N / <1) 0.29 / 0.26				VT (N / <1) 0.55 / 0.49			CR	62
	142.094 SH / Opt 1 (No Refo, No Foam): clr / arg / E270 (SS/SS) 3/4" IG											
	0.087	0.563	0.087					ARG90	0.037(#3)	CL	P1-S	N,G,S
	U-Factor 0.28			SHGC (N / <1) 0.37 / 0.33				VT (N / <1) 0.55 / 0.49			CR	62
11	142.094 SH / Opt 1 (No Refo, No Foam): E270 / air / clr (DS/DS) 3/4" IG											
	0.118	0.500	0.118					AIR	0.037(#2)	CL	P1-S	N,G,S
	U-Factor 0.31			SHGC (N / <1) 0.30 / 0.27				VT (N / <1) 0.55 / 0.49			CR	57
	142.094 SH / Opt 1 (No Refo, No Foam): clr / air / E270 (DS/DS) 3/4" IG											
	0.118	0.500	0.118					AIR	0.037(#3)	CL	P1-S	N,G,S
	U-Factor 0.31			SHGC (N / <1) 0.36 / 0.33				VT (N / <1) 0.55 / 0.49			CR	57
12	142.094 SH / Opt 1 (No Refo, No Foam): E270 / arg / clr (DS/DS) 3/4" IG											
	0.118	0.500	0.118					ARG90	0.037(#2)	CL	P1-S	N,G,S
	U-Factor 0.28			SHGC (N / <1) 0.29 / 0.26				VT (N / <1) 0.55 / 0.49			CR	61
	142.094 SH / Opt 1 (No Refo, No Foam): clr / arg / E270 (DS/DS) 3/4" IG											
	0.118	0.500	0.118					ARG90	0.037(#3)	CL	P1-S	N,G,S
	U-Factor 0.28			SHGC (N / <1) 0.36 / 0.33				VT (N / <1) 0.55 / 0.49			CR	61
13	142.094 SH / Opt 1 (No Refo, No Foam): lami / arg / E270 (DS 090 DS/DS) 3/4" IG											
	0.264	0.345	0.118					ARG90	0.037(#3)	CL	P1-S	N,S
	U-Factor 0.30			SHGC (N / <1) 0.35 / 0.31				VT (N / <1) 0.54 / 0.48			CR	59
	142.094 SH / Opt 1 (No Refo, No Foam): E270 / arg / lami (DS/DS 090 DS) 3/4" IG											
	0.118	0.345	0.264					ARG90	0.037(#2)	CL	P1-S	N,S
	U-Factor 0.30			SHGC (N / <1) 0.29 / 0.26				VT (N / <1) 0.54 / 0.48			CR	59

**NFRC 100/200/500 Summary Sheet
Windgate/Belmont/Stormgate Single Hung**

ID	Pane Thickness 1	Gap Width 1	Pane Thickness 2	Gap Width 2	Pane Thickness 3	Gap Width 3	Pane Thickness 4	Gap Width 4	Gap Fill	Low-e (Surface#)	Tint	Spacer	Grid Type
	U-Factor			Solar Heat Gain Coefficient (SHGC) Grids (None / <1 / >=1)				Visible Transmittance (VT) Grids (None / <1 / >=1)			Condensation Resistance		
14	142.094 SH / Opt 1 (No Refo, No Foam): lami / arg / E270 (DS 090 DS/DS) 3/4" IG												
	0.264	0.345	0.118						ARG90	0.037(#3)	CL	P1-S	G,S
	U-Factor 0.31			SHGC (<1) 0.31				VT (<1) 0.48			CR 59		
	142.094 SH / Opt 1 (No Refo, No Foam): E270 / arg / lami (DS/DS 090 DS) 3/4" IG												
	0.118	0.345	0.264						ARG90	0.037(#2)	CL	P1-S	G,S
	U-Factor 0.31			SHGC (<1) 0.26				VT (<1) 0.48			CR 59		
15	142.094 SH / Opt 1 (No Refo, No Foam): E270 / arg / clr / arg / E270 (SS/SS/SS) 3/4" IG (P1-S)												
	0.087	0.250	0.087	0.250	0.087				ARG90	0.037(#2) / 0.037(#5)	CL	P1-S	N,S
	U-Factor 0.24			SHGC (N / <1) 0.25 / 0.23				VT (N / <1) 0.43 / 0.39			CR 69		
16	142.094 SH / Opt 1 (No Refo, No Foam): E270 / arg / clr / arg / E270 (SS/SS/SS) 3/4" IG (P1-S)												
	0.087	0.250	0.087	0.250	0.087				ARG90	0.037(#2) / 0.037(#5)	CL	P1-S	G,S
	U-Factor 0.25			SHGC (<1) 0.23				VT (<1) 0.39			CR 69		
17	142.094 SH / Opt 1 (No Refo, No Foam): E366 / air / clr (SS/SS) 3/4" IG												
	0.087	0.563	0.087						AIR	0.022(#2)	CL	P1-S	N,G,S
	U-Factor 0.31			SHGC (N / <1) 0.22 / 0.20				VT (N / <1) 0.51 / 0.46			CR 59		
	142.094 SH / Opt 1 (No Refo, No Foam): clr / air / E366 (SS/SS) 3/4" IG												
	0.087	0.563	0.087						AIR	0.022(#3)	CL	P1-S	N,G,S
	U-Factor 0.31			SHGC (N / <1) 0.31 / 0.28				VT (N / <1) 0.51 / 0.46			CR 59		
18	142.094 SH / Opt 1 (No Refo, No Foam): E366 / arg / clr (SS/SS) 3/4" IG												
	0.087	0.563	0.087						ARG90	0.022(#2)	CL	P1-S	N,G,S
	U-Factor 0.27			SHGC (N / <1) 0.22 / 0.20				VT (N / <1) 0.51 / 0.46			CR 63		
	142.094 SH / Opt 1 (No Refo, No Foam): clr / arg / E366 (SS/SS) 3/4" IG												
	0.087	0.563	0.087						ARG90	0.022(#3)	CL	P1-S	N,G,S
	U-Factor 0.27			SHGC (N / <1) 0.31 / 0.28				VT (N / <1) 0.51 / 0.46			CR 63		
19	142.094 SH / Opt 1 (No Refo, No Foam): E366 / air / clr (DS/DS) 3/4" IG												
	0.117	0.500	0.118						AIR	0.022(#2)	CL	P1-S	N,G,S
	U-Factor 0.31			SHGC (N / <1) 0.22 / 0.20				VT (N / <1) 0.51 / 0.45			CR 58		
	142.094 SH / Opt 1 (No Refo, No Foam): clr / air / E366 (DS/DS) 3/4" IG												
	0.118	0.500	0.117						AIR	0.022(#3)	CL	P1-S	N,G,S
	U-Factor 0.31			SHGC (N / <1) 0.30 / 0.28				VT (N / <1) 0.51 / 0.45			CR 58		

**NFRC 100/200/500 Summary Sheet
Windgate/Belmont/Stormgate Single Hung**

ID	Pane Thickness 1	Gap Width 1	Pane Thickness 2	Gap Width 2	Pane Thickness 3	Gap Width 3	Pane Thickness 4	Gap Fill	Low-e (Surface#)	Tint	Spacer	Grid Type
	U-Factor			Solar Heat Gain Coefficient (SHGC) Grids (None / <1 / >=1)				Visible Transmittance (VT) Grids (None / <1 / >=1)			Condensation Resistance	
20	142.094 SH / Opt 1 (No Refo, No Foam): E366 / arg / clr (DS/DS) 3/4" IG											
	0.117	0.500	0.118					ARG90	0.022(#2)	CL	P1-S	N,G,S
	U-Factor 0.27			SHGC (N / <1) 0.22 / 0.20				VT (N / <1) 0.51 / 0.45			CR	62
	142.094 SH / Opt 1 (No Refo, No Foam): clr / arg / E366 (DS/DS) 3/4" IG											
	0.118	0.500	0.117					ARG90	0.022(#3)	CL	P1-S	N,G,S
	U-Factor 0.27			SHGC (N / <1) 0.31 / 0.28				VT (N / <1) 0.51 / 0.45			CR	62
21	142.094 SH / Opt 1 (No Refo, No Foam): lami / arg / E366 (DS 090 DS/DS) 3/4" IG											
	0.264	0.345	0.117					ARG90	0.022(#3)	CL	P1-S	N,S
	U-Factor 0.29			SHGC (N / <1) 0.29 / 0.27				VT (N / <1) 0.50 / 0.44			CR	60
	142.094 SH / Opt 1 (No Refo, No Foam): E366 / arg / lami (DS/DS 090 DS) 3/4" IG											
	0.117	0.345	0.264					ARG90	0.022(#2)	CL	P1-S	N,S
	U-Factor 0.29			SHGC (N / <1) 0.22 / 0.20				VT (N / <1) 0.50 / 0.44			CR	60
22	142.094 SH / Opt 1 (No Refo, No Foam): lami / arg / E366 (DS 090 DS/DS) 3/4" IG											
	0.264	0.345	0.117					ARG90	0.022(#3)	CL	P1-S	G,S
	U-Factor 0.31			SHGC (<1) 0.27				VT (<1) 0.44			CR	60
	142.094 SH / Opt 1 (No Refo, No Foam): E366 / arg / lami (DS/DS 090 DS) 3/4" IG											
	0.117	0.345	0.264					ARG90	0.022(#2)	CL	P1-S	G,S
	U-Factor 0.31			SHGC (<1) 0.20				VT (<1) 0.44			CR	60
23	142.094 SH / Opt 1 (No Refo, No Foam): E366 / arg / clr / arg / E366 (SS/SS/SS) 3/4" IG (P1-S)											
	0.087	0.250	0.087	0.250	0.087			ARG90	0.022(#2) / 0.022(#5)	CL	P1-S	N,S
	U-Factor 0.23			SHGC (N / <1) 0.19 / 0.17				VT (N / <1) 0.37 / 0.33			CR	70
24	142.094 SH / Opt 1 (No Refo, No Foam): E366 / arg / clr / arg / E366 (SS/SS/SS) 3/4" IG (P1-S)											
	0.087	0.250	0.087	0.250	0.087			ARG90	0.022(#2) / 0.022(#5)	CL	P1-S	G,S
	U-Factor 0.24			SHGC (<1) 0.17				VT (<1) 0.33			CR	70
25	142.094 SH / Opt 1 (No Refo, No Foam): 70/36 / air / clr (SS/SS) 3/4" IG											
	0.090	0.563	0.090					AIR	0.036(#2)	CL	P1-S	N,G,S
	U-Factor 0.31			SHGC (N / <1) 0.31 / 0.28				VT (N / <1) 0.55 / 0.49			CR	58
	142.094 SH / Opt 1 (No Refo, No Foam): clr / air / 70/36 (SS/SS) 3/4" IG											
	0.090	0.563	0.090					AIR	0.036(#3)	CL	P1-S	N,G,S
	U-Factor 0.31			SHGC (N / <1) 0.39 / 0.35				VT (N / <1) 0.55 / 0.49			CR	58

NFRC 100/200/500 Summary Sheet Windgate/Belmont/Stormgate Single Hung

ID	Pane Thickness 1	Gap Width 1	Pane Thickness 2	Gap Width 2	Pane Thickness 3	Gap Width 3	Pane Thickness 4	Gap Width 4	Gap Fill	Low-e (Surface#)	Tint	Spacer	Grid Type
	U-Factor			Solar Heat Gain Coefficient (SHGC) Grids (None / <1 / >=1)				Visible Transmittance (VT) Grids (None / <1 / >=1)			Condensation Resistance		
26	142.094 SH / Opt 1 (No Refo, No Foam): 70/36 / arg / clr (SS/SS) 3/4" IG												
	0.090	0.563	0.090						ARG90	0.036(#2)	CL	P1-S	N,G,S
	U-Factor 0.28			SHGC (N / <1) 0.31 / 0.28				VT (N / <1) 0.55 / 0.49			CR 62		
27	142.094 SH / Opt 1 (No Refo, No Foam): clr / arg / 70/36 (SS/SS) 3/4" IG												
	0.090	0.563	0.090						ARG90	0.036(#3)	CL	P1-S	N,G,S
	U-Factor 0.28			SHGC (N / <1) 0.39 / 0.35				VT (N / <1) 0.55 / 0.49			CR 62		
28	142.094 SH / Opt 1 (No Refo, No Foam): 70/36 / air / clr (DS/DS) 3/4" IG												
	0.117	0.500	0.117						AIR	0.036(#2)	CL	P1-S	N,G,S
	U-Factor 0.31			SHGC (N / <1) 0.31 / 0.28				VT (N / <1) 0.55 / 0.49			CR 57		
29	142.094 SH / Opt 1 (No Refo, No Foam): clr / air / 70/36 (DS/DS) 3/4" IG												
	0.117	0.500	0.117						AIR	0.036(#3)	CL	P1-S	N,G,S
	U-Factor 0.31			SHGC (N / <1) 0.38 / 0.34				VT (N / <1) 0.55 / 0.49			CR 57		
30	142.094 SH / Opt 1 (No Refo, No Foam): 70/36 / arg / clr (DS/DS) 3/4" IG												
	0.117	0.500	0.117						ARG90	0.036(#2)	CL	P1-S	N,G,S
	U-Factor 0.28			SHGC (N / <1) 0.30 / 0.27				VT (N / <1) 0.55 / 0.49			CR 61		
29	142.094 SH / Opt 1 (No Refo, No Foam): clr / arg / 70/36 (DS/DS) 3/4" IG												
	0.117	0.500	0.117						ARG90	0.036(#3)	CL	P1-S	N,G,S
	U-Factor 0.28			SHGC (N / <1) 0.38 / 0.35				VT (N / <1) 0.55 / 0.49			CR 61		
29	142.094 SH / Opt 1 (No Refo, No Foam): lami / arg / 70/36 (DS 090 DS/DS) 3/4" IG												
	0.264	0.345	0.117						ARG90	0.036(#3)	CL	P1-S	N,S
	U-Factor 0.30			SHGC (N / <1) 0.36 / 0.33				VT (N / <1) 0.54 / 0.48			CR 59		
30	142.094 SH / Opt 1 (No Refo, No Foam): 70/36 / arg / lami (DS/DS 090 DS) 3/4" IG												
	0.117	0.345	0.264						ARG90	0.036(#2)	CL	P1-S	N,S
	U-Factor 0.30			SHGC (N / <1) 0.30 / 0.27				VT (N / <1) 0.54 / 0.48			CR 59		
30	142.094 SH / Opt 1 (No Refo, No Foam): lami / arg / 70/36 (DS 090 DS/DS) 3/4" IG												
	0.264	0.345	0.117						ARG90	0.036(#3)	CL	P1-S	G,S
	U-Factor 0.31			SHGC (<1) 0.33				VT (<1) 0.48			CR 59		
30	142.094 SH / Opt 1 (No Refo, No Foam): 70/36 / arg / lami (DS/DS 090 DS) 3/4" IG												
	0.117	0.345	0.264						ARG90	0.036(#2)	CL	P1-S	G,S
	U-Factor 0.31			SHGC (<1) 0.27				VT (<1) 0.48			CR 59		

**NFRC 100/200/500 Summary Sheet
Windgate/Belmont/Stormgate Single Hung**

ID	Pane Thickness 1	Gap Width 1	Pane Thickness 2	Gap Width 2	Pane Thickness 3	Gap Width 3	Pane Thickness 4	Gap Fill	Low-e (Surface#)	Tint	Spacer	Grid Type
	U-Factor			Solar Heat Gain Coefficient (SHGC) Grids (None / <1 / >=1)				Visible Transmittance (VT) Grids (None / <1 / >=1)			Condensation Resistance	
31	142.094 SH / Opt 1 (No Refo, No Foam): 70/36 / arg / clr / arg / 70/36 (SS/SS/SS) 3/4" IG											
	0.090	0.250	0.090	0.250	0.090			ARG90	0.036(#2) / 0.036(#5)	CL	P1-S	N,S
	U-Factor 0.24			SHGC (N / <1) 0.26 / 0.24				VT (N / <1) 0.43 / 0.39			CR 69	
32	142.094 SH / Opt 1 (No Refo, No Foam): 70/36 / arg / clr / arg / 70/36 (SS/SS/SS) 3/4" IG											
	0.090	0.250	0.090	0.250	0.090			ARG90	0.036(#2) / 0.036(#5)	CL	P1-S	G,S
	U-Factor 0.25			SHGC (<1) 0.24				VT (<1) 0.39			CR 69	
33	142.094 SH / Opt 1 (No Refo, No Foam): 80/70 / air / clr (SS/SS) 3/4" IG											
	0.090	0.563	0.090					AIR	0.095(#2)	CL	P1-S	N,G,S
	U-Factor 0.33			SHGC (N / <1) 0.53 / 0.48				VT (N / <1) 0.64 / 0.57			CR 57	
	142.094 SH / Opt 1 (No Refo, No Foam): clr / air / 80/70 (SS/SS) 3/4" IG											
	0.090	0.563	0.090					AIR	0.095(#3)	CL	P1-S	N,G,S
	U-Factor 0.33			SHGC (N / <1) 0.56 / 0.50				VT (N / <1) 0.64 / 0.57			CR 57	
34	142.094 SH / Opt 1 (No Refo, No Foam): 80/70 / arg / clr (SS/SS) 3/4" IG											
	0.090	0.563	0.090					ARG90	0.095(#2)	CL	P1-S	N,G,S
	U-Factor 0.30			SHGC (N / <1) 0.53 / 0.48				VT (N / <1) 0.64 / 0.57			CR 61	
	142.094 SH / Opt 1 (No Refo, No Foam): clr / arg / 80/70 (SS/SS) 3/4" IG											
	0.090	0.563	0.090					ARG90	0.095(#3)	CL	P1-S	N,G,S
	U-Factor 0.30			SHGC (N / <1) 0.56 / 0.50				VT (N / <1) 0.64 / 0.57			CR 61	
35	142.094 SH / Opt 1 (No Refo, No Foam): 80/70 / air / clr (DS/DS) 3/4" IG											
	0.117	0.500	0.117					AIR	0.095(#2)	CL	P1-S	N,G,S
	U-Factor 0.33			SHGC (N / <1) 0.52 / 0.47				VT (N / <1) 0.63 / 0.57			CR 56	
	142.094 SH / Opt 1 (No Refo, No Foam): clr / air / 80/70 (DS/DS) 3/4" IG											
	0.117	0.500	0.117					AIR	0.095(#3)	CL	P1-S	N,G,S
	U-Factor 0.33			SHGC (N / <1) 0.55 / 0.50				VT (N / <1) 0.63 / 0.57			CR 56	
36	142.094 SH / Opt 1 (No Refo, No Foam): 80/70 / arg / clr (DS/DS) 3/4" IG											
	0.117	0.500	0.117					ARG90	0.095(#2)	CL	P1-S	N,G,S
	U-Factor 0.29			SHGC (N / <1) 0.52 / 0.47				VT (N / <1) 0.63 / 0.57			CR 60	
	142.094 SH / Opt 1 (No Refo, No Foam): clr / arg / 80/70 (DS/DS) 3/4" IG											
	0.117	0.500	0.117					ARG90	0.095(#3)	CL	P1-S	N,G,S
	U-Factor 0.29			SHGC (N / <1) 0.55 / 0.50				VT (N / <1) 0.63 / 0.57			CR 60	

**NFRC 100/200/500 Summary Sheet
Windgate/Belmont/Stormgate Single Hung**

ID	Pane Thickness 1	Gap Width 1	Pane Thickness 2	Gap Width 2	Pane Thickness 3	Gap Width 3	Pane Thickness 4	Gap Fill	Low-e (Surface#)	Tint	Spacer	Grid Type
	U-Factor			Solar Heat Gain Coefficient (SHGC) Grids (None / <1 / >=1)				Visible Transmittance (VT) Grids (None / <1 / >=1)			Condensation Resistance	
37	142.094 SH / Opt 1 (No Refo, No Foam): lami / arg / 80/70 (DS 090 DS/DS) 3/4" IG											
	0.264	0.345	0.117					ARG90	0.095(#3)	CL	P1-S	N,S
	U-Factor 0.31			SHGC (N / <1) 0.51 / 0.46				VT (N / <1) 0.62 / 0.56			CR 58	
	142.094 SH / Opt 1 (No Refo, No Foam): 80/70 / arg / lami (DS/DS 090 DS) 3/4" IG											
	0.117	0.345	0.264					ARG90	0.095(#2)	CL	P1-S	N,S
	U-Factor 0.31			SHGC (N / <1) 0.51 / 0.46				VT (N / <1) 0.62 / 0.56			CR 58	
38	142.094 SH / Opt 1 (No Refo, No Foam): lami / arg / 80/70 (DS 090 DS/DS) 3/4" IG											
	0.264	0.345	0.117					ARG90	0.095(#3)	CL	P1-S	G,S
	U-Factor 0.33			SHGC (<1) 0.46				VT (<1) 0.56			CR 58	
	142.094 SH / Opt 1 (No Refo, No Foam): 80/70 / arg / lami (DS/DS 090 DS) 3/4" IG											
	0.117	0.345	0.264					ARG90	0.095(#2)	CL	P1-S	G,S
	U-Factor 0.33			SHGC (<1) 0.46				VT (<1) 0.56			CR 58	
39	142.094 SH / Opt 1 (No Refo, No Foam): 80/70 / arg / clr / arg / 80/70 (SS/SS/SS) 3/4" IG											
	0.090	0.250	0.090	0.250	0.090			ARG90	0.095(#2) / 0.095(#5)	CL	P1-S	N,S
	U-Factor 0.25			SHGC (N / <1) 0.47 / 0.42				VT (N / <1) 0.58 / 0.51			CR 68	
40	142.094 SH / Opt 1 (No Refo, No Foam): 80/70 / arg / clr / arg / 80/70 (SS/SS/SS) 3/4" IG											
	0.090	0.250	0.090	0.250	0.090			ARG90	0.095(#2) / 0.095(#5)	CL	P1-S	G,S
	U-Factor 0.26			SHGC (<1) 0.42				VT (<1) 0.51			CR 68	
41	142.094 SH / Opt 1 (No Refo, No Foam): clr / air / clr (SS/SS) 3/4" IG											
	0.087	0.563	0.087					AIR		CL	SS-D	N,G,S
	U-Factor 0.46			SHGC (N / <1) 0.63 / 0.56				VT (N / <1) 0.65 / 0.58			CR 44	
42	142.094 SH / Opt 1 (No Refo, No Foam): clr / air / clr (DS/DS) 3/4" IG											
	0.118	0.500	0.118					AIR		CL	SS-D	N,G,S
	U-Factor 0.46			SHGC (N / <1) 0.61 / 0.55				VT (N / <1) 0.65 / 0.58			CR 44	
43	142.094 SH / Opt 1 (No Refo, No Foam): clr / air / clr (5mm/DS) 3/4" IG											
	0.185	0.438	0.118					AIR		CL	SS-D	N,G,S
	U-Factor 0.47			SHGC (N / <1) 0.59 / 0.53				VT (N / <1) 0.64 / 0.57			CR 44	
44	142.094 SH / Opt 1 (No Refo, No Foam): clr / air / clr (5mm/DS) 3/4" IG											
	0.185	0.438	0.118					AIR		CL	SS-D	G
	U-Factor 0.47			SHGC (<1) 0.53				VT (<1) 0.57			CR 43	

**NFRC 100/200/500 Summary Sheet
Windgate/Belmont/Stormgate Single Hung**

ID	Pane Thickness 1	Gap Width 1	Pane Thickness 2	Gap Width 2	Pane Thickness 3	Gap Width 3	Pane Thickness 4	Gap Fill	Low-e (Surface#)	Tint	Spacer	Grid Type
	U-Factor			Solar Heat Gain Coefficient (SHGC) Grids (None / <1 / >=1)				Visible Transmittance (VT) Grids (None / <1 / >=1)			Condensation Resistance	
45	142.094 SH / Opt 1 (No Refo, No Foam): lami / air / clr (DS 090 DS/DS) 3/4" IG											
	0.264	0.345	0.118					AIR		CL	SS-D	N,S
	U-Factor 0.48			SHGC (N / <1) 0.56 / 0.51				VT (N / <1) 0.63 / 0.57			CR 43	
	142.094 SH / Opt 1 (No Refo, No Foam): clr / air / lami (DS/DS 090 DS) 3/4" IG											
	0.118	0.345	0.264					AIR		CL	SS-D	N,S
	U-Factor 0.48			SHGC (N / <1) 0.59 / 0.53				VT (N / <1) 0.63 / 0.57			CR 43	
46	142.094 SH / Opt 1 (No Refo, No Foam): lami / air / clr (DS 090 DS/DS) 3/4" IG											
	0.264	0.345	0.118					AIR		CL	SS-D	G,S
	U-Factor 0.49			SHGC (<1) 0.51				VT (<1) 0.57			CR 43	
	142.094 SH / Opt 1 (No Refo, No Foam): clr / air / lami (DS/DS 090 DS) 3/4" IG											
	0.118	0.345	0.264					AIR		CL	SS-D	G,S
	U-Factor 0.49			SHGC (<1) 0.53				VT (<1) 0.57			CR 43	
47	142.094 SH / Opt 1 (No Refo, No Foam): clr / air / clr / air / clr (SS/SS/SS) 3/4" IG (P1-S)											
	0.087	0.250	0.087	0.250	0.087			AIR		CL	SS-D	N,S
	U-Factor 0.38			SHGC (N / <1) 0.57 / 0.51				VT (N / <1) 0.60 / 0.54			CR 54	
48	142.094 SH / Opt 1 (No Refo, No Foam): clr / air / clr / air / clr (SS/SS/SS) 3/4" IG (P1-S)											
	0.087	0.250	0.087	0.250	0.087			AIR		CL	SS-D	G,S
	U-Factor 0.39			SHGC (<1) 0.51				VT (<1) 0.54			CR 54	
49	142.094 SH / Opt 1 (No Refo, No Foam): E270 / air / clr (SS/SS) 3/4" IG											
	0.087	0.563	0.087					AIR	0.037(#2)	CL	SS-D	N,G,S
	U-Factor 0.32			SHGC (N / <1) 0.30 / 0.27				VT (N / <1) 0.55 / 0.49			CR 56	
	142.094 SH / Opt 1 (No Refo, No Foam): clr / air / E270 (SS/SS) 3/4" IG											
	0.087	0.563	0.087					AIR	0.037(#3)	CL	SS-D	N,G,S
	U-Factor 0.32			SHGC (N / <1) 0.37 / 0.33				VT (N / <1) 0.55 / 0.49			CR 56	
50	142.094 SH / Opt 1 (No Refo, No Foam): E270 / arg / clr (SS/SS) 3/4" IG											
	0.087	0.563	0.087					ARG90	0.037(#2)	CL	SS-D	N,G,S
	U-Factor 0.29			SHGC (N / <1) 0.29 / 0.26				VT (N / <1) 0.55 / 0.49			CR 59	
	142.094 SH / Opt 1 (No Refo, No Foam): clr / arg / E270 (SS/SS) 3/4" IG											
	0.087	0.563	0.087					ARG90	0.037(#3)	CL	SS-D	N,G,S
	U-Factor 0.29			SHGC (N / <1) 0.37 / 0.33				VT (N / <1) 0.55 / 0.49			CR 59	

NFRC 100/200/500 Summary Sheet Windgate/Belmont/Stormgate Single Hung

ID	Pane Thickness 1	Gap Width 1	Pane Thickness 2	Gap Width 2	Pane Thickness 3	Gap Width 3	Pane Thickness 4	Gap Fill	Low-e (Surface#)	Tint	Spacer	Grid Type
	U-Factor			Solar Heat Gain Coefficient (SHGC) Grids (None / <1 / >=1)				Visible Transmittance (VT) Grids (None / <1 / >=1)			Condensation Resistance	
51	142.094 SH / Opt 1 (No Refo, No Foam): E270 / air / clr (DS/DS) 3/4" IG											
	0.118	0.500	0.118					AIR	0.037(#2)	CL	SS-D	N,G,S
	U-Factor 0.32			SHGC (N / <1) 0.30 / 0.27				VT (N / <1) 0.55 / 0.49			CR 55	
52	142.094 SH / Opt 1 (No Refo, No Foam): clr / air / E270 (DS/DS) 3/4" IG											
	0.118	0.500	0.118					AIR	0.037(#3)	CL	SS-D	N,G,S
	U-Factor 0.32			SHGC (N / <1) 0.36 / 0.33				VT (N / <1) 0.55 / 0.49			CR 55	
53	142.094 SH / Opt 1 (No Refo, No Foam): E270 / arg / clr (DS/DS) 3/4" IG											
	0.118	0.500	0.118					ARG90	0.037(#2)	CL	SS-D	N,G,S
	U-Factor 0.29			SHGC (N / <1) 0.29 / 0.26				VT (N / <1) 0.55 / 0.49			CR 59	
53	142.094 SH / Opt 1 (No Refo, No Foam): clr / arg / E270 (DS/DS) 3/4" IG											
	0.118	0.500	0.118					ARG90	0.037(#3)	CL	SS-D	N,G,S
	U-Factor 0.29			SHGC (N / <1) 0.36 / 0.33				VT (N / <1) 0.55 / 0.49			CR 59	
54	142.094 SH / Opt 1 (No Refo, No Foam): lami / arg / E270 (DS 090 DS/DS) 3/4" IG											
	0.264	0.345	0.118					ARG90	0.037(#3)	CL	SS-D	N,S
	U-Factor 0.31			SHGC (N / <1) 0.35 / 0.31				VT (N / <1) 0.54 / 0.48			CR 56	
54	142.094 SH / Opt 1 (No Refo, No Foam): E270 / arg / lami (DS/DS 090 DS) 3/4" IG											
	0.118	0.345	0.264					ARG90	0.037(#2)	CL	SS-D	N,S
	U-Factor 0.31			SHGC (N / <1) 0.29 / 0.26				VT (N / <1) 0.54 / 0.48			CR 56	
55	142.094 SH / Opt 1 (No Refo, No Foam): lami / arg / E270 (DS 090 DS/DS) 3/4" IG											
	0.264	0.345	0.118					ARG90	0.037(#3)	CL	SS-D	G,S
	U-Factor 0.32			SHGC (<1) 0.31				VT (<1) 0.48			CR 56	
55	142.094 SH / Opt 1 (No Refo, No Foam): E270 / arg / lami (DS/DS 090 DS) 3/4" IG											
	0.118	0.345	0.264					ARG90	0.037(#2)	CL	SS-D	G,S
	U-Factor 0.32			SHGC (<1) 0.26				VT (<1) 0.48			CR 56	
56	142.094 SH / Opt 1 (No Refo, No Foam): E270 / arg / clr / arg / E270 (SS/SS/SS) 3/4" IG (SS-D)											
	0.087	0.266	0.087	0.266	0.087			ARG90	0.037(#2) / 0.037(#5)	CL	SS-D	N,S
	U-Factor 0.24			SHGC (N / <1) 0.25 / 0.23				VT (N / <1) 0.43 / 0.39			CR 67	
56	142.094 SH / Opt 1 (No Refo, No Foam): E270 / arg / clr / arg / E270 (SS/SS/SS) 3/4" IG (SS-D)											
	0.087	0.266	0.087	0.266	0.087			ARG90	0.037(#2) / 0.037(#5)	CL	SS-D	G,S
	U-Factor 0.25			SHGC (<1) 0.23				VT (<1) 0.39			CR 67	

**NFRC 100/200/500 Summary Sheet
Windgate/Belmont/Stormgate Single Hung**

ID	Pane Thickness 1	Gap Width 1	Pane Thickness 2	Gap Width 2	Pane Thickness 3	Gap Width 3	Pane Thickness 4	Gap Fill	Low-e (Surface#)	Tint	Spacer	Grid Type
	U-Factor			Solar Heat Gain Coefficient (SHGC) Grids (None / <1 / >=1)				Visible Transmittance (VT) Grids (None / <1 / >=1)			Condensation Resistance	
57	142.094 SH / Opt 1 (No Refo, No Foam): E366 / air / clr (SS/SS) 3/4" IG											
	0.087	0.563	0.087					AIR	0.022(#2)	CL	SS-D	N,G,S
	U-Factor 0.32			SHGC (N / <1) 0.22 / 0.20				VT (N / <1) 0.51 / 0.46			CR	56
	142.094 SH / Opt 1 (No Refo, No Foam): clr / air / E366 (SS/SS) 3/4" IG											
	0.087	0.563	0.087					AIR	0.022(#3)	CL	SS-D	N,G,S
	U-Factor 0.32			SHGC (N / <1) 0.31 / 0.28				VT (N / <1) 0.51 / 0.46			CR	56
58	142.094 SH / Opt 1 (No Refo, No Foam): E366 / arg / clr (SS/SS) 3/4" IG											
	0.087	0.563	0.087					ARG90	0.022(#2)	CL	SS-D	N,G,S
	U-Factor 0.28			SHGC (N / <1) 0.22 / 0.20				VT (N / <1) 0.51 / 0.46			CR	60
	142.094 SH / Opt 1 (No Refo, No Foam): clr / arg / E366 (SS/SS) 3/4" IG											
	0.087	0.563	0.087					ARG90	0.022(#3)	CL	SS-D	N,G,S
	U-Factor 0.28			SHGC (N / <1) 0.31 / 0.28				VT (N / <1) 0.51 / 0.46			CR	60
59	142.094 SH / Opt 1 (No Refo, No Foam): E366 / air / clr (DS/DS) 3/4" IG											
	0.117	0.500	0.118					AIR	0.022(#2)	CL	SS-D	N,G,S
	U-Factor 0.32			SHGC (N / <1) 0.22 / 0.20				VT (N / <1) 0.51 / 0.45			CR	55
	142.094 SH / Opt 1 (No Refo, No Foam): clr / air / E366 (DS/DS) 3/4" IG											
	0.118	0.500	0.117					AIR	0.022(#3)	CL	SS-D	N,G,S
	U-Factor 0.32			SHGC (N / <1) 0.30 / 0.28				VT (N / <1) 0.51 / 0.45			CR	55
60	142.094 SH / Opt 1 (No Refo, No Foam): E366 / arg / clr (DS/DS) 3/4" IG											
	0.117	0.500	0.118					ARG90	0.022(#2)	CL	SS-D	N,G,S
	U-Factor 0.28			SHGC (N / <1) 0.22 / 0.20				VT (N / <1) 0.51 / 0.45			CR	59
	142.094 SH / Opt 1 (No Refo, No Foam): clr / arg / E366 (DS/DS) 3/4" IG											
	0.118	0.500	0.117					ARG90	0.022(#3)	CL	SS-D	N,G,S
	U-Factor 0.28			SHGC (N / <1) 0.31 / 0.28				VT (N / <1) 0.51 / 0.45			CR	59
61	142.094 SH / Opt 1 (No Refo, No Foam): lami / arg / E366 (DS 090 DS/DS) 3/4" IG											
	0.264	0.345	0.117					ARG90	0.022(#3)	CL	SS-D	N,S
	U-Factor 0.30			SHGC (N / <1) 0.29 / 0.27				VT (N / <1) 0.50 / 0.44			CR	57
	142.094 SH / Opt 1 (No Refo, No Foam): E366 / arg / lami (DS/DS 090 DS) 3/4" IG											
	0.117	0.345	0.264					ARG90	0.022(#2)	CL	SS-D	N,S
	U-Factor 0.30			SHGC (N / <1) 0.22 / 0.20				VT (N / <1) 0.50 / 0.44			CR	57

**NFRC 100/200/500 Summary Sheet
Windgate/Belmont/Stormgate Single Hung**

ID	Pane Thickness 1	Gap Width 1	Pane Thickness 2	Gap Width 2	Pane Thickness 3	Gap Width 3	Pane Thickness 4	Gap Width 4	Gap Fill	Low-e (Surface#)	Tint	Spacer	Grid Type
	U-Factor			Solar Heat Gain Coefficient (SHGC) Grids (None / <1 / >=1)				Visible Transmittance (VT) Grids (None / <1 / >=1)			Condensation Resistance		
62	142.094 SH / Opt 1 (No Refo, No Foam): lami / arg / E366 (DS 090 DS/DS) 3/4" IG												
	0.264	0.345	0.117						ARG90	0.022(#3)	CL	SS-D	G,S
	U-Factor 0.32			SHGC (<1) 0.27				VT (<1) 0.44			CR 57		
	142.094 SH / Opt 1 (No Refo, No Foam): E366 / arg / lami (DS/DS 090 DS) 3/4" IG												
	0.117	0.345	0.264						ARG90	0.022(#2)	CL	SS-D	G,S
	U-Factor 0.32			SHGC (<1) 0.20				VT (<1) 0.44			CR 57		
63	142.094 SH / Opt 1 (No Refo, No Foam): E366 / arg / clr / arg / E366 (SS/SS/SS) 3/4" IG (SS-D)												
	0.087	0.266	0.087	0.266	0.087				ARG90	0.022(#2) / 0.022(#5)	CL	SS-D	N,S
	U-Factor 0.24			SHGC (N / <1) 0.19 / 0.17				VT (N / <1) 0.37 / 0.33			CR 67		
64	142.094 SH / Opt 1 (No Refo, No Foam): E366 / arg / clr / arg / E366 (SS/SS/SS) 3/4" IG (SS-D)												
	0.087	0.266	0.087	0.266	0.087				ARG90	0.022(#2) / 0.022(#5)	CL	SS-D	G,S
	U-Factor 0.24			SHGC (<1) 0.17				VT (<1) 0.33			CR 67		
65	142.094 SH / Opt 1 (No Refo, No Foam): clr / air / clr (SS/SS) 3/4" IG												
	0.087	0.563	0.087						AIR		CL	TS-D	N,G,S
	U-Factor 0.46			SHGC (N / <1) 0.63 / 0.56				VT (N / <1) 0.65 / 0.58			CR 44		
66	142.094 SH / Opt 1 (No Refo, No Foam): clr / air / clr (DS/DS) 3/4" IG												
	0.118	0.500	0.118						AIR		CL	TS-D	N,G,S
	U-Factor 0.46			SHGC (N / <1) 0.61 / 0.55				VT (N / <1) 0.65 / 0.58			CR 43		
67	142.094 SH / Opt 1 (No Refo, No Foam): clr / air / clr (5mm/DS) 3/4" IG												
	0.185	0.438	0.118						AIR		CL	TS-D	N,G,S
	U-Factor 0.47			SHGC (N / <1) 0.59 / 0.53				VT (N / <1) 0.64 / 0.57			CR 43		
68	142.094 SH / Opt 1 (No Refo, No Foam): clr / air / clr (5mm/DS) 3/4" IG												
	0.185	0.438	0.118						AIR		CL	TS-D	G
	U-Factor 0.47			SHGC (<1) 0.53				VT (<1) 0.57			CR 43		
69	142.094 SH / Opt 1 (No Refo, No Foam): lami / air / clr (DS 090 DS/DS) 3/4" IG												
	0.264	0.345	0.118						AIR		CL	TS-D	N,S
	U-Factor 0.48			SHGC (N / <1) 0.56 / 0.51				VT (N / <1) 0.63 / 0.57			CR 42		
	142.094 SH / Opt 1 (No Refo, No Foam): clr / air / lami (DS/DS 090 DS) 3/4" IG												
	0.118	0.345	0.264						AIR		CL	TS-D	N,S
	U-Factor 0.48			SHGC (N / <1) 0.59 / 0.53				VT (N / <1) 0.63 / 0.57			CR 42		

**NFRC 100/200/500 Summary Sheet
Windgate/Belmont/Stormgate Single Hung**

ID	Pane Thickness 1	Gap Width 1	Pane Thickness 2	Gap Width 2	Pane Thickness 3	Gap Width 3	Pane Thickness 4	Gap Width 4	Gap Fill	Low-e (Surface#)	Tint	Spacer	Grid Type
	U-Factor			Solar Heat Gain Coefficient (SHGC) Grids (None / <1 / >=1)					Visible Transmittance (VT) Grids (None / <1 / >=1)			Condensation Resistance	
70	142.094 SH / Opt 1 (No Refo, No Foam): lami / air / clr (DS 090 DS/DS) 3/4" IG												
	0.264	0.345	0.118						AIR		CL	TS-D	G,S
	U-Factor 0.49			SHGC (<1) 0.51					VT (<1) 0.57			CR 42	
	142.094 SH / Opt 1 (No Refo, No Foam): clr / air / lami (DS/DS 090 DS) 3/4" IG												
	0.118	0.345	0.264						AIR		CL	TS-D	G,S
	U-Factor 0.49			SHGC (<1) 0.53					VT (<1) 0.57			CR 42	
71	142.094 SH / Opt 1 (No Refo, No Foam): clr / air / clr / air / clr (SS/SS/SS) 3/4" IG (P1-S)												
	0.087	0.250	0.087	0.250	0.087				AIR		CL	TS-D	N,S
	U-Factor 0.39			SHGC (N / <1) 0.57 / 0.51					VT (N / <1) 0.60 / 0.54			CR 52	
72	142.094 SH / Opt 1 (No Refo, No Foam): clr / air / clr / air / clr (SS/SS/SS) 3/4" IG (P1-S)												
	0.087	0.250	0.087	0.250	0.087				AIR		CL	TS-D	G,S
	U-Factor 0.40			SHGC (<1) 0.51					VT (<1) 0.54			CR 52	
73	142.094 SH / Opt 1 (No Refo, No Foam): 70/36 / air / clr (SS/SS) 3/4" IG												
	0.090	0.563	0.090						AIR	0.036(#2)	CL	TS-D	N,G,S
	U-Factor 0.33			SHGC (N / <1) 0.31 / 0.28					VT (N / <1) 0.55 / 0.49			CR 55	
	142.094 SH / Opt 1 (No Refo, No Foam): clr / air / 70/36 (SS/SS) 3/4" IG												
	0.090	0.563	0.090						AIR	0.036(#3)	CL	TS-D	N,G,S
	U-Factor 0.33			SHGC (N / <1) 0.39 / 0.35					VT (N / <1) 0.55 / 0.49			CR 55	
74	142.094 SH / Opt 1 (No Refo, No Foam): 70/36 / arg / clr (SS/SS) 3/4" IG												
	0.090	0.563	0.090						ARG90	0.036(#2)	CL	TS-D	N,G,S
	U-Factor 0.29			SHGC (N / <1) 0.31 / 0.28					VT (N / <1) 0.55 / 0.49			CR 58	
	142.094 SH / Opt 1 (No Refo, No Foam): clr / arg / 70/36 (SS/SS) 3/4" IG												
	0.090	0.563	0.090						ARG90	0.036(#3)	CL	TS-D	N,G,S
	U-Factor 0.29			SHGC (N / <1) 0.39 / 0.35					VT (N / <1) 0.55 / 0.49			CR 58	
75	142.094 SH / Opt 1 (No Refo, No Foam): 70/36 / air / clr (DS/DS) 3/4" IG												
	0.117	0.500	0.117						AIR	0.036(#2)	CL	TS-D	N,G,S
	U-Factor 0.32			SHGC (N / <1) 0.31 / 0.28					VT (N / <1) 0.55 / 0.49			CR 54	
	142.094 SH / Opt 1 (No Refo, No Foam): clr / air / 70/36 (DS/DS) 3/4" IG												
	0.117	0.500	0.117						AIR	0.036(#3)	CL	TS-D	N,G,S
	U-Factor 0.32			SHGC (N / <1) 0.38 / 0.34					VT (N / <1) 0.55 / 0.49			CR 54	

**NFRC 100/200/500 Summary Sheet
Windgate/Belmont/Stormgate Single Hung**

ID	Pane Thickness 1	Gap Width 1	Pane Thickness 2	Gap Width 2	Pane Thickness 3	Gap Width 3	Pane Thickness 4	Gap Fill	Low-e (Surface#)	Tint	Spacer	Grid Type
	U-Factor			Solar Heat Gain Coefficient (SHGC) Grids (None / <1 / >=1)				Visible Transmittance (VT) Grids (None / <1 / >=1)			Condensation Resistance	
76	142.094 SH / Opt 1 (No Refo, No Foam): 70/36 / arg / clr (DS/DS) 3/4" IG											
	0.117	0.500	0.117					ARG90	0.036(#2)	CL	TS-D	N,G,S
	U-Factor 0.29			SHGC (N / <1) 0.30 / 0.27				VT (N / <1) 0.55 / 0.49			CR 57	
	142.094 SH / Opt 1 (No Refo, No Foam): clr / arg / 70/36 (DS/DS) 3/4" IG											
	0.117	0.500	0.117					ARG90	0.036(#3)	CL	TS-D	N,G,S
	U-Factor 0.29			SHGC (N / <1) 0.38 / 0.35				VT (N / <1) 0.55 / 0.49			CR 57	
77	142.094 SH / Opt 1 (No Refo, No Foam): lami / arg / 70/36 (DS 090 DS/DS) 3/4" IG											
	0.264	0.345	0.117					ARG90	0.036(#3)	CL	TS-D	N,S
	U-Factor 0.31			SHGC (N / <1) 0.36 / 0.33				VT (N / <1) 0.54 / 0.48			CR 55	
	142.094 SH / Opt 1 (No Refo, No Foam): 70/36 / arg / lami (DS/DS 090 DS) 3/4" IG											
	0.117	0.345	0.264					ARG90	0.036(#2)	CL	TS-D	N,S
	U-Factor 0.31			SHGC (N / <1) 0.30 / 0.27				VT (N / <1) 0.54 / 0.48			CR 55	
78	142.094 SH / Opt 1 (No Refo, No Foam): lami / arg / 70/36 (DS 090 DS/DS) 3/4" IG											
	0.264	0.345	0.117					ARG90	0.036(#3)	CL	TS-D	G,S
	U-Factor 0.32			SHGC (<1) 0.33				VT (<1) 0.48			CR 55	
	142.094 SH / Opt 1 (No Refo, No Foam): 70/36 / arg / lami (DS/DS 090 DS) 3/4" IG											
	0.117	0.345	0.264					ARG90	0.036(#2)	CL	TS-D	G,S
	U-Factor 0.32			SHGC (<1) 0.27				VT (<1) 0.48			CR 55	
79	142.094 SH / Opt 1 (No Refo, No Foam): 70/36 / arg / clr / arg / 70/36 (SS/SS/SS) 3/4" IG											
	0.090	0.250	0.090	0.250	0.090			ARG90	0.036(#2) / 0.036(#5)	CL	TS-D	N,S
	U-Factor 0.25			SHGC (N / <1) 0.26 / 0.24				VT (N / <1) 0.43 / 0.39			CR 64	
80	142.094 SH / Opt 1 (No Refo, No Foam): 70/36 / arg / clr / arg / 70/36 (SS/SS/SS) 3/4" IG											
	0.090	0.250	0.090	0.250	0.090			ARG90	0.036(#2) / 0.036(#5)	CL	TS-D	G,S
	U-Factor 0.26			SHGC (<1) 0.24				VT (<1) 0.39			CR 64	
81	142.094 SH / Opt 1 (No Refo, No Foam): 80/70 / air / clr (SS/SS) 3/4" IG											
	0.090	0.563	0.090					AIR	0.095(#2)	CL	TS-D	N,G,S
	U-Factor 0.34			SHGC (N / <1) 0.53 / 0.48				VT (N / <1) 0.64 / 0.57			CR 54	
	142.094 SH / Opt 1 (No Refo, No Foam): clr / air / 80/70 (SS/SS) 3/4" IG											
	0.090	0.563	0.090					AIR	0.095(#3)	CL	TS-D	N,G,S
	U-Factor 0.34			SHGC (N / <1) 0.56 / 0.50				VT (N / <1) 0.64 / 0.57			CR 54	

**NFRC 100/200/500 Summary Sheet
Windgate/Belmont/Stormgate Single Hung**

ID	Pane Thickness 1	Gap Width 1	Pane Thickness 2	Gap Width 2	Pane Thickness 3	Gap Width 3	Pane Thickness 4	Gap Fill	Low-e (Surface#)	Tint	Spacer	Grid Type
	U-Factor			Solar Heat Gain Coefficient (SHGC) Grids (None / <1 / >=1)				Visible Transmittance (VT) Grids (None / <1 / >=1)			Condensation Resistance	
82	142.094 SH / Opt 1 (No Refo, No Foam): 80/70 / arg / clr (SS/SS) 3/4" IG											
	0.090	0.563	0.090					ARG90	0.095(#2)	CL	TS-D	N,G,S
	U-Factor 0.31			SHGC (N / <1) 0.53 / 0.48				VT (N / <1) 0.64 / 0.57			CR 57	
	142.094 SH / Opt 1 (No Refo, No Foam): clr / arg / 80/70 (SS/SS) 3/4" IG											
	0.090	0.563	0.090					ARG90	0.095(#3)	CL	TS-D	N,G,S
	U-Factor 0.31			SHGC (N / <1) 0.56 / 0.50				VT (N / <1) 0.64 / 0.57			CR 57	
83	142.094 SH / Opt 1 (No Refo, No Foam): 80/70 / air / clr (DS/DS) 3/4" IG											
	0.117	0.500	0.117					AIR	0.095(#2)	CL	TS-D	N,G,S
	U-Factor 0.34			SHGC (N / <1) 0.52 / 0.47				VT (N / <1) 0.63 / 0.57			CR 52	
	142.094 SH / Opt 1 (No Refo, No Foam): clr / air / 80/70 (DS/DS) 3/4" IG											
	0.117	0.500	0.117					AIR	0.095(#3)	CL	TS-D	N,G,S
	U-Factor 0.34			SHGC (N / <1) 0.55 / 0.50				VT (N / <1) 0.63 / 0.57			CR 52	
84	142.094 SH / Opt 1 (No Refo, No Foam): 80/70 / arg / clr (DS/DS) 3/4" IG											
	0.117	0.500	0.117					ARG90	0.095(#2)	CL	TS-D	N,G,S
	U-Factor 0.31			SHGC (N / <1) 0.52 / 0.47				VT (N / <1) 0.63 / 0.57			CR 56	
	142.094 SH / Opt 1 (No Refo, No Foam): clr / arg / 80/70 (DS/DS) 3/4" IG											
	0.117	0.500	0.117					ARG90	0.095(#3)	CL	TS-D	N,G,S
	U-Factor 0.31			SHGC (N / <1) 0.55 / 0.50				VT (N / <1) 0.63 / 0.57			CR 56	
85	142.094 SH / Opt 1 (No Refo, No Foam): lami / arg / 80/70 (DS 090 DS/DS) 3/4" IG											
	0.264	0.345	0.117					ARG90	0.095(#3)	CL	TS-D	N,S
	U-Factor 0.33			SHGC (N / <1) 0.51 / 0.46				VT (N / <1) 0.62 / 0.56			CR 54	
	142.094 SH / Opt 1 (No Refo, No Foam): 80/70 / arg / lami (DS/DS 090 DS) 3/4" IG											
	0.117	0.345	0.264					ARG90	0.095(#2)	CL	TS-D	N,S
	U-Factor 0.33			SHGC (N / <1) 0.51 / 0.46				VT (N / <1) 0.62 / 0.56			CR 54	
86	142.094 SH / Opt 1 (No Refo, No Foam): lami / arg / 80/70 (DS 090 DS/DS) 3/4" IG											
	0.264	0.345	0.117					ARG90	0.095(#3)	CL	TS-D	G,S
	U-Factor 0.34			SHGC (<1) 0.46				VT (<1) 0.56			CR 54	
	142.094 SH / Opt 1 (No Refo, No Foam): 80/70 / arg / lami (DS/DS 090 DS) 3/4" IG											
	0.117	0.345	0.264					ARG90	0.095(#2)	CL	TS-D	G,S
	U-Factor 0.34			SHGC (<1) 0.46				VT (<1) 0.56			CR 54	

**NFRC 100/200/500 Summary Sheet
Windgate/Belmont/Stormgate Single Hung**

ID	Pane Thickness 1	Gap Width 1	Pane Thickness 2	Gap Width 2	Pane Thickness 3	Gap Width 3	Pane Thickness 4	Gap Fill	Low-e (Surface#)	Tint	Spacer	Grid Type
	U-Factor			Solar Heat Gain Coefficient (SHGC) Grids (None / <1 / >=1)				Visible Transmittance (VT) Grids (None / <1 / >=1)			Condensation Resistance	
87	142.094 SH / Opt 1 (No Refo, No Foam): 80/70 / arg / clr / arg / 80/70 (SS/SS/SS) 3/4" IG											
	0.090	0.250	0.090	0.250	0.090			ARG90	0.095(#2) / 0.095(#5)	CL	TS-D	N,S
	U-Factor 0.26			SHGC (N / <1) 0.47 / 0.42				VT (N / <1) 0.58 / 0.51			CR 63	
88	142.094 SH / Opt 1 (No Refo, No Foam): 80/70 / arg / clr / arg / 80/70 (SS/SS/SS) 3/4" IG											
	0.090	0.250	0.090	0.250	0.090			ARG90	0.095(#2) / 0.095(#5)	CL	TS-D	G,S
	U-Factor 0.27			SHGC (<1) 0.42				VT (<1) 0.51			CR 63	
89	142.094 SH / Opt 2 (ALU Refo LR/KR/BR, No Foam): clr / air / clr (SS/SS) 3/4" IG											
	0.087	0.563	0.087					AIR		CL	P1-S	N,G,S
	U-Factor 0.46			SHGC (N / <1) 0.63 / 0.56				VT (N / <1) 0.65 / 0.58			CR 45	
90	142.094 SH / Opt 2 (ALU Refo LR/KR/BR, No Foam): clr / air / clr (DS/DS) 3/4" IG											
	0.118	0.500	0.118					AIR		CL	P1-S	N,G,S
	U-Factor 0.46			SHGC (N / <1) 0.61 / 0.55				VT (N / <1) 0.65 / 0.58			CR 45	
91	142.094 SH / Opt 2 (ALU Refo LR/KR/BR, No Foam): clr / air / clr (5mm/DS) 3/4" IG											
	0.185	0.438	0.118					AIR		CL	P1-S	N,G,S
	U-Factor 0.47			SHGC (N / <1) 0.59 / 0.53				VT (N / <1) 0.64 / 0.57			CR 44	
92	142.094 SH / Opt 2 (ALU Refo LR/KR/BR, No Foam): clr / air / clr (5mm/DS) 3/4" IG											
	0.185	0.438	0.118					AIR		CL	P1-S	G
	U-Factor 0.47			SHGC (<1) 0.53				VT (<1) 0.57			CR 44	
93	142.094 SH / Opt 2 (ALU Refo LR/KR/BR, No Foam): lami / air / clr (DS 090 DS/DS) 3/4" IG											
	0.264	0.345	0.118					AIR		CL	P1-S	N,S
	U-Factor 0.48			SHGC (N / <1) 0.56 / 0.51				VT (N / <1) 0.63 / 0.57			CR 44	
94	142.094 SH / Opt 2 (ALU Refo LR/KR/BR, No Foam): lami / air / clr (DS 090 DS/DS) 3/4" IG											
	0.118	0.345	0.264					AIR		CL	P1-S	N,S
	U-Factor 0.48			SHGC (N / <1) 0.59 / 0.53				VT (N / <1) 0.63 / 0.57			CR 44	
94	142.094 SH / Opt 2 (ALU Refo LR/KR/BR, No Foam): lami / air / clr (DS 090 DS/DS) 3/4" IG											
	0.264	0.345	0.118					AIR		CL	P1-S	G,S
	U-Factor 0.49			SHGC (<1) 0.51				VT (<1) 0.57			CR 44	
	142.094 SH / Opt 2 (ALU Refo LR/KR/BR, No Foam): clr / air / lami (DS/DS 090 DS) 3/4" IG											
	0.118	0.345	0.264					AIR		CL	P1-S	G,S
	U-Factor 0.49			SHGC (<1) 0.53				VT (<1) 0.57			CR 44	

**NFRC 100/200/500 Summary Sheet
Windgate/Belmont/Stormgate Single Hung**

ID	Pane Thickness 1	Gap Width 1	Pane Thickness 2	Gap Width 2	Pane Thickness 3	Gap Width 3	Pane Thickness 4	Gap Fill	Low-e (Surface#)	Tint	Spacer	Grid Type
	U-Factor			Solar Heat Gain Coefficient (SHGC) Grids (None / <1 / >=1)				Visible Transmittance (VT) Grids (None / <1 / >=1)			Condensation Resistance	
95	142.094 SH / Opt 2 (ALU Refo LR/KR/BR, No Foam): clr / air / clr / air / clr (SS/SS/SS) 3/4" IG (P1-S)											
	0.087	0.250	0.087	0.250	0.087			AIR		CL	P1-S	N,S
	U-Factor 0.38			SHGC (N / <1) 0.57 / 0.51				VT (N / <1) 0.60 / 0.54			CR 54	
96	142.094 SH / Opt 2 (ALU Refo LR/KR/BR, No Foam): clr / air / clr / air / clr (SS/SS/SS) 3/4" IG (P1-S)											
	0.087	0.250	0.087	0.250	0.087			AIR		CL	P1-S	G,S
	U-Factor 0.39			SHGC (<1) 0.51				VT (<1) 0.54			CR 54	
97	142.094 SH / Opt 2 (ALU Refo LR/KR/BR, No Foam): E270 / air / clr (SS/SS) 3/4" IG											
	0.087	0.563	0.087					AIR	0.037(#2)	CL	P1-S	N,G,S
	U-Factor 0.32			SHGC (N / <1) 0.30 / 0.27				VT (N / <1) 0.55 / 0.49			CR 57	
	142.094 SH / Opt 2 (ALU Refo LR/KR/BR, No Foam): clr / air / E270 (SS/SS) 3/4" IG											
	0.087	0.563	0.087					AIR	0.037(#3)	CL	P1-S	N,G,S
	U-Factor 0.32			SHGC (N / <1) 0.37 / 0.33				VT (N / <1) 0.55 / 0.49			CR 57	
98	142.094 SH / Opt 2 (ALU Refo LR/KR/BR, No Foam): E270 / arg / clr (SS/SS) 3/4" IG											
	0.087	0.563	0.087					ARG90	0.037(#2)	CL	P1-S	N,G,S
	U-Factor 0.29			SHGC (N / <1) 0.29 / 0.26				VT (N / <1) 0.55 / 0.49			CR 61	
	142.094 SH / Opt 2 (ALU Refo LR/KR/BR, No Foam): clr / arg / E270 (SS/SS) 3/4" IG											
	0.087	0.563	0.087					ARG90	0.037(#3)	CL	P1-S	N,G,S
	U-Factor 0.29			SHGC (N / <1) 0.37 / 0.33				VT (N / <1) 0.55 / 0.49			CR 61	
99	142.094 SH / Opt 2 (ALU Refo LR/KR/BR, No Foam): E270 / air / clr (DS/DS) 3/4" IG											
	0.118	0.500	0.118					AIR	0.037(#2)	CL	P1-S	N,G,S
	U-Factor 0.32			SHGC (N / <1) 0.30 / 0.27				VT (N / <1) 0.55 / 0.49			CR 57	
	142.094 SH / Opt 2 (ALU Refo LR/KR/BR, No Foam): clr / air / E270 (DS/DS) 3/4" IG											
	0.118	0.500	0.118					AIR	0.037(#3)	CL	P1-S	N,G,S
	U-Factor 0.32			SHGC (N / <1) 0.36 / 0.33				VT (N / <1) 0.55 / 0.49			CR 57	
100	142.094 SH / Opt 2 (ALU Refo LR/KR/BR, No Foam): E270 / arg / clr (DS/DS) 3/4" IG											
	0.118	0.500	0.118					ARG90	0.037(#2)	CL	P1-S	N,G,S
	U-Factor 0.28			SHGC (N / <1) 0.29 / 0.26				VT (N / <1) 0.55 / 0.49			CR 60	
	142.094 SH / Opt 2 (ALU Refo LR/KR/BR, No Foam): clr / arg / E270 (DS/DS) 3/4" IG											
	0.118	0.500	0.118					ARG90	0.037(#3)	CL	P1-S	N,G,S
	U-Factor 0.28			SHGC (N / <1) 0.36 / 0.33				VT (N / <1) 0.55 / 0.49			CR 60	

**NFRC 100/200/500 Summary Sheet
Windgate/Belmont/Stormgate Single Hung**

ID	Pane Thickness 1	Gap Width 1	Pane Thickness 2	Gap Width 2	Pane Thickness 3	Gap Width 3	Pane Thickness 4	Gap Width 4	Gap Fill	Low-e (Surface#)	Tint	Spacer	Grid Type
	U-Factor			Solar Heat Gain Coefficient (SHGC) Grids (None / <1 / >=1)				Visible Transmittance (VT) Grids (None / <1 / >=1)			Condensation Resistance		
101	142.094 SH / Opt 2 (ALU Refo LR/KR/BR, No Foam): lami / arg / E270 (DS 090 DS/DS) 3/4" IG												
	0.264	0.345	0.118						ARG90	0.037(#3)	CL	P1-S	N,S
	U-Factor 0.30			SHGC (N / <1) 0.35 / 0.31				VT (N / <1) 0.54 / 0.48			CR 59		
	142.094 SH / Opt 2 (ALU Refo LR/KR/BR, No Foam): E270 / arg / lami (DS/DS 090 DS) 3/4" IG												
	0.118	0.345	0.264						ARG90	0.037(#2)	CL	P1-S	N,S
	U-Factor 0.30			SHGC (N / <1) 0.29 / 0.26				VT (N / <1) 0.54 / 0.48			CR 59		
102	142.094 SH / Opt 2 (ALU Refo LR/KR/BR, No Foam): lami / arg / E270 (DS 090 DS/DS) 3/4" IG												
	0.264	0.345	0.118						ARG90	0.037(#3)	CL	P1-S	G,S
	U-Factor 0.32			SHGC (<1) 0.31				VT (<1) 0.48			CR 58		
	142.094 SH / Opt 2 (ALU Refo LR/KR/BR, No Foam): E270 / arg / lami (DS/DS 090 DS) 3/4" IG												
	0.118	0.345	0.264						ARG90	0.037(#2)	CL	P1-S	G,S
	U-Factor 0.32			SHGC (<1) 0.26				VT (<1) 0.48			CR 58		
103	142.094 SH / Opt 2 (ALU Refo LR/KR/BR, No Foam): E270 / arg / clr / arg / E270 (SS/SS/SS) 3/4" IG (P1-S)												
	0.087	0.250	0.087	0.250	0.087				ARG90	0.037(#2) / 0.037(#5)	CL	P1-S	N,S
	U-Factor 0.24			SHGC (N / <1) 0.25 / 0.23				VT (N / <1) 0.43 / 0.39			CR 67		
104	142.094 SH / Opt 2 (ALU Refo LR/KR/BR, No Foam): E270 / arg / clr / arg / E270 (SS/SS/SS) 3/4" IG (P1-S)												
	0.087	0.250	0.087	0.250	0.087				ARG90	0.037(#2) / 0.037(#5)	CL	P1-S	G,S
	U-Factor 0.25			SHGC (<1) 0.23				VT (<1) 0.39			CR 67		
105	142.094 SH / Opt 2 (ALU Refo LR/KR/BR, No Foam): E366 / air / clr (SS/SS) 3/4" IG												
	0.087	0.563	0.087						AIR	0.022(#2)	CL	P1-S	N,G,S
	U-Factor 0.32			SHGC (N / <1) 0.22 / 0.20				VT (N / <1) 0.51 / 0.46			CR 58		
	142.094 SH / Opt 2 (ALU Refo LR/KR/BR, No Foam): clr / air / E366 (SS/SS) 3/4" IG												
	0.087	0.563	0.087						AIR	0.022(#3)	CL	P1-S	N,G,S
	U-Factor 0.32			SHGC (N / <1) 0.31 / 0.28				VT (N / <1) 0.51 / 0.46			CR 58		
106	142.094 SH / Opt 2 (ALU Refo LR/KR/BR, No Foam): E366 / arg / clr (SS/SS) 3/4" IG												
	0.087	0.563	0.087						ARG90	0.022(#2)	CL	P1-S	N,G,S
	U-Factor 0.28			SHGC (N / <1) 0.22 / 0.20				VT (N / <1) 0.51 / 0.46			CR 62		
	142.094 SH / Opt 2 (ALU Refo LR/KR/BR, No Foam): clr / arg / E366 (SS/SS) 3/4" IG												
	0.087	0.563	0.087						ARG90	0.022(#3)	CL	P1-S	N,G,S
	U-Factor 0.28			SHGC (N / <1) 0.31 / 0.28				VT (N / <1) 0.51 / 0.46			CR 62		

**NFRC 100/200/500 Summary Sheet
Windgate/Belmont/Stormgate Single Hung**

ID	Pane Thickness 1	Gap Width 1	Pane Thickness 2	Gap Width 2	Pane Thickness 3	Gap Width 3	Pane Thickness 4	Gap Fill	Low-e (Surface#)	Tint	Spacer	Grid Type
	U-Factor			Solar Heat Gain Coefficient (SHGC) Grids (None / <1 / >=1)				Visible Transmittance (VT) Grids (None / <1 / >=1)			Condensation Resistance	
107	142.094 SH / Opt 2 (ALU Refo LR/KR/BR, No Foam): E366 / air / clr (DS/DS) 3/4" IG											
	0.117	0.500	0.118					AIR	0.022(#2)	CL	P1-S	N,G,S
	U-Factor 0.31			SHGC (N / <1) 0.22 / 0.20				VT (N / <1) 0.51 / 0.45			CR 57	
	142.094 SH / Opt 2 (ALU Refo LR/KR/BR, No Foam): clr / air / E366 (DS/DS) 3/4" IG											
	0.118	0.500	0.117					AIR	0.022(#3)	CL	P1-S	N,G,S
	U-Factor 0.31			SHGC (N / <1) 0.30 / 0.28				VT (N / <1) 0.51 / 0.45			CR 57	
108	142.094 SH / Opt 2 (ALU Refo LR/KR/BR, No Foam): E366 / arg / clr (DS/DS) 3/4" IG											
	0.117	0.500	0.118					ARG90	0.022(#2)	CL	P1-S	N,G,S
	U-Factor 0.28			SHGC (N / <1) 0.22 / 0.20				VT (N / <1) 0.51 / 0.45			CR 61	
	142.094 SH / Opt 2 (ALU Refo LR/KR/BR, No Foam): clr / arg / E366 (DS/DS) 3/4" IG											
	0.118	0.500	0.117					ARG90	0.022(#3)	CL	P1-S	N,G,S
	U-Factor 0.28			SHGC (N / <1) 0.31 / 0.28				VT (N / <1) 0.51 / 0.45			CR 61	
109	142.094 SH / Opt 2 (ALU Refo LR/KR/BR, No Foam): lami / arg / E366 (DS 090 DS/DS) 3/4" IG											
	0.264	0.345	0.117					ARG90	0.022(#3)	CL	P1-S	N,S
	U-Factor 0.30			SHGC (N / <1) 0.29 / 0.27				VT (N / <1) 0.50 / 0.44			CR 59	
	142.094 SH / Opt 2 (ALU Refo LR/KR/BR, No Foam): E366 / arg / lami (DS/DS 090 DS) 3/4" IG											
	0.117	0.345	0.264					ARG90	0.022(#2)	CL	P1-S	N,S
	U-Factor 0.30			SHGC (N / <1) 0.22 / 0.20				VT (N / <1) 0.50 / 0.44			CR 59	
110	142.094 SH / Opt 2 (ALU Refo LR/KR/BR, No Foam): lami / arg / E366 (DS 090 DS/DS) 3/4" IG											
	0.264	0.345	0.117					ARG90	0.022(#3)	CL	P1-S	G,S
	U-Factor 0.31			SHGC (<1) 0.27				VT (<1) 0.44			CR 59	
	142.094 SH / Opt 2 (ALU Refo LR/KR/BR, No Foam): E366 / arg / lami (DS/DS 090 DS) 3/4" IG											
	0.117	0.345	0.264					ARG90	0.022(#2)	CL	P1-S	G,S
	U-Factor 0.31			SHGC (<1) 0.20				VT (<1) 0.44			CR 59	
111	142.094 SH / Opt 2 (ALU Refo LR/KR/BR, No Foam): E366 / arg / clr / arg / E366 (SS/SS/SS) 3/4" IG (P1-S)											
	0.087	0.250	0.087	0.250	0.087			ARG90	0.022(#2) / 0.022(#5)	CL	P1-S	N,S
	U-Factor 0.24			SHGC (N / <1) 0.19 / 0.17				VT (N / <1) 0.37 / 0.33			CR 67	
112	142.094 SH / Opt 2 (ALU Refo LR/KR/BR, No Foam): E366 / arg / clr / arg / E366 (SS/SS/SS) 3/4" IG (P1-S)											
	0.087	0.250	0.087	0.250	0.087			ARG90	0.022(#2) / 0.022(#5)	CL	P1-S	G,S
	U-Factor 0.25			SHGC (<1) 0.17				VT (<1) 0.33			CR 67	

**NFRC 100/200/500 Summary Sheet
Windgate/Belmont/Stormgate Single Hung**

ID	Pane Thickness 1	Gap Width 1	Pane Thickness 2	Gap Width 2	Pane Thickness 3	Gap Width 3	Pane Thickness 4	Gap Fill	Low-e (Surface#)	Tint	Spacer	Grid Type
	U-Factor			Solar Heat Gain Coefficient (SHGC) Grids (None / <1 / >=1)				Visible Transmittance (VT) Grids (None / <1 / >=1)			Condensation Resistance	
113	142.094 SH / Opt 2 (ALU Refo LR/KR/BR, No Foam): 70/36 / air / clr (SS/SS) 3/4" IG											
	0.090	0.563	0.090					AIR	0.036(#2)	CL	P1-S	N,G,S
	U-Factor 0.32			SHGC (N / <1) 0.31 / 0.28				VT (N / <1) 0.55 / 0.49			CR	57
	142.094 SH / Opt 2 (ALU Refo LR/KR/BR, No Foam): clr / air / 70/36 (SS/SS) 3/4" IG											
	0.090	0.563	0.090					AIR	0.036(#3)	CL	P1-S	N,G,S
	U-Factor 0.32			SHGC (N / <1) 0.39 / 0.35				VT (N / <1) 0.55 / 0.49			CR	57
114	142.094 SH / Opt 2 (ALU Refo LR/KR/BR, No Foam): 70/36 / arg / clr (SS/SS) 3/4" IG											
	0.090	0.563	0.090					ARG90	0.036(#2)	CL	P1-S	N,G,S
	U-Factor 0.28			SHGC (N / <1) 0.31 / 0.28				VT (N / <1) 0.55 / 0.49			CR	61
	142.094 SH / Opt 2 (ALU Refo LR/KR/BR, No Foam): clr / arg / 70/36 (SS/SS) 3/4" IG											
	0.090	0.563	0.090					ARG90	0.036(#3)	CL	P1-S	N,G,S
	U-Factor 0.28			SHGC (N / <1) 0.39 / 0.35				VT (N / <1) 0.55 / 0.49			CR	61
115	142.094 SH / Opt 2 (ALU Refo LR/KR/BR, No Foam): 70/36 / air / clr (DS/DS) 3/4" IG											
	0.117	0.500	0.117					AIR	0.036(#2)	CL	P1-S	N,G,S
	U-Factor 0.32			SHGC (N / <1) 0.31 / 0.28				VT (N / <1) 0.55 / 0.49			CR	57
	142.094 SH / Opt 2 (ALU Refo LR/KR/BR, No Foam): clr / air / 70/36 (DS/DS) 3/4" IG											
	0.117	0.500	0.117					AIR	0.036(#3)	CL	P1-S	N,G,S
	U-Factor 0.32			SHGC (N / <1) 0.38 / 0.34				VT (N / <1) 0.55 / 0.49			CR	57
116	142.094 SH / Opt 2 (ALU Refo LR/KR/BR, No Foam): 70/36 / arg / clr (DS/DS) 3/4" IG											
	0.117	0.500	0.117					ARG90	0.036(#2)	CL	P1-S	N,G,S
	U-Factor 0.28			SHGC (N / <1) 0.30 / 0.27				VT (N / <1) 0.55 / 0.49			CR	61
	142.094 SH / Opt 2 (ALU Refo LR/KR/BR, No Foam): clr / arg / 70/36 (DS/DS) 3/4" IG											
	0.117	0.500	0.117					ARG90	0.036(#3)	CL	P1-S	N,G,S
	U-Factor 0.28			SHGC (N / <1) 0.38 / 0.35				VT (N / <1) 0.55 / 0.49			CR	61
117	142.094 SH / Opt 2 (ALU Refo LR/KR/BR, No Foam): lami / arg / 70/36 (DS 090 DS/DS) 3/4" IG											
	0.264	0.345	0.117					ARG90	0.036(#3)	CL	P1-S	N,S
	U-Factor 0.30			SHGC (N / <1) 0.36 / 0.33				VT (N / <1) 0.54 / 0.48			CR	59
	142.094 SH / Opt 2 (ALU Refo LR/KR/BR, No Foam): 70/36 / arg / lami (DS/DS 090 DS) 3/4" IG											
	0.117	0.345	0.264					ARG90	0.036(#2)	CL	P1-S	N,S
	U-Factor 0.30			SHGC (N / <1) 0.30 / 0.27				VT (N / <1) 0.54 / 0.48			CR	59

NFRC 100/200/500 Summary Sheet Windgate/Belmont/Stormgate Single Hung

ID	Pane Thickness 1	Gap Width 1	Pane Thickness 2	Gap Width 2	Pane Thickness 3	Gap Width 3	Pane Thickness 4	Gap Fill	Low-e (Surface#)	Tint	Spacer	Grid Type
	U-Factor			Solar Heat Gain Coefficient (SHGC) Grids (None / <1 / >=1)				Visible Transmittance (VT) Grids (None / <1 / >=1)			Condensation Resistance	
118	142.094 SH / Opt 2 (ALU Refo LR/KR/BR, No Foam): lami / arg / 70/36 (DS 090 DS/DS) 3/4" IG											
	0.264	0.345	0.117					ARG90	0.036(#3)	CL	P1-S	G,S
	U-Factor 0.32			SHGC (<1) 0.33				VT (<1) 0.48			CR 58	
	142.094 SH / Opt 2 (ALU Refo LR/KR/BR, No Foam): 70/36 / arg / lami (DS/DS 090 DS) 3/4" IG											
	0.117	0.345	0.264					ARG90	0.036(#2)	CL	P1-S	G,S
	U-Factor 0.32			SHGC (<1) 0.27				VT (<1) 0.48			CR 58	
119	142.094 SH / Opt 2 (ALU Refo LR/KR/BR, No Foam): 70/36 / arg / clr / arg / 70/36 (SS/SS/SS) 3/4" IG											
	0.090	0.250	0.090	0.250	0.090			ARG90	0.036(#2) / 0.036(#5)	CL	P1-S	N,S
	U-Factor 0.24			SHGC (N / <1) 0.26 / 0.24				VT (N / <1) 0.43 / 0.39			CR 67	
120	142.094 SH / Opt 2 (ALU Refo LR/KR/BR, No Foam): 70/36 / arg / clr / arg / 70/36 (SS/SS/SS) 3/4" IG											
	0.090	0.250	0.090	0.250	0.090			ARG90	0.036(#2) / 0.036(#5)	CL	P1-S	G,S
	U-Factor 0.25			SHGC (<1) 0.24				VT (<1) 0.39			CR 67	
121	142.094 SH / Opt 2 (ALU Refo LR/KR/BR, No Foam): 80/70 / air / clr (SS/SS) 3/4" IG											
	0.090	0.563	0.090					AIR	0.095(#2)	CL	P1-S	N,G,S
	U-Factor 0.34			SHGC (N / <1) 0.53 / 0.48				VT (N / <1) 0.64 / 0.57			CR 56	
	142.094 SH / Opt 2 (ALU Refo LR/KR/BR, No Foam): clr / air / 80/70 (SS/SS) 3/4" IG											
	0.090	0.563	0.090					AIR	0.095(#3)	CL	P1-S	N,G,S
	U-Factor 0.34			SHGC (N / <1) 0.56 / 0.50				VT (N / <1) 0.64 / 0.57			CR 56	
122	142.094 SH / Opt 2 (ALU Refo LR/KR/BR, No Foam): 80/70 / arg / clr (SS/SS) 3/4" IG											
	0.090	0.563	0.090					ARG90	0.095(#2)	CL	P1-S	N,G,S
	U-Factor 0.30			SHGC (N / <1) 0.53 / 0.48				VT (N / <1) 0.64 / 0.57			CR 60	
	142.094 SH / Opt 2 (ALU Refo LR/KR/BR, No Foam): clr / arg / 80/70 (SS/SS) 3/4" IG											
	0.090	0.563	0.090					ARG90	0.095(#3)	CL	P1-S	N,G,S
	U-Factor 0.30			SHGC (N / <1) 0.56 / 0.50				VT (N / <1) 0.64 / 0.57			CR 60	
123	142.094 SH / Opt 2 (ALU Refo LR/KR/BR, No Foam): 80/70 / air / clr (DS/DS) 3/4" IG											
	0.117	0.500	0.117					AIR	0.095(#2)	CL	P1-S	N,G,S
	U-Factor 0.33			SHGC (N / <1) 0.52 / 0.47				VT (N / <1) 0.63 / 0.57			CR 55	
	142.094 SH / Opt 2 (ALU Refo LR/KR/BR, No Foam): clr / air / 80/70 (DS/DS) 3/4" IG											
	0.117	0.500	0.117					AIR	0.095(#3)	CL	P1-S	N,G,S
	U-Factor 0.33			SHGC (N / <1) 0.55 / 0.50				VT (N / <1) 0.63 / 0.57			CR 55	

**NFRC 100/200/500 Summary Sheet
Windgate/Belmont/Stormgate Single Hung**

ID	Pane Thickness 1	Gap Width 1	Pane Thickness 2	Gap Width 2	Pane Thickness 3	Gap Width 3	Pane Thickness 4	Gap Fill	Low-e (Surface#)	Tint	Spacer	Grid Type
	U-Factor			Solar Heat Gain Coefficient (SHGC) Grids (None / <1 / >=1)				Visible Transmittance (VT) Grids (None / <1 / >=1)			Condensation Resistance	
124	142.094 SH / Opt 2 (ALU Refo LR/KR/BR, No Foam): 80/70 / arg / clr (DS/DS) 3/4" IG											
	0.117	0.500	0.117					ARG90	0.095(#2)	CL	P1-S	N,G,S
	U-Factor 0.30			SHGC (N / <1) 0.52 / 0.47				VT (N / <1) 0.63 / 0.57			CR	59
	142.094 SH / Opt 2 (ALU Refo LR/KR/BR, No Foam): clr / arg / 80/70 (DS/DS) 3/4" IG											
	0.117	0.500	0.117					ARG90	0.095(#3)	CL	P1-S	N,G,S
	U-Factor 0.30			SHGC (N / <1) 0.55 / 0.50				VT (N / <1) 0.63 / 0.57			CR	59
125	142.094 SH / Opt 2 (ALU Refo LR/KR/BR, No Foam): lami / arg / 80/70 (DS 090 DS/DS) 3/4" IG											
	0.264	0.345	0.117					ARG90	0.095(#3)	CL	P1-S	N,S
	U-Factor 0.32			SHGC (N / <1) 0.51 / 0.46				VT (N / <1) 0.62 / 0.56			CR	57
	142.094 SH / Opt 2 (ALU Refo LR/KR/BR, No Foam): 80/70 / arg / lami (DS/DS 090 DS) 3/4" IG											
	0.117	0.345	0.264					ARG90	0.095(#2)	CL	P1-S	N,S
	U-Factor 0.32			SHGC (N / <1) 0.51 / 0.46				VT (N / <1) 0.62 / 0.56			CR	57
126	142.094 SH / Opt 2 (ALU Refo LR/KR/BR, No Foam): lami / arg / 80/70 (DS 090 DS/DS) 3/4" IG											
	0.264	0.345	0.117					ARG90	0.095(#3)	CL	P1-S	G,S
	U-Factor 0.33			SHGC (<1) 0.46				VT (<1) 0.56			CR	57
	142.094 SH / Opt 2 (ALU Refo LR/KR/BR, No Foam): 80/70 / arg / lami (DS/DS 090 DS) 3/4" IG											
	0.117	0.345	0.264					ARG90	0.095(#2)	CL	P1-S	G,S
	U-Factor 0.33			SHGC (<1) 0.46				VT (<1) 0.56			CR	57
127	142.094 SH / Opt 2 (ALU Refo LR/KR/BR, No Foam): 80/70 / arg / clr / arg / 80/70 (SS/SS/SS) 3/4" IG											
	0.090	0.250	0.090	0.250	0.090			ARG90	0.095(#2) / 0.095(#5)	CL	P1-S	N,S
	U-Factor 0.26			SHGC (N / <1) 0.47 / 0.42				VT (N / <1) 0.58 / 0.51			CR	67
128	142.094 SH / Opt 2 (ALU Refo LR/KR/BR, No Foam): 80/70 / arg / clr / arg / 80/70 (SS/SS/SS) 3/4" IG											
	0.090	0.250	0.090	0.250	0.090			ARG90	0.095(#2) / 0.095(#5)	CL	P1-S	G,S
	U-Factor 0.26			SHGC (<1) 0.42				VT (<1) 0.51			CR	67
129	142.094 SH / Opt 2 (ALU Refo LR/KR/BR, No Foam): clr / air / clr (SS/SS) 3/4" IG											
	0.087	0.563	0.087					AIR		CL	SS-D	N,G,S
	U-Factor 0.47			SHGC (N / <1) 0.63 / 0.56				VT (N / <1) 0.65 / 0.58			CR	44
130	142.094 SH / Opt 2 (ALU Refo LR/KR/BR, No Foam): clr / air / clr (DS/DS) 3/4" IG											
	0.118	0.500	0.118					AIR		CL	SS-D	N,G,S
	U-Factor 0.47			SHGC (N / <1) 0.61 / 0.55				VT (N / <1) 0.65 / 0.58			CR	44

**NFRC 100/200/500 Summary Sheet
Windgate/Belmont/Stormgate Single Hung**

ID	Pane Thickness 1	Gap Width 1	Pane Thickness 2	Gap Width 2	Pane Thickness 3	Gap Width 3	Pane Thickness 4	Gap Fill	Low-e (Surface#)	Tint	Spacer	Grid Type
	U-Factor			Solar Heat Gain Coefficient (SHGC) Grids (None / <1 / >=1)				Visible Transmittance (VT) Grids (None / <1 / >=1)			Condensation Resistance	
131	142.094 SH / Opt 2 (ALU Refo LR/KR/BR, No Foam): clr / air / clr (5mm/DS) 3/4" IG											
	0.185	0.438	0.118					AIR		CL	SS-D	N,G,S
	U-Factor 0.47			SHGC (N / <1) 0.59 / 0.53				VT (N / <1) 0.64 / 0.57			CR 43	
132	142.094 SH / Opt 2 (ALU Refo LR/KR/BR, No Foam): clr / air / clr (5mm/DS) 3/4" IG											
	0.185	0.438	0.118					AIR		CL	SS-D	G
	U-Factor 0.48			SHGC (<1) 0.53				VT (<1) 0.57			CR 43	
133	142.094 SH / Opt 2 (ALU Refo LR/KR/BR, No Foam): lami / air / clr (DS 090 DS/DS) 3/4" IG											
	0.264	0.345	0.118					AIR		CL	SS-D	N,S
	U-Factor 0.48			SHGC (N / <1) 0.56 / 0.51				VT (N / <1) 0.63 / 0.57			CR 42	
	142.094 SH / Opt 2 (ALU Refo LR/KR/BR, No Foam): clr / air / lami (DS/DS 090 DS) 3/4" IG											
	0.118	0.345	0.264					AIR		CL	SS-D	N,S
	U-Factor 0.48			SHGC (N / <1) 0.59 / 0.53				VT (N / <1) 0.63 / 0.57			CR 42	
134	142.094 SH / Opt 2 (ALU Refo LR/KR/BR, No Foam): lami / air / clr (DS 090 DS/DS) 3/4" IG											
	0.264	0.345	0.118					AIR		CL	SS-D	G,S
	U-Factor 0.49			SHGC (<1) 0.51				VT (<1) 0.57			CR 42	
	142.094 SH / Opt 2 (ALU Refo LR/KR/BR, No Foam): clr / air / lami (DS/DS 090 DS) 3/4" IG											
	0.118	0.345	0.264					AIR		CL	SS-D	G,S
	U-Factor 0.49			SHGC (<1) 0.53				VT (<1) 0.57			CR 42	
135	142.094 SH / Opt 2 (ALU Refo LR/KR/BR, No Foam): clr / air / clr / air / clr (SS/SS/SS) 3/4" IG (P1-S)											
	0.087	0.250	0.087	0.250	0.087			AIR		CL	SS-D	N,S
	U-Factor 0.39			SHGC (N / <1) 0.57 / 0.51				VT (N / <1) 0.60 / 0.54			CR 53	
136	142.094 SH / Opt 2 (ALU Refo LR/KR/BR, No Foam): clr / air / clr / air / clr (SS/SS/SS) 3/4" IG (P1-S)											
	0.087	0.250	0.087	0.250	0.087			AIR		CL	SS-D	G,S
	U-Factor 0.40			SHGC (<1) 0.51				VT (<1) 0.54			CR 53	
137	142.094 SH / Opt 2 (ALU Refo LR/KR/BR, No Foam): E270 / air / clr (SS/SS) 3/4" IG											
	0.087	0.563	0.087					AIR	0.037(#2)	CL	SS-D	N,G,S
	U-Factor 0.33			SHGC (N / <1) 0.30 / 0.27				VT (N / <1) 0.55 / 0.49			CR 55	
	142.094 SH / Opt 2 (ALU Refo LR/KR/BR, No Foam): clr / air / E270 (SS/SS) 3/4" IG											
	0.087	0.563	0.087					AIR	0.037(#3)	CL	SS-D	N,G,S
	U-Factor 0.33			SHGC (N / <1) 0.37 / 0.33				VT (N / <1) 0.55 / 0.49			CR 55	

**NFRC 100/200/500 Summary Sheet
Windgate/Belmont/Stormgate Single Hung**

ID	Pane Thickness 1	Gap Width 1	Pane Thickness 2	Gap Width 2	Pane Thickness 3	Gap Width 3	Pane Thickness 4	Gap Fill	Low-e (Surface#)	Tint	Spacer	Grid Type
	U-Factor			Solar Heat Gain Coefficient (SHGC) Grids (None / <1 / >=1)				Visible Transmittance (VT) Grids (None / <1 / >=1)			Condensation Resistance	
138	142.094 SH / Opt 2 (ALU Refo LR/KR/BR, No Foam): E270 / arg / clr (SS/SS) 3/4" IG											
	0.087	0.563	0.087					ARG90	0.037(#2)	CL	SS-D	N,G,S
	U-Factor 0.30			SHGC (N / <1) 0.29 / 0.26				VT (N / <1) 0.55 / 0.49			CR	59
	142.094 SH / Opt 2 (ALU Refo LR/KR/BR, No Foam): clr / arg / E270 (SS/SS) 3/4" IG											
	0.087	0.563	0.087					ARG90	0.037(#3)	CL	SS-D	N,G,S
	U-Factor 0.30			SHGC (N / <1) 0.37 / 0.33				VT (N / <1) 0.55 / 0.49			CR	59
139	142.094 SH / Opt 2 (ALU Refo LR/KR/BR, No Foam): E270 / air / clr (DS/DS) 3/4" IG											
	0.118	0.500	0.118					AIR	0.037(#2)	CL	SS-D	N,G,S
	U-Factor 0.33			SHGC (N / <1) 0.30 / 0.27				VT (N / <1) 0.55 / 0.49			CR	54
	142.094 SH / Opt 2 (ALU Refo LR/KR/BR, No Foam): clr / air / E270 (DS/DS) 3/4" IG											
	0.118	0.500	0.118					AIR	0.037(#3)	CL	SS-D	N,G,S
	U-Factor 0.33			SHGC (N / <1) 0.36 / 0.33				VT (N / <1) 0.55 / 0.49			CR	54
140	142.094 SH / Opt 2 (ALU Refo LR/KR/BR, No Foam): E270 / arg / clr (DS/DS) 3/4" IG											
	0.118	0.500	0.118					ARG90	0.037(#2)	CL	SS-D	N,G,S
	U-Factor 0.29			SHGC (N / <1) 0.29 / 0.26				VT (N / <1) 0.55 / 0.49			CR	58
	142.094 SH / Opt 2 (ALU Refo LR/KR/BR, No Foam): clr / arg / E270 (DS/DS) 3/4" IG											
	0.118	0.500	0.118					ARG90	0.037(#3)	CL	SS-D	N,G,S
	U-Factor 0.29			SHGC (N / <1) 0.36 / 0.33				VT (N / <1) 0.55 / 0.49			CR	58
141	142.094 SH / Opt 2 (ALU Refo LR/KR/BR, No Foam): lami / arg / E270 (DS 090 DS/DS) 3/4" IG											
	0.264	0.345	0.118					ARG90	0.037(#3)	CL	SS-D	N,S
	U-Factor 0.31			SHGC (N / <1) 0.35 / 0.31				VT (N / <1) 0.54 / 0.48			CR	56
	142.094 SH / Opt 2 (ALU Refo LR/KR/BR, No Foam): E270 / arg / lami (DS/DS 090 DS) 3/4" IG											
	0.118	0.345	0.264					ARG90	0.037(#2)	CL	SS-D	N,S
	U-Factor 0.31			SHGC (N / <1) 0.29 / 0.26				VT (N / <1) 0.54 / 0.48			CR	56
142	142.094 SH / Opt 2 (ALU Refo LR/KR/BR, No Foam): lami / arg / E270 (DS 090 DS/DS) 3/4" IG											
	0.264	0.345	0.118					ARG90	0.037(#3)	CL	SS-D	G,S
	U-Factor 0.33			SHGC (<1) 0.31				VT (<1) 0.48			CR	56
	142.094 SH / Opt 2 (ALU Refo LR/KR/BR, No Foam): E270 / arg / lami (DS/DS 090 DS) 3/4" IG											
	0.118	0.345	0.264					ARG90	0.037(#2)	CL	SS-D	G,S
	U-Factor 0.33			SHGC (<1) 0.26				VT (<1) 0.48			CR	56

**NFRC 100/200/500 Summary Sheet
Windgate/Belmont/Stormgate Single Hung**

ID	Pane Thickness 1	Gap Width 1	Pane Thickness 2	Gap Width 2	Pane Thickness 3	Gap Width 3	Pane Thickness 4	Gap Fill	Low-e (Surface#)	Tint	Spacer	Grid Type
	U-Factor			Solar Heat Gain Coefficient (SHGC) Grids (None / <1 / >=1)				Visible Transmittance (VT) Grids (None / <1 / >=1)			Condensation Resistance	
143	142.094 SH / Opt 2 (ALU Refo LR/KR/BR, No Foam): E270 / arg / clr / arg / E270 (SS/SS/SS) 3/4" IG (SS-D)											
	0.087	0.266	0.087	0.266	0.087			ARG90	0.037(#2) / 0.037(#5)	CL	SS-D	N,S
	U-Factor 0.25			SHGC (N / <1) 0.25 / 0.23				VT (N / <1) 0.43 / 0.39			CR 65	
144	142.094 SH / Opt 2 (ALU Refo LR/KR/BR, No Foam): E270 / arg / clr / arg / E270 (SS/SS/SS) 3/4" IG (SS-D)											
	0.087	0.266	0.087	0.266	0.087			ARG90	0.037(#2) / 0.037(#5)	CL	SS-D	G,S
	U-Factor 0.25			SHGC (<1) 0.23				VT (<1) 0.39			CR 65	
145	142.094 SH / Opt 2 (ALU Refo LR/KR/BR, No Foam): E366 / air / clr (SS/SS) 3/4" IG											
	0.087	0.563	0.087					AIR	0.022(#2)	CL	SS-D	N,G,S
	U-Factor 0.33			SHGC (N / <1) 0.22 / 0.20				VT (N / <1) 0.51 / 0.46			CR 55	
	142.094 SH / Opt 2 (ALU Refo LR/KR/BR, No Foam): clr / air / E366 (SS/SS) 3/4" IG											
	0.087	0.563	0.087					AIR	0.022(#3)	CL	SS-D	N,G,S
	U-Factor 0.33			SHGC (N / <1) 0.31 / 0.28				VT (N / <1) 0.51 / 0.46			CR 55	
146	142.094 SH / Opt 2 (ALU Refo LR/KR/BR, No Foam): E366 / arg / clr (SS/SS) 3/4" IG											
	0.087	0.563	0.087					ARG90	0.022(#2)	CL	SS-D	N,G,S
	U-Factor 0.29			SHGC (N / <1) 0.22 / 0.20				VT (N / <1) 0.51 / 0.46			CR 59	
	142.094 SH / Opt 2 (ALU Refo LR/KR/BR, No Foam): clr / arg / E366 (SS/SS) 3/4" IG											
	0.087	0.563	0.087					ARG90	0.022(#3)	CL	SS-D	N,G,S
	U-Factor 0.29			SHGC (N / <1) 0.31 / 0.28				VT (N / <1) 0.51 / 0.46			CR 59	
147	142.094 SH / Opt 2 (ALU Refo LR/KR/BR, No Foam): E366 / air / clr (DS/DS) 3/4" IG											
	0.117	0.500	0.118					AIR	0.022(#2)	CL	SS-D	N,G,S
	U-Factor 0.32			SHGC (N / <1) 0.22 / 0.20				VT (N / <1) 0.51 / 0.45			CR 55	
	142.094 SH / Opt 2 (ALU Refo LR/KR/BR, No Foam): clr / air / E366 (DS/DS) 3/4" IG											
	0.118	0.500	0.117					AIR	0.022(#3)	CL	SS-D	N,G,S
	U-Factor 0.32			SHGC (N / <1) 0.30 / 0.28				VT (N / <1) 0.51 / 0.45			CR 55	
148	142.094 SH / Opt 2 (ALU Refo LR/KR/BR, No Foam): E366 / arg / clr (DS/DS) 3/4" IG											
	0.117	0.500	0.118					ARG90	0.022(#2)	CL	SS-D	N,G,S
	U-Factor 0.29			SHGC (N / <1) 0.22 / 0.20				VT (N / <1) 0.51 / 0.45			CR 58	
	142.094 SH / Opt 2 (ALU Refo LR/KR/BR, No Foam): clr / arg / E366 (DS/DS) 3/4" IG											
	0.118	0.500	0.117					ARG90	0.022(#3)	CL	SS-D	N,G,S
	U-Factor 0.29			SHGC (N / <1) 0.31 / 0.28				VT (N / <1) 0.51 / 0.45			CR 58	

**NFRC 100/200/500 Summary Sheet
Windgate/Belmont/Stormgate Single Hung**

ID	Pane Thickness 1	Gap Width 1	Pane Thickness 2	Gap Width 2	Pane Thickness 3	Gap Width 3	Pane Thickness 4	Gap Width 4	Gap Fill	Low-e (Surface#)	Tint	Spacer	Grid Type
	U-Factor			Solar Heat Gain Coefficient (SHGC) Grids (None / <1 / >=1)				Visible Transmittance (VT) Grids (None / <1 / >=1)			Condensation Resistance		
149	142.094 SH / Opt 2 (ALU Refo LR/KR/BR, No Foam): lami / arg / E366 (DS 090 DS/DS) 3/4" IG												
	0.264	0.345	0.117						ARG90	0.022(#3)	CL	SS-D	N,S
	U-Factor 0.31			SHGC (N / <1) 0.29 / 0.27				VT (N / <1) 0.50 / 0.44			CR 56		
	142.094 SH / Opt 2 (ALU Refo LR/KR/BR, No Foam): E366 / arg / lami (DS/DS 090 DS) 3/4" IG												
	0.117	0.345	0.264						ARG90	0.022(#2)	CL	SS-D	N,S
	U-Factor 0.31			SHGC (N / <1) 0.22 / 0.20				VT (N / <1) 0.50 / 0.44			CR 56		
150	142.094 SH / Opt 2 (ALU Refo LR/KR/BR, No Foam): lami / arg / E366 (DS 090 DS/DS) 3/4" IG												
	0.264	0.345	0.117						ARG90	0.022(#3)	CL	SS-D	G,S
	U-Factor 0.32			SHGC (<1) 0.27				VT (<1) 0.44			CR 56		
	142.094 SH / Opt 2 (ALU Refo LR/KR/BR, No Foam): E366 / arg / lami (DS/DS 090 DS) 3/4" IG												
	0.117	0.345	0.264						ARG90	0.022(#2)	CL	SS-D	G,S
	U-Factor 0.32			SHGC (<1) 0.20				VT (<1) 0.44			CR 56		
151	142.094 SH / Opt 2 (ALU Refo LR/KR/BR, No Foam): E366 / arg / clr / arg / E366 (SS/SS/SS) 3/4" IG (SS-D)												
	0.087	0.266	0.087	0.266	0.087				ARG90	0.022(#2) / 0.022(#5)	CL	SS-D	N,S
	U-Factor 0.24			SHGC (N / <1) 0.19 / 0.17				VT (N / <1) 0.37 / 0.33			CR 65		
152	142.094 SH / Opt 2 (ALU Refo LR/KR/BR, No Foam): E366 / arg / clr / arg / E366 (SS/SS/SS) 3/4" IG (SS-D)												
	0.087	0.266	0.087	0.266	0.087				ARG90	0.022(#2) / 0.022(#5)	CL	SS-D	G,S
	U-Factor 0.25			SHGC (<1) 0.17				VT (<1) 0.33			CR 65		
153	142.094 SH / Opt 2 (ALU Refo LR/KR/BR, No Foam): clr / air / clr (SS/SS) 3/4" IG												
	0.087	0.563	0.087						AIR		CL	TS-D	N,G,S
	U-Factor 0.47			SHGC (N / <1) 0.63 / 0.56				VT (N / <1) 0.65 / 0.58			CR 44		
154	142.094 SH / Opt 2 (ALU Refo LR/KR/BR, No Foam): clr / air / clr (DS/DS) 3/4" IG												
	0.118	0.500	0.118						AIR		CL	TS-D	N,G,S
	U-Factor 0.47			SHGC (N / <1) 0.61 / 0.55				VT (N / <1) 0.65 / 0.58			CR 43		
155	142.094 SH / Opt 2 (ALU Refo LR/KR/BR, No Foam): clr / air / clr (5mm/DS) 3/4" IG												
	0.185	0.438	0.118						AIR		CL	TS-D	N,G,S
	U-Factor 0.48			SHGC (N / <1) 0.59 / 0.53				VT (N / <1) 0.64 / 0.57			CR 42		
156	142.094 SH / Opt 2 (ALU Refo LR/KR/BR, No Foam): clr / air / clr (5mm/DS) 3/4" IG												
	0.185	0.438	0.118						AIR		CL	TS-D	G
	U-Factor 0.48			SHGC (<1) 0.53				VT (<1) 0.57			CR 42		

**NFRC 100/200/500 Summary Sheet
Windgate/Belmont/Stormgate Single Hung**

ID	Pane Thickness 1	Gap Width 1	Pane Thickness 2	Gap Width 2	Pane Thickness 3	Gap Width 3	Pane Thickness 4	Gap Width 4	Gap Fill	Low-e (Surface#)	Tint	Spacer	Grid Type
	U-Factor			Solar Heat Gain Coefficient (SHGC) Grids (None / <1 / >=1)				Visible Transmittance (VT) Grids (None / <1 / >=1)			Condensation Resistance		
157	142.094 SH / Opt 2 (ALU Refo LR/KR/BR, No Foam): lami / air / clr (DS 090 DS/DS) 3/4" IG												
	0.264	0.345	0.118						AIR		CL	TS-D	N,S
	U-Factor 0.49			SHGC (N / <1) 0.56 / 0.51				VT (N / <1) 0.63 / 0.57			CR 42		
	142.094 SH / Opt 2 (ALU Refo LR/KR/BR, No Foam): clr / air / lami (DS/DS 090 DS) 3/4" IG												
	0.118	0.345	0.264						AIR		CL	TS-D	N,S
	U-Factor 0.49			SHGC (N / <1) 0.59 / 0.53				VT (N / <1) 0.63 / 0.57			CR 42		
158	142.094 SH / Opt 2 (ALU Refo LR/KR/BR, No Foam): lami / air / clr (DS 090 DS/DS) 3/4" IG												
	0.264	0.345	0.118						AIR		CL	TS-D	G,S
	U-Factor 0.49			SHGC (<1) 0.51				VT (<1) 0.57			CR 42		
	142.094 SH / Opt 2 (ALU Refo LR/KR/BR, No Foam): clr / air / lami (DS/DS 090 DS) 3/4" IG												
	0.118	0.345	0.264						AIR		CL	TS-D	G,S
	U-Factor 0.49			SHGC (<1) 0.53				VT (<1) 0.57			CR 42		
159	142.094 SH / Opt 2 (ALU Refo LR/KR/BR, No Foam): clr / air / clr / air / clr (SS/SS/SS) 3/4" IG (P1-S)												
	0.087	0.250	0.087	0.250	0.087				AIR		CL	TS-D	N,S
	U-Factor 0.39			SHGC (N / <1) 0.57 / 0.51				VT (N / <1) 0.60 / 0.54			CR 52		
160	142.094 SH / Opt 2 (ALU Refo LR/KR/BR, No Foam): clr / air / clr / air / clr (SS/SS/SS) 3/4" IG (P1-S)												
	0.087	0.250	0.087	0.250	0.087				AIR		CL	TS-D	G,S
	U-Factor 0.40			SHGC (<1) 0.51				VT (<1) 0.54			CR 52		
161	142.094 SH / Opt 2 (ALU Refo LR/KR/BR, No Foam): 70/36 / air / clr (SS/SS) 3/4" IG												
	0.090	0.563	0.090						AIR	0.036(#2)	CL	TS-D	N,G,S
	U-Factor 0.33			SHGC (N / <1) 0.31 / 0.28				VT (N / <1) 0.55 / 0.49			CR 54		
	142.094 SH / Opt 2 (ALU Refo LR/KR/BR, No Foam): clr / air / 70/36 (SS/SS) 3/4" IG												
	0.090	0.563	0.090						AIR	0.036(#3)	CL	TS-D	N,G,S
	U-Factor 0.33			SHGC (N / <1) 0.39 / 0.35				VT (N / <1) 0.55 / 0.49			CR 54		
162	142.094 SH / Opt 2 (ALU Refo LR/KR/BR, No Foam): 70/36 / arg / clr (SS/SS) 3/4" IG												
	0.090	0.563	0.090						ARG90	0.036(#2)	CL	TS-D	N,G,S
	U-Factor 0.30			SHGC (N / <1) 0.31 / 0.28				VT (N / <1) 0.55 / 0.49			CR 57		
	142.094 SH / Opt 2 (ALU Refo LR/KR/BR, No Foam): clr / arg / 70/36 (SS/SS) 3/4" IG												
	0.090	0.563	0.090						ARG90	0.036(#3)	CL	TS-D	N,G,S
	U-Factor 0.30			SHGC (N / <1) 0.39 / 0.35				VT (N / <1) 0.55 / 0.49			CR 57		

**NFRC 100/200/500 Summary Sheet
Windgate/Belmont/Stormgate Single Hung**

ID	Pane Thickness 1	Gap Width 1	Pane Thickness 2	Gap Width 2	Pane Thickness 3	Gap Width 3	Pane Thickness 4	Gap Fill	Low-e (Surface#)	Tint	Spacer	Grid Type
	U-Factor			Solar Heat Gain Coefficient (SHGC) Grids (None / <1 / >=1)				Visible Transmittance (VT) Grids (None / <1 / >=1)			Condensation Resistance	
163	142.094 SH / Opt 2 (ALU Refo LR/KR/BR, No Foam): 70/36 / air / clr (DS/DS) 3/4" IG											
	0.117	0.500	0.117					AIR	0.036(#2)	CL	TS-D	N,G,S
	U-Factor 0.33			SHGC (N / <1) 0.31 / 0.28				VT (N / <1) 0.55 / 0.49			CR 53	
	142.094 SH / Opt 2 (ALU Refo LR/KR/BR, No Foam): clr / air / 70/36 (DS/DS) 3/4" IG											
	0.117	0.500	0.117					AIR	0.036(#3)	CL	TS-D	N,G,S
	U-Factor 0.33			SHGC (N / <1) 0.38 / 0.34				VT (N / <1) 0.55 / 0.49			CR 53	
164	142.094 SH / Opt 2 (ALU Refo LR/KR/BR, No Foam): 70/36 / arg / clr (DS/DS) 3/4" IG											
	0.117	0.500	0.117					ARG90	0.036(#2)	CL	TS-D	N,G,S
	U-Factor 0.30			SHGC (N / <1) 0.30 / 0.27				VT (N / <1) 0.55 / 0.49			CR 56	
	142.094 SH / Opt 2 (ALU Refo LR/KR/BR, No Foam): clr / arg / 70/36 (DS/DS) 3/4" IG											
	0.117	0.500	0.117					ARG90	0.036(#3)	CL	TS-D	N,G,S
	U-Factor 0.30			SHGC (N / <1) 0.38 / 0.35				VT (N / <1) 0.55 / 0.49			CR 56	
165	142.094 SH / Opt 2 (ALU Refo LR/KR/BR, No Foam): lami / arg / 70/36 (DS 090 DS/DS) 3/4" IG											
	0.264	0.345	0.117					ARG90	0.036(#3)	CL	TS-D	N,S
	U-Factor 0.31			SHGC (N / <1) 0.36 / 0.33				VT (N / <1) 0.54 / 0.48			CR 55	
	142.094 SH / Opt 2 (ALU Refo LR/KR/BR, No Foam): 70/36 / arg / lami (DS/DS 090 DS) 3/4" IG											
	0.117	0.345	0.264					ARG90	0.036(#2)	CL	TS-D	N,S
	U-Factor 0.31			SHGC (N / <1) 0.30 / 0.27				VT (N / <1) 0.54 / 0.48			CR 55	
166	142.094 SH / Opt 2 (ALU Refo LR/KR/BR, No Foam): lami / arg / 70/36 (DS 090 DS/DS) 3/4" IG											
	0.264	0.345	0.117					ARG90	0.036(#3)	CL	TS-D	G,S
	U-Factor 0.33			SHGC (<1) 0.33				VT (<1) 0.48			CR 55	
	142.094 SH / Opt 2 (ALU Refo LR/KR/BR, No Foam): 70/36 / arg / lami (DS/DS 090 DS) 3/4" IG											
	0.117	0.345	0.264					ARG90	0.036(#2)	CL	TS-D	G,S
	U-Factor 0.33			SHGC (<1) 0.27				VT (<1) 0.48			CR 55	
167	142.094 SH / Opt 2 (ALU Refo LR/KR/BR, No Foam): 70/36 / arg / clr / arg / 70/36 (SS/SS/SS) 3/4" IG											
	0.090	0.250	0.090	0.250	0.090			ARG90	0.036(#2) / 0.036(#5)	CL	TS-D	N,S
	U-Factor 0.26			SHGC (N / <1) 0.26 / 0.24				VT (N / <1) 0.43 / 0.39			CR 64	
168	142.094 SH / Opt 2 (ALU Refo LR/KR/BR, No Foam): 70/36 / arg / clr / arg / 70/36 (SS/SS/SS) 3/4" IG											
	0.090	0.250	0.090	0.250	0.090			ARG90	0.036(#2) / 0.036(#5)	CL	TS-D	G,S
	U-Factor 0.27			SHGC (<1) 0.24				VT (<1) 0.39			CR 64	

**NFRC 100/200/500 Summary Sheet
Windgate/Belmont/Stormgate Single Hung**

ID	Pane Thickness 1	Gap Width 1	Pane Thickness 2	Gap Width 2	Pane Thickness 3	Gap Width 3	Pane Thickness 4	Gap Fill	Low-e (Surface#)	Tint	Spacer	Grid Type
	U-Factor			Solar Heat Gain Coefficient (SHGC) Grids (None / <1 / >=1)				Visible Transmittance (VT) Grids (None / <1 / >=1)			Condensation Resistance	
169	142.094 SH / Opt 2 (ALU Refo LR/KR/BR, No Foam): 80/70 / air / clr (SS/SS) 3/4" IG											
	0.090	0.563	0.090					AIR	0.095(#2)	CL	TS-D	N,G,S
	U-Factor 0.35			SHGC (N / <1) 0.53 / 0.48				VT (N / <1) 0.64 / 0.57			CR	53
	142.094 SH / Opt 2 (ALU Refo LR/KR/BR, No Foam): clr / air / 80/70 (SS/SS) 3/4" IG											
	0.090	0.563	0.090					AIR	0.095(#3)	CL	TS-D	N,G,S
	U-Factor 0.35			SHGC (N / <1) 0.56 / 0.50				VT (N / <1) 0.64 / 0.57			CR	53
170	142.094 SH / Opt 2 (ALU Refo LR/KR/BR, No Foam): 80/70 / arg / clr (SS/SS) 3/4" IG											
	0.090	0.563	0.090					ARG90	0.095(#2)	CL	TS-D	N,G,S
	U-Factor 0.32			SHGC (N / <1) 0.53 / 0.48				VT (N / <1) 0.64 / 0.57			CR	56
	142.094 SH / Opt 2 (ALU Refo LR/KR/BR, No Foam): clr / arg / 80/70 (SS/SS) 3/4" IG											
	0.090	0.563	0.090					ARG90	0.095(#3)	CL	TS-D	N,G,S
	U-Factor 0.32			SHGC (N / <1) 0.56 / 0.50				VT (N / <1) 0.64 / 0.57			CR	56
171	142.094 SH / Opt 2 (ALU Refo LR/KR/BR, No Foam): 80/70 / air / clr (DS/DS) 3/4" IG											
	0.117	0.500	0.117					AIR	0.095(#2)	CL	TS-D	N,G,S
	U-Factor 0.35			SHGC (N / <1) 0.52 / 0.47				VT (N / <1) 0.63 / 0.57			CR	52
	142.094 SH / Opt 2 (ALU Refo LR/KR/BR, No Foam): clr / air / 80/70 (DS/DS) 3/4" IG											
	0.117	0.500	0.117					AIR	0.095(#3)	CL	TS-D	N,G,S
	U-Factor 0.35			SHGC (N / <1) 0.55 / 0.50				VT (N / <1) 0.63 / 0.57			CR	52
172	142.094 SH / Opt 2 (ALU Refo LR/KR/BR, No Foam): 80/70 / arg / clr (DS/DS) 3/4" IG											
	0.117	0.500	0.117					ARG90	0.095(#2)	CL	TS-D	N,G,S
	U-Factor 0.31			SHGC (N / <1) 0.52 / 0.47				VT (N / <1) 0.63 / 0.57			CR	55
	142.094 SH / Opt 2 (ALU Refo LR/KR/BR, No Foam): clr / arg / 80/70 (DS/DS) 3/4" IG											
	0.117	0.500	0.117					ARG90	0.095(#3)	CL	TS-D	N,G,S
	U-Factor 0.31			SHGC (N / <1) 0.55 / 0.50				VT (N / <1) 0.63 / 0.57			CR	55
173	142.094 SH / Opt 2 (ALU Refo LR/KR/BR, No Foam): lami / arg / 80/70 (DS 090 DS/DS) 3/4" IG											
	0.264	0.345	0.117					ARG90	0.095(#3)	CL	TS-D	N,S
	U-Factor 0.33			SHGC (N / <1) 0.51 / 0.46				VT (N / <1) 0.62 / 0.56			CR	54
	142.094 SH / Opt 2 (ALU Refo LR/KR/BR, No Foam): 80/70 / arg / lami (DS/DS 090 DS) 3/4" IG											
	0.117	0.345	0.264					ARG90	0.095(#2)	CL	TS-D	N,S
	U-Factor 0.33			SHGC (N / <1) 0.51 / 0.46				VT (N / <1) 0.62 / 0.56			CR	54

**NFRC 100/200/500 Summary Sheet
Windgate/Belmont/Stormgate Single Hung**

ID	Pane Thickness 1	Gap Width 1	Pane Thickness 2	Gap Width 2	Pane Thickness 3	Gap Width 3	Pane Thickness 4	Gap Fill	Low-e (Surface#)	Tint	Spacer	Grid Type
	U-Factor			Solar Heat Gain Coefficient (SHGC) Grids (None / <1 / >=1)				Visible Transmittance (VT) Grids (None / <1 / >=1)			Condensation Resistance	
174	142.094 SH / Opt 2 (ALU Refo LR/KR/BR, No Foam): lami / arg / 80/70 (DS 090 DS/DS) 3/4" IG											
	0.264	0.345	0.117					ARG90	0.095(#3)	CL	TS-D	G,S
	U-Factor 0.34			SHGC (<1) 0.46				VT (<1) 0.56			CR 53	
	142.094 SH / Opt 2 (ALU Refo LR/KR/BR, No Foam): 80/70 / arg / lami (DS/DS 090 DS) 3/4" IG											
	0.117	0.345	0.264					ARG90	0.095(#2)	CL	TS-D	G,S
	U-Factor 0.34			SHGC (<1) 0.46				VT (<1) 0.56			CR 53	
175	142.094 SH / Opt 2 (ALU Refo LR/KR/BR, No Foam): 80/70 / arg / clr / arg / 80/70 (SS/SS/SS) 3/4" IG											
	0.090	0.250	0.090	0.250	0.090			ARG90	0.095(#2) / 0.095(#5)	CL	TS-D	N,S
	U-Factor 0.27			SHGC (N / <1) 0.47 / 0.42				VT (N / <1) 0.58 / 0.51			CR 63	
176	142.094 SH / Opt 2 (ALU Refo LR/KR/BR, No Foam): 80/70 / arg / clr / arg / 80/70 (SS/SS/SS) 3/4" IG											
	0.090	0.250	0.090	0.250	0.090			ARG90	0.095(#2) / 0.095(#5)	CL	TS-D	G,S
	U-Factor 0.28			SHGC (<1) 0.42				VT (<1) 0.51			CR 63	
177	142.094 SH / Opt 3 (ALU Refo LR/KR/BR/S, No Foam): clr / air / clr (SS/SS) 3/4" IG											
	0.087	0.563	0.087					AIR		CL	P1-S	N,G,S
	U-Factor 0.46			SHGC (N / <1) 0.63 / 0.56				VT (N / <1) 0.65 / 0.58			CR 45	
178	142.094 SH / Opt 3 (ALU Refo LR/KR/BR/S, No Foam): clr / air / clr (DS/DS) 3/4" IG											
	0.118	0.500	0.118					AIR		CL	P1-S	N,G,S
	U-Factor 0.46			SHGC (N / <1) 0.61 / 0.55				VT (N / <1) 0.65 / 0.58			CR 45	
179	142.094 SH / Opt 3 (ALU Refo LR/KR/BR/S, No Foam): clr / air / clr (5mm/DS) 3/4" IG											
	0.185	0.438	0.118					AIR		CL	P1-S	N,G,S
	U-Factor 0.47			SHGC (N / <1) 0.59 / 0.53				VT (N / <1) 0.64 / 0.57			CR 44	
180	142.094 SH / Opt 3 (ALU Refo LR/KR/BR/S, No Foam): clr / air / clr (5mm/DS) 3/4" IG											
	0.185	0.438	0.118					AIR		CL	P1-S	G
	U-Factor 0.47			SHGC (<1) 0.53				VT (<1) 0.57			CR 44	
181	142.094 SH / Opt 3 (ALU Refo LR/KR/BR/S, No Foam): lami / air / clr (DS 090 DS/DS) 3/4" IG											
	0.264	0.345	0.118					AIR		CL	P1-S	N,S
	U-Factor 0.48			SHGC (N / <1) 0.56 / 0.51				VT (N / <1) 0.63 / 0.57			CR 43	
	142.094 SH / Opt 3 (ALU Refo LR/KR/BR/S, No Foam): clr / air / lami (DS/DS 090 DS) 3/4" IG											
	0.118	0.345	0.264					AIR		CL	P1-S	N,S
	U-Factor 0.48			SHGC (N / <1) 0.59 / 0.53				VT (N / <1) 0.63 / 0.57			CR 43	

**NFRC 100/200/500 Summary Sheet
Windgate/Belmont/Stormgate Single Hung**

ID	Pane Thickness 1	Gap Width 1	Pane Thickness 2	Gap Width 2	Pane Thickness 3	Gap Width 3	Pane Thickness 4	Gap Fill	Low-e (Surface#)	Tint	Spacer	Grid Type
	U-Factor			Solar Heat Gain Coefficient (SHGC) Grids (None / <1 / >=1)				Visible Transmittance (VT) Grids (None / <1 / >=1)			Condensation Resistance	
182	142.094 SH / Opt 3 (ALU Refo LR/KR/BR/S, No Foam): lami / air / clr (DS 090 DS/DS) 3/4" IG											
	0.264	0.345	0.118					AIR		CL	P1-S	G,S
	U-Factor 0.49			SHGC (<1) 0.51				VT (<1) 0.57			CR 43	
	142.094 SH / Opt 3 (ALU Refo LR/KR/BR/S, No Foam): clr / air / lami (DS/DS 090 DS) 3/4" IG											
	0.118	0.345	0.264					AIR		CL	P1-S	G,S
	U-Factor 0.49			SHGC (<1) 0.53				VT (<1) 0.57			CR 43	
183	142.094 SH / Opt 3 (ALU Refo LR/KR/BR/S, No Foam): clr / air / clr / air / clr (SS/SS/SS) 3/4" IG (P1-S)											
	0.087	0.250	0.087	0.250	0.087			AIR		CL	P1-S	N,S
	U-Factor 0.39			SHGC (N / <1) 0.57 / 0.51				VT (N / <1) 0.60 / 0.54			CR 54	
184	142.094 SH / Opt 3 (ALU Refo LR/KR/BR/S, No Foam): clr / air / clr / air / clr (SS/SS/SS) 3/4" IG (P1-S)											
	0.087	0.250	0.087	0.250	0.087			AIR		CL	P1-S	G,S
	U-Factor 0.40			SHGC (<1) 0.51				VT (<1) 0.54			CR 54	
185	142.094 SH / Opt 3 (ALU Refo LR/KR/BR/S, No Foam): E270 / air / clr (SS/SS) 3/4" IG											
	0.087	0.563	0.087					AIR	0.037(#2)	CL	P1-S	N,G,S
	U-Factor 0.33			SHGC (N / <1) 0.30 / 0.27				VT (N / <1) 0.55 / 0.49			CR 57	
	142.094 SH / Opt 3 (ALU Refo LR/KR/BR/S, No Foam): clr / air / E270 (SS/SS) 3/4" IG											
	0.087	0.563	0.087					AIR	0.037(#3)	CL	P1-S	N,G,S
	U-Factor 0.33			SHGC (N / <1) 0.37 / 0.33				VT (N / <1) 0.55 / 0.49			CR 57	
186	142.094 SH / Opt 3 (ALU Refo LR/KR/BR/S, No Foam): E270 / arg / clr (SS/SS) 3/4" IG											
	0.087	0.563	0.087					ARG90	0.037(#2)	CL	P1-S	N,G,S
	U-Factor 0.29			SHGC (N / <1) 0.29 / 0.26				VT (N / <1) 0.55 / 0.49			CR 61	
	142.094 SH / Opt 3 (ALU Refo LR/KR/BR/S, No Foam): clr / arg / E270 (SS/SS) 3/4" IG											
	0.087	0.563	0.087					ARG90	0.037(#3)	CL	P1-S	N,G,S
	U-Factor 0.29			SHGC (N / <1) 0.37 / 0.33				VT (N / <1) 0.55 / 0.49			CR 61	
187	142.094 SH / Opt 3 (ALU Refo LR/KR/BR/S, No Foam): E270 / air / clr (DS/DS) 3/4" IG											
	0.118	0.500	0.118					AIR	0.037(#2)	CL	P1-S	N,G,S
	U-Factor 0.32			SHGC (N / <1) 0.30 / 0.27				VT (N / <1) 0.55 / 0.49			CR 56	
	142.094 SH / Opt 3 (ALU Refo LR/KR/BR/S, No Foam): clr / air / E270 (DS/DS) 3/4" IG											
	0.118	0.500	0.118					AIR	0.037(#3)	CL	P1-S	N,G,S
	U-Factor 0.32			SHGC (N / <1) 0.36 / 0.33				VT (N / <1) 0.55 / 0.49			CR 56	

**NFRC 100/200/500 Summary Sheet
Windgate/Belmont/Stormgate Single Hung**

ID	Pane Thickness 1	Gap Width 1	Pane Thickness 2	Gap Width 2	Pane Thickness 3	Gap Width 3	Pane Thickness 4	Gap Fill	Low-e (Surface#)	Tint	Spacer	Grid Type
	U-Factor			Solar Heat Gain Coefficient (SHGC) Grids (None / <1 / >=1)				Visible Transmittance (VT) Grids (None / <1 / >=1)			Condensation Resistance	
188	142.094 SH / Opt 3 (ALU Refo LR/KR/BR/S, No Foam): E270 / arg / clr (DS/DS) 3/4" IG											
	0.118	0.500	0.118					ARG90	0.037(#2)	CL	P1-S	N,G,S
	U-Factor 0.29			SHGC (N / <1) 0.29 / 0.26				VT (N / <1) 0.55 / 0.49			CR	60
	142.094 SH / Opt 3 (ALU Refo LR/KR/BR/S, No Foam): clr / arg / E270 (DS/DS) 3/4" IG											
	0.118	0.500	0.118					ARG90	0.037(#3)	CL	P1-S	N,G,S
	U-Factor 0.29			SHGC (N / <1) 0.36 / 0.33				VT (N / <1) 0.55 / 0.49			CR	60
189	142.094 SH / Opt 3 (ALU Refo LR/KR/BR/S, No Foam): lami / arg / E270 (DS 090 DS/DS) 3/4" IG											
	0.264	0.345	0.118					ARG90	0.037(#3)	CL	P1-S	N,S
	U-Factor 0.31			SHGC (N / <1) 0.35 / 0.31				VT (N / <1) 0.54 / 0.48			CR	58
	142.094 SH / Opt 3 (ALU Refo LR/KR/BR/S, No Foam): E270 / arg / lami (DS/DS 090 DS) 3/4" IG											
	0.118	0.345	0.264					ARG90	0.037(#2)	CL	P1-S	N,S
	U-Factor 0.31			SHGC (N / <1) 0.29 / 0.26				VT (N / <1) 0.54 / 0.48			CR	58
190	142.094 SH / Opt 3 (ALU Refo LR/KR/BR/S, No Foam): lami / arg / E270 (DS 090 DS/DS) 3/4" IG											
	0.264	0.345	0.118					ARG90	0.037(#3)	CL	P1-S	G,S
	U-Factor 0.32			SHGC (<1) 0.31				VT (<1) 0.48			CR	58
	142.094 SH / Opt 3 (ALU Refo LR/KR/BR/S, No Foam): E270 / arg / lami (DS/DS 090 DS) 3/4" IG											
	0.118	0.345	0.264					ARG90	0.037(#2)	CL	P1-S	G,S
	U-Factor 0.32			SHGC (<1) 0.26				VT (<1) 0.48			CR	58
191	142.094 SH / Opt 3 (ALU Refo LR/KR/BR/S, No Foam): E270 / arg / clr / arg / E270 (SS/SS/SS) 3/4" IG (P1-S)											
	0.087	0.250	0.087	0.250	0.087			ARG90	0.037(#2) / 0.037(#5)	CL	P1-S	N,S
	U-Factor 0.25			SHGC (N / <1) 0.25 / 0.23				VT (N / <1) 0.43 / 0.39			CR	65
192	142.094 SH / Opt 3 (ALU Refo LR/KR/BR/S, No Foam): E270 / arg / clr / arg / E270 (SS/SS/SS) 3/4" IG (P1-S)											
	0.087	0.250	0.087	0.250	0.087			ARG90	0.037(#2) / 0.037(#5)	CL	P1-S	G,S
	U-Factor 0.26			SHGC (<1) 0.23				VT (<1) 0.39			CR	65
193	142.094 SH / Opt 3 (ALU Refo LR/KR/BR/S, No Foam): E366 / air / clr (SS/SS) 3/4" IG											
	0.087	0.563	0.087					AIR	0.022(#2)	CL	P1-S	N,G,S
	U-Factor 0.32			SHGC (N / <1) 0.22 / 0.20				VT (N / <1) 0.51 / 0.46			CR	58
	142.094 SH / Opt 3 (ALU Refo LR/KR/BR/S, No Foam): clr / air / E366 (SS/SS) 3/4" IG											
	0.087	0.563	0.087					AIR	0.022(#3)	CL	P1-S	N,G,S
	U-Factor 0.32			SHGC (N / <1) 0.31 / 0.28				VT (N / <1) 0.51 / 0.46			CR	58

**NFRC 100/200/500 Summary Sheet
Windgate/Belmont/Stormgate Single Hung**

ID	Pane Thickness 1	Gap Width 1	Pane Thickness 2	Gap Width 2	Pane Thickness 3	Gap Width 3	Pane Thickness 4	Gap Fill	Low-e (Surface#)	Tint	Spacer	Grid Type
	U-Factor			Solar Heat Gain Coefficient (SHGC) Grids (None / <1 / >=1)				Visible Transmittance (VT) Grids (None / <1 / >=1)			Condensation Resistance	
194	142.094 SH / Opt 3 (ALU Refo LR/KR/BR/S, No Foam): E366 / arg / clr (SS/SS) 3/4" IG											
	0.087	0.563	0.087					ARG90	0.022(#2)	CL	P1-S	N,G,S
	U-Factor 0.28			SHGC (N / <1) 0.22 / 0.20				VT (N / <1) 0.51 / 0.46			CR	62
	142.094 SH / Opt 3 (ALU Refo LR/KR/BR/S, No Foam): clr / arg / E366 (SS/SS) 3/4" IG											
	0.087	0.563	0.087					ARG90	0.022(#3)	CL	P1-S	N,G,S
	U-Factor 0.28			SHGC (N / <1) 0.31 / 0.28				VT (N / <1) 0.51 / 0.46			CR	62
195	142.094 SH / Opt 3 (ALU Refo LR/KR/BR/S, No Foam): E366 / air / clr (DS/DS) 3/4" IG											
	0.117	0.500	0.118					AIR	0.022(#2)	CL	P1-S	N,G,S
	U-Factor 0.32			SHGC (N / <1) 0.22 / 0.20				VT (N / <1) 0.51 / 0.45			CR	57
	142.094 SH / Opt 3 (ALU Refo LR/KR/BR/S, No Foam): clr / air / E366 (DS/DS) 3/4" IG											
	0.118	0.500	0.117					AIR	0.022(#3)	CL	P1-S	N,G,S
	U-Factor 0.32			SHGC (N / <1) 0.30 / 0.28				VT (N / <1) 0.51 / 0.45			CR	57
196	142.094 SH / Opt 3 (ALU Refo LR/KR/BR/S, No Foam): E366 / arg / clr (DS/DS) 3/4" IG											
	0.117	0.500	0.118					ARG90	0.022(#2)	CL	P1-S	N,G,S
	U-Factor 0.28			SHGC (N / <1) 0.22 / 0.20				VT (N / <1) 0.51 / 0.45			CR	61
	142.094 SH / Opt 3 (ALU Refo LR/KR/BR/S, No Foam): clr / arg / E366 (DS/DS) 3/4" IG											
	0.118	0.500	0.117					ARG90	0.022(#3)	CL	P1-S	N,G,S
	U-Factor 0.28			SHGC (N / <1) 0.31 / 0.28				VT (N / <1) 0.51 / 0.45			CR	61
197	142.094 SH / Opt 3 (ALU Refo LR/KR/BR/S, No Foam): lami / arg / E366 (DS 090 DS/DS) 3/4" IG											
	0.264	0.345	0.117					ARG90	0.022(#3)	CL	P1-S	N,S
	U-Factor 0.30			SHGC (N / <1) 0.29 / 0.27				VT (N / <1) 0.50 / 0.44			CR	59
	142.094 SH / Opt 3 (ALU Refo LR/KR/BR/S, No Foam): E366 / arg / lami (DS/DS 090 DS) 3/4" IG											
	0.117	0.345	0.264					ARG90	0.022(#2)	CL	P1-S	N,S
	U-Factor 0.30			SHGC (N / <1) 0.22 / 0.20				VT (N / <1) 0.50 / 0.44			CR	59
198	142.094 SH / Opt 3 (ALU Refo LR/KR/BR/S, No Foam): lami / arg / E366 (DS 090 DS/DS) 3/4" IG											
	0.264	0.345	0.117					ARG90	0.022(#3)	CL	P1-S	G,S
	U-Factor 0.32			SHGC (<1) 0.27				VT (<1) 0.44			CR	59
	142.094 SH / Opt 3 (ALU Refo LR/KR/BR/S, No Foam): E366 / arg / lami (DS/DS 090 DS) 3/4" IG											
	0.117	0.345	0.264					ARG90	0.022(#2)	CL	P1-S	G,S
	U-Factor 0.32			SHGC (<1) 0.20				VT (<1) 0.44			CR	59

**NFRC 100/200/500 Summary Sheet
Windgate/Belmont/Stormgate Single Hung**

ID	Pane Thickness 1	Gap Width 1	Pane Thickness 2	Gap Width 2	Pane Thickness 3	Gap Width 3	Pane Thickness 4	Gap Fill	Low-e (Surface#)	Tint	Spacer	Grid Type
	U-Factor			Solar Heat Gain Coefficient (SHGC) Grids (None / <1 / >=1)				Visible Transmittance (VT) Grids (None / <1 / >=1)			Condensation Resistance	
199	142.094 SH / Opt 3 (ALU Refo LR/KR/BR/S, No Foam): E366 / arg / clr / arg / E366 (SS/SS/SS) 3/4" IG (P1-S)											
	0.087	0.250	0.087	0.250	0.087			ARG90	0.022(#2) / 0.022(#5)	CL	P1-S	N,S
	U-Factor 0.25			SHGC (N / <1) 0.19 / 0.17				VT (N / <1) 0.37 / 0.33			CR 65	
200	142.094 SH / Opt 3 (ALU Refo LR/KR/BR/S, No Foam): E366 / arg / clr / arg / E366 (SS/SS/SS) 3/4" IG (P1-S)											
	0.087	0.250	0.087	0.250	0.087			ARG90	0.022(#2) / 0.022(#5)	CL	P1-S	G,S
	U-Factor 0.25			SHGC (<1) 0.17				VT (<1) 0.33			CR 65	
201	142.094 SH / Opt 3 (ALU Refo LR/KR/BR/S, No Foam): 70/36 / air / clr (SS/SS) 3/4" IG											
	0.090	0.563	0.090					AIR	0.036(#2)	CL	P1-S	N,G,S
	U-Factor 0.33			SHGC (N / <1) 0.31 / 0.28				VT (N / <1) 0.55 / 0.49			CR 57	
	142.094 SH / Opt 3 (ALU Refo LR/KR/BR/S, No Foam): clr / air / 70/36 (SS/SS) 3/4" IG											
	0.090	0.563	0.090					AIR	0.036(#3)	CL	P1-S	N,G,S
	U-Factor 0.33			SHGC (N / <1) 0.39 / 0.35				VT (N / <1) 0.55 / 0.49			CR 57	
202	142.094 SH / Opt 3 (ALU Refo LR/KR/BR/S, No Foam): 70/36 / arg / clr (SS/SS) 3/4" IG											
	0.090	0.563	0.090					ARG90	0.036(#2)	CL	P1-S	N,G,S
	U-Factor 0.29			SHGC (N / <1) 0.31 / 0.28				VT (N / <1) 0.55 / 0.49			CR 61	
	142.094 SH / Opt 3 (ALU Refo LR/KR/BR/S, No Foam): clr / arg / 70/36 (SS/SS) 3/4" IG											
	0.090	0.563	0.090					ARG90	0.036(#3)	CL	P1-S	N,G,S
	U-Factor 0.29			SHGC (N / <1) 0.39 / 0.35				VT (N / <1) 0.55 / 0.49			CR 61	
203	142.094 SH / Opt 3 (ALU Refo LR/KR/BR/S, No Foam): 70/36 / air / clr (DS/DS) 3/4" IG											
	0.117	0.500	0.117					AIR	0.036(#2)	CL	P1-S	N,G,S
	U-Factor 0.32			SHGC (N / <1) 0.31 / 0.28				VT (N / <1) 0.55 / 0.49			CR 56	
	142.094 SH / Opt 3 (ALU Refo LR/KR/BR/S, No Foam): clr / air / 70/36 (DS/DS) 3/4" IG											
	0.117	0.500	0.117					AIR	0.036(#3)	CL	P1-S	N,G,S
	U-Factor 0.32			SHGC (N / <1) 0.38 / 0.34				VT (N / <1) 0.55 / 0.49			CR 56	
204	142.094 SH / Opt 3 (ALU Refo LR/KR/BR/S, No Foam): 70/36 / arg / clr (DS/DS) 3/4" IG											
	0.117	0.500	0.117					ARG90	0.036(#2)	CL	P1-S	N,G,S
	U-Factor 0.29			SHGC (N / <1) 0.30 / 0.27				VT (N / <1) 0.55 / 0.49			CR 60	
	142.094 SH / Opt 3 (ALU Refo LR/KR/BR/S, No Foam): clr / arg / 70/36 (DS/DS) 3/4" IG											
	0.117	0.500	0.117					ARG90	0.036(#3)	CL	P1-S	N,G,S
	U-Factor 0.29			SHGC (N / <1) 0.38 / 0.35				VT (N / <1) 0.55 / 0.49			CR 60	

**NFRC 100/200/500 Summary Sheet
Windgate/Belmont/Stormgate Single Hung**

ID	Pane Thickness 1	Gap Width 1	Pane Thickness 2	Gap Width 2	Pane Thickness 3	Gap Width 3	Pane Thickness 4	Gap Fill	Low-e (Surface#)	Tint	Spacer	Grid Type
	U-Factor			Solar Heat Gain Coefficient (SHGC) Grids (None / <1 / >=1)				Visible Transmittance (VT) Grids (None / <1 / >=1)			Condensation Resistance	
205	142.094 SH / Opt 3 (ALU Refo LR/KR/BR/S, No Foam): lami / arg / 70/36 (DS 090 DS/DS) 3/4" IG											
	0.264	0.345	0.117					ARG90	0.036(#3)	CL	P1-S	N,S
	U-Factor 0.31			SHGC (N / <1) 0.36 / 0.33				VT (N / <1) 0.54 / 0.48			CR	58
	142.094 SH / Opt 3 (ALU Refo LR/KR/BR/S, No Foam): 70/36 / arg / lami (DS/DS 090 DS) 3/4" IG											
	0.117	0.345	0.264					ARG90	0.036(#2)	CL	P1-S	N,S
	U-Factor 0.31			SHGC (N / <1) 0.30 / 0.27				VT (N / <1) 0.54 / 0.48			CR	58
206	142.094 SH / Opt 3 (ALU Refo LR/KR/BR/S, No Foam): lami / arg / 70/36 (DS 090 DS/DS) 3/4" IG											
	0.264	0.345	0.117					ARG90	0.036(#3)	CL	P1-S	G,S
	U-Factor 0.32			SHGC (<1) 0.33				VT (<1) 0.48			CR	58
	142.094 SH / Opt 3 (ALU Refo LR/KR/BR/S, No Foam): 70/36 / arg / lami (DS/DS 090 DS) 3/4" IG											
	0.117	0.345	0.264					ARG90	0.036(#2)	CL	P1-S	G,S
	U-Factor 0.32			SHGC (<1) 0.27				VT (<1) 0.48			CR	58
207	142.094 SH / Opt 3 (ALU Refo LR/KR/BR/S, No Foam): 70/36 / arg / clr / arg / 70/36 (SS/SS/SS) 3/4" IG											
	0.090	0.250	0.090	0.250	0.090			ARG90	0.036(#2) / 0.036(#5)	CL	P1-S	N,S
	U-Factor 0.25			SHGC (N / <1) 0.26 / 0.24				VT (N / <1) 0.43 / 0.39			CR	65
208	142.094 SH / Opt 3 (ALU Refo LR/KR/BR/S, No Foam): 70/36 / arg / clr / arg / 70/36 (SS/SS/SS) 3/4" IG											
	0.090	0.250	0.090	0.250	0.090			ARG90	0.036(#2) / 0.036(#5)	CL	P1-S	G,S
	U-Factor 0.26			SHGC (<1) 0.24				VT (<1) 0.39			CR	65
209	142.094 SH / Opt 3 (ALU Refo LR/KR/BR/S, No Foam): 80/70 / air / clr (SS/SS) 3/4" IG											
	0.090	0.563	0.090					AIR	0.095(#2)	CL	P1-S	N,G,S
	U-Factor 0.34			SHGC (N / <1) 0.53 / 0.48				VT (N / <1) 0.64 / 0.57			CR	56
	142.094 SH / Opt 3 (ALU Refo LR/KR/BR/S, No Foam): clr / air / 80/70 (SS/SS) 3/4" IG											
	0.090	0.563	0.090					AIR	0.095(#3)	CL	P1-S	N,G,S
	U-Factor 0.34			SHGC (N / <1) 0.56 / 0.50				VT (N / <1) 0.64 / 0.57			CR	56
210	142.094 SH / Opt 3 (ALU Refo LR/KR/BR/S, No Foam): 80/70 / arg / clr (SS/SS) 3/4" IG											
	0.090	0.563	0.090					ARG90	0.095(#2)	CL	P1-S	N,G,S
	U-Factor 0.31			SHGC (N / <1) 0.53 / 0.48				VT (N / <1) 0.64 / 0.57			CR	60
	142.094 SH / Opt 3 (ALU Refo LR/KR/BR/S, No Foam): clr / arg / 80/70 (SS/SS) 3/4" IG											
	0.090	0.563	0.090					ARG90	0.095(#3)	CL	P1-S	N,G,S
	U-Factor 0.31			SHGC (N / <1) 0.56 / 0.50				VT (N / <1) 0.64 / 0.57			CR	60

**NFRC 100/200/500 Summary Sheet
Windgate/Belmont/Stormgate Single Hung**

ID	Pane Thickness 1	Gap Width 1	Pane Thickness 2	Gap Width 2	Pane Thickness 3	Gap Width 3	Pane Thickness 4	Gap Fill	Low-e (Surface#)	Tint	Spacer	Grid Type
	U-Factor			Solar Heat Gain Coefficient (SHGC) Grids (None / <1 / >=1)				Visible Transmittance (VT) Grids (None / <1 / >=1)			Condensation Resistance	
211	142.094 SH / Opt 3 (ALU Refo LR/KR/BR/S, No Foam): 80/70 / air / clr (DS/DS) 3/4" IG											
	0.117	0.500	0.117					AIR	0.095(#2)	CL	P1-S	N,G,S
	U-Factor 0.34			SHGC (N / <1) 0.52 / 0.47				VT (N / <1) 0.63 / 0.57			CR 55	
	142.094 SH / Opt 3 (ALU Refo LR/KR/BR/S, No Foam): clr / air / 80/70 (DS/DS) 3/4" IG											
	0.117	0.500	0.117					AIR	0.095(#3)	CL	P1-S	N,G,S
	U-Factor 0.34			SHGC (N / <1) 0.55 / 0.50				VT (N / <1) 0.63 / 0.57			CR 55	
212	142.094 SH / Opt 3 (ALU Refo LR/KR/BR/S, No Foam): 80/70 / arg / clr (DS/DS) 3/4" IG											
	0.117	0.500	0.117					ARG90	0.095(#2)	CL	P1-S	N,G,S
	U-Factor 0.30			SHGC (N / <1) 0.52 / 0.47				VT (N / <1) 0.63 / 0.57			CR 59	
	142.094 SH / Opt 3 (ALU Refo LR/KR/BR/S, No Foam): clr / arg / 80/70 (DS/DS) 3/4" IG											
	0.117	0.500	0.117					ARG90	0.095(#3)	CL	P1-S	N,G,S
	U-Factor 0.30			SHGC (N / <1) 0.55 / 0.50				VT (N / <1) 0.63 / 0.57			CR 59	
213	142.094 SH / Opt 3 (ALU Refo LR/KR/BR/S, No Foam): lami / arg / 80/70 (DS 090 DS/DS) 3/4" IG											
	0.264	0.345	0.117					ARG90	0.095(#3)	CL	P1-S	N,S
	U-Factor 0.32			SHGC (N / <1) 0.51 / 0.46				VT (N / <1) 0.62 / 0.56			CR 57	
	142.094 SH / Opt 3 (ALU Refo LR/KR/BR/S, No Foam): 80/70 / arg / lami (DS/DS 090 DS) 3/4" IG											
	0.117	0.345	0.264					ARG90	0.095(#2)	CL	P1-S	N,S
	U-Factor 0.32			SHGC (N / <1) 0.51 / 0.46				VT (N / <1) 0.62 / 0.56			CR 57	
214	142.094 SH / Opt 3 (ALU Refo LR/KR/BR/S, No Foam): lami / arg / 80/70 (DS 090 DS/DS) 3/4" IG											
	0.264	0.345	0.117					ARG90	0.095(#3)	CL	P1-S	G,S
	U-Factor 0.34			SHGC (<1) 0.46				VT (<1) 0.56			CR 57	
	142.094 SH / Opt 3 (ALU Refo LR/KR/BR/S, No Foam): 80/70 / arg / lami (DS/DS 090 DS) 3/4" IG											
	0.117	0.345	0.264					ARG90	0.095(#2)	CL	P1-S	G,S
	U-Factor 0.34			SHGC (<1) 0.46				VT (<1) 0.56			CR 57	
215	142.094 SH / Opt 3 (ALU Refo LR/KR/BR/S, No Foam): 80/70 / arg / clr / arg / 80/70 (SS/SS/SS) 3/4" IG											
	0.090	0.250	0.090	0.250	0.090			ARG90	0.095(#2) / 0.095(#5)	CL	P1-S	N,S
	U-Factor 0.26			SHGC (N / <1) 0.47 / 0.42				VT (N / <1) 0.58 / 0.51			CR 65	
216	142.094 SH / Opt 3 (ALU Refo LR/KR/BR/S, No Foam): 80/70 / arg / clr / arg / 80/70 (SS/SS/SS) 3/4" IG											
	0.090	0.250	0.090	0.250	0.090			ARG90	0.095(#2) / 0.095(#5)	CL	P1-S	G,S
	U-Factor 0.27			SHGC (<1) 0.42				VT (<1) 0.51			CR 65	

**NFRC 100/200/500 Summary Sheet
Windgate/Belmont/Stormgate Single Hung**

ID	Pane Thickness 1	Gap Width 1	Pane Thickness 2	Gap Width 2	Pane Thickness 3	Gap Width 3	Pane Thickness 4	Gap Fill	Low-e (Surface#)	Tint	Spacer	Grid Type
	U-Factor			Solar Heat Gain Coefficient (SHGC) Grids (None / <1 / >=1)				Visible Transmittance (VT) Grids (None / <1 / >=1)			Condensation Resistance	
217	142.094 SH / Opt 3 (ALU Refo LR/KR/BR/S, No Foam): clr / air / clr (SS/SS) 3/4" IG											
	0.087	0.563	0.087					AIR		CL	SS-D	N,G,S
	U-Factor 0.47			SHGC (N / <1) 0.63 / 0.56				VT (N / <1) 0.65 / 0.58			CR 44	
218	142.094 SH / Opt 3 (ALU Refo LR/KR/BR/S, No Foam): clr / air / clr (DS/DS) 3/4" IG											
	0.118	0.500	0.118					AIR		CL	SS-D	N,G,S
	U-Factor 0.47			SHGC (N / <1) 0.61 / 0.55				VT (N / <1) 0.65 / 0.58			CR 43	
219	142.094 SH / Opt 3 (ALU Refo LR/KR/BR/S, No Foam): clr / air / clr (5mm/DS) 3/4" IG											
	0.185	0.438	0.118					AIR		CL	SS-D	N,G,S
	U-Factor 0.48			SHGC (N / <1) 0.59 / 0.53				VT (N / <1) 0.64 / 0.57			CR 43	
220	142.094 SH / Opt 3 (ALU Refo LR/KR/BR/S, No Foam): clr / air / clr (5mm/DS) 3/4" IG											
	0.185	0.438	0.118					AIR		CL	SS-D	G
	U-Factor 0.48			SHGC (<1) 0.53				VT (<1) 0.57			CR 43	
221	142.094 SH / Opt 3 (ALU Refo LR/KR/BR/S, No Foam): lami / air / clr (DS 090 DS/DS) 3/4" IG											
	0.264	0.345	0.118					AIR		CL	SS-D	N,S
	U-Factor 0.49			SHGC (N / <1) 0.56 / 0.51				VT (N / <1) 0.63 / 0.57			CR 42	
	142.094 SH / Opt 3 (ALU Refo LR/KR/BR/S, No Foam): clr / air / lami (DS/DS 090 DS) 3/4" IG											
	0.118	0.345	0.264					AIR		CL	SS-D	N,S
	U-Factor 0.49			SHGC (N / <1) 0.59 / 0.53				VT (N / <1) 0.63 / 0.57			CR 42	
222	142.094 SH / Opt 3 (ALU Refo LR/KR/BR/S, No Foam): lami / air / clr (DS 090 DS/DS) 3/4" IG											
	0.264	0.345	0.118					AIR		CL	SS-D	G,S
	U-Factor 0.50			SHGC (<1) 0.51				VT (<1) 0.57			CR 42	
	142.094 SH / Opt 3 (ALU Refo LR/KR/BR/S, No Foam): clr / air / lami (DS/DS 090 DS) 3/4" IG											
	0.118	0.345	0.264					AIR		CL	SS-D	G,S
	U-Factor 0.50			SHGC (<1) 0.53				VT (<1) 0.57			CR 42	
223	142.094 SH / Opt 3 (ALU Refo LR/KR/BR/S, No Foam): clr / air / clr / air / clr (SS/SS/SS) 3/4" IG (P1-S)											
	0.087	0.250	0.087	0.250	0.087			AIR		CL	SS-D	N,S
	U-Factor 0.39			SHGC (N / <1) 0.57 / 0.51				VT (N / <1) 0.60 / 0.54			CR 53	
224	142.094 SH / Opt 3 (ALU Refo LR/KR/BR/S, No Foam): clr / air / clr / air / clr (SS/SS/SS) 3/4" IG (P1-S)											
	0.087	0.250	0.087	0.250	0.087			AIR		CL	SS-D	G,S
	U-Factor 0.40			SHGC (<1) 0.51				VT (<1) 0.54			CR 53	

**NFRC 100/200/500 Summary Sheet
 Windgate/Belmont/Stormgate Single Hung**

ID	Pane Thickness 1	Gap Width 1	Pane Thickness 2	Gap Width 2	Pane Thickness 3	Gap Width 3	Pane Thickness 4	Gap Fill	Low-e (Surface#)	Tint	Spacer	Grid Type
	U-Factor			Solar Heat Gain Coefficient (SHGC) Grids (None / <1 / >=1)				Visible Transmittance (VT) Grids (None / <1 / >=1)			Condensation Resistance	
225	142.094 SH / Opt 3 (ALU Refo LR/KR/BR/S, No Foam): E270 / air / clr (SS/SS) 3/4" IG											
	0.087	0.563	0.087					AIR	0.037(#2)	CL	SS-D	N,G,S
	U-Factor 0.33			SHGC (N / <1) 0.30 / 0.27				VT (N / <1) 0.55 / 0.49			CR 55	
	142.094 SH / Opt 3 (ALU Refo LR/KR/BR/S, No Foam): clr / air / E270 (SS/SS) 3/4" IG											
	0.087	0.563	0.087					AIR	0.037(#3)	CL	SS-D	N,G,S
	U-Factor 0.33			SHGC (N / <1) 0.37 / 0.33				VT (N / <1) 0.55 / 0.49			CR 55	
226	142.094 SH / Opt 3 (ALU Refo LR/KR/BR/S, No Foam): E270 / arg / clr (SS/SS) 3/4" IG											
	0.087	0.563	0.087					ARG90	0.037(#2)	CL	SS-D	N,G,S
	U-Factor 0.30			SHGC (N / <1) 0.29 / 0.26				VT (N / <1) 0.55 / 0.49			CR 58	
	142.094 SH / Opt 3 (ALU Refo LR/KR/BR/S, No Foam): clr / arg / E270 (SS/SS) 3/4" IG											
	0.087	0.563	0.087					ARG90	0.037(#3)	CL	SS-D	N,G,S
	U-Factor 0.30			SHGC (N / <1) 0.37 / 0.33				VT (N / <1) 0.55 / 0.49			CR 58	
227	142.094 SH / Opt 3 (ALU Refo LR/KR/BR/S, No Foam): E270 / air / clr (DS/DS) 3/4" IG											
	0.118	0.500	0.118					AIR	0.037(#2)	CL	SS-D	N,G,S
	U-Factor 0.33			SHGC (N / <1) 0.30 / 0.27				VT (N / <1) 0.55 / 0.49			CR 54	
	142.094 SH / Opt 3 (ALU Refo LR/KR/BR/S, No Foam): clr / air / E270 (DS/DS) 3/4" IG											
	0.118	0.500	0.118					AIR	0.037(#3)	CL	SS-D	N,G,S
	U-Factor 0.33			SHGC (N / <1) 0.36 / 0.33				VT (N / <1) 0.55 / 0.49			CR 54	
228	142.094 SH / Opt 3 (ALU Refo LR/KR/BR/S, No Foam): E270 / arg / clr (DS/DS) 3/4" IG											
	0.118	0.500	0.118					ARG90	0.037(#2)	CL	SS-D	N,G,S
	U-Factor 0.30			SHGC (N / <1) 0.29 / 0.26				VT (N / <1) 0.55 / 0.49			CR 58	
	142.094 SH / Opt 3 (ALU Refo LR/KR/BR/S, No Foam): clr / arg / E270 (DS/DS) 3/4" IG											
	0.118	0.500	0.118					ARG90	0.037(#3)	CL	SS-D	N,G,S
	U-Factor 0.30			SHGC (N / <1) 0.36 / 0.33				VT (N / <1) 0.55 / 0.49			CR 58	
229	142.094 SH / Opt 3 (ALU Refo LR/KR/BR/S, No Foam): lami / arg / E270 (DS 090 DS/DS) 3/4" IG											
	0.264	0.345	0.118					ARG90	0.037(#3)	CL	SS-D	N,S
	U-Factor 0.32			SHGC (N / <1) 0.35 / 0.31				VT (N / <1) 0.54 / 0.48			CR 56	
	142.094 SH / Opt 3 (ALU Refo LR/KR/BR/S, No Foam): E270 / arg / lami (DS/DS 090 DS) 3/4" IG											
	0.118	0.345	0.264					ARG90	0.037(#2)	CL	SS-D	N,S
	U-Factor 0.32			SHGC (N / <1) 0.29 / 0.26				VT (N / <1) 0.54 / 0.48			CR 56	

**NFRC 100/200/500 Summary Sheet
Windgate/Belmont/Stormgate Single Hung**

ID	Pane Thickness 1	Gap Width 1	Pane Thickness 2	Gap Width 2	Pane Thickness 3	Gap Width 3	Pane Thickness 4	Gap Width 4	Gap Fill	Low-e (Surface#)	Tint	Spacer	Grid Type
	U-Factor			Solar Heat Gain Coefficient (SHGC) Grids (None / <1 / >=1)					Visible Transmittance (VT) Grids (None / <1 / >=1)			Condensation Resistance	
230	142.094 SH / Opt 3 (ALU Refo LR/KR/BR/S, No Foam): lami / arg / E270 (DS 090 DS/DS) 3/4" IG												
	0.264	0.345	0.118						ARG90	0.037(#3)	CL	SS-D	G,S
	U-Factor 0.33			SHGC (<1) 0.31					VT (<1) 0.48			CR 56	
	142.094 SH / Opt 3 (ALU Refo LR/KR/BR/S, No Foam): E270 / arg / lami (DS/DS 090 DS) 3/4" IG												
	0.118	0.345	0.264						ARG90	0.037(#2)	CL	SS-D	G,S
	U-Factor 0.33			SHGC (<1) 0.26					VT (<1) 0.48			CR 56	
231	142.094 SH / Opt 3 (ALU Refo LR/KR/BR/S, No Foam): E270 / arg / clr / arg / E270 (SS/SS/SS) 3/4" IG (SS-D)												
	0.087	0.266	0.087	0.266	0.087				ARG90	0.037(#2) / 0.037(#5)	CL	SS-D	N,S
	U-Factor 0.25			SHGC (N / <1) 0.25 / 0.23					VT (N / <1) 0.43 / 0.39			CR 63	
232	142.094 SH / Opt 3 (ALU Refo LR/KR/BR/S, No Foam): E270 / arg / clr / arg / E270 (SS/SS/SS) 3/4" IG (SS-D)												
	0.087	0.266	0.087	0.266	0.087				ARG90	0.037(#2) / 0.037(#5)	CL	SS-D	G,S
	U-Factor 0.26			SHGC (<1) 0.23					VT (<1) 0.39			CR 63	
233	142.094 SH / Opt 3 (ALU Refo LR/KR/BR/S, No Foam): E366 / air / clr (SS/SS) 3/4" IG												
	0.087	0.563	0.087						AIR	0.022(#2)	CL	SS-D	N,G,S
	U-Factor 0.33			SHGC (N / <1) 0.22 / 0.20					VT (N / <1) 0.51 / 0.46			CR 55	
	142.094 SH / Opt 3 (ALU Refo LR/KR/BR/S, No Foam): clr / air / E366 (SS/SS) 3/4" IG												
	0.087	0.563	0.087						AIR	0.022(#3)	CL	SS-D	N,G,S
	U-Factor 0.33			SHGC (N / <1) 0.31 / 0.28					VT (N / <1) 0.51 / 0.46			CR 55	
234	142.094 SH / Opt 3 (ALU Refo LR/KR/BR/S, No Foam): E366 / arg / clr (SS/SS) 3/4" IG												
	0.087	0.563	0.087						ARG90	0.022(#2)	CL	SS-D	N,G,S
	U-Factor 0.29			SHGC (N / <1) 0.22 / 0.20					VT (N / <1) 0.51 / 0.46			CR 59	
	142.094 SH / Opt 3 (ALU Refo LR/KR/BR/S, No Foam): clr / arg / E366 (SS/SS) 3/4" IG												
	0.087	0.563	0.087						ARG90	0.022(#3)	CL	SS-D	N,G,S
	U-Factor 0.29			SHGC (N / <1) 0.31 / 0.28					VT (N / <1) 0.51 / 0.46			CR 59	
235	142.094 SH / Opt 3 (ALU Refo LR/KR/BR/S, No Foam): E366 / air / clr (DS/DS) 3/4" IG												
	0.117	0.500	0.118						AIR	0.022(#2)	CL	SS-D	N,G,S
	U-Factor 0.33			SHGC (N / <1) 0.22 / 0.20					VT (N / <1) 0.51 / 0.45			CR 55	
	142.094 SH / Opt 3 (ALU Refo LR/KR/BR/S, No Foam): clr / air / E366 (DS/DS) 3/4" IG												
	0.118	0.500	0.117						AIR	0.022(#3)	CL	SS-D	N,G,S
	U-Factor 0.33			SHGC (N / <1) 0.30 / 0.28					VT (N / <1) 0.51 / 0.45			CR 55	

**NFRC 100/200/500 Summary Sheet
Windgate/Belmont/Stormgate Single Hung**

ID	Pane Thickness 1	Gap Width 1	Pane Thickness 2	Gap Width 2	Pane Thickness 3	Gap Width 3	Pane Thickness 4	Gap Fill	Low-e (Surface#)	Tint	Spacer	Grid Type
	U-Factor			Solar Heat Gain Coefficient (SHGC) Grids (None / <1 / >=1)				Visible Transmittance (VT) Grids (None / <1 / >=1)			Condensation Resistance	
236	142.094 SH / Opt 3 (ALU Refo LR/KR/BR/S, No Foam): E366 / arg / clr (DS/DS) 3/4" IG											
	0.117	0.500	0.118					ARG90	0.022(#2)	CL	SS-D	N,G,S
	U-Factor 0.29			SHGC (N / <1) 0.22 / 0.20				VT (N / <1) 0.51 / 0.45			CR 58	
	142.094 SH / Opt 3 (ALU Refo LR/KR/BR/S, No Foam): clr / arg / E366 (DS/DS) 3/4" IG											
	0.118	0.500	0.117					ARG90	0.022(#3)	CL	SS-D	N,G,S
	U-Factor 0.29			SHGC (N / <1) 0.31 / 0.28				VT (N / <1) 0.51 / 0.45			CR 58	
237	142.094 SH / Opt 3 (ALU Refo LR/KR/BR/S, No Foam): lami / arg / E366 (DS 090 DS/DS) 3/4" IG											
	0.264	0.345	0.117					ARG90	0.022(#3)	CL	SS-D	N,S
	U-Factor 0.31			SHGC (N / <1) 0.29 / 0.27				VT (N / <1) 0.50 / 0.44			CR 56	
	142.094 SH / Opt 3 (ALU Refo LR/KR/BR/S, No Foam): E366 / arg / lami (DS/DS 090 DS) 3/4" IG											
	0.117	0.345	0.264					ARG90	0.022(#2)	CL	SS-D	N,S
	U-Factor 0.31			SHGC (N / <1) 0.22 / 0.20				VT (N / <1) 0.50 / 0.44			CR 56	
238	142.094 SH / Opt 3 (ALU Refo LR/KR/BR/S, No Foam): lami / arg / E366 (DS 090 DS/DS) 3/4" IG											
	0.264	0.345	0.117					ARG90	0.022(#3)	CL	SS-D	G,S
	U-Factor 0.33			SHGC (<1) 0.27				VT (<1) 0.44			CR 56	
	142.094 SH / Opt 3 (ALU Refo LR/KR/BR/S, No Foam): E366 / arg / lami (DS/DS 090 DS) 3/4" IG											
	0.117	0.345	0.264					ARG90	0.022(#2)	CL	SS-D	G,S
	U-Factor 0.33			SHGC (<1) 0.20				VT (<1) 0.44			CR 56	
239	142.094 SH / Opt 3 (ALU Refo LR/KR/BR/S, No Foam): E366 / arg / clr / arg / E366 (SS/SS/SS) 3/4" IG (SS-D)											
	0.087	0.266	0.087	0.266	0.087			ARG90	0.022(#2) / 0.022(#5)	CL	SS-D	N,S
	U-Factor 0.25			SHGC (N / <1) 0.19 / 0.17				VT (N / <1) 0.37 / 0.33			CR 63	
240	142.094 SH / Opt 3 (ALU Refo LR/KR/BR/S, No Foam): E366 / arg / clr / arg / E366 (SS/SS/SS) 3/4" IG (SS-D)											
	0.087	0.266	0.087	0.266	0.087			ARG90	0.022(#2) / 0.022(#5)	CL	SS-D	G,S
	U-Factor 0.25			SHGC (<1) 0.17				VT (<1) 0.33			CR 63	
241	142.094 SH / Opt 3 (ALU Refo LR/KR/BR/S, No Foam): clr / air / clr (SS/SS) 3/4" IG											
	0.087	0.563	0.087					AIR		CL	TS-D	N,G,S
	U-Factor 0.47			SHGC (N / <1) 0.63 / 0.56				VT (N / <1) 0.65 / 0.58			CR 44	
242	142.094 SH / Opt 3 (ALU Refo LR/KR/BR/S, No Foam): clr / air / clr (DS/DS) 3/4" IG											
	0.118	0.500	0.118					AIR		CL	TS-D	N,G,S
	U-Factor 0.47			SHGC (N / <1) 0.61 / 0.55				VT (N / <1) 0.65 / 0.58			CR 43	

**NFRC 100/200/500 Summary Sheet
Windgate/Belmont/Stormgate Single Hung**

ID	Pane Thickness 1	Gap Width 1	Pane Thickness 2	Gap Width 2	Pane Thickness 3	Gap Width 3	Pane Thickness 4	Gap Fill	Low-e (Surface#)	Tint	Spacer	Grid Type
	U-Factor			Solar Heat Gain Coefficient (SHGC) Grids (None / <1 / >=1)				Visible Transmittance (VT) Grids (None / <1 / >=1)			Condensation Resistance	
243	142.094 SH / Opt 3 (ALU Refo LR/KR/BR/S, No Foam): clr / air / clr (5mm/DS) 3/4" IG											
	0.185	0.438	0.118					AIR		CL	TS-D	N,G,S
	U-Factor 0.48			SHGC (N / <1) 0.59 / 0.53				VT (N / <1) 0.64 / 0.57			CR 42	
244	142.094 SH / Opt 3 (ALU Refo LR/KR/BR/S, No Foam): clr / air / clr (5mm/DS) 3/4" IG											
	0.185	0.438	0.118					AIR		CL	TS-D	G
	U-Factor 0.48			SHGC (<1) 0.53				VT (<1) 0.57			CR 42	
245	142.094 SH / Opt 3 (ALU Refo LR/KR/BR/S, No Foam): lami / air / clr (DS 090 DS/DS) 3/4" IG											
	0.264	0.345	0.118					AIR		CL	TS-D	N,S
	U-Factor 0.49			SHGC (N / <1) 0.56 / 0.51				VT (N / <1) 0.63 / 0.57			CR 42	
	142.094 SH / Opt 3 (ALU Refo LR/KR/BR/S, No Foam): clr / air / lami (DS/DS 090 DS) 3/4" IG											
	0.118	0.345	0.264					AIR		CL	TS-D	N,S
	U-Factor 0.49			SHGC (N / <1) 0.59 / 0.53				VT (N / <1) 0.63 / 0.57			CR 42	
246	142.094 SH / Opt 3 (ALU Refo LR/KR/BR/S, No Foam): lami / air / clr (DS 090 DS/DS) 3/4" IG											
	0.264	0.345	0.118					AIR		CL	TS-D	G,S
	U-Factor 0.50			SHGC (<1) 0.51				VT (<1) 0.57			CR 42	
	142.094 SH / Opt 3 (ALU Refo LR/KR/BR/S, No Foam): clr / air / lami (DS/DS 090 DS) 3/4" IG											
	0.118	0.345	0.264					AIR		CL	TS-D	G,S
	U-Factor 0.50			SHGC (<1) 0.53				VT (<1) 0.57			CR 42	
247	142.094 SH / Opt 3 (ALU Refo LR/KR/BR/S, No Foam): clr / air / clr / air / clr (SS/SS/SS) 3/4" IG (P1-S)											
	0.087	0.250	0.087	0.250	0.087			AIR		CL	TS-D	N,S
	U-Factor 0.40			SHGC (N / <1) 0.57 / 0.51				VT (N / <1) 0.60 / 0.54			CR 51	
248	142.094 SH / Opt 3 (ALU Refo LR/KR/BR/S, No Foam): clr / air / clr / air / clr (SS/SS/SS) 3/4" IG (P1-S)											
	0.087	0.250	0.087	0.250	0.087			AIR		CL	TS-D	G,S
	U-Factor 0.41			SHGC (<1) 0.51				VT (<1) 0.54			CR 51	
249	142.094 SH / Opt 3 (ALU Refo LR/KR/BR/S, No Foam): 70/36 / air / clr (SS/SS) 3/4" IG											
	0.090	0.563	0.090					AIR	0.036(#2)	CL	TS-D	N,G,S
	U-Factor 0.34			SHGC (N / <1) 0.31 / 0.28				VT (N / <1) 0.55 / 0.49			CR 54	
	142.094 SH / Opt 3 (ALU Refo LR/KR/BR/S, No Foam): clr / air / 70/36 (SS/SS) 3/4" IG											
	0.090	0.563	0.090					AIR	0.036(#3)	CL	TS-D	N,G,S
	U-Factor 0.34			SHGC (N / <1) 0.39 / 0.35				VT (N / <1) 0.55 / 0.49			CR 54	

**NFRC 100/200/500 Summary Sheet
Windgate/Belmont/Stormgate Single Hung**

ID	Pane Thickness 1	Gap Width 1	Pane Thickness 2	Gap Width 2	Pane Thickness 3	Gap Width 3	Pane Thickness 4	Gap Fill	Low-e (Surface#)	Tint	Spacer	Grid Type
	U-Factor			Solar Heat Gain Coefficient (SHGC) Grids (None / <1 / >=1)				Visible Transmittance (VT) Grids (None / <1 / >=1)			Condensation Resistance	
250	142.094 SH / Opt 3 (ALU Refo LR/KR/BR/S, No Foam): 70/36 / arg / clr (SS/SS) 3/4" IG											
	0.090	0.563	0.090					ARG90	0.036(#2)	CL	TS-D	N,G,S
	U-Factor 0.30			SHGC (N / <1) 0.31 / 0.28				VT (N / <1) 0.55 / 0.49			CR	57
	142.094 SH / Opt 3 (ALU Refo LR/KR/BR/S, No Foam): clr / arg / 70/36 (SS/SS) 3/4" IG											
	0.090	0.563	0.090					ARG90	0.036(#3)	CL	TS-D	N,G,S
	U-Factor 0.30			SHGC (N / <1) 0.39 / 0.35				VT (N / <1) 0.55 / 0.49			CR	57
251	142.094 SH / Opt 3 (ALU Refo LR/KR/BR/S, No Foam): 70/36 / air / clr (DS/DS) 3/4" IG											
	0.117	0.500	0.117					AIR	0.036(#2)	CL	TS-D	N,G,S
	U-Factor 0.33			SHGC (N / <1) 0.31 / 0.28				VT (N / <1) 0.55 / 0.49			CR	53
	142.094 SH / Opt 3 (ALU Refo LR/KR/BR/S, No Foam): clr / air / 70/36 (DS/DS) 3/4" IG											
	0.117	0.500	0.117					AIR	0.036(#3)	CL	TS-D	N,G,S
	U-Factor 0.33			SHGC (N / <1) 0.38 / 0.34				VT (N / <1) 0.55 / 0.49			CR	53
252	142.094 SH / Opt 3 (ALU Refo LR/KR/BR/S, No Foam): 70/36 / arg / clr (DS/DS) 3/4" IG											
	0.117	0.500	0.117					ARG90	0.036(#2)	CL	TS-D	N,G,S
	U-Factor 0.30			SHGC (N / <1) 0.30 / 0.27				VT (N / <1) 0.55 / 0.49			CR	56
	142.094 SH / Opt 3 (ALU Refo LR/KR/BR/S, No Foam): clr / arg / 70/36 (DS/DS) 3/4" IG											
	0.117	0.500	0.117					ARG90	0.036(#3)	CL	TS-D	N,G,S
	U-Factor 0.30			SHGC (N / <1) 0.38 / 0.35				VT (N / <1) 0.55 / 0.49			CR	56
253	142.094 SH / Opt 3 (ALU Refo LR/KR/BR/S, No Foam): lami / arg / 70/36 (DS 090 DS/DS) 3/4" IG											
	0.264	0.345	0.117					ARG90	0.036(#3)	CL	TS-D	N,S
	U-Factor 0.32			SHGC (N / <1) 0.36 / 0.33				VT (N / <1) 0.54 / 0.48			CR	54
	142.094 SH / Opt 3 (ALU Refo LR/KR/BR/S, No Foam): 70/36 / arg / lami (DS/DS 090 DS) 3/4" IG											
	0.117	0.345	0.264					ARG90	0.036(#2)	CL	TS-D	N,S
	U-Factor 0.32			SHGC (N / <1) 0.30 / 0.27				VT (N / <1) 0.54 / 0.48			CR	54
254	142.094 SH / Opt 3 (ALU Refo LR/KR/BR/S, No Foam): lami / arg / 70/36 (DS 090 DS/DS) 3/4" IG											
	0.264	0.345	0.117					ARG90	0.036(#3)	CL	TS-D	G,S
	U-Factor 0.33			SHGC (<1) 0.33				VT (<1) 0.48			CR	54
	142.094 SH / Opt 3 (ALU Refo LR/KR/BR/S, No Foam): 70/36 / arg / lami (DS/DS 090 DS) 3/4" IG											
	0.117	0.345	0.264					ARG90	0.036(#2)	CL	TS-D	G,S
	U-Factor 0.33			SHGC (<1) 0.27				VT (<1) 0.48			CR	54

**NFRC 100/200/500 Summary Sheet
Windgate/Belmont/Stormgate Single Hung**

ID	Pane Thickness 1	Gap Width 1	Pane Thickness 2	Gap Width 2	Pane Thickness 3	Gap Width 3	Pane Thickness 4	Gap Fill	Low-e (Surface#)	Tint	Spacer	Grid Type
	U-Factor			Solar Heat Gain Coefficient (SHGC) Grids (None / <1 / >=1)				Visible Transmittance (VT) Grids (None / <1 / >=1)		Condensation Resistance		
255	142.094 SH / Opt 3 (ALU Refo LR/KR/BR/S, No Foam): 70/36 / arg / clr / arg / 70/36 (SS/SS/SS) 3/4" IG											
	0.090	0.250	0.090	0.250	0.090			ARG90	0.036(#2) / 0.036(#5)	CL	TS-D	N,S
	U-Factor 0.26			SHGC (N / <1) 0.26 / 0.24				VT (N / <1) 0.43 / 0.39		CR 62		
256	142.094 SH / Opt 3 (ALU Refo LR/KR/BR/S, No Foam): 70/36 / arg / clr / arg / 70/36 (SS/SS/SS) 3/4" IG											
	0.090	0.250	0.090	0.250	0.090			ARG90	0.036(#2) / 0.036(#5)	CL	TS-D	G,S
	U-Factor 0.27			SHGC (<1) 0.24				VT (<1) 0.39		CR 62		
257	142.094 SH / Opt 3 (ALU Refo LR/KR/BR/S, No Foam): 80/70 / air / clr (SS/SS) 3/4" IG											
	0.090	0.563	0.090					AIR	0.095(#2)	CL	TS-D	N,G,S
	U-Factor 0.35			SHGC (N / <1) 0.53 / 0.48				VT (N / <1) 0.64 / 0.57		CR 53		
	142.094 SH / Opt 3 (ALU Refo LR/KR/BR/S, No Foam): clr / air / 80/70 (SS/SS) 3/4" IG											
	0.090	0.563	0.090					AIR	0.095(#3)	CL	TS-D	N,G,S
	U-Factor 0.35			SHGC (N / <1) 0.56 / 0.50				VT (N / <1) 0.64 / 0.57		CR 53		
258	142.094 SH / Opt 3 (ALU Refo LR/KR/BR/S, No Foam): 80/70 / arg / clr (SS/SS) 3/4" IG											
	0.090	0.563	0.090					ARG90	0.095(#2)	CL	TS-D	N,G,S
	U-Factor 0.32			SHGC (N / <1) 0.53 / 0.48				VT (N / <1) 0.64 / 0.57		CR 56		
	142.094 SH / Opt 3 (ALU Refo LR/KR/BR/S, No Foam): clr / arg / 80/70 (SS/SS) 3/4" IG											
	0.090	0.563	0.090					ARG90	0.095(#3)	CL	TS-D	N,G,S
	U-Factor 0.32			SHGC (N / <1) 0.56 / 0.50				VT (N / <1) 0.64 / 0.57		CR 56		
259	142.094 SH / Opt 3 (ALU Refo LR/KR/BR/S, No Foam): 80/70 / air / clr (DS/DS) 3/4" IG											
	0.117	0.500	0.117					AIR	0.095(#2)	CL	TS-D	N,G,S
	U-Factor 0.35			SHGC (N / <1) 0.52 / 0.47				VT (N / <1) 0.63 / 0.57		CR 52		
	142.094 SH / Opt 3 (ALU Refo LR/KR/BR/S, No Foam): clr / air / 80/70 (DS/DS) 3/4" IG											
	0.117	0.500	0.117					AIR	0.095(#3)	CL	TS-D	N,G,S
	U-Factor 0.35			SHGC (N / <1) 0.55 / 0.50				VT (N / <1) 0.63 / 0.57		CR 52		
260	142.094 SH / Opt 3 (ALU Refo LR/KR/BR/S, No Foam): 80/70 / arg / clr (DS/DS) 3/4" IG											
	0.117	0.500	0.117					ARG90	0.095(#2)	CL	TS-D	N,G,S
	U-Factor 0.32			SHGC (N / <1) 0.52 / 0.47				VT (N / <1) 0.63 / 0.57		CR 55		
	142.094 SH / Opt 3 (ALU Refo LR/KR/BR/S, No Foam): clr / arg / 80/70 (DS/DS) 3/4" IG											
	0.117	0.500	0.117					ARG90	0.095(#3)	CL	TS-D	N,G,S
	U-Factor 0.32			SHGC (N / <1) 0.55 / 0.50				VT (N / <1) 0.63 / 0.57		CR 55		

**NFRC 100/200/500 Summary Sheet
Windgate/Belmont/Stormgate Single Hung**

ID	Pane Thickness 1	Gap Width 1	Pane Thickness 2	Gap Width 2	Pane Thickness 3	Gap Width 3	Pane Thickness 4	Gap Fill	Low-e (Surface#)	Tint	Spacer	Grid Type
	U-Factor			Solar Heat Gain Coefficient (SHGC) Grids (None / <1 / >=1)				Visible Transmittance (VT) Grids (None / <1 / >=1)			Condensation Resistance	
261	142.094 SH / Opt 3 (ALU Refo LR/KR/BR/S, No Foam): lami / arg / 80/70 (DS 090 DS/DS) 3/4" IG											
	0.264	0.345	0.117					ARG90	0.095(#3)	CL	TS-D	N,S
	U-Factor 0.34			SHGC (N / <1) 0.51 / 0.46				VT (N / <1) 0.62 / 0.56			CR 53	
	142.094 SH / Opt 3 (ALU Refo LR/KR/BR/S, No Foam): 80/70 / arg / lami (DS/DS 090 DS) 3/4" IG											
	0.117	0.345	0.264					ARG90	0.095(#2)	CL	TS-D	N,S
	U-Factor 0.34			SHGC (N / <1) 0.51 / 0.46				VT (N / <1) 0.62 / 0.56			CR 53	
262	142.094 SH / Opt 3 (ALU Refo LR/KR/BR/S, No Foam): lami / arg / 80/70 (DS 090 DS/DS) 3/4" IG											
	0.264	0.345	0.117					ARG90	0.095(#3)	CL	TS-D	G,S
	U-Factor 0.35			SHGC (<1) 0.46				VT (<1) 0.56			CR 53	
	142.094 SH / Opt 3 (ALU Refo LR/KR/BR/S, No Foam): 80/70 / arg / lami (DS/DS 090 DS) 3/4" IG											
	0.117	0.345	0.264					ARG90	0.095(#2)	CL	TS-D	G,S
	U-Factor 0.35			SHGC (<1) 0.46				VT (<1) 0.56			CR 53	
263	142.094 SH / Opt 3 (ALU Refo LR/KR/BR/S, No Foam): 80/70 / arg / clr / arg / 80/70 (SS/SS/SS) 3/4" IG											
	0.090	0.250	0.090	0.250	0.090			ARG90	0.095(#2) / 0.095(#5)	CL	TS-D	N,S
	U-Factor 0.27			SHGC (N / <1) 0.47 / 0.42				VT (N / <1) 0.58 / 0.51			CR 62	
264	142.094 SH / Opt 3 (ALU Refo LR/KR/BR/S, No Foam): 80/70 / arg / clr / arg / 80/70 (SS/SS/SS) 3/4" IG											
	0.090	0.250	0.090	0.250	0.090			ARG90	0.095(#2) / 0.095(#5)	CL	TS-D	G,S
	U-Factor 0.28			SHGC (<1) 0.42				VT (<1) 0.51			CR 62	
265	142.094 SH / Opt 4 (Heavy ALU Refo LR/KR/BR/S, No Foam): clr / air / clr (SS/SS) 3/4" IG											
	0.087	0.563	0.087					AIR		CL	P1-S	N,G,S
	U-Factor 0.47			SHGC (N / <1) 0.63 / 0.56				VT (N / <1) 0.65 / 0.58			CR 45	
266	142.094 SH / Opt 4 (Heavy ALU Refo LR/KR/BR/S, No Foam): clr / air / clr (DS/DS) 3/4" IG											
	0.118	0.500	0.118					AIR		CL	P1-S	N,G,S
	U-Factor 0.46			SHGC (N / <1) 0.61 / 0.55				VT (N / <1) 0.65 / 0.58			CR 45	
267	142.094 SH / Opt 4 (Heavy ALU Refo LR/KR/BR/S, No Foam): clr / air / clr (5mm/DS) 3/4" IG											
	0.185	0.438	0.118					AIR		CL	P1-S	N,G,S
	U-Factor 0.47			SHGC (N / <1) 0.59 / 0.53				VT (N / <1) 0.64 / 0.57			CR 44	
268	142.094 SH / Opt 4 (Heavy ALU Refo LR/KR/BR/S, No Foam): clr / air / clr (5mm/DS) 3/4" IG											
	0.185	0.438	0.118					AIR		CL	P1-S	G
	U-Factor 0.47			SHGC (<1) 0.53				VT (<1) 0.57			CR 44	

NFRC 100/200/500 Summary Sheet Windgate/Belmont/Stormgate Single Hung

ID	Pane Thickness 1	Gap Width 1	Pane Thickness 2	Gap Width 2	Pane Thickness 3	Gap Width 3	Pane Thickness 4	Gap Fill	Low-e (Surface#)	Tint	Spacer	Grid Type
	U-Factor			Solar Heat Gain Coefficient (SHGC) Grids (None / <1 / >=1)				Visible Transmittance (VT) Grids (None / <1 / >=1)			Condensation Resistance	
269	142.094 SH / Opt 4 (Heavy ALU Refo LR/KR/BR/S, No Foam): lami / air / clr (DS 090 DS/DS) 3/4" IG											
	0.264	0.345	0.118					AIR		CL	P1-S	N,S
	U-Factor 0.48			SHGC (N / <1) 0.56 / 0.51				VT (N / <1) 0.63 / 0.57			CR 44	
	142.094 SH / Opt 4 (Heavy ALU Refo LR/KR/BR/S, No Foam): clr / air / lami (DS/DS 090 DS) 3/4" IG											
	0.118	0.345	0.264					AIR		CL	P1-S	N,S
	U-Factor 0.48			SHGC (N / <1) 0.59 / 0.53				VT (N / <1) 0.63 / 0.57			CR 44	
270	142.094 SH / Opt 4 (Heavy ALU Refo LR/KR/BR/S, No Foam): lami / air / clr (DS 090 DS/DS) 3/4" IG											
	0.264	0.345	0.118					AIR		CL	P1-S	G,S
	U-Factor 0.49			SHGC (<1) 0.51				VT (<1) 0.57			CR 44	
	142.094 SH / Opt 4 (Heavy ALU Refo LR/KR/BR/S, No Foam): clr / air / lami (DS/DS 090 DS) 3/4" IG											
	0.118	0.345	0.264					AIR		CL	P1-S	G,S
	U-Factor 0.49			SHGC (<1) 0.53				VT (<1) 0.57			CR 44	
271	142.094 SH / Opt 4 (Heavy ALU Refo LR/KR/BR/S, No Foam): clr / air / clr / air / clr (SS/SS/SS) 3/4" IG (P1-S)											
	0.087	0.250	0.087	0.250	0.087			AIR		CL	P1-S	N,S
	U-Factor 0.39			SHGC (N / <1) 0.57 / 0.51				VT (N / <1) 0.60 / 0.54			CR 54	
272	142.094 SH / Opt 4 (Heavy ALU Refo LR/KR/BR/S, No Foam): clr / air / clr / air / clr (SS/SS/SS) 3/4" IG (P1-S)											
	0.087	0.250	0.087	0.250	0.087			AIR		CL	P1-S	G,S
	U-Factor 0.40			SHGC (<1) 0.51				VT (<1) 0.54			CR 54	
273	142.094 SH / Opt 4 (Heavy ALU Refo LR/KR/BR/S, No Foam): E270 / air / clr (SS/SS) 3/4" IG											
	0.087	0.563	0.087					AIR	0.037(#2)	CL	P1-S	N,G,S
	U-Factor 0.33			SHGC (N / <1) 0.30 / 0.27				VT (N / <1) 0.55 / 0.49			CR 57	
	142.094 SH / Opt 4 (Heavy ALU Refo LR/KR/BR/S, No Foam): clr / air / E270 (SS/SS) 3/4" IG											
	0.087	0.563	0.087					AIR	0.037(#3)	CL	P1-S	N,G,S
	U-Factor 0.33			SHGC (N / <1) 0.37 / 0.33				VT (N / <1) 0.55 / 0.49			CR 57	
274	142.094 SH / Opt 4 (Heavy ALU Refo LR/KR/BR/S, No Foam): E270 / arg / clr (SS/SS) 3/4" IG											
	0.087	0.563	0.087					ARG90	0.037(#2)	CL	P1-S	N,G,S
	U-Factor 0.29			SHGC (N / <1) 0.29 / 0.26				VT (N / <1) 0.55 / 0.49			CR 61	
	142.094 SH / Opt 4 (Heavy ALU Refo LR/KR/BR/S, No Foam): clr / arg / E270 (SS/SS) 3/4" IG											
	0.087	0.563	0.087					ARG90	0.037(#3)	CL	P1-S	N,G,S
	U-Factor 0.29			SHGC (N / <1) 0.37 / 0.33				VT (N / <1) 0.55 / 0.49			CR 61	

**NFRC 100/200/500 Summary Sheet
Windgate/Belmont/Stormgate Single Hung**

ID	Pane Thickness 1	Gap Width 1	Pane Thickness 2	Gap Width 2	Pane Thickness 3	Gap Width 3	Pane Thickness 4	Gap Width 4	Gap Fill	Low-e (Surface#)	Tint	Spacer	Grid Type
	U-Factor			Solar Heat Gain Coefficient (SHGC) Grids (None / <1 / >=1)				Visible Transmittance (VT) Grids (None / <1 / >=1)			Condensation Resistance		
275	142.094 SH / Opt 4 (Heavy ALU Refo LR/KR/BR/S, No Foam): E270 / air / clr (DS/DS) 3/4" IG												
	0.118	0.500	0.118						AIR	0.037(#2)	CL	P1-S	N,G,S
	U-Factor 0.32			SHGC (N / <1) 0.30 / 0.27				VT (N / <1) 0.55 / 0.49			CR 57		
	142.094 SH / Opt 4 (Heavy ALU Refo LR/KR/BR/S, No Foam): clr / air / E270 (DS/DS) 3/4" IG												
	0.118	0.500	0.118						AIR	0.037(#3)	CL	P1-S	N,G,S
	U-Factor 0.32			SHGC (N / <1) 0.36 / 0.33				VT (N / <1) 0.55 / 0.49			CR 57		
276	142.094 SH / Opt 4 (Heavy ALU Refo LR/KR/BR/S, No Foam): E270 / arg / clr (DS/DS) 3/4" IG												
	0.118	0.500	0.118						ARG90	0.037(#2)	CL	P1-S	N,G,S
	U-Factor 0.29			SHGC (N / <1) 0.29 / 0.26				VT (N / <1) 0.55 / 0.49			CR 60		
	142.094 SH / Opt 4 (Heavy ALU Refo LR/KR/BR/S, No Foam): clr / arg / E270 (DS/DS) 3/4" IG												
	0.118	0.500	0.118						ARG90	0.037(#3)	CL	P1-S	N,G,S
	U-Factor 0.29			SHGC (N / <1) 0.36 / 0.33				VT (N / <1) 0.55 / 0.49			CR 60		
277	142.094 SH / Opt 4 (Heavy ALU Refo LR/KR/BR/S, No Foam): lami / arg / E270 (DS 090 DS/DS) 3/4" IG												
	0.264	0.345	0.118						ARG90	0.037(#3)	CL	P1-S	N,S
	U-Factor 0.31			SHGC (N / <1) 0.35 / 0.31				VT (N / <1) 0.54 / 0.48			CR 58		
	142.094 SH / Opt 4 (Heavy ALU Refo LR/KR/BR/S, No Foam): E270 / arg / lami (DS/DS 090 DS) 3/4" IG												
	0.118	0.345	0.264						ARG90	0.037(#2)	CL	P1-S	N,S
	U-Factor 0.31			SHGC (N / <1) 0.29 / 0.26				VT (N / <1) 0.54 / 0.48			CR 58		
278	142.094 SH / Opt 4 (Heavy ALU Refo LR/KR/BR/S, No Foam): lami / arg / E270 (DS 090 DS/DS) 3/4" IG												
	0.264	0.345	0.118						ARG90	0.037(#3)	CL	P1-S	G,S
	U-Factor 0.32			SHGC (<1) 0.31				VT (<1) 0.48			CR 58		
	142.094 SH / Opt 4 (Heavy ALU Refo LR/KR/BR/S, No Foam): E270 / arg / lami (DS/DS 090 DS) 3/4" IG												
	0.118	0.345	0.264						ARG90	0.037(#2)	CL	P1-S	G,S
	U-Factor 0.32			SHGC (<1) 0.26				VT (<1) 0.48			CR 58		
279	142.094 SH / Opt 4 (Heavy ALU Refo LR/KR/BR/S, No Foam): E270 / arg / clr / arg / E270 (SS/SS/SS) 3/4" IG (P1-S)												
	0.087	0.250	0.087	0.250	0.087				ARG90	0.037(#2) / 0.037(#5)	CL	P1-S	N,S
	U-Factor 0.25			SHGC (N / <1) 0.25 / 0.23				VT (N / <1) 0.43 / 0.39			CR 65		
280	142.094 SH / Opt 4 (Heavy ALU Refo LR/KR/BR/S, No Foam): E270 / arg / clr / arg / E270 (SS/SS/SS) 3/4" IG (P1-S)												
	0.087	0.250	0.087	0.250	0.087				ARG90	0.037(#2) / 0.037(#5)	CL	P1-S	G,S
	U-Factor 0.26			SHGC (<1) 0.23				VT (<1) 0.39			CR 65		

**NFRC 100/200/500 Summary Sheet
Windgate/Belmont/Stormgate Single Hung**

ID	Pane Thickness 1	Gap Width 1	Pane Thickness 2	Gap Width 2	Pane Thickness 3	Gap Width 3	Pane Thickness 4	Gap Fill	Low-e (Surface#)	Tint	Spacer	Grid Type
	U-Factor			Solar Heat Gain Coefficient (SHGC) Grids (None / <1 / >=1)				Visible Transmittance (VT) Grids (None / <1 / >=1)			Condensation Resistance	
281	142.094 SH / Opt 4 (Heavy ALU Refo LR/KR/BR/S, No Foam): E366 / air / clr (SS/SS) 3/4" IG											
	0.087	0.563	0.087					AIR	0.022(#2)	CL	P1-S	N,G,S
	U-Factor 0.32			SHGC (N / <1) 0.22 / 0.20				VT (N / <1) 0.51 / 0.46			CR	58
	142.094 SH / Opt 4 (Heavy ALU Refo LR/KR/BR/S, No Foam): clr / air / E366 (SS/SS) 3/4" IG											
	0.087	0.563	0.087					AIR	0.022(#3)	CL	P1-S	N,G,S
	U-Factor 0.32			SHGC (N / <1) 0.31 / 0.28				VT (N / <1) 0.51 / 0.46			CR	58
282	142.094 SH / Opt 4 (Heavy ALU Refo LR/KR/BR/S, No Foam): E366 / arg / clr (SS/SS) 3/4" IG											
	0.087	0.563	0.087					ARG90	0.022(#2)	CL	P1-S	N,G,S
	U-Factor 0.29			SHGC (N / <1) 0.22 / 0.20				VT (N / <1) 0.51 / 0.46			CR	62
	142.094 SH / Opt 4 (Heavy ALU Refo LR/KR/BR/S, No Foam): clr / arg / E366 (SS/SS) 3/4" IG											
	0.087	0.563	0.087					ARG90	0.022(#3)	CL	P1-S	N,G,S
	U-Factor 0.29			SHGC (N / <1) 0.31 / 0.28				VT (N / <1) 0.51 / 0.46			CR	62
283	142.094 SH / Opt 4 (Heavy ALU Refo LR/KR/BR/S, No Foam): E366 / air / clr (DS/DS) 3/4" IG											
	0.117	0.500	0.118					AIR	0.022(#2)	CL	P1-S	N,G,S
	U-Factor 0.32			SHGC (N / <1) 0.22 / 0.20				VT (N / <1) 0.51 / 0.45			CR	57
	142.094 SH / Opt 4 (Heavy ALU Refo LR/KR/BR/S, No Foam): clr / air / E366 (DS/DS) 3/4" IG											
	0.118	0.500	0.117					AIR	0.022(#3)	CL	P1-S	N,G,S
	U-Factor 0.32			SHGC (N / <1) 0.30 / 0.28				VT (N / <1) 0.51 / 0.45			CR	57
284	142.094 SH / Opt 4 (Heavy ALU Refo LR/KR/BR/S, No Foam): E366 / arg / clr (DS/DS) 3/4" IG											
	0.117	0.500	0.118					ARG90	0.022(#2)	CL	P1-S	N,G,S
	U-Factor 0.28			SHGC (N / <1) 0.22 / 0.20				VT (N / <1) 0.51 / 0.45			CR	61
	142.094 SH / Opt 4 (Heavy ALU Refo LR/KR/BR/S, No Foam): clr / arg / E366 (DS/DS) 3/4" IG											
	0.118	0.500	0.117					ARG90	0.022(#3)	CL	P1-S	N,G,S
	U-Factor 0.28			SHGC (N / <1) 0.31 / 0.28				VT (N / <1) 0.51 / 0.45			CR	61
285	142.094 SH / Opt 4 (Heavy ALU Refo LR/KR/BR/S, No Foam): lami / arg / E366 (DS 090 DS/DS) 3/4" IG											
	0.264	0.345	0.117					ARG90	0.022(#3)	CL	P1-S	N,S
	U-Factor 0.30			SHGC (N / <1) 0.29 / 0.27				VT (N / <1) 0.50 / 0.44			CR	59
	142.094 SH / Opt 4 (Heavy ALU Refo LR/KR/BR/S, No Foam): E366 / arg / lami (DS/DS 090 DS) 3/4" IG											
	0.117	0.345	0.264					ARG90	0.022(#2)	CL	P1-S	N,S
	U-Factor 0.30			SHGC (N / <1) 0.22 / 0.20				VT (N / <1) 0.50 / 0.44			CR	59

NFRC 100/200/500 Summary Sheet Windgate/Belmont/Stormgate Single Hung

ID	Pane Thickness 1	Gap Width 1	Pane Thickness 2	Gap Width 2	Pane Thickness 3	Gap Width 3	Pane Thickness 4	Gap Width 4	Gap Fill	Low-e (Surface#)	Tint	Spacer	Grid Type
	U-Factor			Solar Heat Gain Coefficient (SHGC) Grids (None / <1 / >=1)				Visible Transmittance (VT) Grids (None / <1 / >=1)			Condensation Resistance		
286	142.094 SH / Opt 4 (Heavy ALU Refo LR/KR/BR/S, No Foam): lami / arg / E366 (DS 090 DS/DS) 3/4" IG												
	0.264	0.345	0.117						ARG90	0.022(#3)	CL	P1-S	G,S
	U-Factor 0.32			SHGC (<1) 0.27				VT (<1) 0.44			CR 59		
	142.094 SH / Opt 4 (Heavy ALU Refo LR/KR/BR/S, No Foam): E366 / arg / lami (DS/DS 090 DS) 3/4" IG												
	0.117	0.345	0.264						ARG90	0.022(#2)	CL	P1-S	G,S
	U-Factor 0.32			SHGC (<1) 0.20				VT (<1) 0.44			CR 59		
287	142.094 SH / Opt 4 (Heavy ALU Refo LR/KR/BR/S, No Foam): E366 / arg / clr / arg / E366 (SS/SS/SS) 3/4" IG (P1-S)												
	0.087	0.250	0.087	0.250	0.087				ARG90	0.022(#2) / 0.022(#5)	CL	P1-S	N,S
	U-Factor 0.25			SHGC (N / <1) 0.19 / 0.17				VT (N / <1) 0.37 / 0.33			CR 65		
288	142.094 SH / Opt 4 (Heavy ALU Refo LR/KR/BR/S, No Foam): E366 / arg / clr / arg / E366 (SS/SS/SS) 3/4" IG (P1-S)												
	0.087	0.250	0.087	0.250	0.087				ARG90	0.022(#2) / 0.022(#5)	CL	P1-S	G,S
	U-Factor 0.26			SHGC (<1) 0.17				VT (<1) 0.33			CR 65		
289	142.094 SH / Opt 4 (Heavy ALU Refo LR/KR/BR/S, No Foam): 70/36 / air / clr (SS/SS) 3/4" IG												
	0.090	0.563	0.090						AIR	0.036(#2)	CL	P1-S	N,G,S
	U-Factor 0.33			SHGC (N / <1) 0.31 / 0.28				VT (N / <1) 0.55 / 0.49			CR 57		
	142.094 SH / Opt 4 (Heavy ALU Refo LR/KR/BR/S, No Foam): clr / air / 70/36 (SS/SS) 3/4" IG												
	0.090	0.563	0.090						AIR	0.036(#3)	CL	P1-S	N,G,S
	U-Factor 0.33			SHGC (N / <1) 0.39 / 0.35				VT (N / <1) 0.55 / 0.49			CR 57		
290	142.094 SH / Opt 4 (Heavy ALU Refo LR/KR/BR/S, No Foam): 70/36 / arg / clr (SS/SS) 3/4" IG												
	0.090	0.563	0.090						ARG90	0.036(#2)	CL	P1-S	N,G,S
	U-Factor 0.29			SHGC (N / <1) 0.31 / 0.28				VT (N / <1) 0.55 / 0.49			CR 61		
	142.094 SH / Opt 4 (Heavy ALU Refo LR/KR/BR/S, No Foam): clr / arg / 70/36 (SS/SS) 3/4" IG												
	0.090	0.563	0.090						ARG90	0.036(#3)	CL	P1-S	N,G,S
	U-Factor 0.29			SHGC (N / <1) 0.39 / 0.35				VT (N / <1) 0.55 / 0.49			CR 61		
291	142.094 SH / Opt 4 (Heavy ALU Refo LR/KR/BR/S, No Foam): 70/36 / air / clr (DS/DS) 3/4" IG												
	0.117	0.500	0.117						AIR	0.036(#2)	CL	P1-S	N,G,S
	U-Factor 0.32			SHGC (N / <1) 0.31 / 0.28				VT (N / <1) 0.55 / 0.49			CR 57		
	142.094 SH / Opt 4 (Heavy ALU Refo LR/KR/BR/S, No Foam): clr / air / 70/36 (DS/DS) 3/4" IG												
	0.117	0.500	0.117						AIR	0.036(#3)	CL	P1-S	N,G,S
	U-Factor 0.32			SHGC (N / <1) 0.38 / 0.34				VT (N / <1) 0.55 / 0.49			CR 57		

**NFRC 100/200/500 Summary Sheet
Windgate/Belmont/Stormgate Single Hung**

ID	Pane Thickness 1	Gap Width 1	Pane Thickness 2	Gap Width 2	Pane Thickness 3	Gap Width 3	Pane Thickness 4	Gap Width 4	Gap Fill	Low-e (Surface#)	Tint	Spacer	Grid Type
	U-Factor			Solar Heat Gain Coefficient (SHGC) Grids (None / <1 / >=1)					Visible Transmittance (VT) Grids (None / <1 / >=1)			Condensation Resistance	
292	142.094 SH / Opt 4 (Heavy ALU Refo LR/KR/BR/S, No Foam): 70/36 / arg / clr (DS/DS) 3/4" IG												
	0.117	0.500	0.117						ARG90	0.036(#2)	CL	P1-S	N,G,S
	U-Factor 0.29			SHGC (N / <1) 0.30 / 0.27					VT (N / <1) 0.55 / 0.49			CR	61
	142.094 SH / Opt 4 (Heavy ALU Refo LR/KR/BR/S, No Foam): clr / arg / 70/36 (DS/DS) 3/4" IG												
	0.117	0.500	0.117						ARG90	0.036(#3)	CL	P1-S	N,G,S
	U-Factor 0.29			SHGC (N / <1) 0.38 / 0.35					VT (N / <1) 0.55 / 0.49			CR	61
293	142.094 SH / Opt 4 (Heavy ALU Refo LR/KR/BR/S, No Foam): lami / arg / 70/36 (DS 090 DS/DS) 3/4" IG												
	0.264	0.345	0.117						ARG90	0.036(#3)	CL	P1-S	N,S
	U-Factor 0.31			SHGC (N / <1) 0.36 / 0.33					VT (N / <1) 0.54 / 0.48			CR	58
	142.094 SH / Opt 4 (Heavy ALU Refo LR/KR/BR/S, No Foam): 70/36 / arg / lami (DS/DS 090 DS) 3/4" IG												
	0.117	0.345	0.264						ARG90	0.036(#2)	CL	P1-S	N,S
	U-Factor 0.31			SHGC (N / <1) 0.30 / 0.27					VT (N / <1) 0.54 / 0.48			CR	58
294	142.094 SH / Opt 4 (Heavy ALU Refo LR/KR/BR/S, No Foam): lami / arg / 70/36 (DS 090 DS/DS) 3/4" IG												
	0.264	0.345	0.117						ARG90	0.036(#3)	CL	P1-S	G,S
	U-Factor 0.32			SHGC (<1) 0.33					VT (<1) 0.48			CR	58
	142.094 SH / Opt 4 (Heavy ALU Refo LR/KR/BR/S, No Foam): 70/36 / arg / lami (DS/DS 090 DS) 3/4" IG												
	0.117	0.345	0.264						ARG90	0.036(#2)	CL	P1-S	G,S
	U-Factor 0.32			SHGC (<1) 0.27					VT (<1) 0.48			CR	58
295	142.094 SH / Opt 4 (Heavy ALU Refo LR/KR/BR/S, No Foam): 70/36 / arg / clr / arg / 70/36 (SS/SS/SS) 3/4" IG												
	0.090	0.250	0.090	0.250	0.090				ARG90	0.036(#2) / 0.036(#5)	CL	P1-S	N,S
	U-Factor 0.25			SHGC (N / <1) 0.26 / 0.24					VT (N / <1) 0.43 / 0.39			CR	65
296	142.094 SH / Opt 4 (Heavy ALU Refo LR/KR/BR/S, No Foam): 70/36 / arg / clr / arg / 70/36 (SS/SS/SS) 3/4" IG												
	0.090	0.250	0.090	0.250	0.090				ARG90	0.036(#2) / 0.036(#5)	CL	P1-S	G,S
	U-Factor 0.26			SHGC (<1) 0.24					VT (<1) 0.39			CR	65
297	142.094 SH / Opt 4 (Heavy ALU Refo LR/KR/BR/S, No Foam): 80/70 / air / clr (SS/SS) 3/4" IG												
	0.090	0.563	0.090						AIR	0.095(#2)	CL	P1-S	N,G,S
	U-Factor 0.34			SHGC (N / <1) 0.53 / 0.48					VT (N / <1) 0.64 / 0.57			CR	56
	142.094 SH / Opt 4 (Heavy ALU Refo LR/KR/BR/S, No Foam): clr / air / 80/70 (SS/SS) 3/4" IG												
	0.090	0.563	0.090						AIR	0.095(#3)	CL	P1-S	N,G,S
	U-Factor 0.34			SHGC (N / <1) 0.56 / 0.50					VT (N / <1) 0.64 / 0.57			CR	56

**NFRC 100/200/500 Summary Sheet
Windgate/Belmont/Stormgate Single Hung**

ID	Pane Thickness 1	Gap Width 1	Pane Thickness 2	Gap Width 2	Pane Thickness 3	Gap Width 3	Pane Thickness 4	Gap Fill	Low-e (Surface#)	Tint	Spacer	Grid Type
	U-Factor			Solar Heat Gain Coefficient (SHGC) Grids (None / <1 / >=1)				Visible Transmittance (VT) Grids (None / <1 / >=1)			Condensation Resistance	
298	142.094 SH / Opt 4 (Heavy ALU Refo LR/KR/BR/S, No Foam): 80/70 / arg / clr (SS/SS) 3/4" IG											
	0.090	0.563	0.090					ARG90	0.095(#2)	CL	P1-S	N,G,S
	U-Factor 0.31			SHGC (N / <1) 0.53 / 0.48				VT (N / <1) 0.64 / 0.57			CR 60	
	142.094 SH / Opt 4 (Heavy ALU Refo LR/KR/BR/S, No Foam): clr / arg / 80/70 (SS/SS) 3/4" IG											
	0.090	0.563	0.090					ARG90	0.095(#3)	CL	P1-S	N,G,S
	U-Factor 0.31			SHGC (N / <1) 0.56 / 0.50				VT (N / <1) 0.64 / 0.57			CR 60	
299	142.094 SH / Opt 4 (Heavy ALU Refo LR/KR/BR/S, No Foam): 80/70 / air / clr (DS/DS) 3/4" IG											
	0.117	0.500	0.117					AIR	0.095(#2)	CL	P1-S	N,G,S
	U-Factor 0.34			SHGC (N / <1) 0.52 / 0.47				VT (N / <1) 0.63 / 0.57			CR 55	
	142.094 SH / Opt 4 (Heavy ALU Refo LR/KR/BR/S, No Foam): clr / air / 80/70 (DS/DS) 3/4" IG											
	0.117	0.500	0.117					AIR	0.095(#3)	CL	P1-S	N,G,S
	U-Factor 0.34			SHGC (N / <1) 0.55 / 0.50				VT (N / <1) 0.63 / 0.57			CR 55	
300	142.094 SH / Opt 4 (Heavy ALU Refo LR/KR/BR/S, No Foam): 80/70 / arg / clr (DS/DS) 3/4" IG											
	0.117	0.500	0.117					ARG90	0.095(#2)	CL	P1-S	N,G,S
	U-Factor 0.30			SHGC (N / <1) 0.52 / 0.47				VT (N / <1) 0.63 / 0.57			CR 59	
	142.094 SH / Opt 4 (Heavy ALU Refo LR/KR/BR/S, No Foam): clr / arg / 80/70 (DS/DS) 3/4" IG											
	0.117	0.500	0.117					ARG90	0.095(#3)	CL	P1-S	N,G,S
	U-Factor 0.30			SHGC (N / <1) 0.55 / 0.50				VT (N / <1) 0.63 / 0.57			CR 59	
301	142.094 SH / Opt 4 (Heavy ALU Refo LR/KR/BR/S, No Foam): lami / arg / 80/70 (DS 090 DS/DS) 3/4" IG											
	0.264	0.345	0.117					ARG90	0.095(#3)	CL	P1-S	N,S
	U-Factor 0.32			SHGC (N / <1) 0.51 / 0.46				VT (N / <1) 0.62 / 0.56			CR 57	
	142.094 SH / Opt 4 (Heavy ALU Refo LR/KR/BR/S, No Foam): 80/70 / arg / lami (DS/DS 090 DS) 3/4" IG											
	0.117	0.345	0.264					ARG90	0.095(#2)	CL	P1-S	N,S
	U-Factor 0.32			SHGC (N / <1) 0.51 / 0.46				VT (N / <1) 0.62 / 0.56			CR 57	
302	142.094 SH / Opt 4 (Heavy ALU Refo LR/KR/BR/S, No Foam): lami / arg / 80/70 (DS 090 DS/DS) 3/4" IG											
	0.264	0.345	0.117					ARG90	0.095(#3)	CL	P1-S	G,S
	U-Factor 0.34			SHGC (<1) 0.46				VT (<1) 0.56			CR 57	
	142.094 SH / Opt 4 (Heavy ALU Refo LR/KR/BR/S, No Foam): 80/70 / arg / lami (DS/DS 090 DS) 3/4" IG											
	0.117	0.345	0.264					ARG90	0.095(#2)	CL	P1-S	G,S
	U-Factor 0.34			SHGC (<1) 0.46				VT (<1) 0.56			CR 57	

**NFRC 100/200/500 Summary Sheet
Windgate/Belmont/Stormgate Single Hung**

ID	Pane Thickness 1	Gap Width 1	Pane Thickness 2	Gap Width 2	Pane Thickness 3	Gap Width 3	Pane Thickness 4	Gap Width 4	Gap Fill	Low-e (Surface#)	Tint	Spacer	Grid Type
	U-Factor			Solar Heat Gain Coefficient (SHGC) Grids (None / <1 / >=1)				Visible Transmittance (VT) Grids (None / <1 / >=1)			Condensation Resistance		
303	142.094 SH / Opt 4 (Heavy ALU Refo LR/KR/BR/S, No Foam): 80/70 / arg / clr / arg / 80/70 (SS/SS/SS) 3/4" IG												
	0.090	0.250	0.090	0.250	0.090				ARG90	0.095(#2) / 0.095(#5)	CL	P1-S	N,S
	U-Factor 0.26			SHGC (N / <1) 0.47 / 0.42				VT (N / <1) 0.58 / 0.51			CR 64		
304	142.094 SH / Opt 4 (Heavy ALU Refo LR/KR/BR/S, No Foam): 80/70 / arg / clr / arg / 80/70 (SS/SS/SS) 3/4" IG												
	0.090	0.250	0.090	0.250	0.090				ARG90	0.095(#2) / 0.095(#5)	CL	P1-S	G,S
	U-Factor 0.27			SHGC (<1) 0.42				VT (<1) 0.51			CR 64		
305	142.094 SH / Opt 4 (Heavy ALU Refo LR/KR/BR/S, No Foam): clr / air / clr (SS/SS) 3/4" IG												
	0.087	0.563	0.087						AIR		CL	SS-D	N,G,S
	U-Factor 0.47			SHGC (N / <1) 0.63 / 0.56				VT (N / <1) 0.65 / 0.58			CR 44		
306	142.094 SH / Opt 4 (Heavy ALU Refo LR/KR/BR/S, No Foam): clr / air / clr (DS/DS) 3/4" IG												
	0.118	0.500	0.118						AIR		CL	SS-D	N,G,S
	U-Factor 0.47			SHGC (N / <1) 0.61 / 0.55				VT (N / <1) 0.65 / 0.58			CR 44		
307	142.094 SH / Opt 4 (Heavy ALU Refo LR/KR/BR/S, No Foam): clr / air / clr (5mm/DS) 3/4" IG												
	0.185	0.438	0.118						AIR		CL	SS-D	N,G,S
	U-Factor 0.48			SHGC (N / <1) 0.59 / 0.53				VT (N / <1) 0.64 / 0.57			CR 43		
308	142.094 SH / Opt 4 (Heavy ALU Refo LR/KR/BR/S, No Foam): clr / air / clr (5mm/DS) 3/4" IG												
	0.185	0.438	0.118						AIR		CL	SS-D	G
	U-Factor 0.48			SHGC (<1) 0.53				VT (<1) 0.57			CR 43		
309	142.094 SH / Opt 4 (Heavy ALU Refo LR/KR/BR/S, No Foam): lami / air / clr (DS 090 DS/DS) 3/4" IG												
	0.264	0.345	0.118						AIR		CL	SS-D	N,S
	U-Factor 0.49			SHGC (N / <1) 0.56 / 0.51				VT (N / <1) 0.63 / 0.57			CR 42		
310	142.094 SH / Opt 4 (Heavy ALU Refo LR/KR/BR/S, No Foam): clr / air / lami (DS/DS 090 DS) 3/4" IG												
	0.118	0.345	0.264						AIR		CL	SS-D	N,S
	U-Factor 0.49			SHGC (N / <1) 0.59 / 0.53				VT (N / <1) 0.63 / 0.57			CR 42		
310	142.094 SH / Opt 4 (Heavy ALU Refo LR/KR/BR/S, No Foam): lami / air / clr (DS 090 DS/DS) 3/4" IG												
	0.264	0.345	0.118						AIR		CL	SS-D	G,S
	U-Factor 0.50			SHGC (<1) 0.51				VT (<1) 0.57			CR 42		
310	142.094 SH / Opt 4 (Heavy ALU Refo LR/KR/BR/S, No Foam): clr / air / lami (DS/DS 090 DS) 3/4" IG												
	0.118	0.345	0.264						AIR		CL	SS-D	G,S
	U-Factor 0.50			SHGC (<1) 0.53				VT (<1) 0.57			CR 42		

**NFRC 100/200/500 Summary Sheet
Windgate/Belmont/Stormgate Single Hung**

ID	Pane Thickness 1	Gap Width 1	Pane Thickness 2	Gap Width 2	Pane Thickness 3	Gap Width 3	Pane Thickness 4	Gap Width 4	Gap Fill	Low-e (Surface#)	Tint	Spacer	Grid Type
	U-Factor			Solar Heat Gain Coefficient (SHGC) Grids (None / <1 / >=1)				Visible Transmittance (VT) Grids (None / <1 / >=1)			Condensation Resistance		
311	142.094 SH / Opt 4 (Heavy ALU Refo LR/KR/BR/S, No Foam): clr / air / clr / air / clr (SS/SS/SS) 3/4" IG (P1-S)												
	0.087	0.250	0.087	0.250	0.087				AIR		CL	SS-D	N,S
	U-Factor 0.39			SHGC (N / <1) 0.57 / 0.51				VT (N / <1) 0.60 / 0.54			CR 53		
312	142.094 SH / Opt 4 (Heavy ALU Refo LR/KR/BR/S, No Foam): clr / air / clr / air / clr (SS/SS/SS) 3/4" IG (P1-S)												
	0.087	0.250	0.087	0.250	0.087				AIR		CL	SS-D	G,S
	U-Factor 0.40			SHGC (<1) 0.51				VT (<1) 0.54			CR 53		
313	142.094 SH / Opt 4 (Heavy ALU Refo LR/KR/BR/S, No Foam): E270 / air / clr (SS/SS) 3/4" IG												
	0.087	0.563	0.087						AIR	0.037(#2)	CL	SS-D	N,G,S
	U-Factor 0.33			SHGC (N / <1) 0.30 / 0.27				VT (N / <1) 0.55 / 0.49			CR 55		
	142.094 SH / Opt 4 (Heavy ALU Refo LR/KR/BR/S, No Foam): clr / air / E270 (SS/SS) 3/4" IG												
	0.087	0.563	0.087						AIR	0.037(#3)	CL	SS-D	N,G,S
	U-Factor 0.33			SHGC (N / <1) 0.37 / 0.33				VT (N / <1) 0.55 / 0.49			CR 55		
314	142.094 SH / Opt 4 (Heavy ALU Refo LR/KR/BR/S, No Foam): E270 / arg / clr (SS/SS) 3/4" IG												
	0.087	0.563	0.087						ARG90	0.037(#2)	CL	SS-D	N,G,S
	U-Factor 0.30			SHGC (N / <1) 0.29 / 0.26				VT (N / <1) 0.55 / 0.49			CR 59		
	142.094 SH / Opt 4 (Heavy ALU Refo LR/KR/BR/S, No Foam): clr / arg / E270 (SS/SS) 3/4" IG												
	0.087	0.563	0.087						ARG90	0.037(#3)	CL	SS-D	N,G,S
	U-Factor 0.30			SHGC (N / <1) 0.37 / 0.33				VT (N / <1) 0.55 / 0.49			CR 59		
315	142.094 SH / Opt 4 (Heavy ALU Refo LR/KR/BR/S, No Foam): E270 / air / clr (DS/DS) 3/4" IG												
	0.118	0.500	0.118						AIR	0.037(#2)	CL	SS-D	N,G,S
	U-Factor 0.33			SHGC (N / <1) 0.30 / 0.27				VT (N / <1) 0.55 / 0.49			CR 55		
	142.094 SH / Opt 4 (Heavy ALU Refo LR/KR/BR/S, No Foam): clr / air / E270 (DS/DS) 3/4" IG												
	0.118	0.500	0.118						AIR	0.037(#3)	CL	SS-D	N,G,S
	U-Factor 0.33			SHGC (N / <1) 0.36 / 0.33				VT (N / <1) 0.55 / 0.49			CR 55		
316	142.094 SH / Opt 4 (Heavy ALU Refo LR/KR/BR/S, No Foam): E270 / arg / clr (DS/DS) 3/4" IG												
	0.118	0.500	0.118						ARG90	0.037(#2)	CL	SS-D	N,G,S
	U-Factor 0.30			SHGC (N / <1) 0.29 / 0.26				VT (N / <1) 0.55 / 0.49			CR 58		
	142.094 SH / Opt 4 (Heavy ALU Refo LR/KR/BR/S, No Foam): clr / arg / E270 (DS/DS) 3/4" IG												
	0.118	0.500	0.118						ARG90	0.037(#3)	CL	SS-D	N,G,S
	U-Factor 0.30			SHGC (N / <1) 0.36 / 0.33				VT (N / <1) 0.55 / 0.49			CR 58		

**NFRC 100/200/500 Summary Sheet
Windgate/Belmont/Stormgate Single Hung**

ID	Pane Thickness 1	Gap Width 1	Pane Thickness 2	Gap Width 2	Pane Thickness 3	Gap Width 3	Pane Thickness 4	Gap Fill	Low-e (Surface#)	Tint	Spacer	Grid Type
	U-Factor			Solar Heat Gain Coefficient (SHGC) Grids (None / <1 / >=1)				Visible Transmittance (VT) Grids (None / <1 / >=1)			Condensation Resistance	
317	142.094 SH / Opt 4 (Heavy ALU Refo LR/KR/BR/S, No Foam): lami / arg / E270 (DS 090 DS/DS) 3/4" IG											
	0.264	0.345	0.118					ARG90	0.037(#3)	CL	SS-D	N,S
	U-Factor 0.32			SHGC (N / <1) 0.35 / 0.31				VT (N / <1) 0.54 / 0.48			CR 56	
	142.094 SH / Opt 4 (Heavy ALU Refo LR/KR/BR/S, No Foam): E270 / arg / lami (DS/DS 090 DS) 3/4" IG											
	0.118	0.345	0.264					ARG90	0.037(#2)	CL	SS-D	N,S
	U-Factor 0.32			SHGC (N / <1) 0.29 / 0.26				VT (N / <1) 0.54 / 0.48			CR 56	
318	142.094 SH / Opt 4 (Heavy ALU Refo LR/KR/BR/S, No Foam): lami / arg / E270 (DS 090 DS/DS) 3/4" IG											
	0.264	0.345	0.118					ARG90	0.037(#3)	CL	SS-D	G,S
	U-Factor 0.33			SHGC (<1) 0.31				VT (<1) 0.48			CR 56	
	142.094 SH / Opt 4 (Heavy ALU Refo LR/KR/BR/S, No Foam): E270 / arg / lami (DS/DS 090 DS) 3/4" IG											
	0.118	0.345	0.264					ARG90	0.037(#2)	CL	SS-D	G,S
	U-Factor 0.33			SHGC (<1) 0.26				VT (<1) 0.48			CR 56	
319	142.094 SH / Opt 4 (Heavy ALU Refo LR/KR/BR/S, No Foam): E270 / arg / clr / arg / E270 (SS/SS/SS) 3/4" IG (SS-D)											
	0.087	0.266	0.087	0.266	0.087			ARG90	0.037(#2) / 0.037(#5)	CL	SS-D	N,S
	U-Factor 0.25			SHGC (N / <1) 0.25 / 0.23				VT (N / <1) 0.43 / 0.39			CR 63	
320	142.094 SH / Opt 4 (Heavy ALU Refo LR/KR/BR/S, No Foam): E270 / arg / clr / arg / E270 (SS/SS/SS) 3/4" IG (SS-D)											
	0.087	0.266	0.087	0.266	0.087			ARG90	0.037(#2) / 0.037(#5)	CL	SS-D	G,S
	U-Factor 0.26			SHGC (<1) 0.23				VT (<1) 0.39			CR 63	
321	142.094 SH / Opt 4 (Heavy ALU Refo LR/KR/BR/S, No Foam): E366 / air / clr (SS/SS) 3/4" IG											
	0.087	0.563	0.087					AIR	0.022(#2)	CL	SS-D	N,G,S
	U-Factor 0.33			SHGC (N / <1) 0.22 / 0.20				VT (N / <1) 0.51 / 0.46			CR 55	
	142.094 SH / Opt 4 (Heavy ALU Refo LR/KR/BR/S, No Foam): clr / air / E366 (SS/SS) 3/4" IG											
	0.087	0.563	0.087					AIR	0.022(#3)	CL	SS-D	N,G,S
	U-Factor 0.33			SHGC (N / <1) 0.31 / 0.28				VT (N / <1) 0.51 / 0.46			CR 55	
322	142.094 SH / Opt 4 (Heavy ALU Refo LR/KR/BR/S, No Foam): E366 / arg / clr (SS/SS) 3/4" IG											
	0.087	0.563	0.087					ARG90	0.022(#2)	CL	SS-D	N,G,S
	U-Factor 0.29			SHGC (N / <1) 0.22 / 0.20				VT (N / <1) 0.51 / 0.46			CR 59	
	142.094 SH / Opt 4 (Heavy ALU Refo LR/KR/BR/S, No Foam): clr / arg / E366 (SS/SS) 3/4" IG											
	0.087	0.563	0.087					ARG90	0.022(#3)	CL	SS-D	N,G,S
	U-Factor 0.29			SHGC (N / <1) 0.31 / 0.28				VT (N / <1) 0.51 / 0.46			CR 59	

**NFRC 100/200/500 Summary Sheet
Windgate/Belmont/Stormgate Single Hung**

ID	Pane Thickness 1	Gap Width 1	Pane Thickness 2	Gap Width 2	Pane Thickness 3	Gap Width 3	Pane Thickness 4	Gap Width 4	Gap Fill	Low-e (Surface#)	Tint	Spacer	Grid Type
	U-Factor			Solar Heat Gain Coefficient (SHGC) Grids (None / <1 / >=1)				Visible Transmittance (VT) Grids (None / <1 / >=1)			Condensation Resistance		
323	142.094 SH / Opt 4 (Heavy ALU Refo LR/KR/BR/S, No Foam): E366 / air / clr (DS/DS) 3/4" IG												
	0.117	0.500	0.118						AIR	0.022(#2)	CL	SS-D	N,G,S
	U-Factor 0.33			SHGC (N / <1) 0.22 / 0.20				VT (N / <1) 0.51 / 0.45			CR 55		
	142.094 SH / Opt 4 (Heavy ALU Refo LR/KR/BR/S, No Foam): clr / air / E366 (DS/DS) 3/4" IG												
	0.118	0.500	0.117						AIR	0.022(#3)	CL	SS-D	N,G,S
	U-Factor 0.33			SHGC (N / <1) 0.30 / 0.28				VT (N / <1) 0.51 / 0.45			CR 55		
324	142.094 SH / Opt 4 (Heavy ALU Refo LR/KR/BR/S, No Foam): E366 / arg / clr (DS/DS) 3/4" IG												
	0.117	0.500	0.118						ARG90	0.022(#2)	CL	SS-D	N,G,S
	U-Factor 0.29			SHGC (N / <1) 0.22 / 0.20				VT (N / <1) 0.51 / 0.45			CR 58		
	142.094 SH / Opt 4 (Heavy ALU Refo LR/KR/BR/S, No Foam): clr / arg / E366 (DS/DS) 3/4" IG												
	0.118	0.500	0.117						ARG90	0.022(#3)	CL	SS-D	N,G,S
	U-Factor 0.29			SHGC (N / <1) 0.31 / 0.28				VT (N / <1) 0.51 / 0.45			CR 58		
325	142.094 SH / Opt 4 (Heavy ALU Refo LR/KR/BR/S, No Foam): lami / arg / E366 (DS 090 DS/DS) 3/4" IG												
	0.264	0.345	0.117						ARG90	0.022(#3)	CL	SS-D	N,S
	U-Factor 0.31			SHGC (N / <1) 0.29 / 0.27				VT (N / <1) 0.50 / 0.44			CR 56		
	142.094 SH / Opt 4 (Heavy ALU Refo LR/KR/BR/S, No Foam): E366 / arg / lami (DS/DS 090 DS) 3/4" IG												
	0.117	0.345	0.264						ARG90	0.022(#2)	CL	SS-D	N,S
	U-Factor 0.31			SHGC (N / <1) 0.22 / 0.20				VT (N / <1) 0.50 / 0.44			CR 56		
326	142.094 SH / Opt 4 (Heavy ALU Refo LR/KR/BR/S, No Foam): lami / arg / E366 (DS 090 DS/DS) 3/4" IG												
	0.264	0.345	0.117						ARG90	0.022(#3)	CL	SS-D	G,S
	U-Factor 0.33			SHGC (<1) 0.27				VT (<1) 0.44			CR 56		
	142.094 SH / Opt 4 (Heavy ALU Refo LR/KR/BR/S, No Foam): E366 / arg / lami (DS/DS 090 DS) 3/4" IG												
	0.117	0.345	0.264						ARG90	0.022(#2)	CL	SS-D	G,S
	U-Factor 0.33			SHGC (<1) 0.20				VT (<1) 0.44			CR 56		
327	142.094 SH / Opt 4 (Heavy ALU Refo LR/KR/BR/S, No Foam): E366 / arg / clr / arg / E366 (SS/SS/SS) 3/4" IG (SS-D)												
	0.087	0.266	0.087	0.266	0.087				ARG90	0.022(#2) / 0.022(#5)	CL	SS-D	N,S
	U-Factor 0.25			SHGC (N / <1) 0.19 / 0.17				VT (N / <1) 0.37 / 0.33			CR 63		
328	142.094 SH / Opt 4 (Heavy ALU Refo LR/KR/BR/S, No Foam): E366 / arg / clr / arg / E366 (SS/SS/SS) 3/4" IG (SS-D)												
	0.087	0.266	0.087	0.266	0.087				ARG90	0.022(#2) / 0.022(#5)	CL	SS-D	G,S
	U-Factor 0.25			SHGC (<1) 0.17				VT (<1) 0.33			CR 63		

**NFRC 100/200/500 Summary Sheet
Windgate/Belmont/Stormgate Single Hung**

ID	Pane Thickness 1	Gap Width 1	Pane Thickness 2	Gap Width 2	Pane Thickness 3	Gap Width 3	Pane Thickness 4	Gap Width 4	Gap Fill	Low-e (Surface#)	Tint	Spacer	Grid Type
	U-Factor			Solar Heat Gain Coefficient (SHGC) Grids (None / <1 / >=1)				Visible Transmittance (VT) Grids (None / <1 / >=1)			Condensation Resistance		
329	142.094 SH / Opt 4 (Heavy ALU Refo LR/KR/BR/S, No Foam): clr / air / clr (SS/SS) 3/4" IG												
	0.087	0.563	0.087						AIR		CL	TS-D	N,G,S
	U-Factor 0.47			SHGC (N / <1) 0.63 / 0.56				VT (N / <1) 0.65 / 0.58			CR 44		
330	142.094 SH / Opt 4 (Heavy ALU Refo LR/KR/BR/S, No Foam): clr / air / clr (DS/DS) 3/4" IG												
	0.118	0.500	0.118						AIR		CL	TS-D	N,G,S
	U-Factor 0.47			SHGC (N / <1) 0.61 / 0.55				VT (N / <1) 0.65 / 0.58			CR 43		
331	142.094 SH / Opt 4 (Heavy ALU Refo LR/KR/BR/S, No Foam): clr / air / clr (5mm/DS) 3/4" IG												
	0.185	0.438	0.118						AIR		CL	TS-D	N,G,S
	U-Factor 0.48			SHGC (N / <1) 0.59 / 0.53				VT (N / <1) 0.64 / 0.57			CR 43		
332	142.094 SH / Opt 4 (Heavy ALU Refo LR/KR/BR/S, No Foam): clr / air / clr (5mm/DS) 3/4" IG												
	0.185	0.438	0.118						AIR		CL	TS-D	G
	U-Factor 0.48			SHGC (<1) 0.53				VT (<1) 0.57			CR 43		
333	142.094 SH / Opt 4 (Heavy ALU Refo LR/KR/BR/S, No Foam): lami / air / clr (DS 090 DS/DS) 3/4" IG												
	0.264	0.345	0.118						AIR		CL	TS-D	N,S
	U-Factor 0.49			SHGC (N / <1) 0.56 / 0.51				VT (N / <1) 0.63 / 0.57			CR 42		
	142.094 SH / Opt 4 (Heavy ALU Refo LR/KR/BR/S, No Foam): clr / air / lami (DS/DS 090 DS) 3/4" IG												
	0.118	0.345	0.264						AIR		CL	TS-D	N,S
	U-Factor 0.49			SHGC (N / <1) 0.59 / 0.53				VT (N / <1) 0.63 / 0.57			CR 42		
334	142.094 SH / Opt 4 (Heavy ALU Refo LR/KR/BR/S, No Foam): lami / air / clr (DS 090 DS/DS) 3/4" IG												
	0.264	0.345	0.118						AIR		CL	TS-D	G,S
	U-Factor 0.50			SHGC (<1) 0.51				VT (<1) 0.57			CR 42		
	142.094 SH / Opt 4 (Heavy ALU Refo LR/KR/BR/S, No Foam): clr / air / lami (DS/DS 090 DS) 3/4" IG												
	0.118	0.345	0.264						AIR		CL	TS-D	G,S
	U-Factor 0.50			SHGC (<1) 0.53				VT (<1) 0.57			CR 42		
335	142.094 SH / Opt 4 (Heavy ALU Refo LR/KR/BR/S, No Foam): clr / air / clr / air / clr (SS/SS/SS) 3/4" IG (P1-S)												
	0.087	0.250	0.087	0.250	0.087				AIR		CL	TS-D	N,S
	U-Factor 0.40			SHGC (N / <1) 0.57 / 0.51				VT (N / <1) 0.60 / 0.54			CR 52		
336	142.094 SH / Opt 4 (Heavy ALU Refo LR/KR/BR/S, No Foam): clr / air / clr / air / clr (SS/SS/SS) 3/4" IG (P1-S)												
	0.087	0.250	0.087	0.250	0.087				AIR		CL	TS-D	G,S
	U-Factor 0.41			SHGC (<1) 0.51				VT (<1) 0.54			CR 52		

**NFRC 100/200/500 Summary Sheet
Windgate/Belmont/Stormgate Single Hung**

ID	Pane Thickness 1	Gap Width 1	Pane Thickness 2	Gap Width 2	Pane Thickness 3	Gap Width 3	Pane Thickness 4	Gap Fill	Low-e (Surface#)	Tint	Spacer	Grid Type
	U-Factor			Solar Heat Gain Coefficient (SHGC) Grids (None / <1 / >=1)				Visible Transmittance (VT) Grids (None / <1 / >=1)			Condensation Resistance	
337	142.094 SH / Opt 4 (Heavy ALU Refo LR/KR/BR/S, No Foam): 70/36 / air / clr (SS/SS) 3/4" IG											
	0.090	0.563	0.090					AIR	0.036(#2)	CL	TS-D	N,G,S
	U-Factor 0.34			SHGC (N / <1) 0.31 / 0.28				VT (N / <1) 0.55 / 0.49			CR	54
	142.094 SH / Opt 4 (Heavy ALU Refo LR/KR/BR/S, No Foam): clr / air / 70/36 (SS/SS) 3/4" IG											
	0.090	0.563	0.090					AIR	0.036(#3)	CL	TS-D	N,G,S
	U-Factor 0.34			SHGC (N / <1) 0.39 / 0.35				VT (N / <1) 0.55 / 0.49			CR	54
338	142.094 SH / Opt 4 (Heavy ALU Refo LR/KR/BR/S, No Foam): 70/36 / arg / clr (SS/SS) 3/4" IG											
	0.090	0.563	0.090					ARG90	0.036(#2)	CL	TS-D	N,G,S
	U-Factor 0.30			SHGC (N / <1) 0.31 / 0.28				VT (N / <1) 0.55 / 0.49			CR	57
	142.094 SH / Opt 4 (Heavy ALU Refo LR/KR/BR/S, No Foam): clr / arg / 70/36 (SS/SS) 3/4" IG											
	0.090	0.563	0.090					ARG90	0.036(#3)	CL	TS-D	N,G,S
	U-Factor 0.30			SHGC (N / <1) 0.39 / 0.35				VT (N / <1) 0.55 / 0.49			CR	57
339	142.094 SH / Opt 4 (Heavy ALU Refo LR/KR/BR/S, No Foam): 70/36 / air / clr (DS/DS) 3/4" IG											
	0.117	0.500	0.117					AIR	0.036(#2)	CL	TS-D	N,G,S
	U-Factor 0.33			SHGC (N / <1) 0.31 / 0.28				VT (N / <1) 0.55 / 0.49			CR	53
	142.094 SH / Opt 4 (Heavy ALU Refo LR/KR/BR/S, No Foam): clr / air / 70/36 (DS/DS) 3/4" IG											
	0.117	0.500	0.117					AIR	0.036(#3)	CL	TS-D	N,G,S
	U-Factor 0.33			SHGC (N / <1) 0.38 / 0.34				VT (N / <1) 0.55 / 0.49			CR	53
340	142.094 SH / Opt 4 (Heavy ALU Refo LR/KR/BR/S, No Foam): 70/36 / arg / clr (DS/DS) 3/4" IG											
	0.117	0.500	0.117					ARG90	0.036(#2)	CL	TS-D	N,G,S
	U-Factor 0.30			SHGC (N / <1) 0.30 / 0.27				VT (N / <1) 0.55 / 0.49			CR	56
	142.094 SH / Opt 4 (Heavy ALU Refo LR/KR/BR/S, No Foam): clr / arg / 70/36 (DS/DS) 3/4" IG											
	0.117	0.500	0.117					ARG90	0.036(#3)	CL	TS-D	N,G,S
	U-Factor 0.30			SHGC (N / <1) 0.38 / 0.35				VT (N / <1) 0.55 / 0.49			CR	56
341	142.094 SH / Opt 4 (Heavy ALU Refo LR/KR/BR/S, No Foam): lami / arg / 70/36 (DS 090 DS/DS) 3/4" IG											
	0.264	0.345	0.117					ARG90	0.036(#3)	CL	TS-D	N,S
	U-Factor 0.32			SHGC (N / <1) 0.36 / 0.33				VT (N / <1) 0.54 / 0.48			CR	55
	142.094 SH / Opt 4 (Heavy ALU Refo LR/KR/BR/S, No Foam): 70/36 / arg / lami (DS/DS 090 DS) 3/4" IG											
	0.117	0.345	0.264					ARG90	0.036(#2)	CL	TS-D	N,S
	U-Factor 0.32			SHGC (N / <1) 0.30 / 0.27				VT (N / <1) 0.54 / 0.48			CR	55

**NFRC 100/200/500 Summary Sheet
Windgate/Belmont/Stormgate Single Hung**

ID	Pane Thickness 1	Gap Width 1	Pane Thickness 2	Gap Width 2	Pane Thickness 3	Gap Width 3	Pane Thickness 4	Gap Fill	Low-e (Surface#)	Tint	Spacer	Grid Type
	U-Factor			Solar Heat Gain Coefficient (SHGC) Grids (None / <1 / >=1)				Visible Transmittance (VT) Grids (None / <1 / >=1)			Condensation Resistance	
342	142.094 SH / Opt 4 (Heavy ALU Refo LR/KR/BR/S, No Foam): lami / arg / 70/36 (DS 090 DS/DS) 3/4" IG											
	0.264	0.345	0.117					ARG90	0.036(#3)	CL	TS-D	G,S
	U-Factor 0.33			SHGC (<1) 0.33				VT (<1) 0.48			CR 55	
	142.094 SH / Opt 4 (Heavy ALU Refo LR/KR/BR/S, No Foam): 70/36 / arg / lami (DS/DS 090 DS) 3/4" IG											
	0.117	0.345	0.264					ARG90	0.036(#2)	CL	TS-D	G,S
	U-Factor 0.33			SHGC (<1) 0.27				VT (<1) 0.48			CR 55	
343	142.094 SH / Opt 4 (Heavy ALU Refo LR/KR/BR/S, No Foam): 70/36 / arg / clr / arg / 70/36 (SS/SS/SS) 3/4" IG											
	0.090	0.250	0.090	0.250	0.090			ARG90	0.036(#2) / 0.036(#5)	CL	TS-D	N,S
	U-Factor 0.26			SHGC (N / <1) 0.26 / 0.24				VT (N / <1) 0.43 / 0.39			CR 62	
344	142.094 SH / Opt 4 (Heavy ALU Refo LR/KR/BR/S, No Foam): 70/36 / arg / clr / arg / 70/36 (SS/SS/SS) 3/4" IG											
	0.090	0.250	0.090	0.250	0.090			ARG90	0.036(#2) / 0.036(#5)	CL	TS-D	G,S
	U-Factor 0.27			SHGC (<1) 0.24				VT (<1) 0.39			CR 62	
345	142.094 SH / Opt 4 (Heavy ALU Refo LR/KR/BR/S, No Foam): 80/70 / air / clr (SS/SS) 3/4" IG											
	0.090	0.563	0.090					AIR	0.095(#2)	CL	TS-D	N,G,S
	U-Factor 0.35			SHGC (N / <1) 0.53 / 0.48				VT (N / <1) 0.64 / 0.57			CR 53	
	142.094 SH / Opt 4 (Heavy ALU Refo LR/KR/BR/S, No Foam): clr / air / 80/70 (SS/SS) 3/4" IG											
	0.090	0.563	0.090					AIR	0.095(#3)	CL	TS-D	N,G,S
	U-Factor 0.35			SHGC (N / <1) 0.56 / 0.50				VT (N / <1) 0.64 / 0.57			CR 53	
346	142.094 SH / Opt 4 (Heavy ALU Refo LR/KR/BR/S, No Foam): 80/70 / arg / clr (SS/SS) 3/4" IG											
	0.090	0.563	0.090					ARG90	0.095(#2)	CL	TS-D	N,G,S
	U-Factor 0.32			SHGC (N / <1) 0.53 / 0.48				VT (N / <1) 0.64 / 0.57			CR 56	
	142.094 SH / Opt 4 (Heavy ALU Refo LR/KR/BR/S, No Foam): clr / arg / 80/70 (SS/SS) 3/4" IG											
	0.090	0.563	0.090					ARG90	0.095(#3)	CL	TS-D	N,G,S
	U-Factor 0.32			SHGC (N / <1) 0.56 / 0.50				VT (N / <1) 0.64 / 0.57			CR 56	
347	142.094 SH / Opt 4 (Heavy ALU Refo LR/KR/BR/S, No Foam): 80/70 / air / clr (DS/DS) 3/4" IG											
	0.117	0.500	0.117					AIR	0.095(#2)	CL	TS-D	N,G,S
	U-Factor 0.35			SHGC (N / <1) 0.52 / 0.47				VT (N / <1) 0.63 / 0.57			CR 52	
	142.094 SH / Opt 4 (Heavy ALU Refo LR/KR/BR/S, No Foam): clr / air / 80/70 (DS/DS) 3/4" IG											
	0.117	0.500	0.117					AIR	0.095(#3)	CL	TS-D	N,G,S
	U-Factor 0.35			SHGC (N / <1) 0.55 / 0.50				VT (N / <1) 0.63 / 0.57			CR 52	

**NFRC 100/200/500 Summary Sheet
Windgate/Belmont/Stormgate Single Hung**

ID	Pane Thickness 1	Gap Width 1	Pane Thickness 2	Gap Width 2	Pane Thickness 3	Gap Width 3	Pane Thickness 4	Gap Width 4	Gap Fill	Low-e (Surface#)	Tint	Spacer	Grid Type
	U-Factor			Solar Heat Gain Coefficient (SHGC) Grids (None / <1 / >=1)				Visible Transmittance (VT) Grids (None / <1 / >=1)			Condensation Resistance		
348	142.094 SH / Opt 4 (Heavy ALU Refo LR/KR/BR/S, No Foam): 80/70 / arg / clr (DS/DS) 3/4" IG												
	0.117	0.500	0.117						ARG90	0.095(#2)	CL	TS-D	N,G,S
	U-Factor 0.32			SHGC (N / <1) 0.52 / 0.47				VT (N / <1) 0.63 / 0.57			CR 55		
	142.094 SH / Opt 4 (Heavy ALU Refo LR/KR/BR/S, No Foam): clr / arg / 80/70 (DS/DS) 3/4" IG												
	0.117	0.500	0.117						ARG90	0.095(#3)	CL	TS-D	N,G,S
	U-Factor 0.32			SHGC (N / <1) 0.55 / 0.50				VT (N / <1) 0.63 / 0.57			CR 55		
349	142.094 SH / Opt 4 (Heavy ALU Refo LR/KR/BR/S, No Foam): lami / arg / 80/70 (DS 090 DS/DS) 3/4" IG												
	0.264	0.345	0.117						ARG90	0.095(#3)	CL	TS-D	N,S
	U-Factor 0.34			SHGC (N / <1) 0.51 / 0.46				VT (N / <1) 0.62 / 0.56			CR 54		
	142.094 SH / Opt 4 (Heavy ALU Refo LR/KR/BR/S, No Foam): 80/70 / arg / lami (DS/DS 090 DS) 3/4" IG												
	0.117	0.345	0.264						ARG90	0.095(#2)	CL	TS-D	N,S
	U-Factor 0.34			SHGC (N / <1) 0.51 / 0.46				VT (N / <1) 0.62 / 0.56			CR 54		
350	142.094 SH / Opt 4 (Heavy ALU Refo LR/KR/BR/S, No Foam): lami / arg / 80/70 (DS 090 DS/DS) 3/4" IG												
	0.264	0.345	0.117						ARG90	0.095(#3)	CL	TS-D	G,S
	U-Factor 0.35			SHGC (<1) 0.46				VT (<1) 0.56			CR 54		
	142.094 SH / Opt 4 (Heavy ALU Refo LR/KR/BR/S, No Foam): 80/70 / arg / lami (DS/DS 090 DS) 3/4" IG												
	0.117	0.345	0.264						ARG90	0.095(#2)	CL	TS-D	G,S
	U-Factor 0.35			SHGC (<1) 0.46				VT (<1) 0.56			CR 54		
351	142.094 SH / Opt 4 (Heavy ALU Refo LR/KR/BR/S, No Foam): 80/70 / arg / clr / arg / 80/70 (SS/SS/SS) 3/4" IG												
	0.090	0.250	0.090	0.250	0.090				ARG90	0.095(#2) / 0.095(#5)	CL	TS-D	N,S
	U-Factor 0.27			SHGC (N / <1) 0.47 / 0.42				VT (N / <1) 0.58 / 0.51			CR 62		
352	142.094 SH / Opt 4 (Heavy ALU Refo LR/KR/BR/S, No Foam): 80/70 / arg / clr / arg / 80/70 (SS/SS/SS) 3/4" IG												
	0.090	0.250	0.090	0.250	0.090				ARG90	0.095(#2) / 0.095(#5)	CL	TS-D	G,S
	U-Factor 0.28			SHGC (<1) 0.42				VT (<1) 0.51			CR 62		
353	142.094 SH / Opt 5 (INN Refo LR/KR/BR, No Foam): clr / air / clr (SS/SS) 3/4" IG												
	0.087	0.563	0.087						AIR		CL	P1-S	N,G,S
	U-Factor 0.45			SHGC (N / <1) 0.63 / 0.56				VT (N / <1) 0.65 / 0.58			CR 46		
354	142.094 SH / Opt 5 (INN Refo LR/KR/BR, No Foam): clr / air / clr (DS/DS) 3/4" IG												
	0.118	0.500	0.118						AIR		CL	P1-S	N,G,S
	U-Factor 0.45			SHGC (N / <1) 0.61 / 0.55				VT (N / <1) 0.65 / 0.58			CR 45		

**NFRC 100/200/500 Summary Sheet
Windgate/Belmont/Stormgate Single Hung**

ID	Pane Thickness 1	Gap Width 1	Pane Thickness 2	Gap Width 2	Pane Thickness 3	Gap Width 3	Pane Thickness 4	Gap Width 4	Gap Fill	Low-e (Surface#)	Tint	Spacer	Grid Type
	U-Factor			Solar Heat Gain Coefficient (SHGC) Grids (None / <1 / >=1)				Visible Transmittance (VT) Grids (None / <1 / >=1)			Condensation Resistance		
355	142.094 SH / Opt 5 (INN Refo LR/KR/BR, No Foam): clr / air / clr (5mm/DS) 3/4" IG												
	0.185	0.438	0.118						AIR		CL	P1-S	N,G,S
	U-Factor 0.46			SHGC (N / <1) 0.59 / 0.53				VT (N / <1) 0.64 / 0.57			CR 45		
356	142.094 SH / Opt 5 (INN Refo LR/KR/BR, No Foam): clr / air / clr (5mm/DS) 3/4" IG												
	0.185	0.438	0.118						AIR		CL	P1-S	G
	U-Factor 0.46			SHGC (<1) 0.53				VT (<1) 0.57			CR 45		
357	142.094 SH / Opt 5 (INN Refo LR/KR/BR, No Foam): lami / air / clr (DS 090 DS/DS) 3/4" IG												
	0.264	0.345	0.118						AIR		CL	P1-S	N,S
	U-Factor 0.47			SHGC (N / <1) 0.56 / 0.51				VT (N / <1) 0.63 / 0.57			CR 44		
	142.094 SH / Opt 5 (INN Refo LR/KR/BR, No Foam): clr / air / lami (DS/DS 090 DS) 3/4" IG												
	0.118	0.345	0.264						AIR		CL	P1-S	N,S
	U-Factor 0.47			SHGC (N / <1) 0.59 / 0.53				VT (N / <1) 0.63 / 0.57			CR 44		
358	142.094 SH / Opt 5 (INN Refo LR/KR/BR, No Foam): lami / air / clr (DS 090 DS/DS) 3/4" IG												
	0.264	0.345	0.118						AIR		CL	P1-S	G,S
	U-Factor 0.48			SHGC (<1) 0.51				VT (<1) 0.57			CR 44		
	142.094 SH / Opt 5 (INN Refo LR/KR/BR, No Foam): clr / air / lami (DS/DS 090 DS) 3/4" IG												
	0.118	0.345	0.264						AIR		CL	P1-S	G,S
	U-Factor 0.48			SHGC (<1) 0.53				VT (<1) 0.57			CR 44		
359	142.094 SH / Opt 5 (INN Refo LR/KR/BR, No Foam): clr / air / clr / air / clr (SS/SS/SS) 3/4" IG (P1-S)												
	0.087	0.250	0.087	0.250	0.087				AIR		CL	P1-S	N,S
	U-Factor 0.38			SHGC (N / <1) 0.57 / 0.51				VT (N / <1) 0.60 / 0.54			CR 54		
360	142.094 SH / Opt 5 (INN Refo LR/KR/BR, No Foam): clr / air / clr / air / clr (SS/SS/SS) 3/4" IG (P1-S)												
	0.087	0.250	0.087	0.250	0.087				AIR		CL	P1-S	G,S
	U-Factor 0.39			SHGC (<1) 0.51				VT (<1) 0.54			CR 54		
361	142.094 SH / Opt 5 (INN Refo LR/KR/BR, No Foam): E270 / air / clr (SS/SS) 3/4" IG												
	0.087	0.563	0.087						AIR	0.037(#2)	CL	P1-S	N,G,S
	U-Factor 0.31			SHGC (N / <1) 0.30 / 0.27				VT (N / <1) 0.55 / 0.49			CR 58		
	142.094 SH / Opt 5 (INN Refo LR/KR/BR, No Foam): clr / air / E270 (SS/SS) 3/4" IG												
	0.087	0.563	0.087						AIR	0.037(#3)	CL	P1-S	N,G,S
	U-Factor 0.31			SHGC (N / <1) 0.37 / 0.33				VT (N / <1) 0.55 / 0.49			CR 58		

NFRC 100/200/500 Summary Sheet Windgate/Belmont/Stormgate Single Hung

ID	Pane Thickness 1	Gap Width 1	Pane Thickness 2	Gap Width 2	Pane Thickness 3	Gap Width 3	Pane Thickness 4	Gap Fill	Low-e (Surface#)	Tint	Spacer	Grid Type
	U-Factor			Solar Heat Gain Coefficient (SHGC) Grids (None / <1 / >=1)				Visible Transmittance (VT) Grids (None / <1 / >=1)			Condensation Resistance	
362	142.094 SH / Opt 5 (INN Refo LR/KR/BR, No Foam): E270 / arg / clr (SS/SS) 3/4" IG											
	0.087	0.563	0.087					ARG90	0.037(#2)	CL	P1-S	N,G,S
	U-Factor 0.28			SHGC (N / <1) 0.29 / 0.26				VT (N / <1) 0.55 / 0.49			CR 62	
	142.094 SH / Opt 5 (INN Refo LR/KR/BR, No Foam): clr / arg / E270 (SS/SS) 3/4" IG											
	0.087	0.563	0.087					ARG90	0.037(#3)	CL	P1-S	N,G,S
	U-Factor 0.28			SHGC (N / <1) 0.37 / 0.33				VT (N / <1) 0.55 / 0.49			CR 62	
363	142.094 SH / Opt 5 (INN Refo LR/KR/BR, No Foam): E270 / air / clr (DS/DS) 3/4" IG											
	0.118	0.500	0.118					AIR	0.037(#2)	CL	P1-S	N,G,S
	U-Factor 0.31			SHGC (N / <1) 0.30 / 0.27				VT (N / <1) 0.55 / 0.49			CR 57	
	142.094 SH / Opt 5 (INN Refo LR/KR/BR, No Foam): clr / air / E270 (DS/DS) 3/4" IG											
	0.118	0.500	0.118					AIR	0.037(#3)	CL	P1-S	N,G,S
	U-Factor 0.31			SHGC (N / <1) 0.36 / 0.33				VT (N / <1) 0.55 / 0.49			CR 57	
364	142.094 SH / Opt 5 (INN Refo LR/KR/BR, No Foam): E270 / arg / clr (DS/DS) 3/4" IG											
	0.118	0.500	0.118					ARG90	0.037(#2)	CL	P1-S	N,G,S
	U-Factor 0.28			SHGC (N / <1) 0.29 / 0.26				VT (N / <1) 0.55 / 0.49			CR 61	
	142.094 SH / Opt 5 (INN Refo LR/KR/BR, No Foam): clr / arg / E270 (DS/DS) 3/4" IG											
	0.118	0.500	0.118					ARG90	0.037(#3)	CL	P1-S	N,G,S
	U-Factor 0.28			SHGC (N / <1) 0.36 / 0.33				VT (N / <1) 0.55 / 0.49			CR 61	
365	142.094 SH / Opt 5 (INN Refo LR/KR/BR, No Foam): lami / arg / E270 (DS 090 DS/DS) 3/4" IG											
	0.264	0.345	0.118					ARG90	0.037(#3)	CL	P1-S	N,S
	U-Factor 0.30			SHGC (N / <1) 0.35 / 0.31				VT (N / <1) 0.54 / 0.48			CR 59	
	142.094 SH / Opt 5 (INN Refo LR/KR/BR, No Foam): E270 / arg / lami (DS/DS 090 DS) 3/4" IG											
	0.118	0.345	0.264					ARG90	0.037(#2)	CL	P1-S	N,S
	U-Factor 0.30			SHGC (N / <1) 0.29 / 0.26				VT (N / <1) 0.54 / 0.48			CR 59	
366	142.094 SH / Opt 5 (INN Refo LR/KR/BR, No Foam): lami / arg / E270 (DS 090 DS/DS) 3/4" IG											
	0.264	0.345	0.118					ARG90	0.037(#3)	CL	P1-S	G,S
	U-Factor 0.31			SHGC (<1) 0.31				VT (<1) 0.48			CR 59	
	142.094 SH / Opt 5 (INN Refo LR/KR/BR, No Foam): E270 / arg / lami (DS/DS 090 DS) 3/4" IG											
	0.118	0.345	0.264					ARG90	0.037(#2)	CL	P1-S	G,S
	U-Factor 0.31			SHGC (<1) 0.26				VT (<1) 0.48			CR 59	

**NFRC 100/200/500 Summary Sheet
Windgate/Belmont/Stormgate Single Hung**

ID	Pane Thickness 1	Gap Width 1	Pane Thickness 2	Gap Width 2	Pane Thickness 3	Gap Width 3	Pane Thickness 4	Gap Width 4	Gap Fill	Low-e (Surface#)	Tint	Spacer	Grid Type
	U-Factor			Solar Heat Gain Coefficient (SHGC) Grids (None / <1 / >=1)				Visible Transmittance (VT) Grids (None / <1 / >=1)			Condensation Resistance		
367	142.094 SH / Opt 5 (INN Refo LR/KR/BR, No Foam): E270 / arg / clr / arg / E270 (SS/SS/SS) 3/4" IG (P1-S)												
	0.087	0.250	0.087	0.250	0.087				ARG90	0.037(#2) / 0.037(#5)	CL	P1-S	N,S
	U-Factor 0.24			SHGC (N / <1) 0.25 / 0.23				VT (N / <1) 0.43 / 0.39			CR 69		
368	142.094 SH / Opt 5 (INN Refo LR/KR/BR, No Foam): E270 / arg / clr / arg / E270 (SS/SS/SS) 3/4" IG (P1-S)												
	0.087	0.250	0.087	0.250	0.087				ARG90	0.037(#2) / 0.037(#5)	CL	P1-S	G,S
	U-Factor 0.25			SHGC (<1) 0.23				VT (<1) 0.39			CR 69		
369	142.094 SH / Opt 5 (INN Refo LR/KR/BR, No Foam): E366 / air / clr (SS/SS) 3/4" IG												
	0.087	0.563	0.087						AIR	0.022(#2)	CL	P1-S	N,G,S
	U-Factor 0.31			SHGC (N / <1) 0.22 / 0.20				VT (N / <1) 0.51 / 0.46			CR 59		
	142.094 SH / Opt 5 (INN Refo LR/KR/BR, No Foam): clr / air / E366 (SS/SS) 3/4" IG												
	0.087	0.563	0.087						AIR	0.022(#3)	CL	P1-S	N,G,S
	U-Factor 0.31			SHGC (N / <1) 0.31 / 0.28				VT (N / <1) 0.51 / 0.46			CR 59		
370	142.094 SH / Opt 5 (INN Refo LR/KR/BR, No Foam): E366 / arg / clr (SS/SS) 3/4" IG												
	0.087	0.563	0.087						ARG90	0.022(#2)	CL	P1-S	N,G,S
	U-Factor 0.27			SHGC (N / <1) 0.22 / 0.20				VT (N / <1) 0.51 / 0.46			CR 63		
	142.094 SH / Opt 5 (INN Refo LR/KR/BR, No Foam): clr / arg / E366 (SS/SS) 3/4" IG												
	0.087	0.563	0.087						ARG90	0.022(#3)	CL	P1-S	N,G,S
	U-Factor 0.27			SHGC (N / <1) 0.31 / 0.28				VT (N / <1) 0.51 / 0.46			CR 63		
371	142.094 SH / Opt 5 (INN Refo LR/KR/BR, No Foam): E366 / air / clr (DS/DS) 3/4" IG												
	0.117	0.500	0.118						AIR	0.022(#2)	CL	P1-S	N,G,S
	U-Factor 0.31			SHGC (N / <1) 0.22 / 0.20				VT (N / <1) 0.51 / 0.45			CR 58		
	142.094 SH / Opt 5 (INN Refo LR/KR/BR, No Foam): clr / air / E366 (DS/DS) 3/4" IG												
	0.118	0.500	0.117						AIR	0.022(#3)	CL	P1-S	N,G,S
	U-Factor 0.31			SHGC (N / <1) 0.30 / 0.28				VT (N / <1) 0.51 / 0.45			CR 58		
372	142.094 SH / Opt 5 (INN Refo LR/KR/BR, No Foam): E366 / arg / clr (DS/DS) 3/4" IG												
	0.117	0.500	0.118						ARG90	0.022(#2)	CL	P1-S	N,G,S
	U-Factor 0.27			SHGC (N / <1) 0.22 / 0.20				VT (N / <1) 0.51 / 0.45			CR 62		
	142.094 SH / Opt 5 (INN Refo LR/KR/BR, No Foam): clr / arg / E366 (DS/DS) 3/4" IG												
	0.118	0.500	0.117						ARG90	0.022(#3)	CL	P1-S	N,G,S
	U-Factor 0.27			SHGC (N / <1) 0.31 / 0.28				VT (N / <1) 0.51 / 0.45			CR 62		

**NFRC 100/200/500 Summary Sheet
Windgate/Belmont/Stormgate Single Hung**

ID	Pane Thickness 1	Gap Width 1	Pane Thickness 2	Gap Width 2	Pane Thickness 3	Gap Width 3	Pane Thickness 4	Gap Fill	Low-e (Surface#)	Tint	Spacer	Grid Type
	U-Factor			Solar Heat Gain Coefficient (SHGC) Grids (None / <1 / >=1)				Visible Transmittance (VT) Grids (None / <1 / >=1)			Condensation Resistance	
373	142.094 SH / Opt 5 (INN Refo LR/KR/BR, No Foam): lami / arg / E366 (DS 090 DS/DS) 3/4" IG											
	0.264	0.345	0.117					ARG90	0.022(#3)	CL	P1-S	N,S
	U-Factor 0.29			SHGC (N / <1) 0.29 / 0.27				VT (N / <1) 0.50 / 0.44			CR 60	
	142.094 SH / Opt 5 (INN Refo LR/KR/BR, No Foam): E366 / arg / lami (DS/DS 090 DS) 3/4" IG											
	0.117	0.345	0.264					ARG90	0.022(#2)	CL	P1-S	N,S
	U-Factor 0.29			SHGC (N / <1) 0.22 / 0.20				VT (N / <1) 0.50 / 0.44			CR 60	
374	142.094 SH / Opt 5 (INN Refo LR/KR/BR, No Foam): lami / arg / E366 (DS 090 DS/DS) 3/4" IG											
	0.264	0.345	0.117					ARG90	0.022(#3)	CL	P1-S	G,S
	U-Factor 0.31			SHGC (<1) 0.27				VT (<1) 0.44			CR 60	
	142.094 SH / Opt 5 (INN Refo LR/KR/BR, No Foam): E366 / arg / lami (DS/DS 090 DS) 3/4" IG											
	0.117	0.345	0.264					ARG90	0.022(#2)	CL	P1-S	G,S
	U-Factor 0.31			SHGC (<1) 0.20				VT (<1) 0.44			CR 60	
375	142.094 SH / Opt 5 (INN Refo LR/KR/BR, No Foam): E366 / arg / clr / arg / E366 (SS/SS/SS) 3/4" IG (P1-S)											
	0.087	0.250	0.087	0.250	0.087			ARG90	0.022(#2) / 0.022(#5)	CL	P1-S	N,S
	U-Factor 0.24			SHGC (N / <1) 0.19 / 0.17				VT (N / <1) 0.37 / 0.33			CR 70	
376	142.094 SH / Opt 5 (INN Refo LR/KR/BR, No Foam): E366 / arg / clr / arg / E366 (SS/SS/SS) 3/4" IG (P1-S)											
	0.087	0.250	0.087	0.250	0.087			ARG90	0.022(#2) / 0.022(#5)	CL	P1-S	G,S
	U-Factor 0.24			SHGC (<1) 0.17				VT (<1) 0.33			CR 70	
377	142.094 SH / Opt 5 (INN Refo LR/KR/BR, No Foam): 70/36 / air / clr (SS/SS) 3/4" IG											
	0.090	0.563	0.090					AIR	0.036(#2)	CL	P1-S	N,G,S
	U-Factor 0.31			SHGC (N / <1) 0.31 / 0.28				VT (N / <1) 0.55 / 0.49			CR 58	
	142.094 SH / Opt 5 (INN Refo LR/KR/BR, No Foam): clr / air / 70/36 (SS/SS) 3/4" IG											
	0.090	0.563	0.090					AIR	0.036(#3)	CL	P1-S	N,G,S
	U-Factor 0.31			SHGC (N / <1) 0.39 / 0.35				VT (N / <1) 0.55 / 0.49			CR 58	
378	142.094 SH / Opt 5 (INN Refo LR/KR/BR, No Foam): 70/36 / arg / clr (SS/SS) 3/4" IG											
	0.090	0.563	0.090					ARG90	0.036(#2)	CL	P1-S	N,G,S
	U-Factor 0.28			SHGC (N / <1) 0.31 / 0.28				VT (N / <1) 0.55 / 0.49			CR 62	
	142.094 SH / Opt 5 (INN Refo LR/KR/BR, No Foam): clr / arg / 70/36 (SS/SS) 3/4" IG											
	0.090	0.563	0.090					ARG90	0.036(#3)	CL	P1-S	N,G,S
	U-Factor 0.28			SHGC (N / <1) 0.39 / 0.35				VT (N / <1) 0.55 / 0.49			CR 62	

NFRC 100/200/500 Summary Sheet Windgate/Belmont/Stormgate Single Hung

ID	Pane Thickness 1	Gap Width 1	Pane Thickness 2	Gap Width 2	Pane Thickness 3	Gap Width 3	Pane Thickness 4	Gap Fill	Low-e (Surface#)	Tint	Spacer	Grid Type
	U-Factor			Solar Heat Gain Coefficient (SHGC) Grids (None / <1 / >=1)				Visible Transmittance (VT) Grids (None / <1 / >=1)			Condensation Resistance	
379	142.094 SH / Opt 5 (INN Refo LR/KR/BR, No Foam): 70/36 / air / clr (DS/DS) 3/4" IG											
	0.117	0.500	0.117					AIR	0.036(#2)	CL	P1-S	N,G,S
	U-Factor 0.31			SHGC (N / <1) 0.31 / 0.28				VT (N / <1) 0.55 / 0.49			CR 57	
380	142.094 SH / Opt 5 (INN Refo LR/KR/BR, No Foam): clr / air / 70/36 (DS/DS) 3/4" IG											
	0.117	0.500	0.117					AIR	0.036(#3)	CL	P1-S	N,G,S
	U-Factor 0.31			SHGC (N / <1) 0.38 / 0.34				VT (N / <1) 0.55 / 0.49			CR 57	
380	142.094 SH / Opt 5 (INN Refo LR/KR/BR, No Foam): 70/36 / arg / clr (DS/DS) 3/4" IG											
	0.117	0.500	0.117					ARG90	0.036(#2)	CL	P1-S	N,G,S
	U-Factor 0.28			SHGC (N / <1) 0.30 / 0.27				VT (N / <1) 0.55 / 0.49			CR 62	
380	142.094 SH / Opt 5 (INN Refo LR/KR/BR, No Foam): clr / arg / 70/36 (DS/DS) 3/4" IG											
	0.117	0.500	0.117					ARG90	0.036(#3)	CL	P1-S	N,G,S
	U-Factor 0.28			SHGC (N / <1) 0.38 / 0.35				VT (N / <1) 0.55 / 0.49			CR 62	
381	142.094 SH / Opt 5 (INN Refo LR/KR/BR, No Foam): lami / arg / 70/36 (DS 090 DS/DS) 3/4" IG											
	0.264	0.345	0.117					ARG90	0.036(#3)	CL	P1-S	N,S
	U-Factor 0.30			SHGC (N / <1) 0.36 / 0.33				VT (N / <1) 0.54 / 0.48			CR 59	
381	142.094 SH / Opt 5 (INN Refo LR/KR/BR, No Foam): 70/36 / arg / lami (DS/DS 090 DS) 3/4" IG											
	0.117	0.345	0.264					ARG90	0.036(#2)	CL	P1-S	N,S
	U-Factor 0.30			SHGC (N / <1) 0.30 / 0.27				VT (N / <1) 0.54 / 0.48			CR 59	
382	142.094 SH / Opt 5 (INN Refo LR/KR/BR, No Foam): lami / arg / 70/36 (DS 090 DS/DS) 3/4" IG											
	0.264	0.345	0.117					ARG90	0.036(#3)	CL	P1-S	G,S
	U-Factor 0.31			SHGC (<1) 0.33				VT (<1) 0.48			CR 59	
382	142.094 SH / Opt 5 (INN Refo LR/KR/BR, No Foam): 70/36 / arg / lami (DS/DS 090 DS) 3/4" IG											
	0.117	0.345	0.264					ARG90	0.036(#2)	CL	P1-S	G,S
	U-Factor 0.31			SHGC (<1) 0.27				VT (<1) 0.48			CR 59	
383	142.094 SH / Opt 5 (INN Refo LR/KR/BR, No Foam): 70/36 / arg / clr / arg / 70/36 (SS/SS/SS) 3/4" IG											
	0.090	0.250	0.090	0.250	0.090			ARG90	0.036(#2) / 0.036(#5)	CL	P1-S	N,S
	U-Factor 0.24			SHGC (N / <1) 0.26 / 0.24				VT (N / <1) 0.43 / 0.39			CR 69	
384	142.094 SH / Opt 5 (INN Refo LR/KR/BR, No Foam): 70/36 / arg / clr / arg / 70/36 (SS/SS/SS) 3/4" IG											
	0.090	0.250	0.090	0.250	0.090			ARG90	0.036(#2) / 0.036(#5)	CL	P1-S	G,S
	U-Factor 0.25			SHGC (<1) 0.24				VT (<1) 0.39			CR 69	

**NFRC 100/200/500 Summary Sheet
Windgate/Belmont/Stormgate Single Hung**

ID	Pane Thickness 1	Gap Width 1	Pane Thickness 2	Gap Width 2	Pane Thickness 3	Gap Width 3	Pane Thickness 4	Gap Fill	Low-e (Surface#)	Tint	Spacer	Grid Type
	U-Factor			Solar Heat Gain Coefficient (SHGC) Grids (None / <1 / >=1)				Visible Transmittance (VT) Grids (None / <1 / >=1)			Condensation Resistance	
385	142.094 SH / Opt 5 (INN Refo LR/KR/BR, No Foam): 80/70 / air / clr (SS/SS) 3/4" IG											
	0.090	0.563	0.090					AIR	0.095(#2)	CL	P1-S	N,G,S
	U-Factor 0.33			SHGC (N / <1) 0.53 / 0.48				VT (N / <1) 0.64 / 0.57			CR	57
	142.094 SH / Opt 5 (INN Refo LR/KR/BR, No Foam): clr / air / 80/70 (SS/SS) 3/4" IG											
	0.090	0.563	0.090					AIR	0.095(#3)	CL	P1-S	N,G,S
	U-Factor 0.33			SHGC (N / <1) 0.56 / 0.50				VT (N / <1) 0.64 / 0.57			CR	57
386	142.094 SH / Opt 5 (INN Refo LR/KR/BR, No Foam): 80/70 / arg / clr (SS/SS) 3/4" IG											
	0.090	0.563	0.090					ARG90	0.095(#2)	CL	P1-S	N,G,S
	U-Factor 0.30			SHGC (N / <1) 0.53 / 0.48				VT (N / <1) 0.64 / 0.57			CR	61
	142.094 SH / Opt 5 (INN Refo LR/KR/BR, No Foam): clr / arg / 80/70 (SS/SS) 3/4" IG											
	0.090	0.563	0.090					ARG90	0.095(#3)	CL	P1-S	N,G,S
	U-Factor 0.30			SHGC (N / <1) 0.56 / 0.50				VT (N / <1) 0.64 / 0.57			CR	61
387	142.094 SH / Opt 5 (INN Refo LR/KR/BR, No Foam): 80/70 / air / clr (DS/DS) 3/4" IG											
	0.117	0.500	0.117					AIR	0.095(#2)	CL	P1-S	N,G,S
	U-Factor 0.33			SHGC (N / <1) 0.52 / 0.47				VT (N / <1) 0.63 / 0.57			CR	56
	142.094 SH / Opt 5 (INN Refo LR/KR/BR, No Foam): clr / air / 80/70 (DS/DS) 3/4" IG											
	0.117	0.500	0.117					AIR	0.095(#3)	CL	P1-S	N,G,S
	U-Factor 0.33			SHGC (N / <1) 0.55 / 0.50				VT (N / <1) 0.63 / 0.57			CR	56
388	142.094 SH / Opt 5 (INN Refo LR/KR/BR, No Foam): 80/70 / arg / clr (DS/DS) 3/4" IG											
	0.117	0.500	0.117					ARG90	0.095(#2)	CL	P1-S	N,G,S
	U-Factor 0.29			SHGC (N / <1) 0.52 / 0.47				VT (N / <1) 0.63 / 0.57			CR	60
	142.094 SH / Opt 5 (INN Refo LR/KR/BR, No Foam): clr / arg / 80/70 (DS/DS) 3/4" IG											
	0.117	0.500	0.117					ARG90	0.095(#3)	CL	P1-S	N,G,S
	U-Factor 0.29			SHGC (N / <1) 0.55 / 0.50				VT (N / <1) 0.63 / 0.57			CR	60
389	142.094 SH / Opt 5 (INN Refo LR/KR/BR, No Foam): lami / arg / 80/70 (DS 090 DS/DS) 3/4" IG											
	0.264	0.345	0.117					ARG90	0.095(#3)	CL	P1-S	N,S
	U-Factor 0.31			SHGC (N / <1) 0.51 / 0.46				VT (N / <1) 0.62 / 0.56			CR	58
	142.094 SH / Opt 5 (INN Refo LR/KR/BR, No Foam): 80/70 / arg / lami (DS/DS 090 DS) 3/4" IG											
	0.117	0.345	0.264					ARG90	0.095(#2)	CL	P1-S	N,S
	U-Factor 0.31			SHGC (N / <1) 0.51 / 0.46				VT (N / <1) 0.62 / 0.56			CR	58

NFRC 100/200/500 Summary Sheet Windgate/Belmont/Stormgate Single Hung

ID	Pane Thickness 1	Gap Width 1	Pane Thickness 2	Gap Width 2	Pane Thickness 3	Gap Width 3	Pane Thickness 4	Gap Width 4	Gap Fill	Low-e (Surface#)	Tint	Spacer	Grid Type
	U-Factor			Solar Heat Gain Coefficient (SHGC) Grids (None / <1 / >=1)					Visible Transmittance (VT) Grids (None / <1 / >=1)			Condensation Resistance	
390	142.094 SH / Opt 5 (INN Refo LR/KR/BR, No Foam): lami / arg / 80/70 (DS 090 DS/DS) 3/4" IG												
	0.264	0.345	0.117						ARG90	0.095(#3)	CL	P1-S	G,S
	U-Factor 0.33			SHGC (<1) 0.46					VT (<1) 0.56			CR 58	
	142.094 SH / Opt 5 (INN Refo LR/KR/BR, No Foam): 80/70 / arg / lami (DS/DS 090 DS) 3/4" IG												
	0.117	0.345	0.264						ARG90	0.095(#2)	CL	P1-S	G,S
	U-Factor 0.33			SHGC (<1) 0.46					VT (<1) 0.56			CR 58	
391	142.094 SH / Opt 5 (INN Refo LR/KR/BR, No Foam): 80/70 / arg / clr / arg / 80/70 (SS/SS/SS) 3/4" IG												
	0.090	0.250	0.090	0.250	0.090				ARG90	0.095(#2) / 0.095(#5)	CL	P1-S	N,S
	U-Factor 0.25			SHGC (N / <1) 0.47 / 0.42					VT (N / <1) 0.58 / 0.51			CR 68	
392	142.094 SH / Opt 5 (INN Refo LR/KR/BR, No Foam): 80/70 / arg / clr / arg / 80/70 (SS/SS/SS) 3/4" IG												
	0.090	0.250	0.090	0.250	0.090				ARG90	0.095(#2) / 0.095(#5)	CL	P1-S	G,S
	U-Factor 0.26			SHGC (<1) 0.42					VT (<1) 0.51			CR 68	
393	142.094 SH / Opt 5 (INN Refo LR/KR/BR, No Foam): clr / air / clr (SS/SS) 3/4" IG												
	0.087	0.563	0.087						AIR		CL	SS-D	N,G,S
	U-Factor 0.46			SHGC (N / <1) 0.63 / 0.56					VT (N / <1) 0.65 / 0.58			CR 44	
394	142.094 SH / Opt 5 (INN Refo LR/KR/BR, No Foam): clr / air / clr (DS/DS) 3/4" IG												
	0.118	0.500	0.118						AIR		CL	SS-D	N,G,S
	U-Factor 0.46			SHGC (N / <1) 0.61 / 0.55					VT (N / <1) 0.65 / 0.58			CR 44	
395	142.094 SH / Opt 5 (INN Refo LR/KR/BR, No Foam): clr / air / clr (5mm/DS) 3/4" IG												
	0.185	0.438	0.118						AIR		CL	SS-D	N,G,S
	U-Factor 0.47			SHGC (N / <1) 0.59 / 0.53					VT (N / <1) 0.64 / 0.57			CR 44	
396	142.094 SH / Opt 5 (INN Refo LR/KR/BR, No Foam): clr / air / clr (5mm/DS) 3/4" IG												
	0.185	0.438	0.118						AIR		CL	SS-D	G
	U-Factor 0.47			SHGC (<1) 0.53					VT (<1) 0.57			CR 44	
397	142.094 SH / Opt 5 (INN Refo LR/KR/BR, No Foam): lami / air / clr (DS 090 DS/DS) 3/4" IG												
	0.264	0.345	0.118						AIR		CL	SS-D	N,S
	U-Factor 0.48			SHGC (N / <1) 0.56 / 0.51					VT (N / <1) 0.63 / 0.57			CR 43	
	142.094 SH / Opt 5 (INN Refo LR/KR/BR, No Foam): clr / air / lami (DS/DS 090 DS) 3/4" IG												
	0.118	0.345	0.264						AIR		CL	SS-D	N,S
	U-Factor 0.48			SHGC (N / <1) 0.59 / 0.53					VT (N / <1) 0.63 / 0.57			CR 43	

**NFRC 100/200/500 Summary Sheet
Windgate/Belmont/Stormgate Single Hung**

ID	Pane Thickness 1	Gap Width 1	Pane Thickness 2	Gap Width 2	Pane Thickness 3	Gap Width 3	Pane Thickness 4	Gap Width 4	Gap Fill	Low-e (Surface#)	Tint	Spacer	Grid Type
	U-Factor			Solar Heat Gain Coefficient (SHGC) Grids (None / <1 / >=1)					Visible Transmittance (VT) Grids (None / <1 / >=1)			Condensation Resistance	
398	142.094 SH / Opt 5 (INN Refo LR/KR/BR, No Foam): lami / air / clr (DS 090 DS/DS) 3/4" IG												
	0.264	0.345	0.118						AIR		CL	SS-D	G,S
	U-Factor 0.49			SHGC (<1) 0.51					VT (<1) 0.57			CR 43	
	142.094 SH / Opt 5 (INN Refo LR/KR/BR, No Foam): clr / air / lami (DS/DS 090 DS) 3/4" IG												
	0.118	0.345	0.264						AIR		CL	SS-D	G,S
	U-Factor 0.49			SHGC (<1) 0.53					VT (<1) 0.57			CR 43	
399	142.094 SH / Opt 5 (INN Refo LR/KR/BR, No Foam): clr / air / clr / air / clr (SS/SS/SS) 3/4" IG (P1-S)												
	0.087	0.250	0.087	0.250	0.087				AIR		CL	SS-D	N,S
	U-Factor 0.38			SHGC (N / <1) 0.57 / 0.51					VT (N / <1) 0.60 / 0.54			CR 54	
400	142.094 SH / Opt 5 (INN Refo LR/KR/BR, No Foam): clr / air / clr / air / clr (SS/SS/SS) 3/4" IG (P1-S)												
	0.087	0.250	0.087	0.250	0.087				AIR		CL	SS-D	G,S
	U-Factor 0.39			SHGC (<1) 0.51					VT (<1) 0.54			CR 54	
401	142.094 SH / Opt 5 (INN Refo LR/KR/BR, No Foam): E270 / air / clr (SS/SS) 3/4" IG												
	0.087	0.563	0.087						AIR	0.037(#2)	CL	SS-D	N,G,S
	U-Factor 0.32			SHGC (N / <1) 0.30 / 0.27					VT (N / <1) 0.55 / 0.49			CR 56	
	142.094 SH / Opt 5 (INN Refo LR/KR/BR, No Foam): clr / air / E270 (SS/SS) 3/4" IG												
	0.087	0.563	0.087						AIR	0.037(#3)	CL	SS-D	N,G,S
	U-Factor 0.32			SHGC (N / <1) 0.37 / 0.33					VT (N / <1) 0.55 / 0.49			CR 56	
402	142.094 SH / Opt 5 (INN Refo LR/KR/BR, No Foam): E270 / arg / clr (SS/SS) 3/4" IG												
	0.087	0.563	0.087						ARG90	0.037(#2)	CL	SS-D	N,G,S
	U-Factor 0.29			SHGC (N / <1) 0.29 / 0.26					VT (N / <1) 0.55 / 0.49			CR 59	
	142.094 SH / Opt 5 (INN Refo LR/KR/BR, No Foam): clr / arg / E270 (SS/SS) 3/4" IG												
	0.087	0.563	0.087						ARG90	0.037(#3)	CL	SS-D	N,G,S
	U-Factor 0.29			SHGC (N / <1) 0.37 / 0.33					VT (N / <1) 0.55 / 0.49			CR 59	
403	142.094 SH / Opt 5 (INN Refo LR/KR/BR, No Foam): E270 / air / clr (DS/DS) 3/4" IG												
	0.118	0.500	0.118						AIR	0.037(#2)	CL	SS-D	N,G,S
	U-Factor 0.32			SHGC (N / <1) 0.30 / 0.27					VT (N / <1) 0.55 / 0.49			CR 55	
	142.094 SH / Opt 5 (INN Refo LR/KR/BR, No Foam): clr / air / E270 (DS/DS) 3/4" IG												
	0.118	0.500	0.118						AIR	0.037(#3)	CL	SS-D	N,G,S
	U-Factor 0.32			SHGC (N / <1) 0.36 / 0.33					VT (N / <1) 0.55 / 0.49			CR 55	

**NFRC 100/200/500 Summary Sheet
Windgate/Belmont/Stormgate Single Hung**

ID	Pane Thickness 1	Gap Width 1	Pane Thickness 2	Gap Width 2	Pane Thickness 3	Gap Width 3	Pane Thickness 4	Gap Width 4	Gap Fill	Low-e (Surface#)	Tint	Spacer	Grid Type
	U-Factor			Solar Heat Gain Coefficient (SHGC) Grids (None / <1 / >=1)					Visible Transmittance (VT) Grids (None / <1 / >=1)			Condensation Resistance	
404	142.094 SH / Opt 5 (INN Refo LR/KR/BR, No Foam): E270 / arg / clr (DS/DS) 3/4" IG												
	0.118	0.500	0.118						ARG90	0.037(#2)	CL	SS-D	N,G,S
	U-Factor 0.29			SHGC (N / <1) 0.29 / 0.26					VT (N / <1) 0.55 / 0.49			CR	59
	142.094 SH / Opt 5 (INN Refo LR/KR/BR, No Foam): clr / arg / E270 (DS/DS) 3/4" IG												
	0.118	0.500	0.118						ARG90	0.037(#3)	CL	SS-D	N,G,S
	U-Factor 0.29			SHGC (N / <1) 0.36 / 0.33					VT (N / <1) 0.55 / 0.49			CR	59
405	142.094 SH / Opt 5 (INN Refo LR/KR/BR, No Foam): lami / arg / E270 (DS 090 DS/DS) 3/4" IG												
	0.264	0.345	0.118						ARG90	0.037(#3)	CL	SS-D	N,S
	U-Factor 0.31			SHGC (N / <1) 0.35 / 0.31					VT (N / <1) 0.54 / 0.48			CR	56
	142.094 SH / Opt 5 (INN Refo LR/KR/BR, No Foam): E270 / arg / lami (DS/DS 090 DS) 3/4" IG												
	0.118	0.345	0.264						ARG90	0.037(#2)	CL	SS-D	N,S
	U-Factor 0.31			SHGC (N / <1) 0.29 / 0.26					VT (N / <1) 0.54 / 0.48			CR	56
406	142.094 SH / Opt 5 (INN Refo LR/KR/BR, No Foam): lami / arg / E270 (DS 090 DS/DS) 3/4" IG												
	0.264	0.345	0.118						ARG90	0.037(#3)	CL	SS-D	G,S
	U-Factor 0.32			SHGC (<1) 0.31					VT (<1) 0.48			CR	56
	142.094 SH / Opt 5 (INN Refo LR/KR/BR, No Foam): E270 / arg / lami (DS/DS 090 DS) 3/4" IG												
	0.118	0.345	0.264						ARG90	0.037(#2)	CL	SS-D	G,S
	U-Factor 0.32			SHGC (<1) 0.26					VT (<1) 0.48			CR	56
407	142.094 SH / Opt 5 (INN Refo LR/KR/BR, No Foam): E270 / arg / clr / arg / E270 (SS/SS/SS) 3/4" IG (SS-D)												
	0.087	0.266	0.087	0.266	0.087				ARG90	0.037(#2) / 0.037(#5)	CL	SS-D	N,S
	U-Factor 0.24			SHGC (N / <1) 0.25 / 0.23					VT (N / <1) 0.43 / 0.39			CR	67
408	142.094 SH / Opt 5 (INN Refo LR/KR/BR, No Foam): E270 / arg / clr / arg / E270 (SS/SS/SS) 3/4" IG (SS-D)												
	0.087	0.266	0.087	0.266	0.087				ARG90	0.037(#2) / 0.037(#5)	CL	SS-D	G,S
	U-Factor 0.25			SHGC (<1) 0.23					VT (<1) 0.39			CR	67
409	142.094 SH / Opt 5 (INN Refo LR/KR/BR, No Foam): E366 / air / clr (SS/SS) 3/4" IG												
	0.087	0.563	0.087						AIR	0.022(#2)	CL	SS-D	N,G,S
	U-Factor 0.32			SHGC (N / <1) 0.22 / 0.20					VT (N / <1) 0.51 / 0.46			CR	56
	142.094 SH / Opt 5 (INN Refo LR/KR/BR, No Foam): clr / air / E366 (SS/SS) 3/4" IG												
	0.087	0.563	0.087						AIR	0.022(#3)	CL	SS-D	N,G,S
	U-Factor 0.32			SHGC (N / <1) 0.31 / 0.28					VT (N / <1) 0.51 / 0.46			CR	56

**NFRC 100/200/500 Summary Sheet
Windgate/Belmont/Stormgate Single Hung**

ID	Pane Thickness 1	Gap Width 1	Pane Thickness 2	Gap Width 2	Pane Thickness 3	Gap Width 3	Pane Thickness 4	Gap Fill	Low-e (Surface#)	Tint	Spacer	Grid Type
	U-Factor			Solar Heat Gain Coefficient (SHGC) Grids (None / <1 / >=1)				Visible Transmittance (VT) Grids (None / <1 / >=1)			Condensation Resistance	
410	142.094 SH / Opt 5 (INN Refo LR/KR/BR, No Foam): E366 / arg / clr (SS/SS) 3/4" IG											
	0.087	0.563	0.087					ARG90	0.022(#2)	CL	SS-D	N,G,S
	U-Factor 0.29			SHGC (N / <1) 0.22 / 0.20				VT (N / <1) 0.51 / 0.46			CR	60
	142.094 SH / Opt 5 (INN Refo LR/KR/BR, No Foam): clr / arg / E366 (SS/SS) 3/4" IG											
	0.087	0.563	0.087					ARG90	0.022(#3)	CL	SS-D	N,G,S
	U-Factor 0.29			SHGC (N / <1) 0.31 / 0.28				VT (N / <1) 0.51 / 0.46			CR	60
411	142.094 SH / Opt 5 (INN Refo LR/KR/BR, No Foam): E366 / air / clr (DS/DS) 3/4" IG											
	0.117	0.500	0.118					AIR	0.022(#2)	CL	SS-D	N,G,S
	U-Factor 0.32			SHGC (N / <1) 0.22 / 0.20				VT (N / <1) 0.51 / 0.45			CR	55
	142.094 SH / Opt 5 (INN Refo LR/KR/BR, No Foam): clr / air / E366 (DS/DS) 3/4" IG											
	0.118	0.500	0.117					AIR	0.022(#3)	CL	SS-D	N,G,S
	U-Factor 0.32			SHGC (N / <1) 0.30 / 0.28				VT (N / <1) 0.51 / 0.45			CR	55
412	142.094 SH / Opt 5 (INN Refo LR/KR/BR, No Foam): E366 / arg / clr (DS/DS) 3/4" IG											
	0.117	0.500	0.118					ARG90	0.022(#2)	CL	SS-D	N,G,S
	U-Factor 0.28			SHGC (N / <1) 0.22 / 0.20				VT (N / <1) 0.51 / 0.45			CR	59
	142.094 SH / Opt 5 (INN Refo LR/KR/BR, No Foam): clr / arg / E366 (DS/DS) 3/4" IG											
	0.118	0.500	0.117					ARG90	0.022(#3)	CL	SS-D	N,G,S
	U-Factor 0.28			SHGC (N / <1) 0.31 / 0.28				VT (N / <1) 0.51 / 0.45			CR	59
413	142.094 SH / Opt 5 (INN Refo LR/KR/BR, No Foam): lami / arg / E366 (DS 090 DS/DS) 3/4" IG											
	0.264	0.345	0.117					ARG90	0.022(#3)	CL	SS-D	N,S
	U-Factor 0.30			SHGC (N / <1) 0.29 / 0.27				VT (N / <1) 0.50 / 0.44			CR	57
	142.094 SH / Opt 5 (INN Refo LR/KR/BR, No Foam): E366 / arg / lami (DS/DS 090 DS) 3/4" IG											
	0.117	0.345	0.264					ARG90	0.022(#2)	CL	SS-D	N,S
	U-Factor 0.30			SHGC (N / <1) 0.22 / 0.20				VT (N / <1) 0.50 / 0.44			CR	57
414	142.094 SH / Opt 5 (INN Refo LR/KR/BR, No Foam): lami / arg / E366 (DS 090 DS/DS) 3/4" IG											
	0.264	0.345	0.117					ARG90	0.022(#3)	CL	SS-D	G,S
	U-Factor 0.32			SHGC (<1) 0.27				VT (<1) 0.44			CR	57
	142.094 SH / Opt 5 (INN Refo LR/KR/BR, No Foam): E366 / arg / lami (DS/DS 090 DS) 3/4" IG											
	0.117	0.345	0.264					ARG90	0.022(#2)	CL	SS-D	G,S
	U-Factor 0.32			SHGC (<1) 0.20				VT (<1) 0.44			CR	57

**NFRC 100/200/500 Summary Sheet
Windgate/Belmont/Stormgate Single Hung**

ID	Pane Thickness 1	Gap Width 1	Pane Thickness 2	Gap Width 2	Pane Thickness 3	Gap Width 3	Pane Thickness 4	Gap Fill	Low-e (Surface#)	Tint	Spacer	Grid Type
	U-Factor			Solar Heat Gain Coefficient (SHGC) Grids (None / <1 / >=1)				Visible Transmittance (VT) Grids (None / <1 / >=1)			Condensation Resistance	
415	142.094 SH / Opt 5 (INN Refo LR/KR/BR, No Foam): E366 / arg / clr / arg / E366 (SS/SS/SS) 3/4" IG (SS-D)											
	0.087	0.266	0.087	0.266	0.087			ARG90	0.022(#2) / 0.022(#5)	CL	SS-D	N,S
	U-Factor 0.24			SHGC (N / <1) 0.19 / 0.17				VT (N / <1) 0.37 / 0.33			CR 67	
416	142.094 SH / Opt 5 (INN Refo LR/KR/BR, No Foam): E366 / arg / clr / arg / E366 (SS/SS/SS) 3/4" IG (SS-D)											
	0.087	0.266	0.087	0.266	0.087			ARG90	0.022(#2) / 0.022(#5)	CL	SS-D	G,S
	U-Factor 0.25			SHGC (<1) 0.17				VT (<1) 0.33			CR 67	
417	142.094 SH / Opt 5 (INN Refo LR/KR/BR, No Foam): clr / air / clr (SS/SS) 3/4" IG											
	0.087	0.563	0.087					AIR		CL	TS-D	N,G,S
	U-Factor 0.46			SHGC (N / <1) 0.63 / 0.56				VT (N / <1) 0.65 / 0.58			CR 44	
418	142.094 SH / Opt 5 (INN Refo LR/KR/BR, No Foam): clr / air / clr (DS/DS) 3/4" IG											
	0.118	0.500	0.118					AIR		CL	TS-D	N,G,S
	U-Factor 0.46			SHGC (N / <1) 0.61 / 0.55				VT (N / <1) 0.65 / 0.58			CR 43	
419	142.094 SH / Opt 5 (INN Refo LR/KR/BR, No Foam): clr / air / clr (5mm/DS) 3/4" IG											
	0.185	0.438	0.118					AIR		CL	TS-D	N,G,S
	U-Factor 0.47			SHGC (N / <1) 0.59 / 0.53				VT (N / <1) 0.64 / 0.57			CR 43	
420	142.094 SH / Opt 5 (INN Refo LR/KR/BR, No Foam): clr / air / clr (5mm/DS) 3/4" IG											
	0.185	0.438	0.118					AIR		CL	TS-D	G
	U-Factor 0.47			SHGC (<1) 0.53				VT (<1) 0.57			CR 43	
421	142.094 SH / Opt 5 (INN Refo LR/KR/BR, No Foam): lami / air / clr (DS 090 DS/DS) 3/4" IG											
	0.264	0.345	0.118					AIR		CL	TS-D	N,S
	U-Factor 0.48			SHGC (N / <1) 0.56 / 0.51				VT (N / <1) 0.63 / 0.57			CR 42	
	142.094 SH / Opt 5 (INN Refo LR/KR/BR, No Foam): clr / air / lami (DS/DS 090 DS) 3/4" IG											
	0.118	0.345	0.264					AIR		CL	TS-D	N,S
	U-Factor 0.48			SHGC (N / <1) 0.59 / 0.53				VT (N / <1) 0.63 / 0.57			CR 42	
422	142.094 SH / Opt 5 (INN Refo LR/KR/BR, No Foam): lami / air / clr (DS 090 DS/DS) 3/4" IG											
	0.264	0.345	0.118					AIR		CL	TS-D	G,S
	U-Factor 0.49			SHGC (<1) 0.51				VT (<1) 0.57			CR 42	
	142.094 SH / Opt 5 (INN Refo LR/KR/BR, No Foam): clr / air / lami (DS/DS 090 DS) 3/4" IG											
	0.118	0.345	0.264					AIR		CL	TS-D	G,S
	U-Factor 0.49			SHGC (<1) 0.53				VT (<1) 0.57			CR 42	

**NFRC 100/200/500 Summary Sheet
Windgate/Belmont/Stormgate Single Hung**

ID	Pane Thickness 1	Gap Width 1	Pane Thickness 2	Gap Width 2	Pane Thickness 3	Gap Width 3	Pane Thickness 4	Gap Width 4	Gap Fill	Low-e (Surface#)	Tint	Spacer	Grid Type
	U-Factor			Solar Heat Gain Coefficient (SHGC) Grids (None / <1 / >=1)				Visible Transmittance (VT) Grids (None / <1 / >=1)			Condensation Resistance		
423	142.094 SH / Opt 5 (INN Refo LR/KR/BR, No Foam): clr / air / clr / air / clr (SS/SS/SS) 3/4" IG (P1-S)												
	0.087	0.250	0.087	0.250	0.087				AIR		CL	TS-D	N,S
	U-Factor 0.39			SHGC (N / <1) 0.57 / 0.51				VT (N / <1) 0.60 / 0.54			CR 52		
424	142.094 SH / Opt 5 (INN Refo LR/KR/BR, No Foam): clr / air / clr / air / clr (SS/SS/SS) 3/4" IG (P1-S)												
	0.087	0.250	0.087	0.250	0.087				AIR		CL	TS-D	G,S
	U-Factor 0.40			SHGC (<1) 0.51				VT (<1) 0.54			CR 52		
425	142.094 SH / Opt 5 (INN Refo LR/KR/BR, No Foam): 70/36 / air / clr (SS/SS) 3/4" IG												
	0.090	0.563	0.090						AIR	0.036(#2)	CL	TS-D	N,G,S
	U-Factor 0.33			SHGC (N / <1) 0.31 / 0.28				VT (N / <1) 0.55 / 0.49			CR 55		
	142.094 SH / Opt 5 (INN Refo LR/KR/BR, No Foam): clr / air / 70/36 (SS/SS) 3/4" IG												
	0.090	0.563	0.090						AIR	0.036(#3)	CL	TS-D	N,G,S
	U-Factor 0.33			SHGC (N / <1) 0.39 / 0.35				VT (N / <1) 0.55 / 0.49			CR 55		
426	142.094 SH / Opt 5 (INN Refo LR/KR/BR, No Foam): 70/36 / arg / clr (SS/SS) 3/4" IG												
	0.090	0.563	0.090						ARG90	0.036(#2)	CL	TS-D	N,G,S
	U-Factor 0.29			SHGC (N / <1) 0.31 / 0.28				VT (N / <1) 0.55 / 0.49			CR 58		
	142.094 SH / Opt 5 (INN Refo LR/KR/BR, No Foam): clr / arg / 70/36 (SS/SS) 3/4" IG												
	0.090	0.563	0.090						ARG90	0.036(#3)	CL	TS-D	N,G,S
	U-Factor 0.29			SHGC (N / <1) 0.39 / 0.35				VT (N / <1) 0.55 / 0.49			CR 58		
427	142.094 SH / Opt 5 (INN Refo LR/KR/BR, No Foam): 70/36 / air / clr (DS/DS) 3/4" IG												
	0.117	0.500	0.117						AIR	0.036(#2)	CL	TS-D	N,G,S
	U-Factor 0.33			SHGC (N / <1) 0.31 / 0.28				VT (N / <1) 0.55 / 0.49			CR 54		
	142.094 SH / Opt 5 (INN Refo LR/KR/BR, No Foam): clr / air / 70/36 (DS/DS) 3/4" IG												
	0.117	0.500	0.117						AIR	0.036(#3)	CL	TS-D	N,G,S
	U-Factor 0.33			SHGC (N / <1) 0.38 / 0.34				VT (N / <1) 0.55 / 0.49			CR 54		
428	142.094 SH / Opt 5 (INN Refo LR/KR/BR, No Foam): 70/36 / arg / clr (DS/DS) 3/4" IG												
	0.117	0.500	0.117						ARG90	0.036(#2)	CL	TS-D	N,G,S
	U-Factor 0.29			SHGC (N / <1) 0.30 / 0.27				VT (N / <1) 0.55 / 0.49			CR 57		
	142.094 SH / Opt 5 (INN Refo LR/KR/BR, No Foam): clr / arg / 70/36 (DS/DS) 3/4" IG												
	0.117	0.500	0.117						ARG90	0.036(#3)	CL	TS-D	N,G,S
	U-Factor 0.29			SHGC (N / <1) 0.38 / 0.35				VT (N / <1) 0.55 / 0.49			CR 57		

NFRC 100/200/500 Summary Sheet Windgate/Belmont/Stormgate Single Hung

ID	Pane Thickness 1	Gap Width 1	Pane Thickness 2	Gap Width 2	Pane Thickness 3	Gap Width 3	Pane Thickness 4	Gap Width 4	Gap Fill	Low-e (Surface#)	Tint	Spacer	Grid Type
	U-Factor			Solar Heat Gain Coefficient (SHGC) Grids (None / <1 / >=1)				Visible Transmittance (VT) Grids (None / <1 / >=1)			Condensation Resistance		
429	142.094 SH / Opt 5 (INN Refo LR/KR/BR, No Foam): lami / arg / 70/36 (DS 090 DS/DS) 3/4" IG												
	0.264	0.345	0.117						ARG90	0.036(#3)	CL	TS-D	N,S
	U-Factor 0.31			SHGC (N / <1) 0.36 / 0.33				VT (N / <1) 0.54 / 0.48			CR 55		
	142.094 SH / Opt 5 (INN Refo LR/KR/BR, No Foam): 70/36 / arg / lami (DS/DS 090 DS) 3/4" IG												
	0.117	0.345	0.264						ARG90	0.036(#2)	CL	TS-D	N,S
	U-Factor 0.31			SHGC (N / <1) 0.30 / 0.27				VT (N / <1) 0.54 / 0.48			CR 55		
430	142.094 SH / Opt 5 (INN Refo LR/KR/BR, No Foam): lami / arg / 70/36 (DS 090 DS/DS) 3/4" IG												
	0.264	0.345	0.117						ARG90	0.036(#3)	CL	TS-D	G,S
	U-Factor 0.32			SHGC (<1) 0.33				VT (<1) 0.48			CR 55		
	142.094 SH / Opt 5 (INN Refo LR/KR/BR, No Foam): 70/36 / arg / lami (DS/DS 090 DS) 3/4" IG												
	0.117	0.345	0.264						ARG90	0.036(#2)	CL	TS-D	G,S
	U-Factor 0.32			SHGC (<1) 0.27				VT (<1) 0.48			CR 55		
431	142.094 SH / Opt 5 (INN Refo LR/KR/BR, No Foam): 70/36 / arg / clr / arg / 70/36 (SS/SS/SS) 3/4" IG												
	0.090	0.250	0.090	0.250	0.090				ARG90	0.036(#2) / 0.036(#5)	CL	TS-D	N,S
	U-Factor 0.25			SHGC (N / <1) 0.26 / 0.24				VT (N / <1) 0.43 / 0.39			CR 64		
432	142.094 SH / Opt 5 (INN Refo LR/KR/BR, No Foam): 70/36 / arg / clr / arg / 70/36 (SS/SS/SS) 3/4" IG												
	0.090	0.250	0.090	0.250	0.090				ARG90	0.036(#2) / 0.036(#5)	CL	TS-D	G,S
	U-Factor 0.26			SHGC (<1) 0.24				VT (<1) 0.39			CR 64		
433	142.094 SH / Opt 5 (INN Refo LR/KR/BR, No Foam): 80/70 / air / clr (SS/SS) 3/4" IG												
	0.090	0.563	0.090						AIR	0.095(#2)	CL	TS-D	N,G,S
	U-Factor 0.34			SHGC (N / <1) 0.53 / 0.48				VT (N / <1) 0.64 / 0.57			CR 54		
	142.094 SH / Opt 5 (INN Refo LR/KR/BR, No Foam): clr / air / 80/70 (SS/SS) 3/4" IG												
	0.090	0.563	0.090						AIR	0.095(#3)	CL	TS-D	N,G,S
	U-Factor 0.34			SHGC (N / <1) 0.56 / 0.50				VT (N / <1) 0.64 / 0.57			CR 54		
434	142.094 SH / Opt 5 (INN Refo LR/KR/BR, No Foam): 80/70 / arg / clr (SS/SS) 3/4" IG												
	0.090	0.563	0.090						ARG90	0.095(#2)	CL	TS-D	N,G,S
	U-Factor 0.31			SHGC (N / <1) 0.53 / 0.48				VT (N / <1) 0.64 / 0.57			CR 57		
	142.094 SH / Opt 5 (INN Refo LR/KR/BR, No Foam): clr / arg / 80/70 (SS/SS) 3/4" IG												
	0.090	0.563	0.090						ARG90	0.095(#3)	CL	TS-D	N,G,S
	U-Factor 0.31			SHGC (N / <1) 0.56 / 0.50				VT (N / <1) 0.64 / 0.57			CR 57		

**NFRC 100/200/500 Summary Sheet
Windgate/Belmont/Stormgate Single Hung**

ID	Pane Thickness 1	Gap Width 1	Pane Thickness 2	Gap Width 2	Pane Thickness 3	Gap Width 3	Pane Thickness 4	Gap Fill	Low-e (Surface#)	Tint	Spacer	Grid Type
	U-Factor			Solar Heat Gain Coefficient (SHGC) Grids (None / <1 / >=1)				Visible Transmittance (VT) Grids (None / <1 / >=1)			Condensation Resistance	
435	142.094 SH / Opt 5 (INN Refo LR/KR/BR, No Foam): 80/70 / air / clr (DS/DS) 3/4" IG											
	0.117	0.500	0.117					AIR	0.095(#2)	CL	TS-D	N,G,S
	U-Factor 0.34			SHGC (N / <1) 0.52 / 0.47				VT (N / <1) 0.63 / 0.57			CR	53
	142.094 SH / Opt 5 (INN Refo LR/KR/BR, No Foam): clr / air / 80/70 (DS/DS) 3/4" IG											
	0.117	0.500	0.117					AIR	0.095(#3)	CL	TS-D	N,G,S
	U-Factor 0.34			SHGC (N / <1) 0.55 / 0.50				VT (N / <1) 0.63 / 0.57			CR	53
436	142.094 SH / Opt 5 (INN Refo LR/KR/BR, No Foam): 80/70 / arg / clr (DS/DS) 3/4" IG											
	0.117	0.500	0.117					ARG90	0.095(#2)	CL	TS-D	N,G,S
	U-Factor 0.31			SHGC (N / <1) 0.52 / 0.47				VT (N / <1) 0.63 / 0.57			CR	56
	142.094 SH / Opt 5 (INN Refo LR/KR/BR, No Foam): clr / arg / 80/70 (DS/DS) 3/4" IG											
	0.117	0.500	0.117					ARG90	0.095(#3)	CL	TS-D	N,G,S
	U-Factor 0.31			SHGC (N / <1) 0.55 / 0.50				VT (N / <1) 0.63 / 0.57			CR	56
437	142.094 SH / Opt 5 (INN Refo LR/KR/BR, No Foam): lami / arg / 80/70 (DS 090 DS/DS) 3/4" IG											
	0.264	0.345	0.117					ARG90	0.095(#3)	CL	TS-D	N,S
	U-Factor 0.33			SHGC (N / <1) 0.51 / 0.46				VT (N / <1) 0.62 / 0.56			CR	54
	142.094 SH / Opt 5 (INN Refo LR/KR/BR, No Foam): 80/70 / arg / lami (DS/DS 090 DS) 3/4" IG											
	0.117	0.345	0.264					ARG90	0.095(#2)	CL	TS-D	N,S
	U-Factor 0.33			SHGC (N / <1) 0.51 / 0.46				VT (N / <1) 0.62 / 0.56			CR	54
438	142.094 SH / Opt 5 (INN Refo LR/KR/BR, No Foam): lami / arg / 80/70 (DS 090 DS/DS) 3/4" IG											
	0.264	0.345	0.117					ARG90	0.095(#3)	CL	TS-D	G,S
	U-Factor 0.34			SHGC (<1) 0.46				VT (<1) 0.56			CR	54
	142.094 SH / Opt 5 (INN Refo LR/KR/BR, No Foam): 80/70 / arg / lami (DS/DS 090 DS) 3/4" IG											
	0.117	0.345	0.264					ARG90	0.095(#2)	CL	TS-D	G,S
	U-Factor 0.34			SHGC (<1) 0.46				VT (<1) 0.56			CR	54
439	142.094 SH / Opt 5 (INN Refo LR/KR/BR, No Foam): 80/70 / arg / clr / arg / 80/70 (SS/SS/SS) 3/4" IG											
	0.090	0.250	0.090	0.250	0.090			ARG90	0.095(#2) / 0.095(#5)	CL	TS-D	N,S
	U-Factor 0.26			SHGC (N / <1) 0.47 / 0.42				VT (N / <1) 0.58 / 0.51			CR	64
440	142.094 SH / Opt 5 (INN Refo LR/KR/BR, No Foam): 80/70 / arg / clr / arg / 80/70 (SS/SS/SS) 3/4" IG											
	0.090	0.250	0.090	0.250	0.090			ARG90	0.095(#2) / 0.095(#5)	CL	TS-D	G,S
	U-Factor 0.27			SHGC (<1) 0.42				VT (<1) 0.51			CR	64

**NFRC 100/200/500 Summary Sheet
Windgate/Belmont/Stormgate Single Hung**

ID	Pane Thickness 1	Gap Width 1	Pane Thickness 2	Gap Width 2	Pane Thickness 3	Gap Width 3	Pane Thickness 4	Gap Fill	Low-e (Surface#)	Tint	Spacer	Grid Type
	U-Factor			Solar Heat Gain Coefficient (SHGC) Grids (None / <1 / >=1)				Visible Transmittance (VT) Grids (None / <1 / >=1)			Condensation Resistance	
441	142.094 SH / Opt 6 (INN Refo LR/KR/BR/S, No Foam): clr / air / clr (SS/SS) 3/4" IG											
	0.087	0.563	0.087					AIR		CL	P1-S	N,G,S
	U-Factor 0.46			SHGC (N / <1) 0.63 / 0.56				VT (N / <1) 0.65 / 0.58			CR	46
442	142.094 SH / Opt 6 (INN Refo LR/KR/BR/S, No Foam): clr / air / clr (DS/DS) 3/4" IG											
	0.118	0.500	0.118					AIR		CL	P1-S	N,G,S
	U-Factor 0.45			SHGC (N / <1) 0.61 / 0.55				VT (N / <1) 0.65 / 0.58			CR	45
443	142.094 SH / Opt 6 (INN Refo LR/KR/BR/S, No Foam): clr / air / clr (5mm/DS) 3/4" IG											
	0.185	0.438	0.118					AIR		CL	P1-S	N,G,S
	U-Factor 0.46			SHGC (N / <1) 0.59 / 0.53				VT (N / <1) 0.64 / 0.57			CR	45
444	142.094 SH / Opt 6 (INN Refo LR/KR/BR/S, No Foam): clr / air / clr (5mm/DS) 3/4" IG											
	0.185	0.438	0.118					AIR		CL	P1-S	G
	U-Factor 0.46			SHGC (<1) 0.53				VT (<1) 0.57			CR	45
445	142.094 SH / Opt 6 (INN Refo LR/KR/BR/S, No Foam): lami / air / clr (DS 090 DS/DS) 3/4" IG											
	0.264	0.345	0.118					AIR		CL	P1-S	N,S
	U-Factor 0.47			SHGC (N / <1) 0.56 / 0.51				VT (N / <1) 0.63 / 0.57			CR	44
446	142.094 SH / Opt 6 (INN Refo LR/KR/BR/S, No Foam): clr / air / lami (DS/DS 090 DS) 3/4" IG											
	0.118	0.345	0.264					AIR		CL	P1-S	N,S
	U-Factor 0.47			SHGC (N / <1) 0.59 / 0.53				VT (N / <1) 0.63 / 0.57			CR	44
447	142.094 SH / Opt 6 (INN Refo LR/KR/BR/S, No Foam): lami / air / clr (DS 090 DS/DS) 3/4" IG											
	0.118	0.345	0.264					AIR		CL	P1-S	G,S
	U-Factor 0.48			SHGC (<1) 0.51				VT (<1) 0.57			CR	44
447	142.094 SH / Opt 6 (INN Refo LR/KR/BR/S, No Foam): clr / air / clr / air / clr (SS/SS/SS) 3/4" IG (P1-S)											
	0.087	0.250	0.087	0.250	0.087			AIR		CL	P1-S	N,S
	U-Factor 0.38			SHGC (N / <1) 0.57 / 0.51				VT (N / <1) 0.60 / 0.54			CR	54
448	142.094 SH / Opt 6 (INN Refo LR/KR/BR/S, No Foam): clr / air / clr / air / clr (SS/SS/SS) 3/4" IG (P1-S)											
	0.087	0.250	0.087	0.250	0.087			AIR		CL	P1-S	G,S
	U-Factor 0.39			SHGC (<1) 0.51				VT (<1) 0.54			CR	54

**NFRC 100/200/500 Summary Sheet
Windgate/Belmont/Stormgate Single Hung**

ID	Pane Thickness 1	Gap Width 1	Pane Thickness 2	Gap Width 2	Pane Thickness 3	Gap Width 3	Pane Thickness 4	Gap Fill	Low-e (Surface#)	Tint	Spacer	Grid Type
	U-Factor			Solar Heat Gain Coefficient (SHGC) Grids (None / <1 / >=1)				Visible Transmittance (VT) Grids (None / <1 / >=1)			Condensation Resistance	
449	142.094 SH / Opt 6 (INN Refo LR/KR/BR/S, No Foam): E270 / air / clr (SS/SS) 3/4" IG											
	0.087	0.563	0.087					AIR	0.037(#2)	CL	P1-S	N,G,S
	U-Factor 0.32			SHGC (N / <1) 0.30 / 0.27				VT (N / <1) 0.55 / 0.49			CR	58
	142.094 SH / Opt 6 (INN Refo LR/KR/BR/S, No Foam): clr / air / E270 (SS/SS) 3/4" IG											
	0.087	0.563	0.087					AIR	0.037(#3)	CL	P1-S	N,G,S
	U-Factor 0.32			SHGC (N / <1) 0.37 / 0.33				VT (N / <1) 0.55 / 0.49			CR	58
450	142.094 SH / Opt 6 (INN Refo LR/KR/BR/S, No Foam): E270 / arg / clr (SS/SS) 3/4" IG											
	0.087	0.563	0.087					ARG90	0.037(#2)	CL	P1-S	N,G,S
	U-Factor 0.28			SHGC (N / <1) 0.29 / 0.26				VT (N / <1) 0.55 / 0.49			CR	62
	142.094 SH / Opt 6 (INN Refo LR/KR/BR/S, No Foam): clr / arg / E270 (SS/SS) 3/4" IG											
	0.087	0.563	0.087					ARG90	0.037(#3)	CL	P1-S	N,G,S
	U-Factor 0.28			SHGC (N / <1) 0.37 / 0.33				VT (N / <1) 0.55 / 0.49			CR	62
451	142.094 SH / Opt 6 (INN Refo LR/KR/BR/S, No Foam): E270 / air / clr (DS/DS) 3/4" IG											
	0.118	0.500	0.118					AIR	0.037(#2)	CL	P1-S	N,G,S
	U-Factor 0.31			SHGC (N / <1) 0.30 / 0.27				VT (N / <1) 0.55 / 0.49			CR	57
	142.094 SH / Opt 6 (INN Refo LR/KR/BR/S, No Foam): clr / air / E270 (DS/DS) 3/4" IG											
	0.118	0.500	0.118					AIR	0.037(#3)	CL	P1-S	N,G,S
	U-Factor 0.31			SHGC (N / <1) 0.36 / 0.33				VT (N / <1) 0.55 / 0.49			CR	57
452	142.094 SH / Opt 6 (INN Refo LR/KR/BR/S, No Foam): E270 / arg / clr (DS/DS) 3/4" IG											
	0.118	0.500	0.118					ARG90	0.037(#2)	CL	P1-S	N,G,S
	U-Factor 0.28			SHGC (N / <1) 0.29 / 0.26				VT (N / <1) 0.55 / 0.49			CR	61
	142.094 SH / Opt 6 (INN Refo LR/KR/BR/S, No Foam): clr / arg / E270 (DS/DS) 3/4" IG											
	0.118	0.500	0.118					ARG90	0.037(#3)	CL	P1-S	N,G,S
	U-Factor 0.28			SHGC (N / <1) 0.36 / 0.33				VT (N / <1) 0.55 / 0.49			CR	61
453	142.094 SH / Opt 6 (INN Refo LR/KR/BR/S, No Foam): lami / arg / E270 (DS 090 DS/DS) 3/4" IG											
	0.264	0.345	0.118					ARG90	0.037(#3)	CL	P1-S	N,S
	U-Factor 0.30			SHGC (N / <1) 0.35 / 0.31				VT (N / <1) 0.54 / 0.48			CR	59
	142.094 SH / Opt 6 (INN Refo LR/KR/BR/S, No Foam): E270 / arg / lami (DS/DS 090 DS) 3/4" IG											
	0.118	0.345	0.264					ARG90	0.037(#2)	CL	P1-S	N,S
	U-Factor 0.30			SHGC (N / <1) 0.29 / 0.26				VT (N / <1) 0.54 / 0.48			CR	59

**NFRC 100/200/500 Summary Sheet
Windgate/Belmont/Stormgate Single Hung**

ID	Pane Thickness 1	Gap Width 1	Pane Thickness 2	Gap Width 2	Pane Thickness 3	Gap Width 3	Pane Thickness 4	Gap Width 4	Gap Fill	Low-e (Surface#)	Tint	Spacer	Grid Type
	U-Factor			Solar Heat Gain Coefficient (SHGC) Grids (None / <1 / >=1)				Visible Transmittance (VT) Grids (None / <1 / >=1)			Condensation Resistance		
454	142.094 SH / Opt 6 (INN Refo LR/KR/BR/S, No Foam): lami / arg / E270 (DS 090 DS/DS) 3/4" IG												
	0.264	0.345	0.118						ARG90	0.037(#3)	CL	P1-S	G,S
	U-Factor 0.31			SHGC (<1) 0.31				VT (<1) 0.48			CR 59		
	142.094 SH / Opt 6 (INN Refo LR/KR/BR/S, No Foam): E270 / arg / lami (DS/DS 090 DS) 3/4" IG												
	0.118	0.345	0.264						ARG90	0.037(#2)	CL	P1-S	G,S
	U-Factor 0.31			SHGC (<1) 0.26				VT (<1) 0.48			CR 59		
455	142.094 SH / Opt 6 (INN Refo LR/KR/BR/S, No Foam): E270 / arg / clr / arg / E270 (SS/SS/SS) 3/4" IG (P1-S)												
	0.087	0.250	0.087	0.250	0.087				ARG90	0.037(#2) / 0.037(#5)	CL	P1-S	N,S
	U-Factor 0.24			SHGC (N / <1) 0.25 / 0.23				VT (N / <1) 0.43 / 0.39			CR 69		
456	142.094 SH / Opt 6 (INN Refo LR/KR/BR/S, No Foam): E270 / arg / clr / arg / E270 (SS/SS/SS) 3/4" IG (P1-S)												
	0.087	0.250	0.087	0.250	0.087				ARG90	0.037(#2) / 0.037(#5)	CL	P1-S	G,S
	U-Factor 0.25			SHGC (<1) 0.23				VT (<1) 0.39			CR 69		
457	142.094 SH / Opt 6 (INN Refo LR/KR/BR/S, No Foam): E366 / air / clr (SS/SS) 3/4" IG												
	0.087	0.563	0.087						AIR	0.022(#2)	CL	P1-S	N,G,S
	U-Factor 0.31			SHGC (N / <1) 0.22 / 0.20				VT (N / <1) 0.51 / 0.46			CR 59		
	142.094 SH / Opt 6 (INN Refo LR/KR/BR/S, No Foam): clr / air / E366 (SS/SS) 3/4" IG												
	0.087	0.563	0.087						AIR	0.022(#3)	CL	P1-S	N,G,S
	U-Factor 0.31			SHGC (N / <1) 0.31 / 0.28				VT (N / <1) 0.51 / 0.46			CR 59		
458	142.094 SH / Opt 6 (INN Refo LR/KR/BR/S, No Foam): E366 / arg / clr (SS/SS) 3/4" IG												
	0.087	0.563	0.087						ARG90	0.022(#2)	CL	P1-S	N,G,S
	U-Factor 0.27			SHGC (N / <1) 0.22 / 0.20				VT (N / <1) 0.51 / 0.46			CR 63		
	142.094 SH / Opt 6 (INN Refo LR/KR/BR/S, No Foam): clr / arg / E366 (SS/SS) 3/4" IG												
	0.087	0.563	0.087						ARG90	0.022(#3)	CL	P1-S	N,G,S
	U-Factor 0.27			SHGC (N / <1) 0.31 / 0.28				VT (N / <1) 0.51 / 0.46			CR 63		
459	142.094 SH / Opt 6 (INN Refo LR/KR/BR/S, No Foam): E366 / air / clr (DS/DS) 3/4" IG												
	0.117	0.500	0.118						AIR	0.022(#2)	CL	P1-S	N,G,S
	U-Factor 0.31			SHGC (N / <1) 0.22 / 0.20				VT (N / <1) 0.51 / 0.45			CR 58		
	142.094 SH / Opt 6 (INN Refo LR/KR/BR/S, No Foam): clr / air / E366 (DS/DS) 3/4" IG												
	0.118	0.500	0.117						AIR	0.022(#3)	CL	P1-S	N,G,S
	U-Factor 0.31			SHGC (N / <1) 0.30 / 0.28				VT (N / <1) 0.51 / 0.45			CR 58		

**NFRC 100/200/500 Summary Sheet
Windgate/Belmont/Stormgate Single Hung**

ID	Pane Thickness 1	Gap Width 1	Pane Thickness 2	Gap Width 2	Pane Thickness 3	Gap Width 3	Pane Thickness 4	Gap Width 4	Gap Fill	Low-e (Surface#)	Tint	Spacer	Grid Type
	U-Factor			Solar Heat Gain Coefficient (SHGC) Grids (None / <1 / >=1)				Visible Transmittance (VT) Grids (None / <1 / >=1)			Condensation Resistance		
460	142.094 SH / Opt 6 (INN Refo LR/KR/BR/S, No Foam): E366 / arg / clr (DS/DS) 3/4" IG												
	0.117	0.500	0.118						ARG90	0.022(#2)	CL	P1-S	N,G,S
	U-Factor 0.27			SHGC (N / <1) 0.22 / 0.20				VT (N / <1) 0.51 / 0.45			CR 62		
	142.094 SH / Opt 6 (INN Refo LR/KR/BR/S, No Foam): clr / arg / E366 (DS/DS) 3/4" IG												
	0.118	0.500	0.117						ARG90	0.022(#3)	CL	P1-S	N,G,S
	U-Factor 0.27			SHGC (N / <1) 0.31 / 0.28				VT (N / <1) 0.51 / 0.45			CR 62		
461	142.094 SH / Opt 6 (INN Refo LR/KR/BR/S, No Foam): lami / arg / E366 (DS 090 DS/DS) 3/4" IG												
	0.264	0.345	0.117						ARG90	0.022(#3)	CL	P1-S	N,S
	U-Factor 0.29			SHGC (N / <1) 0.29 / 0.27				VT (N / <1) 0.50 / 0.44			CR 60		
	142.094 SH / Opt 6 (INN Refo LR/KR/BR/S, No Foam): E366 / arg / lami (DS/DS 090 DS) 3/4" IG												
	0.117	0.345	0.264						ARG90	0.022(#2)	CL	P1-S	N,S
	U-Factor 0.29			SHGC (N / <1) 0.22 / 0.20				VT (N / <1) 0.50 / 0.44			CR 60		
462	142.094 SH / Opt 6 (INN Refo LR/KR/BR/S, No Foam): lami / arg / E366 (DS 090 DS/DS) 3/4" IG												
	0.264	0.345	0.117						ARG90	0.022(#3)	CL	P1-S	G,S
	U-Factor 0.31			SHGC (<1) 0.27				VT (<1) 0.44			CR 60		
	142.094 SH / Opt 6 (INN Refo LR/KR/BR/S, No Foam): E366 / arg / lami (DS/DS 090 DS) 3/4" IG												
	0.117	0.345	0.264						ARG90	0.022(#2)	CL	P1-S	G,S
	U-Factor 0.31			SHGC (<1) 0.20				VT (<1) 0.44			CR 60		
463	142.094 SH / Opt 6 (INN Refo LR/KR/BR/S, No Foam): E366 / arg / clr / arg / E366 (SS/SS/SS) 3/4" IG (P1-S)												
	0.087	0.250	0.087	0.250	0.087				ARG90	0.022(#2) / 0.022(#5)	CL	P1-S	N,S
	U-Factor 0.24			SHGC (N / <1) 0.19 / 0.17				VT (N / <1) 0.37 / 0.33			CR 69		
464	142.094 SH / Opt 6 (INN Refo LR/KR/BR/S, No Foam): E366 / arg / clr / arg / E366 (SS/SS/SS) 3/4" IG (P1-S)												
	0.087	0.250	0.087	0.250	0.087				ARG90	0.022(#2) / 0.022(#5)	CL	P1-S	G,S
	U-Factor 0.24			SHGC (<1) 0.17				VT (<1) 0.33			CR 69		
465	142.094 SH / Opt 6 (INN Refo LR/KR/BR/S, No Foam): 70/36 / air / clr (SS/SS) 3/4" IG												
	0.090	0.563	0.090						AIR	0.036(#2)	CL	P1-S	N,G,S
	U-Factor 0.31			SHGC (N / <1) 0.31 / 0.28				VT (N / <1) 0.55 / 0.49			CR 58		
	142.094 SH / Opt 6 (INN Refo LR/KR/BR/S, No Foam): clr / air / 70/36 (SS/SS) 3/4" IG												
	0.090	0.563	0.090						AIR	0.036(#3)	CL	P1-S	N,G,S
	U-Factor 0.31			SHGC (N / <1) 0.39 / 0.35				VT (N / <1) 0.55 / 0.49			CR 58		

NFRC 100/200/500 Summary Sheet Windgate/Belmont/Stormgate Single Hung

ID	Pane Thickness 1	Gap Width 1	Pane Thickness 2	Gap Width 2	Pane Thickness 3	Gap Width 3	Pane Thickness 4	Gap Fill	Low-e (Surface#)	Tint	Spacer	Grid Type
	U-Factor			Solar Heat Gain Coefficient (SHGC) Grids (None / <1 / >=1)				Visible Transmittance (VT) Grids (None / <1 / >=1)			Condensation Resistance	
466	142.094 SH / Opt 6 (INN Refo LR/KR/BR/S, No Foam): 70/36 / arg / clr (SS/SS) 3/4" IG											
	0.090	0.563	0.090					ARG90	0.036(#2)	CL	P1-S	N,G,S
	U-Factor 0.28			SHGC (N / <1) 0.31 / 0.28				VT (N / <1) 0.55 / 0.49			CR 62	
467	142.094 SH / Opt 6 (INN Refo LR/KR/BR/S, No Foam): clr / arg / 70/36 (SS/SS) 3/4" IG											
	0.090	0.563	0.090					ARG90	0.036(#3)	CL	P1-S	N,G,S
	U-Factor 0.28			SHGC (N / <1) 0.39 / 0.35				VT (N / <1) 0.55 / 0.49			CR 62	
468	142.094 SH / Opt 6 (INN Refo LR/KR/BR/S, No Foam): 70/36 / air / clr (DS/DS) 3/4" IG											
	0.117	0.500	0.117					AIR	0.036(#2)	CL	P1-S	N,G,S
	U-Factor 0.31			SHGC (N / <1) 0.31 / 0.28				VT (N / <1) 0.55 / 0.49			CR 57	
469	142.094 SH / Opt 6 (INN Refo LR/KR/BR/S, No Foam): clr / air / 70/36 (DS/DS) 3/4" IG											
	0.117	0.500	0.117					AIR	0.036(#3)	CL	P1-S	N,G,S
	U-Factor 0.31			SHGC (N / <1) 0.38 / 0.34				VT (N / <1) 0.55 / 0.49			CR 57	
470	142.094 SH / Opt 6 (INN Refo LR/KR/BR/S, No Foam): 70/36 / arg / clr (DS/DS) 3/4" IG											
	0.117	0.500	0.117					ARG90	0.036(#2)	CL	P1-S	N,G,S
	U-Factor 0.28			SHGC (N / <1) 0.30 / 0.27				VT (N / <1) 0.55 / 0.49			CR 62	
471	142.094 SH / Opt 6 (INN Refo LR/KR/BR/S, No Foam): clr / arg / 70/36 (DS/DS) 3/4" IG											
	0.117	0.500	0.117					ARG90	0.036(#3)	CL	P1-S	N,G,S
	U-Factor 0.28			SHGC (N / <1) 0.38 / 0.35				VT (N / <1) 0.55 / 0.49			CR 62	
472	142.094 SH / Opt 6 (INN Refo LR/KR/BR/S, No Foam): lami / arg / 70/36 (DS 090 DS/DS) 3/4" IG											
	0.264	0.345	0.117					ARG90	0.036(#3)	CL	P1-S	N,S
	U-Factor 0.30			SHGC (N / <1) 0.36 / 0.33				VT (N / <1) 0.54 / 0.48			CR 59	
473	142.094 SH / Opt 6 (INN Refo LR/KR/BR/S, No Foam): 70/36 / arg / lami (DS/DS 090 DS) 3/4" IG											
	0.117	0.345	0.264					ARG90	0.036(#2)	CL	P1-S	N,S
	U-Factor 0.30			SHGC (N / <1) 0.30 / 0.27				VT (N / <1) 0.54 / 0.48			CR 59	
474	142.094 SH / Opt 6 (INN Refo LR/KR/BR/S, No Foam): lami / arg / 70/36 (DS 090 DS/DS) 3/4" IG											
	0.264	0.345	0.117					ARG90	0.036(#3)	CL	P1-S	G,S
	U-Factor 0.31			SHGC (<1) 0.33				VT (<1) 0.48			CR 59	
475	142.094 SH / Opt 6 (INN Refo LR/KR/BR/S, No Foam): 70/36 / arg / lami (DS/DS 090 DS) 3/4" IG											
	0.117	0.345	0.264					ARG90	0.036(#2)	CL	P1-S	G,S
	U-Factor 0.31			SHGC (<1) 0.27				VT (<1) 0.48			CR 59	

**NFRC 100/200/500 Summary Sheet
Windgate/Belmont/Stormgate Single Hung**

ID	Pane Thickness 1	Gap Width 1	Pane Thickness 2	Gap Width 2	Pane Thickness 3	Gap Width 3	Pane Thickness 4	Gap Fill	Low-e (Surface#)	Tint	Spacer	Grid Type
	U-Factor			Solar Heat Gain Coefficient (SHGC) Grids (None / <1 / >=1)				Visible Transmittance (VT) Grids (None / <1 / >=1)		Condensation Resistance		
471	142.094 SH / Opt 6 (INN Refo LR/KR/BR/S, No Foam): 70/36 / arg / clr / arg / 70/36 (SS/SS/SS) 3/4" IG											
	0.090	0.250	0.090	0.250	0.090			ARG90	0.036(#2) / 0.036(#5)	CL	P1-S	N,S
	U-Factor 0.24			SHGC (N / <1) 0.26 / 0.24				VT (N / <1) 0.43 / 0.39		CR 69		
472	142.094 SH / Opt 6 (INN Refo LR/KR/BR/S, No Foam): 70/36 / arg / clr / arg / 70/36 (SS/SS/SS) 3/4" IG											
	0.090	0.250	0.090	0.250	0.090			ARG90	0.036(#2) / 0.036(#5)	CL	P1-S	G,S
	U-Factor 0.25			SHGC (<1) 0.24				VT (<1) 0.39		CR 69		
473	142.094 SH / Opt 6 (INN Refo LR/KR/BR/S, No Foam): 80/70 / air / clr (SS/SS) 3/4" IG											
	0.090	0.563	0.090					AIR	0.095(#2)	CL	P1-S	N,G,S
	U-Factor 0.33			SHGC (N / <1) 0.53 / 0.48				VT (N / <1) 0.64 / 0.57		CR 57		
	142.094 SH / Opt 6 (INN Refo LR/KR/BR/S, No Foam): clr / air / 80/70 (SS/SS) 3/4" IG											
	0.090	0.563	0.090					AIR	0.095(#3)	CL	P1-S	N,G,S
	U-Factor 0.33			SHGC (N / <1) 0.56 / 0.50				VT (N / <1) 0.64 / 0.57		CR 57		
474	142.094 SH / Opt 6 (INN Refo LR/KR/BR/S, No Foam): 80/70 / arg / clr (SS/SS) 3/4" IG											
	0.090	0.563	0.090					ARG90	0.095(#2)	CL	P1-S	N,G,S
	U-Factor 0.30			SHGC (N / <1) 0.53 / 0.48				VT (N / <1) 0.64 / 0.57		CR 61		
	142.094 SH / Opt 6 (INN Refo LR/KR/BR/S, No Foam): clr / arg / 80/70 (SS/SS) 3/4" IG											
	0.090	0.563	0.090					ARG90	0.095(#3)	CL	P1-S	N,G,S
	U-Factor 0.30			SHGC (N / <1) 0.56 / 0.50				VT (N / <1) 0.64 / 0.57		CR 61		
475	142.094 SH / Opt 6 (INN Refo LR/KR/BR/S, No Foam): 80/70 / air / clr (DS/DS) 3/4" IG											
	0.117	0.500	0.117					AIR	0.095(#2)	CL	P1-S	N,G,S
	U-Factor 0.33			SHGC (N / <1) 0.52 / 0.47				VT (N / <1) 0.63 / 0.57		CR 56		
	142.094 SH / Opt 6 (INN Refo LR/KR/BR/S, No Foam): clr / air / 80/70 (DS/DS) 3/4" IG											
	0.117	0.500	0.117					AIR	0.095(#3)	CL	P1-S	N,G,S
	U-Factor 0.33			SHGC (N / <1) 0.55 / 0.50				VT (N / <1) 0.63 / 0.57		CR 56		
476	142.094 SH / Opt 6 (INN Refo LR/KR/BR/S, No Foam): 80/70 / arg / clr (DS/DS) 3/4" IG											
	0.117	0.500	0.117					ARG90	0.095(#2)	CL	P1-S	N,G,S
	U-Factor 0.29			SHGC (N / <1) 0.52 / 0.47				VT (N / <1) 0.63 / 0.57		CR 60		
	142.094 SH / Opt 6 (INN Refo LR/KR/BR/S, No Foam): clr / arg / 80/70 (DS/DS) 3/4" IG											
	0.117	0.500	0.117					ARG90	0.095(#3)	CL	P1-S	N,G,S
	U-Factor 0.29			SHGC (N / <1) 0.55 / 0.50				VT (N / <1) 0.63 / 0.57		CR 60		

**NFRC 100/200/500 Summary Sheet
Windgate/Belmont/Stormgate Single Hung**

ID	Pane Thickness 1	Gap Width 1	Pane Thickness 2	Gap Width 2	Pane Thickness 3	Gap Width 3	Pane Thickness 4	Gap Width 4	Gap Fill	Low-e (Surface#)	Tint	Spacer	Grid Type
	U-Factor			Solar Heat Gain Coefficient (SHGC) Grids (None / <1 / >=1)				Visible Transmittance (VT) Grids (None / <1 / >=1)			Condensation Resistance		
477	142.094 SH / Opt 6 (INN Refo LR/KR/BR/S, No Foam): lami / arg / 80/70 (DS 090 DS/DS) 3/4" IG												
	0.264	0.345	0.117						ARG90	0.095(#3)	CL	P1-S	N,S
	U-Factor 0.31			SHGC (N / <1) 0.51 / 0.46				VT (N / <1) 0.62 / 0.56			CR 58		
	142.094 SH / Opt 6 (INN Refo LR/KR/BR/S, No Foam): 80/70 / arg / lami (DS/DS 090 DS) 3/4" IG												
	0.117	0.345	0.264						ARG90	0.095(#2)	CL	P1-S	N,S
	U-Factor 0.31			SHGC (N / <1) 0.51 / 0.46				VT (N / <1) 0.62 / 0.56			CR 58		
478	142.094 SH / Opt 6 (INN Refo LR/KR/BR/S, No Foam): lami / arg / 80/70 (DS 090 DS/DS) 3/4" IG												
	0.264	0.345	0.117						ARG90	0.095(#3)	CL	P1-S	G,S
	U-Factor 0.33			SHGC (<1) 0.46				VT (<1) 0.56			CR 58		
	142.094 SH / Opt 6 (INN Refo LR/KR/BR/S, No Foam): 80/70 / arg / lami (DS/DS 090 DS) 3/4" IG												
	0.117	0.345	0.264						ARG90	0.095(#2)	CL	P1-S	G,S
	U-Factor 0.33			SHGC (<1) 0.46				VT (<1) 0.56			CR 58		
479	142.094 SH / Opt 6 (INN Refo LR/KR/BR/S, No Foam): 80/70 / arg / clr / arg / 80/70 (SS/SS/SS) 3/4" IG												
	0.090	0.250	0.090	0.250	0.090				ARG90	0.095(#2) / 0.095(#5)	CL	P1-S	N,S
	U-Factor 0.25			SHGC (N / <1) 0.47 / 0.42				VT (N / <1) 0.58 / 0.51			CR 68		
480	142.094 SH / Opt 6 (INN Refo LR/KR/BR/S, No Foam): 80/70 / arg / clr / arg / 80/70 (SS/SS/SS) 3/4" IG												
	0.090	0.250	0.090	0.250	0.090				ARG90	0.095(#2) / 0.095(#5)	CL	P1-S	G,S
	U-Factor 0.26			SHGC (<1) 0.42				VT (<1) 0.51			CR 68		
481	142.094 SH / Opt 6 (INN Refo LR/KR/BR/S, No Foam): clr / air / clr (SS/SS) 3/4" IG												
	0.087	0.563	0.087						AIR		CL	SS-D	N,G,S
	U-Factor 0.46			SHGC (N / <1) 0.63 / 0.56				VT (N / <1) 0.65 / 0.58			CR 44		
482	142.094 SH / Opt 6 (INN Refo LR/KR/BR/S, No Foam): clr / air / clr (DS/DS) 3/4" IG												
	0.118	0.500	0.118						AIR		CL	SS-D	N,G,S
	U-Factor 0.46			SHGC (N / <1) 0.61 / 0.55				VT (N / <1) 0.65 / 0.58			CR 44		
483	142.094 SH / Opt 6 (INN Refo LR/KR/BR/S, No Foam): clr / air / clr (5mm/DS) 3/4" IG												
	0.185	0.438	0.118						AIR		CL	SS-D	N,G,S
	U-Factor 0.47			SHGC (N / <1) 0.59 / 0.53				VT (N / <1) 0.64 / 0.57			CR 44		
484	142.094 SH / Opt 6 (INN Refo LR/KR/BR/S, No Foam): clr / air / clr (5mm/DS) 3/4" IG												
	0.185	0.438	0.118						AIR		CL	SS-D	G
	U-Factor 0.47			SHGC (<1) 0.53				VT (<1) 0.57			CR 44		

**NFRC 100/200/500 Summary Sheet
Windgate/Belmont/Stormgate Single Hung**

ID	Pane Thickness 1	Gap Width 1	Pane Thickness 2	Gap Width 2	Pane Thickness 3	Gap Width 3	Pane Thickness 4	Gap Fill	Low-e (Surface#)	Tint	Spacer	Grid Type
	U-Factor			Solar Heat Gain Coefficient (SHGC) Grids (None / <1 / >=1)				Visible Transmittance (VT) Grids (None / <1 / >=1)			Condensation Resistance	
485	142.094 SH / Opt 6 (INN Refo LR/KR/BR/S, No Foam): lami / air / clr (DS 090 DS/DS) 3/4" IG											
	0.264	0.345	0.118					AIR		CL	SS-D	N,S
	U-Factor 0.48			SHGC (N / <1) 0.56 / 0.51				VT (N / <1) 0.63 / 0.57			CR 43	
	142.094 SH / Opt 6 (INN Refo LR/KR/BR/S, No Foam): clr / air / lami (DS/DS 090 DS) 3/4" IG											
	0.118	0.345	0.264					AIR		CL	SS-D	N,S
	U-Factor 0.48			SHGC (N / <1) 0.59 / 0.53				VT (N / <1) 0.63 / 0.57			CR 43	
486	142.094 SH / Opt 6 (INN Refo LR/KR/BR/S, No Foam): lami / air / clr (DS 090 DS/DS) 3/4" IG											
	0.264	0.345	0.118					AIR		CL	SS-D	G,S
	U-Factor 0.49			SHGC (<1) 0.51				VT (<1) 0.57			CR 43	
	142.094 SH / Opt 6 (INN Refo LR/KR/BR/S, No Foam): clr / air / lami (DS/DS 090 DS) 3/4" IG											
	0.118	0.345	0.264					AIR		CL	SS-D	G,S
	U-Factor 0.49			SHGC (<1) 0.53				VT (<1) 0.57			CR 43	
487	142.094 SH / Opt 6 (INN Refo LR/KR/BR/S, No Foam): clr / air / clr / air / clr (SS/SS/SS) 3/4" IG (P1-S)											
	0.087	0.250	0.087	0.250	0.087			AIR		CL	SS-D	N,S
	U-Factor 0.38			SHGC (N / <1) 0.57 / 0.51				VT (N / <1) 0.60 / 0.54			CR 54	
488	142.094 SH / Opt 6 (INN Refo LR/KR/BR/S, No Foam): clr / air / clr / air / clr (SS/SS/SS) 3/4" IG (P1-S)											
	0.087	0.250	0.087	0.250	0.087			AIR		CL	SS-D	G,S
	U-Factor 0.39			SHGC (<1) 0.51				VT (<1) 0.54			CR 54	
489	142.094 SH / Opt 6 (INN Refo LR/KR/BR/S, No Foam): E270 / air / clr (SS/SS) 3/4" IG											
	0.087	0.563	0.087					AIR	0.037(#2)	CL	SS-D	N,G,S
	U-Factor 0.33			SHGC (N / <1) 0.30 / 0.27				VT (N / <1) 0.55 / 0.49			CR 56	
	142.094 SH / Opt 6 (INN Refo LR/KR/BR/S, No Foam): clr / air / E270 (SS/SS) 3/4" IG											
	0.087	0.563	0.087					AIR	0.037(#3)	CL	SS-D	N,G,S
	U-Factor 0.33			SHGC (N / <1) 0.37 / 0.33				VT (N / <1) 0.55 / 0.49			CR 56	
490	142.094 SH / Opt 6 (INN Refo LR/KR/BR/S, No Foam): E270 / arg / clr (SS/SS) 3/4" IG											
	0.087	0.563	0.087					ARG90	0.037(#2)	CL	SS-D	N,G,S
	U-Factor 0.29			SHGC (N / <1) 0.29 / 0.26				VT (N / <1) 0.55 / 0.49			CR 59	
	142.094 SH / Opt 6 (INN Refo LR/KR/BR/S, No Foam): clr / arg / E270 (SS/SS) 3/4" IG											
	0.087	0.563	0.087					ARG90	0.037(#3)	CL	SS-D	N,G,S
	U-Factor 0.29			SHGC (N / <1) 0.37 / 0.33				VT (N / <1) 0.55 / 0.49			CR 59	

NFRC 100/200/500 Summary Sheet Windgate/Belmont/Stormgate Single Hung

ID	Pane Thickness 1	Gap Width 1	Pane Thickness 2	Gap Width 2	Pane Thickness 3	Gap Width 3	Pane Thickness 4	Gap Fill	Low-e (Surface#)	Tint	Spacer	Grid Type
	U-Factor			Solar Heat Gain Coefficient (SHGC) Grids (None / <1 / >=1)				Visible Transmittance (VT) Grids (None / <1 / >=1)			Condensation Resistance	
491	142.094 SH / Opt 6 (INN Refo LR/KR/BR/S, No Foam): E270 / air / clr (DS/DS) 3/4" IG											
	0.118	0.500	0.118					AIR	0.037(#2)	CL	SS-D	N,G,S
	U-Factor 0.32			SHGC (N / <1) 0.30 / 0.27				VT (N / <1) 0.55 / 0.49			CR 55	
492	142.094 SH / Opt 6 (INN Refo LR/KR/BR/S, No Foam): clr / air / E270 (DS/DS) 3/4" IG											
	0.118	0.500	0.118					AIR	0.037(#3)	CL	SS-D	N,G,S
	U-Factor 0.32			SHGC (N / <1) 0.36 / 0.33				VT (N / <1) 0.55 / 0.49			CR 55	
493	142.094 SH / Opt 6 (INN Refo LR/KR/BR/S, No Foam): E270 / arg / clr (DS/DS) 3/4" IG											
	0.118	0.500	0.118					ARG90	0.037(#2)	CL	SS-D	N,G,S
	U-Factor 0.29			SHGC (N / <1) 0.29 / 0.26				VT (N / <1) 0.55 / 0.49			CR 59	
494	142.094 SH / Opt 6 (INN Refo LR/KR/BR/S, No Foam): clr / arg / E270 (DS/DS) 3/4" IG											
	0.118	0.500	0.118					ARG90	0.037(#3)	CL	SS-D	N,G,S
	U-Factor 0.29			SHGC (N / <1) 0.36 / 0.33				VT (N / <1) 0.55 / 0.49			CR 59	
495	142.094 SH / Opt 6 (INN Refo LR/KR/BR/S, No Foam): lami / arg / E270 (DS 090 DS/DS) 3/4" IG											
	0.264	0.345	0.118					ARG90	0.037(#3)	CL	SS-D	N,S
	U-Factor 0.31			SHGC (N / <1) 0.35 / 0.31				VT (N / <1) 0.54 / 0.48			CR 56	
496	142.094 SH / Opt 6 (INN Refo LR/KR/BR/S, No Foam): E270 / arg / lami (DS/DS 090 DS) 3/4" IG											
	0.118	0.345	0.264					ARG90	0.037(#2)	CL	SS-D	N,S
	U-Factor 0.31			SHGC (N / <1) 0.29 / 0.26				VT (N / <1) 0.54 / 0.48			CR 56	
497	142.094 SH / Opt 6 (INN Refo LR/KR/BR/S, No Foam): E270 / arg / lami (DS/DS 090 DS) 3/4" IG											
	0.118	0.345	0.264					ARG90	0.037(#2)	CL	SS-D	G,S
	U-Factor 0.32			SHGC (<1) 0.31				VT (<1) 0.48			CR 56	
498	142.094 SH / Opt 6 (INN Refo LR/KR/BR/S, No Foam): E270 / arg / clr / arg / E270 (SS/SS/SS) 3/4" IG (SS-D)											
	0.087	0.266	0.087	0.266	0.087			ARG90	0.037(#2) / 0.037(#5)	CL	SS-D	N,S
	U-Factor 0.24			SHGC (N / <1) 0.25 / 0.23				VT (N / <1) 0.43 / 0.39			CR 67	
499	142.094 SH / Opt 6 (INN Refo LR/KR/BR/S, No Foam): E270 / arg / clr / arg / E270 (SS/SS/SS) 3/4" IG (SS-D)											
	0.087	0.266	0.087	0.266	0.087			ARG90	0.037(#2) / 0.037(#5)	CL	SS-D	G,S
	U-Factor 0.25			SHGC (<1) 0.23				VT (<1) 0.39			CR 67	

**NFRC 100/200/500 Summary Sheet
Windgate/Belmont/Stormgate Single Hung**

ID	Pane Thickness 1	Gap Width 1	Pane Thickness 2	Gap Width 2	Pane Thickness 3	Gap Width 3	Pane Thickness 4	Gap Fill	Low-e (Surface#)	Tint	Spacer	Grid Type
	U-Factor			Solar Heat Gain Coefficient (SHGC) Grids (None / <1 / >=1)				Visible Transmittance (VT) Grids (None / <1 / >=1)			Condensation Resistance	
497	142.094 SH / Opt 6 (INN Refo LR/KR/BR/S, No Foam): E366 / air / clr (SS/SS) 3/4" IG											
	0.087	0.563	0.087					AIR	0.022(#2)	CL	SS-D	N,G,S
	U-Factor 0.32			SHGC (N / <1) 0.22 / 0.20				VT (N / <1) 0.51 / 0.46			CR	56
	142.094 SH / Opt 6 (INN Refo LR/KR/BR/S, No Foam): clr / air / E366 (SS/SS) 3/4" IG											
	0.087	0.563	0.087					AIR	0.022(#3)	CL	SS-D	N,G,S
	U-Factor 0.32			SHGC (N / <1) 0.31 / 0.28				VT (N / <1) 0.51 / 0.46			CR	56
498	142.094 SH / Opt 6 (INN Refo LR/KR/BR/S, No Foam): E366 / arg / clr (SS/SS) 3/4" IG											
	0.087	0.563	0.087					ARG90	0.022(#2)	CL	SS-D	N,G,S
	U-Factor 0.29			SHGC (N / <1) 0.22 / 0.20				VT (N / <1) 0.51 / 0.46			CR	60
	142.094 SH / Opt 6 (INN Refo LR/KR/BR/S, No Foam): clr / arg / E366 (SS/SS) 3/4" IG											
	0.087	0.563	0.087					ARG90	0.022(#3)	CL	SS-D	N,G,S
	U-Factor 0.29			SHGC (N / <1) 0.31 / 0.28				VT (N / <1) 0.51 / 0.46			CR	60
499	142.094 SH / Opt 6 (INN Refo LR/KR/BR/S, No Foam): E366 / air / clr (DS/DS) 3/4" IG											
	0.117	0.500	0.118					AIR	0.022(#2)	CL	SS-D	N,G,S
	U-Factor 0.32			SHGC (N / <1) 0.22 / 0.20				VT (N / <1) 0.51 / 0.45			CR	55
	142.094 SH / Opt 6 (INN Refo LR/KR/BR/S, No Foam): clr / air / E366 (DS/DS) 3/4" IG											
	0.118	0.500	0.117					AIR	0.022(#3)	CL	SS-D	N,G,S
	U-Factor 0.32			SHGC (N / <1) 0.30 / 0.28				VT (N / <1) 0.51 / 0.45			CR	55
500	142.094 SH / Opt 6 (INN Refo LR/KR/BR/S, No Foam): E366 / arg / clr (DS/DS) 3/4" IG											
	0.117	0.500	0.118					ARG90	0.022(#2)	CL	SS-D	N,G,S
	U-Factor 0.28			SHGC (N / <1) 0.22 / 0.20				VT (N / <1) 0.51 / 0.45			CR	59
	142.094 SH / Opt 6 (INN Refo LR/KR/BR/S, No Foam): clr / arg / E366 (DS/DS) 3/4" IG											
	0.118	0.500	0.117					ARG90	0.022(#3)	CL	SS-D	N,G,S
	U-Factor 0.28			SHGC (N / <1) 0.31 / 0.28				VT (N / <1) 0.51 / 0.45			CR	59
501	142.094 SH / Opt 6 (INN Refo LR/KR/BR/S, No Foam): lami / arg / E366 (DS 090 DS/DS) 3/4" IG											
	0.264	0.345	0.117					ARG90	0.022(#3)	CL	SS-D	N,S
	U-Factor 0.30			SHGC (N / <1) 0.29 / 0.27				VT (N / <1) 0.50 / 0.44			CR	57
	142.094 SH / Opt 6 (INN Refo LR/KR/BR/S, No Foam): E366 / arg / lami (DS/DS 090 DS) 3/4" IG											
	0.117	0.345	0.264					ARG90	0.022(#2)	CL	SS-D	N,S
	U-Factor 0.30			SHGC (N / <1) 0.22 / 0.20				VT (N / <1) 0.50 / 0.44			CR	57

NFRC 100/200/500 Summary Sheet Windgate/Belmont/Stormgate Single Hung

ID	Pane Thickness 1	Gap Width 1	Pane Thickness 2	Gap Width 2	Pane Thickness 3	Gap Width 3	Pane Thickness 4	Gap Fill	Low-e (Surface#)	Tint	Spacer	Grid Type
	U-Factor			Solar Heat Gain Coefficient (SHGC) Grids (None / <1 / >=1)				Visible Transmittance (VT) Grids (None / <1 / >=1)			Condensation Resistance	
502	142.094 SH / Opt 6 (INN Refo LR/KR/BR/S, No Foam): lami / arg / E366 (DS 090 DS/DS) 3/4" IG											
	0.264	0.345	0.117					ARG90	0.022(#3)	CL	SS-D	G,S
	U-Factor 0.32			SHGC (<1) 0.27				VT (<1) 0.44			CR 57	
503	142.094 SH / Opt 6 (INN Refo LR/KR/BR/S, No Foam): E366 / arg / lami (DS/DS 090 DS) 3/4" IG											
	0.117	0.345	0.264					ARG90	0.022(#2)	CL	SS-D	G,S
	U-Factor 0.32			SHGC (<1) 0.20				VT (<1) 0.44			CR 57	
504	142.094 SH / Opt 6 (INN Refo LR/KR/BR/S, No Foam): E366 / arg / clr / arg / E366 (SS/SS/SS) 3/4" IG (SS-D)											
	0.087	0.266	0.087	0.266	0.087			ARG90	0.022(#2) / 0.022(#5)	CL	SS-D	N,S
	U-Factor 0.24			SHGC (N / <1) 0.19 / 0.17				VT (N / <1) 0.37 / 0.33			CR 67	
505	142.094 SH / Opt 6 (INN Refo LR/KR/BR/S, No Foam): clr / air / clr (SS/SS) 3/4" IG											
	0.087	0.563	0.087					AIR		CL	TS-D	N,G,S
	U-Factor 0.46			SHGC (N / <1) 0.63 / 0.56				VT (N / <1) 0.65 / 0.58			CR 44	
506	142.094 SH / Opt 6 (INN Refo LR/KR/BR/S, No Foam): clr / air / clr (DS/DS) 3/4" IG											
	0.118	0.500	0.118					AIR		CL	TS-D	N,G,S
	U-Factor 0.46			SHGC (N / <1) 0.61 / 0.55				VT (N / <1) 0.65 / 0.58			CR 43	
507	142.094 SH / Opt 6 (INN Refo LR/KR/BR/S, No Foam): clr / air / clr (5mm/DS) 3/4" IG											
	0.185	0.438	0.118					AIR		CL	TS-D	N,G,S
	U-Factor 0.47			SHGC (N / <1) 0.59 / 0.53				VT (N / <1) 0.64 / 0.57			CR 43	
508	142.094 SH / Opt 6 (INN Refo LR/KR/BR/S, No Foam): clr / air / clr (5mm/DS) 3/4" IG											
	0.185	0.438	0.118					AIR		CL	TS-D	G
	U-Factor 0.47			SHGC (<1) 0.53				VT (<1) 0.57			CR 43	
509	142.094 SH / Opt 6 (INN Refo LR/KR/BR/S, No Foam): lami / air / clr (DS 090 DS/DS) 3/4" IG											
	0.264	0.345	0.118					AIR		CL	TS-D	N,S
	U-Factor 0.48			SHGC (N / <1) 0.56 / 0.51				VT (N / <1) 0.63 / 0.57			CR 42	
	142.094 SH / Opt 6 (INN Refo LR/KR/BR/S, No Foam): clr / air / lami (DS/DS 090 DS) 3/4" IG											
	0.118	0.345	0.264					AIR		CL	TS-D	N,S
	U-Factor 0.48			SHGC (N / <1) 0.59 / 0.53				VT (N / <1) 0.63 / 0.57			CR 42	

**NFRC 100/200/500 Summary Sheet
Windgate/Belmont/Stormgate Single Hung**

ID	Pane Thickness 1	Gap Width 1	Pane Thickness 2	Gap Width 2	Pane Thickness 3	Gap Width 3	Pane Thickness 4	Gap Width 4	Gap Fill	Low-e (Surface#)	Tint	Spacer	Grid Type
	U-Factor			Solar Heat Gain Coefficient (SHGC) Grids (None / <1 / >=1)					Visible Transmittance (VT) Grids (None / <1 / >=1)			Condensation Resistance	
510	142.094 SH / Opt 6 (INN Refo LR/KR/BR/S, No Foam): lami / air / clr (DS 090 DS/DS) 3/4" IG												
	0.264	0.345	0.118						AIR		CL	TS-D	G,S
	U-Factor 0.49			SHGC (<1) 0.51					VT (<1) 0.57			CR 42	
	142.094 SH / Opt 6 (INN Refo LR/KR/BR/S, No Foam): clr / air / lami (DS/DS 090 DS) 3/4" IG												
	0.118	0.345	0.264						AIR		CL	TS-D	G,S
	U-Factor 0.49			SHGC (<1) 0.53					VT (<1) 0.57			CR 42	
511	142.094 SH / Opt 6 (INN Refo LR/KR/BR/S, No Foam): clr / air / clr / air / clr (SS/SS/SS) 3/4" IG (P1-S)												
	0.087	0.250	0.087	0.250	0.087				AIR		CL	TS-D	N,S
	U-Factor 0.39			SHGC (N / <1) 0.57 / 0.51					VT (N / <1) 0.60 / 0.54			CR 52	
512	142.094 SH / Opt 6 (INN Refo LR/KR/BR/S, No Foam): clr / air / clr / air / clr (SS/SS/SS) 3/4" IG (P1-S)												
	0.087	0.250	0.087	0.250	0.087				AIR		CL	TS-D	G,S
	U-Factor 0.40			SHGC (<1) 0.51					VT (<1) 0.54			CR 52	
513	142.094 SH / Opt 6 (INN Refo LR/KR/BR/S, No Foam): 70/36 / air / clr (SS/SS) 3/4" IG												
	0.090	0.563	0.090						AIR	0.036(#2)	CL	TS-D	N,G,S
	U-Factor 0.33			SHGC (N / <1) 0.31 / 0.28					VT (N / <1) 0.55 / 0.49			CR 55	
	142.094 SH / Opt 6 (INN Refo LR/KR/BR/S, No Foam): clr / air / 70/36 (SS/SS) 3/4" IG												
	0.090	0.563	0.090						AIR	0.036(#3)	CL	TS-D	N,G,S
	U-Factor 0.33			SHGC (N / <1) 0.39 / 0.35					VT (N / <1) 0.55 / 0.49			CR 55	
514	142.094 SH / Opt 6 (INN Refo LR/KR/BR/S, No Foam): 70/36 / arg / clr (SS/SS) 3/4" IG												
	0.090	0.563	0.090						ARG90	0.036(#2)	CL	TS-D	N,G,S
	U-Factor 0.29			SHGC (N / <1) 0.31 / 0.28					VT (N / <1) 0.55 / 0.49			CR 58	
	142.094 SH / Opt 6 (INN Refo LR/KR/BR/S, No Foam): clr / arg / 70/36 (SS/SS) 3/4" IG												
	0.090	0.563	0.090						ARG90	0.036(#3)	CL	TS-D	N,G,S
	U-Factor 0.29			SHGC (N / <1) 0.39 / 0.35					VT (N / <1) 0.55 / 0.49			CR 58	
515	142.094 SH / Opt 6 (INN Refo LR/KR/BR/S, No Foam): 70/36 / air / clr (DS/DS) 3/4" IG												
	0.117	0.500	0.117						AIR	0.036(#2)	CL	TS-D	N,G,S
	U-Factor 0.33			SHGC (N / <1) 0.31 / 0.28					VT (N / <1) 0.55 / 0.49			CR 54	
	142.094 SH / Opt 6 (INN Refo LR/KR/BR/S, No Foam): clr / air / 70/36 (DS/DS) 3/4" IG												
	0.117	0.500	0.117						AIR	0.036(#3)	CL	TS-D	N,G,S
	U-Factor 0.33			SHGC (N / <1) 0.38 / 0.34					VT (N / <1) 0.55 / 0.49			CR 54	

**NFRC 100/200/500 Summary Sheet
Windgate/Belmont/Stormgate Single Hung**

ID	Pane Thickness 1	Gap Width 1	Pane Thickness 2	Gap Width 2	Pane Thickness 3	Gap Width 3	Pane Thickness 4	Gap Fill	Low-e (Surface#)	Tint	Spacer	Grid Type
	U-Factor			Solar Heat Gain Coefficient (SHGC) Grids (None / <1 / >=1)				Visible Transmittance (VT) Grids (None / <1 / >=1)			Condensation Resistance	
516	142.094 SH / Opt 6 (INN Refo LR/KR/BR/S, No Foam): 70/36 / arg / clr (DS/DS) 3/4" IG											
	0.117	0.500	0.117					ARG90	0.036(#2)	CL	TS-D	N,G,S
	U-Factor 0.29			SHGC (N / <1) 0.30 / 0.27				VT (N / <1) 0.55 / 0.49			CR 57	
	142.094 SH / Opt 6 (INN Refo LR/KR/BR/S, No Foam): clr / arg / 70/36 (DS/DS) 3/4" IG											
	0.117	0.500	0.117					ARG90	0.036(#3)	CL	TS-D	N,G,S
	U-Factor 0.29			SHGC (N / <1) 0.38 / 0.35				VT (N / <1) 0.55 / 0.49			CR 57	
517	142.094 SH / Opt 6 (INN Refo LR/KR/BR/S, No Foam): lami / arg / 70/36 (DS 090 DS/DS) 3/4" IG											
	0.264	0.345	0.117					ARG90	0.036(#3)	CL	TS-D	N,S
	U-Factor 0.31			SHGC (N / <1) 0.36 / 0.33				VT (N / <1) 0.54 / 0.48			CR 55	
	142.094 SH / Opt 6 (INN Refo LR/KR/BR/S, No Foam): 70/36 / arg / lami (DS/DS 090 DS) 3/4" IG											
	0.117	0.345	0.264					ARG90	0.036(#2)	CL	TS-D	N,S
	U-Factor 0.31			SHGC (N / <1) 0.30 / 0.27				VT (N / <1) 0.54 / 0.48			CR 55	
518	142.094 SH / Opt 6 (INN Refo LR/KR/BR/S, No Foam): lami / arg / 70/36 (DS 090 DS/DS) 3/4" IG											
	0.264	0.345	0.117					ARG90	0.036(#3)	CL	TS-D	G,S
	U-Factor 0.32			SHGC (<1) 0.33				VT (<1) 0.48			CR 55	
	142.094 SH / Opt 6 (INN Refo LR/KR/BR/S, No Foam): 70/36 / arg / lami (DS/DS 090 DS) 3/4" IG											
	0.117	0.345	0.264					ARG90	0.036(#2)	CL	TS-D	G,S
	U-Factor 0.32			SHGC (<1) 0.27				VT (<1) 0.48			CR 55	
519	142.094 SH / Opt 6 (INN Refo LR/KR/BR/S, No Foam): 70/36 / arg / clr / arg / 70/36 (SS/SS/SS) 3/4" IG											
	0.090	0.250	0.090	0.250	0.090			ARG90	0.036(#2) / 0.036(#5)	CL	TS-D	N,S
	U-Factor 0.25			SHGC (N / <1) 0.26 / 0.24				VT (N / <1) 0.43 / 0.39			CR 64	
520	142.094 SH / Opt 6 (INN Refo LR/KR/BR/S, No Foam): 70/36 / arg / clr / arg / 70/36 (SS/SS/SS) 3/4" IG											
	0.090	0.250	0.090	0.250	0.090			ARG90	0.036(#2) / 0.036(#5)	CL	TS-D	G,S
	U-Factor 0.26			SHGC (<1) 0.24				VT (<1) 0.39			CR 64	
521	142.094 SH / Opt 6 (INN Refo LR/KR/BR/S, No Foam): 80/70 / air / clr (SS/SS) 3/4" IG											
	0.090	0.563	0.090					AIR	0.095(#2)	CL	TS-D	N,G,S
	U-Factor 0.34			SHGC (N / <1) 0.53 / 0.48				VT (N / <1) 0.64 / 0.57			CR 54	
	142.094 SH / Opt 6 (INN Refo LR/KR/BR/S, No Foam): clr / air / 80/70 (SS/SS) 3/4" IG											
	0.090	0.563	0.090					AIR	0.095(#3)	CL	TS-D	N,G,S
	U-Factor 0.34			SHGC (N / <1) 0.56 / 0.50				VT (N / <1) 0.64 / 0.57			CR 54	

**NFRC 100/200/500 Summary Sheet
Windgate/Belmont/Stormgate Single Hung**

ID	Pane Thickness 1	Gap Width 1	Pane Thickness 2	Gap Width 2	Pane Thickness 3	Gap Width 3	Pane Thickness 4	Gap Fill	Low-e (Surface#)	Tint	Spacer	Grid Type
	U-Factor			Solar Heat Gain Coefficient (SHGC) Grids (None / <1 / >=1)				Visible Transmittance (VT) Grids (None / <1 / >=1)			Condensation Resistance	
522	142.094 SH / Opt 6 (INN Refo LR/KR/BR/S, No Foam): 80/70 / arg / clr (SS/SS) 3/4" IG											
	0.090	0.563	0.090					ARG90	0.095(#2)	CL	TS-D	N,G,S
	U-Factor 0.31			SHGC (N / <1) 0.53 / 0.48				VT (N / <1) 0.64 / 0.57			CR 57	
	142.094 SH / Opt 6 (INN Refo LR/KR/BR/S, No Foam): clr / arg / 80/70 (SS/SS) 3/4" IG											
	0.090	0.563	0.090					ARG90	0.095(#3)	CL	TS-D	N,G,S
	U-Factor 0.31			SHGC (N / <1) 0.56 / 0.50				VT (N / <1) 0.64 / 0.57			CR 57	
523	142.094 SH / Opt 6 (INN Refo LR/KR/BR/S, No Foam): 80/70 / air / clr (DS/DS) 3/4" IG											
	0.117	0.500	0.117					AIR	0.095(#2)	CL	TS-D	N,G,S
	U-Factor 0.34			SHGC (N / <1) 0.52 / 0.47				VT (N / <1) 0.63 / 0.57			CR 53	
	142.094 SH / Opt 6 (INN Refo LR/KR/BR/S, No Foam): clr / air / 80/70 (DS/DS) 3/4" IG											
	0.117	0.500	0.117					AIR	0.095(#3)	CL	TS-D	N,G,S
	U-Factor 0.34			SHGC (N / <1) 0.55 / 0.50				VT (N / <1) 0.63 / 0.57			CR 53	
524	142.094 SH / Opt 6 (INN Refo LR/KR/BR/S, No Foam): 80/70 / arg / clr (DS/DS) 3/4" IG											
	0.117	0.500	0.117					ARG90	0.095(#2)	CL	TS-D	N,G,S
	U-Factor 0.31			SHGC (N / <1) 0.52 / 0.47				VT (N / <1) 0.63 / 0.57			CR 56	
	142.094 SH / Opt 6 (INN Refo LR/KR/BR/S, No Foam): clr / arg / 80/70 (DS/DS) 3/4" IG											
	0.117	0.500	0.117					ARG90	0.095(#3)	CL	TS-D	N,G,S
	U-Factor 0.31			SHGC (N / <1) 0.55 / 0.50				VT (N / <1) 0.63 / 0.57			CR 56	
525	142.094 SH / Opt 6 (INN Refo LR/KR/BR/S, No Foam): lami / arg / 80/70 (DS 090 DS/DS) 3/4" IG											
	0.264	0.345	0.117					ARG90	0.095(#3)	CL	TS-D	N,S
	U-Factor 0.33			SHGC (N / <1) 0.51 / 0.46				VT (N / <1) 0.62 / 0.56			CR 54	
	142.094 SH / Opt 6 (INN Refo LR/KR/BR/S, No Foam): 80/70 / arg / lami (DS/DS 090 DS) 3/4" IG											
	0.117	0.345	0.264					ARG90	0.095(#2)	CL	TS-D	N,S
	U-Factor 0.33			SHGC (N / <1) 0.51 / 0.46				VT (N / <1) 0.62 / 0.56			CR 54	
526	142.094 SH / Opt 6 (INN Refo LR/KR/BR/S, No Foam): lami / arg / 80/70 (DS 090 DS/DS) 3/4" IG											
	0.264	0.345	0.117					ARG90	0.095(#3)	CL	TS-D	G,S
	U-Factor 0.34			SHGC (<1) 0.46				VT (<1) 0.56			CR 54	
	142.094 SH / Opt 6 (INN Refo LR/KR/BR/S, No Foam): 80/70 / arg / lami (DS/DS 090 DS) 3/4" IG											
	0.117	0.345	0.264					ARG90	0.095(#2)	CL	TS-D	G,S
	U-Factor 0.34			SHGC (<1) 0.46				VT (<1) 0.56			CR 54	

**NFRC 100/200/500 Summary Sheet
Windgate/Belmont/Stormgate Single Hung**

ID	Pane Thickness 1	Gap Width 1	Pane Thickness 2	Gap Width 2	Pane Thickness 3	Gap Width 3	Pane Thickness 4	Gap Width 4	Gap Fill	Low-e (Surface#)	Tint	Spacer	Grid Type
	U-Factor			Solar Heat Gain Coefficient (SHGC) Grids (None / <1 / >=1)				Visible Transmittance (VT) Grids (None / <1 / >=1)			Condensation Resistance		
527	142.094 SH / Opt 6 (INN Refo LR/KR/BR/S, No Foam): 80/70 / arg / clr / arg / 80/70 (SS/SS/SS) 3/4" IG												
	0.090	0.250	0.090	0.250	0.090				ARG90	0.095(#2) / 0.095(#5)	CL	TS-D	N,S
	U-Factor 0.26			SHGC (N / <1) 0.47 / 0.42				VT (N / <1) 0.58 / 0.51			CR 64		
528	142.094 SH / Opt 6 (INN Refo LR/KR/BR/S, No Foam): 80/70 / arg / clr / arg / 80/70 (SS/SS/SS) 3/4" IG												
	0.090	0.250	0.090	0.250	0.090				ARG90	0.095(#2) / 0.095(#5)	CL	TS-D	G,S
	U-Factor 0.27			SHGC (<1) 0.42				VT (<1) 0.51			CR 64		
529	142.094 SH / Opt 7 (No Refo, Foam): clr / air / clr (SS/SS) 3/4" IG												
	0.087	0.563	0.087						AIR		CL	P1-S	N,G,S
	U-Factor 0.44			SHGC (N / <1) 0.63 / 0.56				VT (N / <1) 0.65 / 0.58			CR 46		
530	142.094 SH / Opt 7 (No Refo, Foam): clr / air / clr (DS/DS) 3/4" IG												
	0.118	0.500	0.118						AIR		CL	P1-S	N,G,S
	U-Factor 0.44			SHGC (N / <1) 0.61 / 0.55				VT (N / <1) 0.65 / 0.58			CR 45		
531	142.094 SH / Opt 7 (No Refo, Foam): clr / air / clr (5mm/DS) 3/4" IG												
	0.185	0.438	0.118						AIR		CL	P1-S	N,G,S
	U-Factor 0.45			SHGC (N / <1) 0.59 / 0.53				VT (N / <1) 0.64 / 0.57			CR 45		
532	142.094 SH / Opt 7 (No Refo, Foam): clr / air / clr (5mm/DS) 3/4" IG												
	0.185	0.438	0.118						AIR		CL	P1-S	G
	U-Factor 0.45			SHGC (<1) 0.53				VT (<1) 0.57			CR 45		
533	142.094 SH / Opt 7 (No Refo, Foam): lami / air / clr (DS 090 DS/DS) 3/4" IG												
	0.264	0.345	0.118						AIR		CL	P1-S	N,S
	U-Factor 0.46			SHGC (N / <1) 0.56 / 0.51				VT (N / <1) 0.63 / 0.57			CR 44		
	142.094 SH / Opt 7 (No Refo, Foam): clr / air / lami (DS/DS 090 DS) 3/4" IG												
	0.118	0.345	0.264						AIR		CL	P1-S	N,S
	U-Factor 0.46			SHGC (N / <1) 0.59 / 0.53				VT (N / <1) 0.63 / 0.57			CR 44		
534	142.094 SH / Opt 7 (No Refo, Foam): lami / air / clr (DS 090 DS/DS) 3/4" IG												
	0.264	0.345	0.118						AIR		CL	P1-S	G,S
	U-Factor 0.47			SHGC (<1) 0.51				VT (<1) 0.57			CR 44		
	142.094 SH / Opt 7 (No Refo, Foam): clr / air / lami (DS/DS 090 DS) 3/4" IG												
	0.118	0.345	0.264						AIR		CL	P1-S	G,S
	U-Factor 0.47			SHGC (<1) 0.53				VT (<1) 0.57			CR 44		

**NFRC 100/200/500 Summary Sheet
Windgate/Belmont/Stormgate Single Hung**

ID	Pane Thickness 1	Gap Width 1	Pane Thickness 2	Gap Width 2	Pane Thickness 3	Gap Width 3	Pane Thickness 4	Gap Fill	Low-e (Surface#)	Tint	Spacer	Grid Type
	U-Factor			Solar Heat Gain Coefficient (SHGC) Grids (None / <1 / >=1)				Visible Transmittance (VT) Grids (None / <1 / >=1)			Condensation Resistance	
535	142.094 SH / Opt 7 (No Refo, Foam): clr / air / clr / air / clr (SS/SS/SS) 3/4" IG (P1-S)											
	0.087	0.250	0.087	0.250	0.087			AIR		CL	P1-S	N,S
	U-Factor 0.37			SHGC (N / <1) 0.57 / 0.51				VT (N / <1) 0.60 / 0.54			CR	54
536	142.094 SH / Opt 7 (No Refo, Foam): clr / air / clr / air / clr (SS/SS/SS) 3/4" IG (P1-S)											
	0.087	0.250	0.087	0.250	0.087			AIR		CL	P1-S	G,S
	U-Factor 0.38			SHGC (<1) 0.51				VT (<1) 0.54			CR	54
537	142.094 SH / Opt 7 (No Refo, Foam): E270 / air / clr (SS/SS) 3/4" IG											
	0.087	0.563	0.087					AIR	0.037(#2)	CL	P1-S	N,G,S
	U-Factor 0.30			SHGC (N / <1) 0.30 / 0.27				VT (N / <1) 0.55 / 0.49			CR	58
	142.094 SH / Opt 7 (No Refo, Foam): clr / air / E270 (SS/SS) 3/4" IG											
	0.087	0.563	0.087					AIR	0.037(#3)	CL	P1-S	N,G,S
	U-Factor 0.30			SHGC (N / <1) 0.37 / 0.33				VT (N / <1) 0.55 / 0.49			CR	58
538	142.094 SH / Opt 7 (No Refo, Foam): E270 / arg / clr (SS/SS) 3/4" IG											
	0.087	0.563	0.087					ARG90	0.037(#2)	CL	P1-S	N,G,S
	U-Factor 0.27			SHGC (N / <1) 0.29 / 0.26				VT (N / <1) 0.55 / 0.49			CR	62
	142.094 SH / Opt 7 (No Refo, Foam): clr / arg / E270 (SS/SS) 3/4" IG											
	0.087	0.563	0.087					ARG90	0.037(#3)	CL	P1-S	N,G,S
	U-Factor 0.27			SHGC (N / <1) 0.37 / 0.33				VT (N / <1) 0.55 / 0.49			CR	62
539	142.094 SH / Opt 7 (No Refo, Foam): E270 / air / clr (DS/DS) 3/4" IG											
	0.118	0.500	0.118					AIR	0.037(#2)	CL	P1-S	N,G,S
	U-Factor 0.30			SHGC (N / <1) 0.30 / 0.27				VT (N / <1) 0.55 / 0.49			CR	57
	142.094 SH / Opt 7 (No Refo, Foam): clr / air / E270 (DS/DS) 3/4" IG											
	0.118	0.500	0.118					AIR	0.037(#3)	CL	P1-S	N,G,S
	U-Factor 0.30			SHGC (N / <1) 0.36 / 0.33				VT (N / <1) 0.55 / 0.49			CR	57
540	142.094 SH / Opt 7 (No Refo, Foam): E270 / arg / clr (DS/DS) 3/4" IG											
	0.118	0.500	0.118					ARG90	0.037(#2)	CL	P1-S	N,G,S
	U-Factor 0.27			SHGC (N / <1) 0.29 / 0.26				VT (N / <1) 0.55 / 0.49			CR	61
	142.094 SH / Opt 7 (No Refo, Foam): clr / arg / E270 (DS/DS) 3/4" IG											
	0.118	0.500	0.118					ARG90	0.037(#3)	CL	P1-S	N,G,S
	U-Factor 0.27			SHGC (N / <1) 0.36 / 0.33				VT (N / <1) 0.55 / 0.49			CR	61

**NFRC 100/200/500 Summary Sheet
Windgate/Belmont/Stormgate Single Hung**

ID	Pane Thickness 1	Gap Width 1	Pane Thickness 2	Gap Width 2	Pane Thickness 3	Gap Width 3	Pane Thickness 4	Gap Fill	Low-e (Surface#)	Tint	Spacer	Grid Type
	U-Factor			Solar Heat Gain Coefficient (SHGC) Grids (None / <1 / >=1)				Visible Transmittance (VT) Grids (None / <1 / >=1)			Condensation Resistance	
541	142.094 SH / Opt 7 (No Refo, Foam): lami / arg / E270 (DS 090 DS/DS) 3/4" IG											
	0.264	0.345	0.118					ARG90	0.037(#3)	CL	P1-S	N,S
	U-Factor 0.29			SHGC (N / <1) 0.35 / 0.31				VT (N / <1) 0.54 / 0.48			CR	59
	142.094 SH / Opt 7 (No Refo, Foam): E270 / arg / lami (DS/DS 090 DS) 3/4" IG											
	0.118	0.345	0.264					ARG90	0.037(#2)	CL	P1-S	N,S
	U-Factor 0.29			SHGC (N / <1) 0.29 / 0.26				VT (N / <1) 0.54 / 0.48			CR	59
542	142.094 SH / Opt 7 (No Refo, Foam): lami / arg / E270 (DS 090 DS/DS) 3/4" IG											
	0.264	0.345	0.118					ARG90	0.037(#3)	CL	P1-S	G,S
	U-Factor 0.30			SHGC (<1) 0.31				VT (<1) 0.48			CR	59
	142.094 SH / Opt 7 (No Refo, Foam): E270 / arg / lami (DS/DS 090 DS) 3/4" IG											
	0.118	0.345	0.264					ARG90	0.037(#2)	CL	P1-S	G,S
	U-Factor 0.30			SHGC (<1) 0.26				VT (<1) 0.48			CR	59
543	142.094 SH / Opt 7 (No Refo, Foam): E270 / arg / clr / arg / E270 (SS/SS/SS) 3/4" IG (P1-S)											
	0.087	0.250	0.087	0.250	0.087			ARG90	0.037(#2) / 0.037(#5)	CL	P1-S	N,S
	U-Factor 0.23			SHGC (N / <1) 0.25 / 0.23				VT (N / <1) 0.43 / 0.39			CR	69
544	142.094 SH / Opt 7 (No Refo, Foam): E270 / arg / clr / arg / E270 (SS/SS/SS) 3/4" IG (P1-S)											
	0.087	0.250	0.087	0.250	0.087			ARG90	0.037(#2) / 0.037(#5)	CL	P1-S	G,S
	U-Factor 0.24			SHGC (<1) 0.23				VT (<1) 0.39			CR	69
545	142.094 SH / Opt 7 (No Refo, Foam): E366 / air / clr (SS/SS) 3/4" IG											
	0.087	0.563	0.087					AIR	0.022(#2)	CL	P1-S	N,G,S
	U-Factor 0.30			SHGC (N / <1) 0.22 / 0.20				VT (N / <1) 0.51 / 0.46			CR	58
	142.094 SH / Opt 7 (No Refo, Foam): clr / air / E366 (SS/SS) 3/4" IG											
	0.087	0.563	0.087					AIR	0.022(#3)	CL	P1-S	N,G,S
	U-Factor 0.30			SHGC (N / <1) 0.31 / 0.28				VT (N / <1) 0.51 / 0.46			CR	58
546	142.094 SH / Opt 7 (No Refo, Foam): E366 / arg / clr (SS/SS) 3/4" IG											
	0.087	0.563	0.087					ARG90	0.022(#2)	CL	P1-S	N,G,S
	U-Factor 0.26			SHGC (N / <1) 0.22 / 0.20				VT (N / <1) 0.51 / 0.46			CR	63
	142.094 SH / Opt 7 (No Refo, Foam): clr / arg / E366 (SS/SS) 3/4" IG											
	0.087	0.563	0.087					ARG90	0.022(#3)	CL	P1-S	N,G,S
	U-Factor 0.26			SHGC (N / <1) 0.31 / 0.28				VT (N / <1) 0.51 / 0.46			CR	63

NFRC 100/200/500 Summary Sheet Windgate/Belmont/Stormgate Single Hung

ID	Pane Thickness 1	Gap Width 1	Pane Thickness 2	Gap Width 2	Pane Thickness 3	Gap Width 3	Pane Thickness 4	Gap Fill	Low-e (Surface#)	Tint	Spacer	Grid Type
	U-Factor			Solar Heat Gain Coefficient (SHGC) Grids (None / <1 / >=1)				Visible Transmittance (VT) Grids (None / <1 / >=1)			Condensation Resistance	
547	142.094 SH / Opt 7 (No Refo, Foam): E366 / air / clr (DS/DS) 3/4" IG											
	0.117	0.500	0.118					AIR	0.022(#2)	CL	P1-S	N,G,S
	U-Factor 0.30			SHGC (N / <1) 0.22 / 0.20				VT (N / <1) 0.51 / 0.45			CR	58
548	142.094 SH / Opt 7 (No Refo, Foam): clr / air / E366 (DS/DS) 3/4" IG											
	0.118	0.500	0.117					AIR	0.022(#3)	CL	P1-S	N,G,S
	U-Factor 0.30			SHGC (N / <1) 0.30 / 0.28				VT (N / <1) 0.51 / 0.45			CR	58
548	142.094 SH / Opt 7 (No Refo, Foam): E366 / arg / clr (DS/DS) 3/4" IG											
	0.117	0.500	0.118					ARG90	0.022(#2)	CL	P1-S	N,G,S
	U-Factor 0.26			SHGC (N / <1) 0.22 / 0.20				VT (N / <1) 0.51 / 0.45			CR	62
549	142.094 SH / Opt 7 (No Refo, Foam): clr / arg / E366 (DS/DS) 3/4" IG											
	0.118	0.500	0.117					ARG90	0.022(#3)	CL	P1-S	N,G,S
	U-Factor 0.26			SHGC (N / <1) 0.31 / 0.28				VT (N / <1) 0.51 / 0.45			CR	62
549	142.094 SH / Opt 7 (No Refo, Foam): lami / arg / E366 (DS 090 DS/DS) 3/4" IG											
	0.264	0.345	0.117					ARG90	0.022(#3)	CL	P1-S	N,S
	U-Factor 0.28			SHGC (N / <1) 0.29 / 0.27				VT (N / <1) 0.50 / 0.44			CR	60
549	142.094 SH / Opt 7 (No Refo, Foam): E366 / arg / lami (DS/DS 090 DS) 3/4" IG											
	0.117	0.345	0.264					ARG90	0.022(#2)	CL	P1-S	N,S
	U-Factor 0.28			SHGC (N / <1) 0.22 / 0.20				VT (N / <1) 0.50 / 0.44			CR	60
550	142.094 SH / Opt 7 (No Refo, Foam): lami / arg / E366 (DS 090 DS/DS) 3/4" IG											
	0.264	0.345	0.117					ARG90	0.022(#3)	CL	P1-S	G,S
	U-Factor 0.30			SHGC (<1) 0.27				VT (<1) 0.44			CR	60
550	142.094 SH / Opt 7 (No Refo, Foam): E366 / arg / lami (DS/DS 090 DS) 3/4" IG											
	0.117	0.345	0.264					ARG90	0.022(#2)	CL	P1-S	G,S
	U-Factor 0.30			SHGC (<1) 0.20				VT (<1) 0.44			CR	60
551	142.094 SH / Opt 7 (No Refo, Foam): E366 / arg / clr / arg / E366 (SS/SS/SS) 3/4" IG (P1-S)											
	0.087	0.250	0.087	0.250	0.087			ARG90	0.022(#2) / 0.022(#5)	CL	P1-S	N,S
	U-Factor 0.23			SHGC (N / <1) 0.19 / 0.17				VT (N / <1) 0.37 / 0.33			CR	70
552	142.094 SH / Opt 7 (No Refo, Foam): E366 / arg / clr / arg / E366 (SS/SS/SS) 3/4" IG (P1-S)											
	0.087	0.250	0.087	0.250	0.087			ARG90	0.022(#2) / 0.022(#5)	CL	P1-S	G,S
	U-Factor 0.23			SHGC (<1) 0.17				VT (<1) 0.33			CR	70

NFRC 100/200/500 Summary Sheet Windgate/Belmont/Stormgate Single Hung

ID	Pane Thickness 1	Gap Width 1	Pane Thickness 2	Gap Width 2	Pane Thickness 3	Gap Width 3	Pane Thickness 4	Gap Fill	Low-e (Surface#)	Tint	Spacer	Grid Type
	U-Factor			Solar Heat Gain Coefficient (SHGC) Grids (None / <1 / >=1)				Visible Transmittance (VT) Grids (None / <1 / >=1)			Condensation Resistance	
553	142.094 SH / Opt 7 (No Refo, Foam): 70/36 / air / clr (SS/SS) 3/4" IG											
	0.090	0.563	0.090					AIR	0.036(#2)	CL	P1-S	N,G,S
	U-Factor 0.30			SHGC (N / <1) 0.31 / 0.28				VT (N / <1) 0.55 / 0.49			CR 58	
554	142.094 SH / Opt 7 (No Refo, Foam): clr / air / 70/36 (SS/SS) 3/4" IG											
	0.090	0.563	0.090					AIR	0.036(#3)	CL	P1-S	N,G,S
	U-Factor 0.30			SHGC (N / <1) 0.39 / 0.35				VT (N / <1) 0.55 / 0.49			CR 58	
554	142.094 SH / Opt 7 (No Refo, Foam): 70/36 / arg / clr (SS/SS) 3/4" IG											
	0.090	0.563	0.090					ARG90	0.036(#2)	CL	P1-S	N,G,S
	U-Factor 0.27			SHGC (N / <1) 0.31 / 0.28				VT (N / <1) 0.55 / 0.49			CR 62	
555	142.094 SH / Opt 7 (No Refo, Foam): clr / arg / 70/36 (SS/SS) 3/4" IG											
	0.090	0.563	0.090					ARG90	0.036(#3)	CL	P1-S	N,G,S
	U-Factor 0.27			SHGC (N / <1) 0.39 / 0.35				VT (N / <1) 0.55 / 0.49			CR 62	
555	142.094 SH / Opt 7 (No Refo, Foam): 70/36 / air / clr (DS/DS) 3/4" IG											
	0.117	0.500	0.117					AIR	0.036(#2)	CL	P1-S	N,G,S
	U-Factor 0.30			SHGC (N / <1) 0.31 / 0.28				VT (N / <1) 0.55 / 0.49			CR 57	
556	142.094 SH / Opt 7 (No Refo, Foam): clr / air / 70/36 (DS/DS) 3/4" IG											
	0.117	0.500	0.117					AIR	0.036(#3)	CL	P1-S	N,G,S
	U-Factor 0.30			SHGC (N / <1) 0.38 / 0.34				VT (N / <1) 0.55 / 0.49			CR 57	
556	142.094 SH / Opt 7 (No Refo, Foam): 70/36 / arg / clr (DS/DS) 3/4" IG											
	0.117	0.500	0.117					ARG90	0.036(#2)	CL	P1-S	N,G,S
	U-Factor 0.27			SHGC (N / <1) 0.30 / 0.27				VT (N / <1) 0.55 / 0.49			CR 61	
557	142.094 SH / Opt 7 (No Refo, Foam): clr / arg / 70/36 (DS/DS) 3/4" IG											
	0.117	0.500	0.117					ARG90	0.036(#3)	CL	P1-S	N,G,S
	U-Factor 0.27			SHGC (N / <1) 0.38 / 0.35				VT (N / <1) 0.55 / 0.49			CR 61	
557	142.094 SH / Opt 7 (No Refo, Foam): lami / arg / 70/36 (DS/DS) 3/4" IG											
	0.264	0.345	0.117					ARG90	0.036(#3)	CL	P1-S	N,S
	U-Factor 0.29			SHGC (N / <1) 0.36 / 0.33				VT (N / <1) 0.54 / 0.48			CR 59	
557	142.094 SH / Opt 7 (No Refo, Foam): 70/36 / arg / lami (DS/DS) 3/4" IG											
	0.117	0.345	0.264					ARG90	0.036(#2)	CL	P1-S	N,S
	U-Factor 0.29			SHGC (N / <1) 0.30 / 0.27				VT (N / <1) 0.54 / 0.48			CR 59	

**NFRC 100/200/500 Summary Sheet
Windgate/Belmont/Stormgate Single Hung**

ID	Pane Thickness 1	Gap Width 1	Pane Thickness 2	Gap Width 2	Pane Thickness 3	Gap Width 3	Pane Thickness 4	Gap Fill	Low-e (Surface#)	Tint	Spacer	Grid Type
	U-Factor			Solar Heat Gain Coefficient (SHGC) Grids (None / <1 / >=1)				Visible Transmittance (VT) Grids (None / <1 / >=1)			Condensation Resistance	
558	142.094 SH / Opt 7 (No Refo, Foam): lami / arg / 70/36 (DS 090 DS/DS) 3/4" IG											
	0.264	0.345	0.117					ARG90	0.036(#3)	CL	P1-S	G,S
	U-Factor 0.30			SHGC (<1) 0.33				VT (<1) 0.48			CR 59	
	142.094 SH / Opt 7 (No Refo, Foam): 70/36 / arg / lami (DS/DS 090 DS) 3/4" IG											
	0.117	0.345	0.264					ARG90	0.036(#2)	CL	P1-S	G,S
	U-Factor 0.30			SHGC (<1) 0.27				VT (<1) 0.48			CR 59	
559	142.094 SH / Opt 7 (No Refo, Foam): 70/36 / arg / clr / arg / 70/36 (SS/SS/SS) 3/4" IG											
	0.090	0.250	0.090	0.250	0.090			ARG90	0.036(#2) / 0.036(#5)	CL	P1-S	N,S
	U-Factor 0.23			SHGC (N / <1) 0.26 / 0.24				VT (N / <1) 0.43 / 0.39			CR 69	
560	142.094 SH / Opt 7 (No Refo, Foam): 70/36 / arg / clr / arg / 70/36 (SS/SS/SS) 3/4" IG											
	0.090	0.250	0.090	0.250	0.090			ARG90	0.036(#2) / 0.036(#5)	CL	P1-S	G,S
	U-Factor 0.24			SHGC (<1) 0.24				VT (<1) 0.39			CR 69	
561	142.094 SH / Opt 7 (No Refo, Foam): 80/70 / air / clr (SS/SS) 3/4" IG											
	0.090	0.563	0.090					AIR	0.095(#2)	CL	P1-S	N,G,S
	U-Factor 0.32			SHGC (N / <1) 0.53 / 0.48				VT (N / <1) 0.64 / 0.57			CR 57	
	142.094 SH / Opt 7 (No Refo, Foam): clr / air / 80/70 (SS/SS) 3/4" IG											
	0.090	0.563	0.090					AIR	0.095(#3)	CL	P1-S	N,G,S
	U-Factor 0.32			SHGC (N / <1) 0.56 / 0.50				VT (N / <1) 0.64 / 0.57			CR 57	
562	142.094 SH / Opt 7 (No Refo, Foam): 80/70 / arg / clr (SS/SS) 3/4" IG											
	0.090	0.563	0.090					ARG90	0.095(#2)	CL	P1-S	N,G,S
	U-Factor 0.29			SHGC (N / <1) 0.53 / 0.48				VT (N / <1) 0.64 / 0.57			CR 61	
	142.094 SH / Opt 7 (No Refo, Foam): clr / arg / 80/70 (SS/SS) 3/4" IG											
	0.090	0.563	0.090					ARG90	0.095(#3)	CL	P1-S	N,G,S
	U-Factor 0.29			SHGC (N / <1) 0.56 / 0.50				VT (N / <1) 0.64 / 0.57			CR 61	
563	142.094 SH / Opt 7 (No Refo, Foam): 80/70 / air / clr (DS/DS) 3/4" IG											
	0.117	0.500	0.117					AIR	0.095(#2)	CL	P1-S	N,G,S
	U-Factor 0.32			SHGC (N / <1) 0.52 / 0.47				VT (N / <1) 0.63 / 0.57			CR 56	
	142.094 SH / Opt 7 (No Refo, Foam): clr / air / 80/70 (DS/DS) 3/4" IG											
	0.117	0.500	0.117					AIR	0.095(#3)	CL	P1-S	N,G,S
	U-Factor 0.32			SHGC (N / <1) 0.55 / 0.50				VT (N / <1) 0.63 / 0.57			CR 56	

**NFRC 100/200/500 Summary Sheet
Windgate/Belmont/Stormgate Single Hung**

ID	Pane Thickness 1	Gap Width 1	Pane Thickness 2	Gap Width 2	Pane Thickness 3	Gap Width 3	Pane Thickness 4	Gap Width 4	Gap Fill	Low-e (Surface#)	Tint	Spacer	Grid Type
	U-Factor			Solar Heat Gain Coefficient (SHGC) Grids (None / <1 / >=1)					Visible Transmittance (VT) Grids (None / <1 / >=1)			Condensation Resistance	
564	142.094 SH / Opt 7 (No Refo, Foam): 80/70 / arg / clr (DS/DS) 3/4" IG												
	0.117	0.500	0.117						ARG90	0.095(#2)	CL	P1-S	N,G,S
	U-Factor 0.28			SHGC (N / <1) 0.52 / 0.47					VT (N / <1) 0.63 / 0.57			CR	60
	142.094 SH / Opt 7 (No Refo, Foam): clr / arg / 80/70 (DS/DS) 3/4" IG												
	0.117	0.500	0.117						ARG90	0.095(#3)	CL	P1-S	N,G,S
	U-Factor 0.28			SHGC (N / <1) 0.55 / 0.50					VT (N / <1) 0.63 / 0.57			CR	60
565	142.094 SH / Opt 7 (No Refo, Foam): lami / arg / 80/70 (DS 090 DS/DS) 3/4" IG												
	0.264	0.345	0.117						ARG90	0.095(#3)	CL	P1-S	N,S
	U-Factor 0.30			SHGC (N / <1) 0.51 / 0.46					VT (N / <1) 0.62 / 0.56			CR	58
	142.094 SH / Opt 7 (No Refo, Foam): 80/70 / arg / lami (DS/DS 090 DS) 3/4" IG												
	0.117	0.345	0.264						ARG90	0.095(#2)	CL	P1-S	N,S
	U-Factor 0.30			SHGC (N / <1) 0.51 / 0.46					VT (N / <1) 0.62 / 0.56			CR	58
566	142.094 SH / Opt 7 (No Refo, Foam): lami / arg / 80/70 (DS 090 DS/DS) 3/4" IG												
	0.264	0.345	0.117						ARG90	0.095(#3)	CL	P1-S	G,S
	U-Factor 0.32			SHGC (<1) 0.46					VT (<1) 0.56			CR	58
	142.094 SH / Opt 7 (No Refo, Foam): 80/70 / arg / lami (DS/DS 090 DS) 3/4" IG												
	0.117	0.345	0.264						ARG90	0.095(#2)	CL	P1-S	G,S
	U-Factor 0.32			SHGC (<1) 0.46					VT (<1) 0.56			CR	58
567	142.094 SH / Opt 7 (No Refo, Foam): 80/70 / arg / clr / arg / 80/70 (SS/SS/SS) 3/4" IG												
	0.090	0.250	0.090	0.250	0.090				ARG90	0.095(#2) / 0.095(#5)	CL	P1-S	N,S
	U-Factor 0.24			SHGC (N / <1) 0.47 / 0.42					VT (N / <1) 0.58 / 0.51			CR	68
568	142.094 SH / Opt 7 (No Refo, Foam): 80/70 / arg / clr / arg / 80/70 (SS/SS/SS) 3/4" IG												
	0.090	0.250	0.090	0.250	0.090				ARG90	0.095(#2) / 0.095(#5)	CL	P1-S	G,S
	U-Factor 0.25			SHGC (<1) 0.42					VT (<1) 0.51			CR	68
569	142.094 SH / Opt 7 (No Refo, Foam): clr / air / clr (SS/SS) 3/4" IG												
	0.087	0.563	0.087						AIR		CL	SS-D	N,G,S
	U-Factor 0.45			SHGC (N / <1) 0.63 / 0.56					VT (N / <1) 0.65 / 0.58			CR	44
570	142.094 SH / Opt 7 (No Refo, Foam): clr / air / clr (DS/DS) 3/4" IG												
	0.118	0.500	0.118						AIR		CL	SS-D	N,G,S
	U-Factor 0.45			SHGC (N / <1) 0.61 / 0.55					VT (N / <1) 0.65 / 0.58			CR	44

NFRC 100/200/500 Summary Sheet Windgate/Belmont/Stormgate Single Hung

ID	Pane Thickness 1	Gap Width 1	Pane Thickness 2	Gap Width 2	Pane Thickness 3	Gap Width 3	Pane Thickness 4	Gap Width 4	Gap Fill	Low-e (Surface#)	Tint	Spacer	Grid Type
	U-Factor			Solar Heat Gain Coefficient (SHGC) Grids (None / <1 / >=1)					Visible Transmittance (VT) Grids (None / <1 / >=1)			Condensation Resistance	
571	142.094 SH / Opt 7 (No Refo, Foam): clr / air / clr (5mm/DS) 3/4" IG												
	0.185	0.438	0.118						AIR		CL	SS-D	N,G,S
	U-Factor 0.46			SHGC (N / <1) 0.59 / 0.53					VT (N / <1) 0.64 / 0.57			CR 43	
572	142.094 SH / Opt 7 (No Refo, Foam): clr / air / clr (5mm/DS) 3/4" IG												
	0.185	0.438	0.118						AIR		CL	SS-D	G
	U-Factor 0.46			SHGC (<1) 0.53					VT (<1) 0.57			CR 43	
573	142.094 SH / Opt 7 (No Refo, Foam): lami / air / clr (DS 090 DS/DS) 3/4" IG												
	0.264	0.345	0.118						AIR		CL	SS-D	N,S
	U-Factor 0.47			SHGC (N / <1) 0.56 / 0.51					VT (N / <1) 0.63 / 0.57			CR 43	
	142.094 SH / Opt 7 (No Refo, Foam): clr / air / lami (DS/DS 090 DS) 3/4" IG												
	0.118	0.345	0.264						AIR		CL	SS-D	N,S
	U-Factor 0.47			SHGC (N / <1) 0.59 / 0.53					VT (N / <1) 0.63 / 0.57			CR 43	
574	142.094 SH / Opt 7 (No Refo, Foam): lami / air / clr (DS 090 DS/DS) 3/4" IG												
	0.264	0.345	0.118						AIR		CL	SS-D	G,S
	U-Factor 0.48			SHGC (<1) 0.51					VT (<1) 0.57			CR 43	
	142.094 SH / Opt 7 (No Refo, Foam): clr / air / lami (DS/DS 090 DS) 3/4" IG												
	0.118	0.345	0.264						AIR		CL	SS-D	G,S
	U-Factor 0.48			SHGC (<1) 0.53					VT (<1) 0.57			CR 43	
575	142.094 SH / Opt 7 (No Refo, Foam): clr / air / clr / air / clr (SS/SS/SS) 3/4" IG (P1-S)												
	0.087	0.250	0.087	0.250	0.087				AIR		CL	SS-D	N,S
	U-Factor 0.37			SHGC (N / <1) 0.57 / 0.51					VT (N / <1) 0.60 / 0.54			CR 53	
576	142.094 SH / Opt 7 (No Refo, Foam): clr / air / clr / air / clr (SS/SS/SS) 3/4" IG (P1-S)												
	0.087	0.250	0.087	0.250	0.087				AIR		CL	SS-D	G,S
	U-Factor 0.38			SHGC (<1) 0.51					VT (<1) 0.54			CR 53	
577	142.094 SH / Opt 7 (No Refo, Foam): E270 / air / clr (SS/SS) 3/4" IG												
	0.087	0.563	0.087						AIR	0.037(#2)	CL	SS-D	N,G,S
	U-Factor 0.32			SHGC (N / <1) 0.30 / 0.27					VT (N / <1) 0.55 / 0.49			CR 56	
	142.094 SH / Opt 7 (No Refo, Foam): clr / air / E270 (SS/SS) 3/4" IG												
	0.087	0.563	0.087						AIR	0.037(#3)	CL	SS-D	N,G,S
	U-Factor 0.32			SHGC (N / <1) 0.37 / 0.33					VT (N / <1) 0.55 / 0.49			CR 56	

**NFRC 100/200/500 Summary Sheet
Windgate/Belmont/Stormgate Single Hung**

ID	Pane Thickness 1	Gap Width 1	Pane Thickness 2	Gap Width 2	Pane Thickness 3	Gap Width 3	Pane Thickness 4	Gap Fill	Low-e (Surface#)	Tint	Spacer	Grid Type
	U-Factor			Solar Heat Gain Coefficient (SHGC) Grids (None / <1 / >=1)				Visible Transmittance (VT) Grids (None / <1 / >=1)			Condensation Resistance	
578	142.094 SH / Opt 7 (No Refo, Foam): E270 / arg / clr (SS/SS) 3/4" IG											
	0.087	0.563	0.087					ARG90	0.037(#2)	CL	SS-D	N,G,S
	U-Factor 0.28			SHGC (N / <1) 0.29 / 0.26				VT (N / <1) 0.55 / 0.49			CR 59	
579	142.094 SH / Opt 7 (No Refo, Foam): clr / arg / E270 (SS/SS) 3/4" IG											
	0.087	0.563	0.087					ARG90	0.037(#3)	CL	SS-D	N,G,S
	U-Factor 0.28			SHGC (N / <1) 0.37 / 0.33				VT (N / <1) 0.55 / 0.49			CR 59	
580	142.094 SH / Opt 7 (No Refo, Foam): E270 / air / clr (DS/DS) 3/4" IG											
	0.118	0.500	0.118					AIR	0.037(#2)	CL	SS-D	N,G,S
	U-Factor 0.31			SHGC (N / <1) 0.30 / 0.27				VT (N / <1) 0.55 / 0.49			CR 55	
581	142.094 SH / Opt 7 (No Refo, Foam): clr / air / E270 (DS/DS) 3/4" IG											
	0.118	0.500	0.118					AIR	0.037(#3)	CL	SS-D	N,G,S
	U-Factor 0.31			SHGC (N / <1) 0.36 / 0.33				VT (N / <1) 0.55 / 0.49			CR 55	
582	142.094 SH / Opt 7 (No Refo, Foam): E270 / arg / clr (DS/DS) 3/4" IG											
	0.118	0.500	0.118					ARG90	0.037(#2)	CL	SS-D	N,G,S
	U-Factor 0.28			SHGC (N / <1) 0.29 / 0.26				VT (N / <1) 0.55 / 0.49			CR 59	
583	142.094 SH / Opt 7 (No Refo, Foam): clr / arg / E270 (DS/DS) 3/4" IG											
	0.118	0.500	0.118					ARG90	0.037(#3)	CL	SS-D	N,G,S
	U-Factor 0.28			SHGC (N / <1) 0.36 / 0.33				VT (N / <1) 0.55 / 0.49			CR 59	
584	142.094 SH / Opt 7 (No Refo, Foam): lami / arg / E270 (DS 090 DS/DS) 3/4" IG											
	0.264	0.345	0.118					ARG90	0.037(#3)	CL	SS-D	N,S
	U-Factor 0.30			SHGC (N / <1) 0.35 / 0.31				VT (N / <1) 0.54 / 0.48			CR 56	
585	142.094 SH / Opt 7 (No Refo, Foam): E270 / arg / lami (DS/DS 090 DS) 3/4" IG											
	0.118	0.345	0.264					ARG90	0.037(#2)	CL	SS-D	N,S
	U-Factor 0.30			SHGC (N / <1) 0.29 / 0.26				VT (N / <1) 0.54 / 0.48			CR 56	
586	142.094 SH / Opt 7 (No Refo, Foam): lami / arg / E270 (DS 090 DS/DS) 3/4" IG											
	0.264	0.345	0.118					ARG90	0.037(#3)	CL	SS-D	G,S
	U-Factor 0.31			SHGC (<1) 0.31				VT (<1) 0.48			CR 56	
587	142.094 SH / Opt 7 (No Refo, Foam): E270 / arg / lami (DS/DS 090 DS) 3/4" IG											
	0.118	0.345	0.264					ARG90	0.037(#2)	CL	SS-D	G,S
	U-Factor 0.31			SHGC (<1) 0.26				VT (<1) 0.48			CR 56	

**NFRC 100/200/500 Summary Sheet
Windgate/Belmont/Stormgate Single Hung**

ID	Pane Thickness 1	Gap Width 1	Pane Thickness 2	Gap Width 2	Pane Thickness 3	Gap Width 3	Pane Thickness 4	Gap Fill	Low-e (Surface#)	Tint	Spacer	Grid Type
	U-Factor			Solar Heat Gain Coefficient (SHGC) Grids (None / <1 / >=1)				Visible Transmittance (VT) Grids (None / <1 / >=1)			Condensation Resistance	
583	142.094 SH / Opt 7 (No Refo, Foam): E270 / arg / clr / arg / E270 (SS/SS/SS) 3/4" IG (SS-D)											
	0.087	0.266	0.087	0.266	0.087			ARG90	0.037(#2) / 0.037(#5)	CL	SS-D	N,S
	U-Factor 0.23			SHGC (N / <1) 0.25 / 0.23				VT (N / <1) 0.43 / 0.39			CR	67
584	142.094 SH / Opt 7 (No Refo, Foam): E270 / arg / clr / arg / E270 (SS/SS/SS) 3/4" IG (SS-D)											
	0.087	0.266	0.087	0.266	0.087			ARG90	0.037(#2) / 0.037(#5)	CL	SS-D	G,S
	U-Factor 0.24			SHGC (<1) 0.23				VT (<1) 0.39			CR	67
585	142.094 SH / Opt 7 (No Refo, Foam): E366 / air / clr (SS/SS) 3/4" IG											
	0.087	0.563	0.087					AIR	0.022(#2)	CL	SS-D	N,G,S
	U-Factor 0.31			SHGC (N / <1) 0.22 / 0.20				VT (N / <1) 0.51 / 0.46			CR	56
	142.094 SH / Opt 7 (No Refo, Foam): clr / air / E366 (SS/SS) 3/4" IG											
	0.087	0.563	0.087					AIR	0.022(#3)	CL	SS-D	N,G,S
	U-Factor 0.31			SHGC (N / <1) 0.31 / 0.28				VT (N / <1) 0.51 / 0.46			CR	56
586	142.094 SH / Opt 7 (No Refo, Foam): E366 / arg / clr (SS/SS) 3/4" IG											
	0.087	0.563	0.087					ARG90	0.022(#2)	CL	SS-D	N,G,S
	U-Factor 0.28			SHGC (N / <1) 0.22 / 0.20				VT (N / <1) 0.51 / 0.46			CR	60
	142.094 SH / Opt 7 (No Refo, Foam): clr / arg / E366 (SS/SS) 3/4" IG											
	0.087	0.563	0.087					ARG90	0.022(#3)	CL	SS-D	N,G,S
	U-Factor 0.28			SHGC (N / <1) 0.31 / 0.28				VT (N / <1) 0.51 / 0.46			CR	60
587	142.094 SH / Opt 7 (No Refo, Foam): E366 / air / clr (DS/DS) 3/4" IG											
	0.117	0.500	0.118					AIR	0.022(#2)	CL	SS-D	N,G,S
	U-Factor 0.31			SHGC (N / <1) 0.22 / 0.20				VT (N / <1) 0.51 / 0.45			CR	55
	142.094 SH / Opt 7 (No Refo, Foam): clr / air / E366 (DS/DS) 3/4" IG											
	0.118	0.500	0.117					AIR	0.022(#3)	CL	SS-D	N,G,S
	U-Factor 0.31			SHGC (N / <1) 0.30 / 0.28				VT (N / <1) 0.51 / 0.45			CR	55
588	142.094 SH / Opt 7 (No Refo, Foam): E366 / arg / clr (DS/DS) 3/4" IG											
	0.117	0.500	0.118					ARG90	0.022(#2)	CL	SS-D	N,G,S
	U-Factor 0.27			SHGC (N / <1) 0.22 / 0.20				VT (N / <1) 0.51 / 0.45			CR	59
	142.094 SH / Opt 7 (No Refo, Foam): clr / arg / E366 (DS/DS) 3/4" IG											
	0.118	0.500	0.117					ARG90	0.022(#3)	CL	SS-D	N,G,S
	U-Factor 0.27			SHGC (N / <1) 0.31 / 0.28				VT (N / <1) 0.51 / 0.45			CR	59

**NFRC 100/200/500 Summary Sheet
Windgate/Belmont/Stormgate Single Hung**

ID	Pane Thickness 1	Gap Width 1	Pane Thickness 2	Gap Width 2	Pane Thickness 3	Gap Width 3	Pane Thickness 4	Gap Fill	Low-e (Surface#)	Tint	Spacer	Grid Type
	U-Factor			Solar Heat Gain Coefficient (SHGC) Grids (None / <1 / >=1)				Visible Transmittance (VT) Grids (None / <1 / >=1)				
589	142.094 SH / Opt 7 (No Refo, Foam): lami / arg / E366 (DS 090 DS/DS) 3/4" IG											
	0.264	0.345	0.117					ARG90	0.022(#3)	CL	SS-D	N,S
	U-Factor 0.29			SHGC (N / <1) 0.29 / 0.27				VT (N / <1) 0.50 / 0.44		CR 57		
	142.094 SH / Opt 7 (No Refo, Foam): E366 / arg / lami (DS/DS 090 DS) 3/4" IG											
	0.117	0.345	0.264					ARG90	0.022(#2)	CL	SS-D	N,S
	U-Factor 0.29			SHGC (N / <1) 0.22 / 0.20				VT (N / <1) 0.50 / 0.44		CR 57		
590	142.094 SH / Opt 7 (No Refo, Foam): lami / arg / E366 (DS 090 DS/DS) 3/4" IG											
	0.264	0.345	0.117					ARG90	0.022(#3)	CL	SS-D	G,S
	U-Factor 0.31			SHGC (<1) 0.27				VT (<1) 0.44		CR 57		
	142.094 SH / Opt 7 (No Refo, Foam): E366 / arg / lami (DS/DS 090 DS) 3/4" IG											
	0.117	0.345	0.264					ARG90	0.022(#2)	CL	SS-D	G,S
	U-Factor 0.31			SHGC (<1) 0.20				VT (<1) 0.44		CR 57		
591	142.094 SH / Opt 7 (No Refo, Foam): E366 / arg / clr / arg / E366 (SS/SS/SS) 3/4" IG (SS-D)											
	0.087	0.266	0.087	0.266	0.087			ARG90	0.022(#2) / 0.022(#5)	CL	SS-D	N,S
	U-Factor 0.23			SHGC (N / <1) 0.19 / 0.17				VT (N / <1) 0.37 / 0.33		CR 67		
592	142.094 SH / Opt 7 (No Refo, Foam): E366 / arg / clr / arg / E366 (SS/SS/SS) 3/4" IG (SS-D)											
	0.087	0.266	0.087	0.266	0.087			ARG90	0.022(#2) / 0.022(#5)	CL	SS-D	G,S
	U-Factor 0.24			SHGC (<1) 0.17				VT (<1) 0.33		CR 67		
593	142.094 SH / Opt 7 (No Refo, Foam): clr / air / clr (SS/SS) 3/4" IG											
	0.087	0.563	0.087					AIR		CL	TS-D	N,G,S
	U-Factor 0.45			SHGC (N / <1) 0.63 / 0.56				VT (N / <1) 0.65 / 0.58		CR 44		
594	142.094 SH / Opt 7 (No Refo, Foam): clr / air / clr (DS/DS) 3/4" IG											
	0.118	0.500	0.118					AIR		CL	TS-D	N,G,S
	U-Factor 0.45			SHGC (N / <1) 0.61 / 0.55				VT (N / <1) 0.65 / 0.58		CR 43		
595	142.094 SH / Opt 7 (No Refo, Foam): clr / air / clr (5mm/DS) 3/4" IG											
	0.185	0.438	0.118					AIR		CL	TS-D	N,G,S
	U-Factor 0.46			SHGC (N / <1) 0.59 / 0.53				VT (N / <1) 0.64 / 0.57		CR 43		
596	142.094 SH / Opt 7 (No Refo, Foam): clr / air / clr (5mm/DS) 3/4" IG											
	0.185	0.438	0.118					AIR		CL	TS-D	G
	U-Factor 0.46			SHGC (<1) 0.53				VT (<1) 0.57		CR 43		

**NFRC 100/200/500 Summary Sheet
Windgate/Belmont/Stormgate Single Hung**

ID	Pane Thickness 1	Gap Width 1	Pane Thickness 2	Gap Width 2	Pane Thickness 3	Gap Width 3	Pane Thickness 4	Gap Width 4	Gap Fill	Low-e (Surface#)	Tint	Spacer	Grid Type
	U-Factor			Solar Heat Gain Coefficient (SHGC) Grids (None / <1 / >=1)					Visible Transmittance (VT) Grids (None / <1 / >=1)			Condensation Resistance	
597	142.094 SH / Opt 7 (No Refo, Foam): lami / air / clr (DS 090 DS/DS) 3/4" IG												
	0.264	0.345	0.118						AIR		CL	TS-D	N,S
	U-Factor 0.47			SHGC (N / <1) 0.56 / 0.51					VT (N / <1) 0.63 / 0.57			CR 42	
	142.094 SH / Opt 7 (No Refo, Foam): clr / air / lami (DS/DS 090 DS) 3/4" IG												
	0.118	0.345	0.264						AIR		CL	TS-D	N,S
	U-Factor 0.47			SHGC (N / <1) 0.59 / 0.53					VT (N / <1) 0.63 / 0.57			CR 42	
598	142.094 SH / Opt 7 (No Refo, Foam): lami / air / clr (DS 090 DS/DS) 3/4" IG												
	0.264	0.345	0.118						AIR		CL	TS-D	G,S
	U-Factor 0.48			SHGC (<1) 0.51					VT (<1) 0.57			CR 42	
	142.094 SH / Opt 7 (No Refo, Foam): clr / air / lami (DS/DS 090 DS) 3/4" IG												
	0.118	0.345	0.264						AIR		CL	TS-D	G,S
	U-Factor 0.48			SHGC (<1) 0.53					VT (<1) 0.57			CR 42	
599	142.094 SH / Opt 7 (No Refo, Foam): clr / air / clr / air / clr (SS/SS/SS) 3/4" IG (P1-S)												
	0.087	0.250	0.087	0.250	0.087				AIR		CL	TS-D	N,S
	U-Factor 0.38			SHGC (N / <1) 0.57 / 0.51					VT (N / <1) 0.60 / 0.54			CR 52	
600	142.094 SH / Opt 7 (No Refo, Foam): clr / air / clr / air / clr (SS/SS/SS) 3/4" IG (P1-S)												
	0.087	0.250	0.087	0.250	0.087				AIR		CL	TS-D	G,S
	U-Factor 0.39			SHGC (<1) 0.51					VT (<1) 0.54			CR 52	
601	142.094 SH / Opt 7 (No Refo, Foam): 70/36 / air / clr (SS/SS) 3/4" IG												
	0.090	0.563	0.090						AIR	0.036(#2)	CL	TS-D	N,G,S
	U-Factor 0.32			SHGC (N / <1) 0.31 / 0.28					VT (N / <1) 0.55 / 0.49			CR 55	
	142.094 SH / Opt 7 (No Refo, Foam): clr / air / 70/36 (SS/SS) 3/4" IG												
	0.090	0.563	0.090						AIR	0.036(#3)	CL	TS-D	N,G,S
	U-Factor 0.32			SHGC (N / <1) 0.39 / 0.35					VT (N / <1) 0.55 / 0.49			CR 55	
602	142.094 SH / Opt 7 (No Refo, Foam): 70/36 / arg / clr (SS/SS) 3/4" IG												
	0.090	0.563	0.090						ARG90	0.036(#2)	CL	TS-D	N,G,S
	U-Factor 0.28			SHGC (N / <1) 0.31 / 0.28					VT (N / <1) 0.55 / 0.49			CR 58	
	142.094 SH / Opt 7 (No Refo, Foam): clr / arg / 70/36 (SS/SS) 3/4" IG												
	0.090	0.563	0.090						ARG90	0.036(#3)	CL	TS-D	N,G,S
	U-Factor 0.28			SHGC (N / <1) 0.39 / 0.35					VT (N / <1) 0.55 / 0.49			CR 58	

**NFRC 100/200/500 Summary Sheet
Windgate/Belmont/Stormgate Single Hung**

ID	Pane Thickness 1	Gap Width 1	Pane Thickness 2	Gap Width 2	Pane Thickness 3	Gap Width 3	Pane Thickness 4	Gap Fill	Low-e (Surface#)	Tint	Spacer	Grid Type
	U-Factor			Solar Heat Gain Coefficient (SHGC) Grids (None / <1 / >=1)				Visible Transmittance (VT) Grids (None / <1 / >=1)			Condensation Resistance	
603	142.094 SH / Opt 7 (No Refo, Foam): 70/36 / air / clr (DS/DS) 3/4" IG											
	0.117	0.500	0.117					AIR	0.036(#2)	CL	TS-D	N,G,S
	U-Factor 0.32			SHGC (N / <1) 0.31 / 0.28				VT (N / <1) 0.55 / 0.49			CR 53	
	142.094 SH / Opt 7 (No Refo, Foam): clr / air / 70/36 (DS/DS) 3/4" IG											
	0.117	0.500	0.117					AIR	0.036(#3)	CL	TS-D	N,G,S
	U-Factor 0.32			SHGC (N / <1) 0.38 / 0.34				VT (N / <1) 0.55 / 0.49			CR 53	
604	142.094 SH / Opt 7 (No Refo, Foam): 70/36 / arg / clr (DS/DS) 3/4" IG											
	0.117	0.500	0.117					ARG90	0.036(#2)	CL	TS-D	N,G,S
	U-Factor 0.28			SHGC (N / <1) 0.30 / 0.27				VT (N / <1) 0.55 / 0.49			CR 57	
	142.094 SH / Opt 7 (No Refo, Foam): clr / arg / 70/36 (DS/DS) 3/4" IG											
	0.117	0.500	0.117					ARG90	0.036(#3)	CL	TS-D	N,G,S
	U-Factor 0.28			SHGC (N / <1) 0.38 / 0.35				VT (N / <1) 0.55 / 0.49			CR 57	
605	142.094 SH / Opt 7 (No Refo, Foam): lami / arg / 70/36 (DS 090 DS/DS) 3/4" IG											
	0.264	0.345	0.117					ARG90	0.036(#3)	CL	TS-D	N,S
	U-Factor 0.30			SHGC (N / <1) 0.36 / 0.33				VT (N / <1) 0.54 / 0.48			CR 55	
	142.094 SH / Opt 7 (No Refo, Foam): 70/36 / arg / lami (DS/DS 090 DS) 3/4" IG											
	0.117	0.345	0.264					ARG90	0.036(#2)	CL	TS-D	N,S
	U-Factor 0.30			SHGC (N / <1) 0.30 / 0.27				VT (N / <1) 0.54 / 0.48			CR 55	
606	142.094 SH / Opt 7 (No Refo, Foam): lami / arg / 70/36 (DS 090 DS/DS) 3/4" IG											
	0.264	0.345	0.117					ARG90	0.036(#3)	CL	TS-D	G,S
	U-Factor 0.31			SHGC (<1) 0.33				VT (<1) 0.48			CR 55	
	142.094 SH / Opt 7 (No Refo, Foam): 70/36 / arg / lami (DS/DS 090 DS) 3/4" IG											
	0.117	0.345	0.264					ARG90	0.036(#2)	CL	TS-D	G,S
	U-Factor 0.31			SHGC (<1) 0.27				VT (<1) 0.48			CR 55	
607	142.094 SH / Opt 7 (No Refo, Foam): 70/36 / arg / clr / arg / 70/36 (SS/SS/SS) 3/4" IG											
	0.090	0.250	0.090	0.250	0.090			ARG90	0.036(#2) / 0.036(#5)	CL	TS-D	N,S
	U-Factor 0.24			SHGC (N / <1) 0.26 / 0.24				VT (N / <1) 0.43 / 0.39			CR 64	
608	142.094 SH / Opt 7 (No Refo, Foam): 70/36 / arg / clr / arg / 70/36 (SS/SS/SS) 3/4" IG											
	0.090	0.250	0.090	0.250	0.090			ARG90	0.036(#2) / 0.036(#5)	CL	TS-D	G,S
	U-Factor 0.25			SHGC (<1) 0.24				VT (<1) 0.39			CR 64	

**NFRC 100/200/500 Summary Sheet
Windgate/Belmont/Stormgate Single Hung**

ID	Pane Thickness 1	Gap Width 1	Pane Thickness 2	Gap Width 2	Pane Thickness 3	Gap Width 3	Pane Thickness 4	Gap Fill	Low-e (Surface#)	Tint	Spacer	Grid Type
	U-Factor			Solar Heat Gain Coefficient (SHGC) Grids (None / <1 / >=1)				Visible Transmittance (VT) Grids (None / <1 / >=1)			Condensation Resistance	
609	142.094 SH / Opt 7 (No Refo, Foam): 80/70 / air / clr (SS/SS) 3/4" IG											
	0.090	0.563	0.090					AIR	0.095(#2)	CL	TS-D	N,G,S
	U-Factor 0.33			SHGC (N / <1) 0.53 / 0.48				VT (N / <1) 0.64 / 0.57			CR 53	
	142.094 SH / Opt 7 (No Refo, Foam): clr / air / 80/70 (SS/SS) 3/4" IG											
	0.090	0.563	0.090					AIR	0.095(#3)	CL	TS-D	N,G,S
	U-Factor 0.33			SHGC (N / <1) 0.56 / 0.50				VT (N / <1) 0.64 / 0.57			CR 53	
610	142.094 SH / Opt 7 (No Refo, Foam): 80/70 / arg / clr (SS/SS) 3/4" IG											
	0.090	0.563	0.090					ARG90	0.095(#2)	CL	TS-D	N,G,S
	U-Factor 0.30			SHGC (N / <1) 0.53 / 0.48				VT (N / <1) 0.64 / 0.57			CR 57	
	142.094 SH / Opt 7 (No Refo, Foam): clr / arg / 80/70 (SS/SS) 3/4" IG											
	0.090	0.563	0.090					ARG90	0.095(#3)	CL	TS-D	N,G,S
	U-Factor 0.30			SHGC (N / <1) 0.56 / 0.50				VT (N / <1) 0.64 / 0.57			CR 57	
611	142.094 SH / Opt 7 (No Refo, Foam): 80/70 / air / clr (DS/DS) 3/4" IG											
	0.117	0.500	0.117					AIR	0.095(#2)	CL	TS-D	N,G,S
	U-Factor 0.33			SHGC (N / <1) 0.52 / 0.47				VT (N / <1) 0.63 / 0.57			CR 52	
	142.094 SH / Opt 7 (No Refo, Foam): clr / air / 80/70 (DS/DS) 3/4" IG											
	0.117	0.500	0.117					AIR	0.095(#3)	CL	TS-D	N,G,S
	U-Factor 0.33			SHGC (N / <1) 0.55 / 0.50				VT (N / <1) 0.63 / 0.57			CR 52	
612	142.094 SH / Opt 7 (No Refo, Foam): 80/70 / arg / clr (DS/DS) 3/4" IG											
	0.117	0.500	0.117					ARG90	0.095(#2)	CL	TS-D	N,G,S
	U-Factor 0.30			SHGC (N / <1) 0.52 / 0.47				VT (N / <1) 0.63 / 0.57			CR 55	
	142.094 SH / Opt 7 (No Refo, Foam): clr / arg / 80/70 (DS/DS) 3/4" IG											
	0.117	0.500	0.117					ARG90	0.095(#3)	CL	TS-D	N,G,S
	U-Factor 0.30			SHGC (N / <1) 0.55 / 0.50				VT (N / <1) 0.63 / 0.57			CR 55	
613	142.094 SH / Opt 7 (No Refo, Foam): lami / arg / 80/70 (DS 090 DS/DS) 3/4" IG											
	0.264	0.345	0.117					ARG90	0.095(#3)	CL	TS-D	N,S
	U-Factor 0.32			SHGC (N / <1) 0.51 / 0.46				VT (N / <1) 0.62 / 0.56			CR 54	
	142.094 SH / Opt 7 (No Refo, Foam): 80/70 / arg / lami (DS/DS 090 DS) 3/4" IG											
	0.117	0.345	0.264					ARG90	0.095(#2)	CL	TS-D	N,S
	U-Factor 0.32			SHGC (N / <1) 0.51 / 0.46				VT (N / <1) 0.62 / 0.56			CR 54	

**NFRC 100/200/500 Summary Sheet
Windgate/Belmont/Stormgate Single Hung**

ID	Pane Thickness 1	Gap Width 1	Pane Thickness 2	Gap Width 2	Pane Thickness 3	Gap Width 3	Pane Thickness 4	Gap Width 4	Gap Fill	Low-e (Surface#)	Tint	Spacer	Grid Type
	U-Factor			Solar Heat Gain Coefficient (SHGC) Grids (None / <1 / >=1)					Visible Transmittance (VT) Grids (None / <1 / >=1)			Condensation Resistance	
614	142.094 SH / Opt 7 (No Refo, Foam): lami / arg / 80/70 (DS 090 DS/DS) 3/4" IG												
	0.264	0.345	0.117						ARG90	0.095(#3)	CL	TS-D	G,S
	U-Factor 0.33			SHGC (<1) 0.46					VT (<1) 0.56			CR	54
	142.094 SH / Opt 7 (No Refo, Foam): 80/70 / arg / lami (DS/DS 090 DS) 3/4" IG												
	0.117	0.345	0.264						ARG90	0.095(#2)	CL	TS-D	G,S
	U-Factor 0.33			SHGC (<1) 0.46					VT (<1) 0.56			CR	54
615	142.094 SH / Opt 7 (No Refo, Foam): 80/70 / arg / clr / arg / 80/70 (SS/SS/SS) 3/4" IG												
	0.090	0.250	0.090	0.250	0.090				ARG90	0.095(#2) / 0.095(#5)	CL	TS-D	N,S
	U-Factor 0.25			SHGC (N / <1) 0.47 / 0.42					VT (N / <1) 0.58 / 0.51			CR	63
616	142.094 SH / Opt 7 (No Refo, Foam): 80/70 / arg / clr / arg / 80/70 (SS/SS/SS) 3/4" IG												
	0.090	0.250	0.090	0.250	0.090				ARG90	0.095(#2) / 0.095(#5)	CL	TS-D	G,S
	U-Factor 0.26			SHGC (<1) 0.42					VT (<1) 0.51			CR	63
617	142.094 SH / Opt 8 (ALU Refo LR/KR/BR, Foam): clr / air / clr (SS/SS) 3/4" IG												
	0.087	0.563	0.087						AIR		CL	P1-S	N,G,S
	U-Factor 0.45			SHGC (N / <1) 0.63 / 0.56					VT (N / <1) 0.65 / 0.58			CR	45
618	142.094 SH / Opt 8 (ALU Refo LR/KR/BR, Foam): clr / air / clr (DS/DS) 3/4" IG												
	0.118	0.500	0.118						AIR		CL	P1-S	N,G,S
	U-Factor 0.45			SHGC (N / <1) 0.61 / 0.55					VT (N / <1) 0.65 / 0.58			CR	45
619	142.094 SH / Opt 8 (ALU Refo LR/KR/BR, Foam): clr / air / clr (5mm/DS) 3/4" IG												
	0.185	0.438	0.118						AIR		CL	P1-S	N,G,S
	U-Factor 0.46			SHGC (N / <1) 0.59 / 0.53					VT (N / <1) 0.64 / 0.57			CR	44
620	142.094 SH / Opt 8 (ALU Refo LR/KR/BR, Foam): clr / air / clr (5mm/DS) 3/4" IG												
	0.185	0.438	0.118						AIR		CL	P1-S	G
	U-Factor 0.46			SHGC (<1) 0.53					VT (<1) 0.57			CR	44
621	142.094 SH / Opt 8 (ALU Refo LR/KR/BR, Foam): lami / air / clr (DS 090 DS/DS) 3/4" IG												
	0.264	0.345	0.118						AIR		CL	P1-S	N,S
	U-Factor 0.47			SHGC (N / <1) 0.56 / 0.51					VT (N / <1) 0.63 / 0.57			CR	44
	142.094 SH / Opt 8 (ALU Refo LR/KR/BR, Foam): clr / air / lami (DS/DS 090 DS) 3/4" IG												
	0.118	0.345	0.264						AIR		CL	P1-S	N,S
	U-Factor 0.47			SHGC (N / <1) 0.59 / 0.53					VT (N / <1) 0.63 / 0.57			CR	44

NFRC 100/200/500 Summary Sheet Windgate/Belmont/Stormgate Single Hung

ID	Pane Thickness 1	Gap Width 1	Pane Thickness 2	Gap Width 2	Pane Thickness 3	Gap Width 3	Pane Thickness 4	Gap Width 4	Gap Fill	Low-e (Surface#)	Tint	Spacer	Grid Type
	U-Factor			Solar Heat Gain Coefficient (SHGC) Grids (None / <1 / >=1)				Visible Transmittance (VT) Grids (None / <1 / >=1)			Condensation Resistance		
622	142.094 SH / Opt 8 (ALU Refo LR/KR/BR, Foam): lami / air / clr (DS 090 DS/DS) 3/4" IG												
	0.264	0.345	0.118						AIR		CL	P1-S	G,S
	U-Factor 0.48			SHGC (<1) 0.51				VT (<1) 0.57			CR 44		
	142.094 SH / Opt 8 (ALU Refo LR/KR/BR, Foam): clr / air / lami (DS/DS 090 DS) 3/4" IG												
	0.118	0.345	0.264						AIR		CL	P1-S	G,S
	U-Factor 0.48			SHGC (<1) 0.53				VT (<1) 0.57			CR 44		
623	142.094 SH / Opt 8 (ALU Refo LR/KR/BR, Foam): clr / air / clr / air / clr (SS/SS/SS) 3/4" IG (P1-S)												
	0.087	0.250	0.087	0.250	0.087				AIR		CL	P1-S	N,S
	U-Factor 0.37			SHGC (N / <1) 0.57 / 0.51				VT (N / <1) 0.60 / 0.54			CR 54		
624	142.094 SH / Opt 8 (ALU Refo LR/KR/BR, Foam): clr / air / clr / air / clr (SS/SS/SS) 3/4" IG (P1-S)												
	0.087	0.250	0.087	0.250	0.087				AIR		CL	P1-S	G,S
	U-Factor 0.38			SHGC (<1) 0.51				VT (<1) 0.54			CR 54		
625	142.094 SH / Opt 8 (ALU Refo LR/KR/BR, Foam): E270 / air / clr (SS/SS) 3/4" IG												
	0.087	0.563	0.087						AIR	0.037(#2)	CL	P1-S	N,G,S
	U-Factor 0.31			SHGC (N / <1) 0.30 / 0.27				VT (N / <1) 0.55 / 0.49			CR 57		
	142.094 SH / Opt 8 (ALU Refo LR/KR/BR, Foam): clr / air / E270 (SS/SS) 3/4" IG												
	0.087	0.563	0.087						AIR	0.037(#3)	CL	P1-S	N,G,S
	U-Factor 0.31			SHGC (N / <1) 0.37 / 0.33				VT (N / <1) 0.55 / 0.49			CR 57		
626	142.094 SH / Opt 8 (ALU Refo LR/KR/BR, Foam): E270 / arg / clr (SS/SS) 3/4" IG												
	0.087	0.563	0.087						ARG90	0.037(#2)	CL	P1-S	N,G,S
	U-Factor 0.28			SHGC (N / <1) 0.29 / 0.26				VT (N / <1) 0.55 / 0.49			CR 61		
	142.094 SH / Opt 8 (ALU Refo LR/KR/BR, Foam): clr / arg / E270 (SS/SS) 3/4" IG												
	0.087	0.563	0.087						ARG90	0.037(#3)	CL	P1-S	N,G,S
	U-Factor 0.28			SHGC (N / <1) 0.37 / 0.33				VT (N / <1) 0.55 / 0.49			CR 61		
627	142.094 SH / Opt 8 (ALU Refo LR/KR/BR, Foam): E270 / air / clr (DS/DS) 3/4" IG												
	0.118	0.500	0.118						AIR	0.037(#2)	CL	P1-S	N,G,S
	U-Factor 0.31			SHGC (N / <1) 0.30 / 0.27				VT (N / <1) 0.55 / 0.49			CR 57		
	142.094 SH / Opt 8 (ALU Refo LR/KR/BR, Foam): clr / air / E270 (DS/DS) 3/4" IG												
	0.118	0.500	0.118						AIR	0.037(#3)	CL	P1-S	N,G,S
	U-Factor 0.31			SHGC (N / <1) 0.36 / 0.33				VT (N / <1) 0.55 / 0.49			CR 57		

**NFRC 100/200/500 Summary Sheet
Windgate/Belmont/Stormgate Single Hung**

ID	Pane Thickness 1	Gap Width 1	Pane Thickness 2	Gap Width 2	Pane Thickness 3	Gap Width 3	Pane Thickness 4	Gap Fill	Low-e (Surface#)	Tint	Spacer	Grid Type
	U-Factor			Solar Heat Gain Coefficient (SHGC) Grids (None / <1 / >=1)				Visible Transmittance (VT) Grids (None / <1 / >=1)			Condensation Resistance	
628	142.094 SH / Opt 8 (ALU Refo LR/KR/BR, Foam): E270 / arg / clr (DS/DS) 3/4" IG											
	0.118	0.500	0.118					ARG90	0.037(#2)	CL	P1-S	N,G,S
	U-Factor 0.27			SHGC (N / <1) 0.29 / 0.26				VT (N / <1) 0.55 / 0.49			CR 60	
	142.094 SH / Opt 8 (ALU Refo LR/KR/BR, Foam): clr / arg / E270 (DS/DS) 3/4" IG											
	0.118	0.500	0.118					ARG90	0.037(#3)	CL	P1-S	N,G,S
	U-Factor 0.27			SHGC (N / <1) 0.36 / 0.33				VT (N / <1) 0.55 / 0.49			CR 60	
629	142.094 SH / Opt 8 (ALU Refo LR/KR/BR, Foam): lami / arg / E270 (DS 090 DS/DS) 3/4" IG											
	0.264	0.345	0.118					ARG90	0.037(#3)	CL	P1-S	N,S
	U-Factor 0.29			SHGC (N / <1) 0.35 / 0.31				VT (N / <1) 0.54 / 0.48			CR 58	
	142.094 SH / Opt 8 (ALU Refo LR/KR/BR, Foam): E270 / arg / lami (DS/DS 090 DS) 3/4" IG											
	0.118	0.345	0.264					ARG90	0.037(#2)	CL	P1-S	N,S
	U-Factor 0.29			SHGC (N / <1) 0.29 / 0.26				VT (N / <1) 0.54 / 0.48			CR 58	
630	142.094 SH / Opt 8 (ALU Refo LR/KR/BR, Foam): lami / arg / E270 (DS 090 DS/DS) 3/4" IG											
	0.264	0.345	0.118					ARG90	0.037(#3)	CL	P1-S	G,S
	U-Factor 0.31			SHGC (<1) 0.31				VT (<1) 0.48			CR 58	
	142.094 SH / Opt 8 (ALU Refo LR/KR/BR, Foam): E270 / arg / lami (DS/DS 090 DS) 3/4" IG											
	0.118	0.345	0.264					ARG90	0.037(#2)	CL	P1-S	G,S
	U-Factor 0.31			SHGC (<1) 0.26				VT (<1) 0.48			CR 58	
631	142.094 SH / Opt 8 (ALU Refo LR/KR/BR, Foam): E270 / arg / clr / arg / E270 (SS/SS/SS) 3/4" IG (P1-S)											
	0.087	0.250	0.087	0.250	0.087			ARG90	0.037(#2) / 0.037(#5)	CL	P1-S	N,S
	U-Factor 0.24			SHGC (N / <1) 0.25 / 0.23				VT (N / <1) 0.43 / 0.39			CR 68	
632	142.094 SH / Opt 8 (ALU Refo LR/KR/BR, Foam): E270 / arg / clr / arg / E270 (SS/SS/SS) 3/4" IG (P1-S)											
	0.087	0.250	0.087	0.250	0.087			ARG90	0.037(#2) / 0.037(#5)	CL	P1-S	G,S
	U-Factor 0.24			SHGC (<1) 0.23				VT (<1) 0.39			CR 68	
633	142.094 SH / Opt 8 (ALU Refo LR/KR/BR, Foam): E366 / air / clr (SS/SS) 3/4" IG											
	0.087	0.563	0.087					AIR	0.022(#2)	CL	P1-S	N,G,S
	U-Factor 0.31			SHGC (N / <1) 0.22 / 0.20				VT (N / <1) 0.51 / 0.46			CR 58	
	142.094 SH / Opt 8 (ALU Refo LR/KR/BR, Foam): clr / air / E366 (SS/SS) 3/4" IG											
	0.087	0.563	0.087					AIR	0.022(#3)	CL	P1-S	N,G,S
	U-Factor 0.31			SHGC (N / <1) 0.31 / 0.28				VT (N / <1) 0.51 / 0.46			CR 58	

**NFRC 100/200/500 Summary Sheet
Windgate/Belmont/Stormgate Single Hung**

ID	Pane Thickness 1	Gap Width 1	Pane Thickness 2	Gap Width 2	Pane Thickness 3	Gap Width 3	Pane Thickness 4	Gap Fill	Low-e (Surface#)	Tint	Spacer	Grid Type
	U-Factor			Solar Heat Gain Coefficient (SHGC) Grids (None / <1 / >=1)				Visible Transmittance (VT) Grids (None / <1 / >=1)			Condensation Resistance	
634	142.094 SH / Opt 8 (ALU Refo LR/KR/BR, Foam): E366 / arg / clr (SS/SS) 3/4" IG											
	0.087	0.563	0.087					ARG90	0.022(#2)	CL	P1-S	N,G,S
	U-Factor 0.27			SHGC (N / <1) 0.22 / 0.20				VT (N / <1) 0.51 / 0.46			CR	62
	142.094 SH / Opt 8 (ALU Refo LR/KR/BR, Foam): clr / arg / E366 (SS/SS) 3/4" IG											
	0.087	0.563	0.087					ARG90	0.022(#3)	CL	P1-S	N,G,S
	U-Factor 0.27			SHGC (N / <1) 0.31 / 0.28				VT (N / <1) 0.51 / 0.46			CR	62
635	142.094 SH / Opt 8 (ALU Refo LR/KR/BR, Foam): E366 / air / clr (DS/DS) 3/4" IG											
	0.117	0.500	0.118					AIR	0.022(#2)	CL	P1-S	N,G,S
	U-Factor 0.30			SHGC (N / <1) 0.22 / 0.20				VT (N / <1) 0.51 / 0.45			CR	57
	142.094 SH / Opt 8 (ALU Refo LR/KR/BR, Foam): clr / air / E366 (DS/DS) 3/4" IG											
	0.118	0.500	0.117					AIR	0.022(#3)	CL	P1-S	N,G,S
	U-Factor 0.30			SHGC (N / <1) 0.30 / 0.28				VT (N / <1) 0.51 / 0.45			CR	57
636	142.094 SH / Opt 8 (ALU Refo LR/KR/BR, Foam): E366 / arg / clr (DS/DS) 3/4" IG											
	0.117	0.500	0.118					ARG90	0.022(#2)	CL	P1-S	N,G,S
	U-Factor 0.27			SHGC (N / <1) 0.22 / 0.20				VT (N / <1) 0.51 / 0.45			CR	61
	142.094 SH / Opt 8 (ALU Refo LR/KR/BR, Foam): clr / arg / E366 (DS/DS) 3/4" IG											
	0.118	0.500	0.117					ARG90	0.022(#3)	CL	P1-S	N,G,S
	U-Factor 0.27			SHGC (N / <1) 0.31 / 0.28				VT (N / <1) 0.51 / 0.45			CR	61
637	142.094 SH / Opt 8 (ALU Refo LR/KR/BR, Foam): lami / arg / E366 (DS 090 DS/DS) 3/4" IG											
	0.264	0.345	0.117					ARG90	0.022(#3)	CL	P1-S	N,S
	U-Factor 0.29			SHGC (N / <1) 0.29 / 0.27				VT (N / <1) 0.50 / 0.44			CR	59
	142.094 SH / Opt 8 (ALU Refo LR/KR/BR, Foam): E366 / arg / lami (DS/DS 090 DS) 3/4" IG											
	0.117	0.345	0.264					ARG90	0.022(#2)	CL	P1-S	N,S
	U-Factor 0.29			SHGC (N / <1) 0.22 / 0.20				VT (N / <1) 0.50 / 0.44			CR	59
638	142.094 SH / Opt 8 (ALU Refo LR/KR/BR, Foam): lami / arg / E366 (DS 090 DS/DS) 3/4" IG											
	0.264	0.345	0.117					ARG90	0.022(#3)	CL	P1-S	G,S
	U-Factor 0.30			SHGC (<1) 0.27				VT (<1) 0.44			CR	59
	142.094 SH / Opt 8 (ALU Refo LR/KR/BR, Foam): E366 / arg / lami (DS/DS 090 DS) 3/4" IG											
	0.117	0.345	0.264					ARG90	0.022(#2)	CL	P1-S	G,S
	U-Factor 0.30			SHGC (<1) 0.20				VT (<1) 0.44			CR	59

**NFRC 100/200/500 Summary Sheet
Windgate/Belmont/Stormgate Single Hung**

ID	Pane Thickness 1	Gap Width 1	Pane Thickness 2	Gap Width 2	Pane Thickness 3	Gap Width 3	Pane Thickness 4	Gap Fill	Low-e (Surface#)	Tint	Spacer	Grid Type
	U-Factor			Solar Heat Gain Coefficient (SHGC) Grids (None / <1 / >=1)				Visible Transmittance (VT) Grids (None / <1 / >=1)			Condensation Resistance	
639	142.094 SH / Opt 8 (ALU Refo LR/KR/BR, Foam): E366 / arg / clr / arg / E366 (SS/SS/SS) 3/4" IG (P1-S)											
	0.087	0.250	0.087	0.250	0.087			ARG90	0.022(#2) / 0.022(#5)	CL	P1-S	N,S
	U-Factor 0.23			SHGC (N / <1) 0.19 / 0.17				VT (N / <1) 0.37 / 0.33			CR 69	
640	142.094 SH / Opt 8 (ALU Refo LR/KR/BR, Foam): E366 / arg / clr / arg / E366 (SS/SS/SS) 3/4" IG (P1-S)											
	0.087	0.250	0.087	0.250	0.087			ARG90	0.022(#2) / 0.022(#5)	CL	P1-S	G,S
	U-Factor 0.24			SHGC (<1) 0.17				VT (<1) 0.33			CR 69	
641	142.094 SH / Opt 8 (ALU Refo LR/KR/BR, Foam): 70/36 / air / clr (SS/SS) 3/4" IG											
	0.090	0.563	0.090					AIR	0.036(#2)	CL	P1-S	N,G,S
	U-Factor 0.31			SHGC (N / <1) 0.31 / 0.28				VT (N / <1) 0.55 / 0.49			CR 57	
	142.094 SH / Opt 8 (ALU Refo LR/KR/BR, Foam): clr / air / 70/36 (SS/SS) 3/4" IG											
	0.090	0.563	0.090					AIR	0.036(#3)	CL	P1-S	N,G,S
	U-Factor 0.31			SHGC (N / <1) 0.39 / 0.35				VT (N / <1) 0.55 / 0.49			CR 57	
642	142.094 SH / Opt 8 (ALU Refo LR/KR/BR, Foam): 70/36 / arg / clr (SS/SS) 3/4" IG											
	0.090	0.563	0.090					ARG90	0.036(#2)	CL	P1-S	N,G,S
	U-Factor 0.28			SHGC (N / <1) 0.31 / 0.28				VT (N / <1) 0.55 / 0.49			CR 61	
	142.094 SH / Opt 8 (ALU Refo LR/KR/BR, Foam): clr / arg / 70/36 (SS/SS) 3/4" IG											
	0.090	0.563	0.090					ARG90	0.036(#3)	CL	P1-S	N,G,S
	U-Factor 0.28			SHGC (N / <1) 0.39 / 0.35				VT (N / <1) 0.55 / 0.49			CR 61	
643	142.094 SH / Opt 8 (ALU Refo LR/KR/BR, Foam): 70/36 / air / clr (DS/DS) 3/4" IG											
	0.117	0.500	0.117					AIR	0.036(#2)	CL	P1-S	N,G,S
	U-Factor 0.31			SHGC (N / <1) 0.31 / 0.28				VT (N / <1) 0.55 / 0.49			CR 57	
	142.094 SH / Opt 8 (ALU Refo LR/KR/BR, Foam): clr / air / 70/36 (DS/DS) 3/4" IG											
	0.117	0.500	0.117					AIR	0.036(#3)	CL	P1-S	N,G,S
	U-Factor 0.31			SHGC (N / <1) 0.38 / 0.34				VT (N / <1) 0.55 / 0.49			CR 57	
644	142.094 SH / Opt 8 (ALU Refo LR/KR/BR, Foam): 70/36 / arg / clr (DS/DS) 3/4" IG											
	0.117	0.500	0.117					ARG90	0.036(#2)	CL	P1-S	N,G,S
	U-Factor 0.27			SHGC (N / <1) 0.30 / 0.27				VT (N / <1) 0.55 / 0.49			CR 60	
	142.094 SH / Opt 8 (ALU Refo LR/KR/BR, Foam): clr / arg / 70/36 (DS/DS) 3/4" IG											
	0.117	0.500	0.117					ARG90	0.036(#3)	CL	P1-S	N,G,S
	U-Factor 0.27			SHGC (N / <1) 0.38 / 0.35				VT (N / <1) 0.55 / 0.49			CR 60	

NFRC 100/200/500 Summary Sheet Windgate/Belmont/Stormgate Single Hung

ID	Pane Thickness 1	Gap Width 1	Pane Thickness 2	Gap Width 2	Pane Thickness 3	Gap Width 3	Pane Thickness 4	Gap Width 4	Gap Fill	Low-e (Surface#)	Tint	Spacer	Grid Type
	U-Factor			Solar Heat Gain Coefficient (SHGC) Grids (None / <1 / >=1)					Visible Transmittance (VT) Grids (None / <1 / >=1)			Condensation Resistance	
645	142.094 SH / Opt 8 (ALU Refo LR/KR/BR, Foam): lami / arg / 70/36 (DS 090 DS/DS) 3/4" IG												
	0.264	0.345	0.117						ARG90	0.036(#3)	CL	P1-S	N,S
	U-Factor 0.29			SHGC (N / <1) 0.36 / 0.33					VT (N / <1) 0.54 / 0.48			CR	58
	142.094 SH / Opt 8 (ALU Refo LR/KR/BR, Foam): 70/36 / arg / lami (DS/DS 090 DS) 3/4" IG												
	0.117	0.345	0.264						ARG90	0.036(#2)	CL	P1-S	N,S
	U-Factor 0.29			SHGC (N / <1) 0.30 / 0.27					VT (N / <1) 0.54 / 0.48			CR	58
646	142.094 SH / Opt 8 (ALU Refo LR/KR/BR, Foam): lami / arg / 70/36 (DS 090 DS/DS) 3/4" IG												
	0.264	0.345	0.117						ARG90	0.036(#3)	CL	P1-S	G,S
	U-Factor 0.31			SHGC (<1) 0.33					VT (<1) 0.48			CR	58
	142.094 SH / Opt 8 (ALU Refo LR/KR/BR, Foam): 70/36 / arg / lami (DS/DS 090 DS) 3/4" IG												
	0.117	0.345	0.264						ARG90	0.036(#2)	CL	P1-S	G,S
	U-Factor 0.31			SHGC (<1) 0.27					VT (<1) 0.48			CR	58
647	142.094 SH / Opt 8 (ALU Refo LR/KR/BR, Foam): 70/36 / arg / clr / arg / 70/36 (SS/SS/SS) 3/4" IG												
	0.090	0.250	0.090	0.250	0.090				ARG90	0.036(#2) / 0.036(#5)	CL	P1-S	N,S
	U-Factor 0.23			SHGC (N / <1) 0.26 / 0.24					VT (N / <1) 0.43 / 0.39			CR	68
648	142.094 SH / Opt 8 (ALU Refo LR/KR/BR, Foam): 70/36 / arg / clr / arg / 70/36 (SS/SS/SS) 3/4" IG												
	0.090	0.250	0.090	0.250	0.090				ARG90	0.036(#2) / 0.036(#5)	CL	P1-S	G,S
	U-Factor 0.24			SHGC (<1) 0.24					VT (<1) 0.39			CR	68
649	142.094 SH / Opt 8 (ALU Refo LR/KR/BR, Foam): 80/70 / air / clr (SS/SS) 3/4" IG												
	0.090	0.563	0.090						AIR	0.095(#2)	CL	P1-S	N,G,S
	U-Factor 0.33			SHGC (N / <1) 0.53 / 0.48					VT (N / <1) 0.64 / 0.57			CR	56
	142.094 SH / Opt 8 (ALU Refo LR/KR/BR, Foam): clr / air / 80/70 (SS/SS) 3/4" IG												
	0.090	0.563	0.090						AIR	0.095(#3)	CL	P1-S	N,G,S
	U-Factor 0.33			SHGC (N / <1) 0.56 / 0.50					VT (N / <1) 0.64 / 0.57			CR	56
650	142.094 SH / Opt 8 (ALU Refo LR/KR/BR, Foam): 80/70 / arg / clr (SS/SS) 3/4" IG												
	0.090	0.563	0.090						ARG90	0.095(#2)	CL	P1-S	N,G,S
	U-Factor 0.29			SHGC (N / <1) 0.53 / 0.48					VT (N / <1) 0.64 / 0.57			CR	60
	142.094 SH / Opt 8 (ALU Refo LR/KR/BR, Foam): clr / arg / 80/70 (SS/SS) 3/4" IG												
	0.090	0.563	0.090						ARG90	0.095(#3)	CL	P1-S	N,G,S
	U-Factor 0.29			SHGC (N / <1) 0.56 / 0.50					VT (N / <1) 0.64 / 0.57			CR	60

**NFRC 100/200/500 Summary Sheet
 Windgate/Belmont/Stormgate Single Hung**

ID	Pane Thickness 1	Gap Width 1	Pane Thickness 2	Gap Width 2	Pane Thickness 3	Gap Width 3	Pane Thickness 4	Gap Fill	Low-e (Surface#)	Tint	Spacer	Grid Type
	U-Factor			Solar Heat Gain Coefficient (SHGC) Grids (None / <1 / >=1)				Visible Transmittance (VT) Grids (None / <1 / >=1)			Condensation Resistance	
651	142.094 SH / Opt 8 (ALU Refo LR/KR/BR, Foam): 80/70 / air / clr (DS/DS) 3/4" IG											
	0.117	0.500	0.117					AIR	0.095(#2)	CL	P1-S	N,G,S
	U-Factor 0.32			SHGC (N / <1) 0.52 / 0.47				VT (N / <1) 0.63 / 0.57			CR 55	
652	142.094 SH / Opt 8 (ALU Refo LR/KR/BR, Foam): clr / air / 80/70 (DS/DS) 3/4" IG											
	0.117	0.500	0.117					AIR	0.095(#3)	CL	P1-S	N,G,S
	U-Factor 0.32			SHGC (N / <1) 0.55 / 0.50				VT (N / <1) 0.63 / 0.57			CR 55	
653	142.094 SH / Opt 8 (ALU Refo LR/KR/BR, Foam): 80/70 / arg / clr (DS/DS) 3/4" IG											
	0.117	0.500	0.117					ARG90	0.095(#2)	CL	P1-S	N,G,S
	U-Factor 0.29			SHGC (N / <1) 0.52 / 0.47				VT (N / <1) 0.63 / 0.57			CR 59	
654	142.094 SH / Opt 8 (ALU Refo LR/KR/BR, Foam): clr / arg / 80/70 (DS/DS) 3/4" IG											
	0.117	0.500	0.117					ARG90	0.095(#3)	CL	P1-S	N,G,S
	U-Factor 0.29			SHGC (N / <1) 0.55 / 0.50				VT (N / <1) 0.63 / 0.57			CR 59	
655	142.094 SH / Opt 8 (ALU Refo LR/KR/BR, Foam): lami / arg / 80/70 (DS 090 DS/DS) 3/4" IG											
	0.264	0.345	0.117					ARG90	0.095(#3)	CL	P1-S	N,S
	U-Factor 0.31			SHGC (N / <1) 0.51 / 0.46				VT (N / <1) 0.62 / 0.56			CR 57	
656	142.094 SH / Opt 8 (ALU Refo LR/KR/BR, Foam): 80/70 / arg / lami (DS/DS 090 DS) 3/4" IG											
	0.117	0.345	0.264					ARG90	0.095(#2)	CL	P1-S	N,S
	U-Factor 0.31			SHGC (N / <1) 0.51 / 0.46				VT (N / <1) 0.62 / 0.56			CR 57	
657	142.094 SH / Opt 8 (ALU Refo LR/KR/BR, Foam): lami / arg / 80/70 (DS 090 DS/DS) 3/4" IG											
	0.264	0.345	0.117					ARG90	0.095(#3)	CL	P1-S	G,S
	U-Factor 0.32			SHGC (<1) 0.46				VT (<1) 0.56			CR 57	
658	142.094 SH / Opt 8 (ALU Refo LR/KR/BR, Foam): 80/70 / arg / lami (DS/DS 090 DS) 3/4" IG											
	0.117	0.345	0.264					ARG90	0.095(#2)	CL	P1-S	G,S
	U-Factor 0.32			SHGC (<1) 0.46				VT (<1) 0.56			CR 57	
659	142.094 SH / Opt 8 (ALU Refo LR/KR/BR, Foam): 80/70 / arg / clr / arg / 80/70 (SS/SS/SS) 3/4" IG											
	0.090	0.250	0.090	0.250	0.090			ARG90	0.095(#2) / 0.095(#5)	CL	P1-S	N,S
	U-Factor 0.25			SHGC (N / <1) 0.47 / 0.42				VT (N / <1) 0.58 / 0.51			CR 67	
660	142.094 SH / Opt 8 (ALU Refo LR/KR/BR, Foam): 80/70 / arg / clr / arg / 80/70 (SS/SS/SS) 3/4" IG											
	0.090	0.250	0.090	0.250	0.090			ARG90	0.095(#2) / 0.095(#5)	CL	P1-S	G,S
	U-Factor 0.25			SHGC (<1) 0.42				VT (<1) 0.51			CR 67	

**NFRC 100/200/500 Summary Sheet
 Windgate/Belmont/Stormgate Single Hung**

ID	Pane Thickness 1	Gap Width 1	Pane Thickness 2	Gap Width 2	Pane Thickness 3	Gap Width 3	Pane Thickness 4	Gap Fill	Low-e (Surface#)	Tint	Spacer	Grid Type
	U-Factor			Solar Heat Gain Coefficient (SHGC) Grids (None / <1 / >=1)				Visible Transmittance (VT) Grids (None / <1 / >=1)			Condensation Resistance	
657	142.094 SH / Opt 8 (ALU Refo LR/KR/BR, Foam): clr / air / clr (SS/SS) 3/4" IG											
	0.087	0.563	0.087					AIR		CL	SS-D	N,G,S
	U-Factor 0.46			SHGC (N / <1) 0.63 / 0.56				VT (N / <1) 0.65 / 0.58			CR 44	
658	142.094 SH / Opt 8 (ALU Refo LR/KR/BR, Foam): clr / air / clr (DS/DS) 3/4" IG											
	0.118	0.500	0.118					AIR		CL	SS-D	N,G,S
	U-Factor 0.46			SHGC (N / <1) 0.61 / 0.55				VT (N / <1) 0.65 / 0.58			CR 44	
659	142.094 SH / Opt 8 (ALU Refo LR/KR/BR, Foam): clr / air / clr (5mm/DS) 3/4" IG											
	0.185	0.438	0.118					AIR		CL	SS-D	N,G,S
	U-Factor 0.46			SHGC (N / <1) 0.59 / 0.53				VT (N / <1) 0.64 / 0.57			CR 43	
660	142.094 SH / Opt 8 (ALU Refo LR/KR/BR, Foam): clr / air / clr (5mm/DS) 3/4" IG											
	0.185	0.438	0.118					AIR		CL	SS-D	G
	U-Factor 0.47			SHGC (<1) 0.53				VT (<1) 0.57			CR 43	
661	142.094 SH / Opt 8 (ALU Refo LR/KR/BR, Foam): lami / air / clr (DS 090 DS/DS) 3/4" IG											
	0.264	0.345	0.118					AIR		CL	SS-D	N,S
	U-Factor 0.48			SHGC (N / <1) 0.56 / 0.51				VT (N / <1) 0.63 / 0.57			CR 42	
	142.094 SH / Opt 8 (ALU Refo LR/KR/BR, Foam): clr / air / lami (DS/DS 090 DS) 3/4" IG											
	0.118	0.345	0.264					AIR		CL	SS-D	N,S
	U-Factor 0.48			SHGC (N / <1) 0.59 / 0.53				VT (N / <1) 0.63 / 0.57			CR 42	
662	142.094 SH / Opt 8 (ALU Refo LR/KR/BR, Foam): lami / air / clr (DS 090 DS/DS) 3/4" IG											
	0.264	0.345	0.118					AIR		CL	SS-D	G,S
	U-Factor 0.48			SHGC (<1) 0.51				VT (<1) 0.57			CR 42	
	142.094 SH / Opt 8 (ALU Refo LR/KR/BR, Foam): clr / air / lami (DS/DS 090 DS) 3/4" IG											
	0.118	0.345	0.264					AIR		CL	SS-D	G,S
	U-Factor 0.48			SHGC (<1) 0.53				VT (<1) 0.57			CR 42	
663	142.094 SH / Opt 8 (ALU Refo LR/KR/BR, Foam): clr / air / clr / air / clr (SS/SS/SS) 3/4" IG (P1-S)											
	0.087	0.250	0.087	0.250	0.087			AIR		CL	SS-D	N,S
	U-Factor 0.38			SHGC (N / <1) 0.57 / 0.51				VT (N / <1) 0.60 / 0.54			CR 53	
664	142.094 SH / Opt 8 (ALU Refo LR/KR/BR, Foam): clr / air / clr / air / clr (SS/SS/SS) 3/4" IG (P1-S)											
	0.087	0.250	0.087	0.250	0.087			AIR		CL	SS-D	G,S
	U-Factor 0.39			SHGC (<1) 0.51				VT (<1) 0.54			CR 53	

NFRC 100/200/500 Summary Sheet Windgate/Belmont/Stormgate Single Hung

ID	Pane Thickness 1	Gap Width 1	Pane Thickness 2	Gap Width 2	Pane Thickness 3	Gap Width 3	Pane Thickness 4	Gap Fill	Low-e (Surface#)	Tint	Spacer	Grid Type
	U-Factor			Solar Heat Gain Coefficient (SHGC) Grids (None / <1 / >=1)				Visible Transmittance (VT) Grids (None / <1 / >=1)			Condensation Resistance	
665	142.094 SH / Opt 8 (ALU Refo LR/KR/BR, Foam): E270 / air / clr (SS/SS) 3/4" IG											
	0.087	0.563	0.087					AIR	0.037(#2)	CL	SS-D	N,G,S
	U-Factor 0.32			SHGC (N / <1) 0.30 / 0.27				VT (N / <1) 0.55 / 0.49			CR 55	
666	142.094 SH / Opt 8 (ALU Refo LR/KR/BR, Foam): clr / air / E270 (SS/SS) 3/4" IG											
	0.087	0.563	0.087					AIR	0.037(#3)	CL	SS-D	N,G,S
	U-Factor 0.32			SHGC (N / <1) 0.37 / 0.33				VT (N / <1) 0.55 / 0.49			CR 55	
667	142.094 SH / Opt 8 (ALU Refo LR/KR/BR, Foam): E270 / arg / clr (SS/SS) 3/4" IG											
	0.087	0.563	0.087					ARG90	0.037(#2)	CL	SS-D	N,G,S
	U-Factor 0.29			SHGC (N / <1) 0.29 / 0.26				VT (N / <1) 0.55 / 0.49			CR 59	
668	142.094 SH / Opt 8 (ALU Refo LR/KR/BR, Foam): clr / arg / E270 (SS/SS) 3/4" IG											
	0.087	0.563	0.087					ARG90	0.037(#3)	CL	SS-D	N,G,S
	U-Factor 0.29			SHGC (N / <1) 0.37 / 0.33				VT (N / <1) 0.55 / 0.49			CR 59	
669	142.094 SH / Opt 8 (ALU Refo LR/KR/BR, Foam): E270 / air / clr (DS/DS) 3/4" IG											
	0.118	0.500	0.118					AIR	0.037(#2)	CL	SS-D	N,G,S
	U-Factor 0.32			SHGC (N / <1) 0.30 / 0.27				VT (N / <1) 0.55 / 0.49			CR 54	
670	142.094 SH / Opt 8 (ALU Refo LR/KR/BR, Foam): clr / air / E270 (DS/DS) 3/4" IG											
	0.118	0.500	0.118					AIR	0.037(#3)	CL	SS-D	N,G,S
	U-Factor 0.32			SHGC (N / <1) 0.36 / 0.33				VT (N / <1) 0.55 / 0.49			CR 54	
671	142.094 SH / Opt 8 (ALU Refo LR/KR/BR, Foam): E270 / arg / clr (DS/DS) 3/4" IG											
	0.118	0.500	0.118					ARG90	0.037(#2)	CL	SS-D	N,G,S
	U-Factor 0.28			SHGC (N / <1) 0.29 / 0.26				VT (N / <1) 0.55 / 0.49			CR 58	
672	142.094 SH / Opt 8 (ALU Refo LR/KR/BR, Foam): clr / arg / E270 (DS/DS) 3/4" IG											
	0.118	0.500	0.118					ARG90	0.037(#3)	CL	SS-D	N,G,S
	U-Factor 0.28			SHGC (N / <1) 0.36 / 0.33				VT (N / <1) 0.55 / 0.49			CR 58	
673	142.094 SH / Opt 8 (ALU Refo LR/KR/BR, Foam): lami / arg / E270 (DS 090 DS/DS) 3/4" IG											
	0.264	0.345	0.118					ARG90	0.037(#3)	CL	SS-D	N,S
	U-Factor 0.30			SHGC (N / <1) 0.35 / 0.31				VT (N / <1) 0.54 / 0.48			CR 56	
674	142.094 SH / Opt 8 (ALU Refo LR/KR/BR, Foam): E270 / arg / lami (DS/DS 090 DS) 3/4" IG											
	0.118	0.345	0.264					ARG90	0.037(#2)	CL	SS-D	N,S
	U-Factor 0.30			SHGC (N / <1) 0.29 / 0.26				VT (N / <1) 0.54 / 0.48			CR 56	

**NFRC 100/200/500 Summary Sheet
Windgate/Belmont/Stormgate Single Hung**

ID	Pane Thickness 1	Gap Width 1	Pane Thickness 2	Gap Width 2	Pane Thickness 3	Gap Width 3	Pane Thickness 4	Gap Fill	Low-e (Surface#)	Tint	Spacer	Grid Type
	U-Factor			Solar Heat Gain Coefficient (SHGC) Grids (None / <1 / >=1)				Visible Transmittance (VT) Grids (None / <1 / >=1)			Condensation Resistance	
670	142.094 SH / Opt 8 (ALU Refo LR/KR/BR, Foam): lami / arg / E270 (DS 090 DS/DS) 3/4" IG											
	0.264	0.345	0.118					ARG90	0.037(#3)	CL	SS-D	G,S
	U-Factor 0.32			SHGC (<1) 0.31				VT (<1) 0.48			CR 56	
	142.094 SH / Opt 8 (ALU Refo LR/KR/BR, Foam): E270 / arg / lami (DS/DS 090 DS) 3/4" IG											
	0.118	0.345	0.264					ARG90	0.037(#2)	CL	SS-D	G,S
	U-Factor 0.32			SHGC (<1) 0.26				VT (<1) 0.48			CR 56	
671	142.094 SH / Opt 8 (ALU Refo LR/KR/BR, Foam): E270 / arg / clr / arg / E270 (SS/SS/SS) 3/4" IG (SS-D)											
	0.087	0.266	0.087	0.266	0.087			ARG90	0.037(#2) / 0.037(#5)	CL	SS-D	N,S
	U-Factor 0.24			SHGC (N / <1) 0.25 / 0.23				VT (N / <1) 0.43 / 0.39			CR 66	
672	142.094 SH / Opt 8 (ALU Refo LR/KR/BR, Foam): E270 / arg / clr / arg / E270 (SS/SS/SS) 3/4" IG (SS-D)											
	0.087	0.266	0.087	0.266	0.087			ARG90	0.037(#2) / 0.037(#5)	CL	SS-D	G,S
	U-Factor 0.24			SHGC (<1) 0.23				VT (<1) 0.39			CR 66	
673	142.094 SH / Opt 8 (ALU Refo LR/KR/BR, Foam): E366 / air / clr (SS/SS) 3/4" IG											
	0.087	0.563	0.087					AIR	0.022(#2)	CL	SS-D	N,G,S
	U-Factor 0.32			SHGC (N / <1) 0.22 / 0.20				VT (N / <1) 0.51 / 0.46			CR 55	
	142.094 SH / Opt 8 (ALU Refo LR/KR/BR, Foam): clr / air / E366 (SS/SS) 3/4" IG											
	0.087	0.563	0.087					AIR	0.022(#3)	CL	SS-D	N,G,S
	U-Factor 0.32			SHGC (N / <1) 0.31 / 0.28				VT (N / <1) 0.51 / 0.46			CR 55	
674	142.094 SH / Opt 8 (ALU Refo LR/KR/BR, Foam): E366 / arg / clr (SS/SS) 3/4" IG											
	0.087	0.563	0.087					ARG90	0.022(#2)	CL	SS-D	N,G,S
	U-Factor 0.28			SHGC (N / <1) 0.22 / 0.20				VT (N / <1) 0.51 / 0.46			CR 59	
	142.094 SH / Opt 8 (ALU Refo LR/KR/BR, Foam): clr / arg / E366 (SS/SS) 3/4" IG											
	0.087	0.563	0.087					ARG90	0.022(#3)	CL	SS-D	N,G,S
	U-Factor 0.28			SHGC (N / <1) 0.31 / 0.28				VT (N / <1) 0.51 / 0.46			CR 59	
675	142.094 SH / Opt 8 (ALU Refo LR/KR/BR, Foam): E366 / air / clr (DS/DS) 3/4" IG											
	0.117	0.500	0.118					AIR	0.022(#2)	CL	SS-D	N,G,S
	U-Factor 0.31			SHGC (N / <1) 0.22 / 0.20				VT (N / <1) 0.51 / 0.45			CR 55	
	142.094 SH / Opt 8 (ALU Refo LR/KR/BR, Foam): clr / air / E366 (DS/DS) 3/4" IG											
	0.118	0.500	0.117					AIR	0.022(#3)	CL	SS-D	N,G,S
	U-Factor 0.31			SHGC (N / <1) 0.30 / 0.28				VT (N / <1) 0.51 / 0.45			CR 55	

**NFRC 100/200/500 Summary Sheet
Windgate/Belmont/Stormgate Single Hung**

ID	Pane Thickness 1	Gap Width 1	Pane Thickness 2	Gap Width 2	Pane Thickness 3	Gap Width 3	Pane Thickness 4	Gap Fill	Low-e (Surface#)	Tint	Spacer	Grid Type
	U-Factor			Solar Heat Gain Coefficient (SHGC) Grids (None / <1 / >=1)				Visible Transmittance (VT) Grids (None / <1 / >=1)			Condensation Resistance	
676	142.094 SH / Opt 8 (ALU Refo LR/KR/BR, Foam): E366 / arg / clr (DS/DS) 3/4" IG											
	0.117	0.500	0.118					ARG90	0.022(#2)	CL	SS-D	N,G,S
	U-Factor 0.28			SHGC (N / <1) 0.22 / 0.20				VT (N / <1) 0.51 / 0.45			CR 58	
	142.094 SH / Opt 8 (ALU Refo LR/KR/BR, Foam): clr / arg / E366 (DS/DS) 3/4" IG											
	0.118	0.500	0.117					ARG90	0.022(#3)	CL	SS-D	N,G,S
	U-Factor 0.28			SHGC (N / <1) 0.31 / 0.28				VT (N / <1) 0.51 / 0.45			CR 58	
677	142.094 SH / Opt 8 (ALU Refo LR/KR/BR, Foam): lami / arg / E366 (DS 090 DS/DS) 3/4" IG											
	0.264	0.345	0.117					ARG90	0.022(#3)	CL	SS-D	N,S
	U-Factor 0.30			SHGC (N / <1) 0.29 / 0.27				VT (N / <1) 0.50 / 0.44			CR 56	
	142.094 SH / Opt 8 (ALU Refo LR/KR/BR, Foam): E366 / arg / lami (DS/DS 090 DS) 3/4" IG											
	0.117	0.345	0.264					ARG90	0.022(#2)	CL	SS-D	N,S
	U-Factor 0.30			SHGC (N / <1) 0.22 / 0.20				VT (N / <1) 0.50 / 0.44			CR 56	
678	142.094 SH / Opt 8 (ALU Refo LR/KR/BR, Foam): lami / arg / E366 (DS 090 DS/DS) 3/4" IG											
	0.264	0.345	0.117					ARG90	0.022(#3)	CL	SS-D	G,S
	U-Factor 0.31			SHGC (<1) 0.27				VT (<1) 0.44			CR 56	
	142.094 SH / Opt 8 (ALU Refo LR/KR/BR, Foam): E366 / arg / lami (DS/DS 090 DS) 3/4" IG											
	0.117	0.345	0.264					ARG90	0.022(#2)	CL	SS-D	G,S
	U-Factor 0.31			SHGC (<1) 0.20				VT (<1) 0.44			CR 56	
679	142.094 SH / Opt 8 (ALU Refo LR/KR/BR, Foam): E366 / arg / clr / arg / E366 (SS/SS/SS) 3/4" IG (SS-D)											
	0.087	0.266	0.087	0.266	0.087			ARG90	0.022(#2) / 0.022(#5)	CL	SS-D	N,S
	U-Factor 0.23			SHGC (N / <1) 0.19 / 0.17				VT (N / <1) 0.37 / 0.33			CR 66	
680	142.094 SH / Opt 8 (ALU Refo LR/KR/BR, Foam): E366 / arg / clr / arg / E366 (SS/SS/SS) 3/4" IG (SS-D)											
	0.087	0.266	0.087	0.266	0.087			ARG90	0.022(#2) / 0.022(#5)	CL	SS-D	G,S
	U-Factor 0.24			SHGC (<1) 0.17				VT (<1) 0.33			CR 66	
681	142.094 SH / Opt 8 (ALU Refo LR/KR/BR, Foam): clr / air / clr (SS/SS) 3/4" IG											
	0.087	0.563	0.087					AIR		CL	TS-D	N,G,S
	U-Factor 0.46			SHGC (N / <1) 0.63 / 0.56				VT (N / <1) 0.65 / 0.58			CR 44	
682	142.094 SH / Opt 8 (ALU Refo LR/KR/BR, Foam): clr / air / clr (DS/DS) 3/4" IG											
	0.118	0.500	0.118					AIR		CL	TS-D	N,G,S
	U-Factor 0.46			SHGC (N / <1) 0.61 / 0.55				VT (N / <1) 0.65 / 0.58			CR 43	

NFRC 100/200/500 Summary Sheet Windgate/Belmont/Stormgate Single Hung

ID	Pane Thickness 1	Gap Width 1	Pane Thickness 2	Gap Width 2	Pane Thickness 3	Gap Width 3	Pane Thickness 4	Gap Fill	Low-e (Surface#)	Tint	Spacer	Grid Type
	U-Factor			Solar Heat Gain Coefficient (SHGC) Grids (None / <1 / >=1)				Visible Transmittance (VT) Grids (None / <1 / >=1)			Condensation Resistance	
683	142.094 SH / Opt 8 (ALU Refo LR/KR/BR, Foam): clr / air / clr (5mm/DS) 3/4" IG											
	0.185	0.438	0.118					AIR		CL	TS-D	N,G,S
	U-Factor 0.47			SHGC (N / <1) 0.59 / 0.53				VT (N / <1) 0.64 / 0.57			CR 42	
684	142.094 SH / Opt 8 (ALU Refo LR/KR/BR, Foam): clr / air / clr (5mm/DS) 3/4" IG											
	0.185	0.438	0.118					AIR		CL	TS-D	G
	U-Factor 0.47			SHGC (<1) 0.53				VT (<1) 0.57			CR 42	
685	142.094 SH / Opt 8 (ALU Refo LR/KR/BR, Foam): lami / air / clr (DS 090 DS/DS) 3/4" IG											
	0.264	0.345	0.118					AIR		CL	TS-D	N,S
	U-Factor 0.48			SHGC (N / <1) 0.56 / 0.51				VT (N / <1) 0.63 / 0.57			CR 42	
686	142.094 SH / Opt 8 (ALU Refo LR/KR/BR, Foam): clr / air / lami (DS/DS 090 DS) 3/4" IG											
	0.118	0.345	0.264					AIR		CL	TS-D	N,S
	U-Factor 0.48			SHGC (N / <1) 0.59 / 0.53				VT (N / <1) 0.63 / 0.57			CR 42	
687	142.094 SH / Opt 8 (ALU Refo LR/KR/BR, Foam): clr / air / clr / air / clr (SS/SS/SS) 3/4" IG (P1-S)											
	0.087	0.250	0.087	0.250	0.087			AIR		CL	TS-D	N,S
	U-Factor 0.38			SHGC (N / <1) 0.57 / 0.51				VT (N / <1) 0.60 / 0.54			CR 52	
688	142.094 SH / Opt 8 (ALU Refo LR/KR/BR, Foam): clr / air / clr / air / clr (SS/SS/SS) 3/4" IG (P1-S)											
	0.087	0.250	0.087	0.250	0.087			AIR		CL	TS-D	G,S
	U-Factor 0.39			SHGC (<1) 0.51				VT (<1) 0.54			CR 52	
689	142.094 SH / Opt 8 (ALU Refo LR/KR/BR, Foam): 70/36 / air / clr (SS/SS) 3/4" IG											
	0.090	0.563	0.090					AIR	0.036(#2)	CL	TS-D	N,G,S
	U-Factor 0.32			SHGC (N / <1) 0.31 / 0.28				VT (N / <1) 0.55 / 0.49			CR 54	
690	142.094 SH / Opt 8 (ALU Refo LR/KR/BR, Foam): clr / air / 70/36 (SS/SS) 3/4" IG											
	0.090	0.563	0.090					AIR	0.036(#3)	CL	TS-D	N,G,S
	U-Factor 0.32			SHGC (N / <1) 0.39 / 0.35				VT (N / <1) 0.55 / 0.49			CR 54	

**NFRC 100/200/500 Summary Sheet
Windgate/Belmont/Stormgate Single Hung**

ID	Pane Thickness 1	Gap Width 1	Pane Thickness 2	Gap Width 2	Pane Thickness 3	Gap Width 3	Pane Thickness 4	Gap Width 4	Gap Fill	Low-e (Surface#)	Tint	Spacer	Grid Type
	U-Factor			Solar Heat Gain Coefficient (SHGC) Grids (None / <1 / >=1)				Visible Transmittance (VT) Grids (None / <1 / >=1)			Condensation Resistance		
690	142.094 SH / Opt 8 (ALU Refo LR/KR/BR, Foam): 70/36 / arg / clr (SS/SS) 3/4" IG												
	0.090	0.563	0.090						ARG90	0.036(#2)	CL	TS-D	N,G,S
	U-Factor 0.29			SHGC (N / <1) 0.31 / 0.28				VT (N / <1) 0.55 / 0.49			CR 57		
	142.094 SH / Opt 8 (ALU Refo LR/KR/BR, Foam): clr / arg / 70/36 (SS/SS) 3/4" IG												
	0.090	0.563	0.090						ARG90	0.036(#3)	CL	TS-D	N,G,S
	U-Factor 0.29			SHGC (N / <1) 0.39 / 0.35				VT (N / <1) 0.55 / 0.49			CR 57		
691	142.094 SH / Opt 8 (ALU Refo LR/KR/BR, Foam): 70/36 / air / clr (DS/DS) 3/4" IG												
	0.117	0.500	0.117						AIR	0.036(#2)	CL	TS-D	N,G,S
	U-Factor 0.32			SHGC (N / <1) 0.31 / 0.28				VT (N / <1) 0.55 / 0.49			CR 53		
	142.094 SH / Opt 8 (ALU Refo LR/KR/BR, Foam): clr / air / 70/36 (DS/DS) 3/4" IG												
	0.117	0.500	0.117						AIR	0.036(#3)	CL	TS-D	N,G,S
	U-Factor 0.32			SHGC (N / <1) 0.38 / 0.34				VT (N / <1) 0.55 / 0.49			CR 53		
692	142.094 SH / Opt 8 (ALU Refo LR/KR/BR, Foam): 70/36 / arg / clr (DS/DS) 3/4" IG												
	0.117	0.500	0.117						ARG90	0.036(#2)	CL	TS-D	N,G,S
	U-Factor 0.29			SHGC (N / <1) 0.30 / 0.27				VT (N / <1) 0.55 / 0.49			CR 56		
	142.094 SH / Opt 8 (ALU Refo LR/KR/BR, Foam): clr / arg / 70/36 (DS/DS) 3/4" IG												
	0.117	0.500	0.117						ARG90	0.036(#3)	CL	TS-D	N,G,S
	U-Factor 0.29			SHGC (N / <1) 0.38 / 0.35				VT (N / <1) 0.55 / 0.49			CR 56		
693	142.094 SH / Opt 8 (ALU Refo LR/KR/BR, Foam): lami / arg / 70/36 (DS 090 DS/DS) 3/4" IG												
	0.264	0.345	0.117						ARG90	0.036(#3)	CL	TS-D	N,S
	U-Factor 0.31			SHGC (N / <1) 0.36 / 0.33				VT (N / <1) 0.54 / 0.48			CR 55		
	142.094 SH / Opt 8 (ALU Refo LR/KR/BR, Foam): 70/36 / arg / lami (DS/DS 090 DS) 3/4" IG												
	0.117	0.345	0.264						ARG90	0.036(#2)	CL	TS-D	N,S
	U-Factor 0.31			SHGC (N / <1) 0.30 / 0.27				VT (N / <1) 0.54 / 0.48			CR 55		
694	142.094 SH / Opt 8 (ALU Refo LR/KR/BR, Foam): lami / arg / 70/36 (DS 090 DS/DS) 3/4" IG												
	0.264	0.345	0.117						ARG90	0.036(#3)	CL	TS-D	G,S
	U-Factor 0.32			SHGC (<1) 0.33				VT (<1) 0.48			CR 55		
	142.094 SH / Opt 8 (ALU Refo LR/KR/BR, Foam): 70/36 / arg / lami (DS/DS 090 DS) 3/4" IG												
	0.117	0.345	0.264						ARG90	0.036(#2)	CL	TS-D	G,S
	U-Factor 0.32			SHGC (<1) 0.27				VT (<1) 0.48			CR 55		

**NFRC 100/200/500 Summary Sheet
Windgate/Belmont/Stormgate Single Hung**

ID	Pane Thickness 1	Gap Width 1	Pane Thickness 2	Gap Width 2	Pane Thickness 3	Gap Width 3	Pane Thickness 4	Gap Fill	Low-e (Surface#)	Tint	Spacer	Grid Type
	U-Factor			Solar Heat Gain Coefficient (SHGC) Grids (None / <1 / >=1)				Visible Transmittance (VT) Grids (None / <1 / >=1)			Condensation Resistance	
695	142.094 SH / Opt 8 (ALU Refo LR/KR/BR, Foam): 70/36 / arg / clr / arg / 70/36 (SS/SS/SS) 3/4" IG											
	0.090	0.250	0.090	0.250	0.090			ARG90	0.036(#2) / 0.036(#5)	CL	TS-D	N,S
	U-Factor 0.25			SHGC (N / <1) 0.26 / 0.24				VT (N / <1) 0.43 / 0.39			CR 64	
696	142.094 SH / Opt 8 (ALU Refo LR/KR/BR, Foam): 70/36 / arg / clr / arg / 70/36 (SS/SS/SS) 3/4" IG											
	0.090	0.250	0.090	0.250	0.090			ARG90	0.036(#2) / 0.036(#5)	CL	TS-D	G,S
	U-Factor 0.26			SHGC (<1) 0.24				VT (<1) 0.39			CR 64	
697	142.094 SH / Opt 8 (ALU Refo LR/KR/BR, Foam): 80/70 / air / clr (SS/SS) 3/4" IG											
	0.090	0.563	0.090					AIR	0.095(#2)	CL	TS-D	N,G,S
	U-Factor 0.34			SHGC (N / <1) 0.53 / 0.48				VT (N / <1) 0.64 / 0.57			CR 53	
	142.094 SH / Opt 8 (ALU Refo LR/KR/BR, Foam): clr / air / 80/70 (SS/SS) 3/4" IG											
	0.090	0.563	0.090					AIR	0.095(#3)	CL	TS-D	N,G,S
	U-Factor 0.34			SHGC (N / <1) 0.56 / 0.50				VT (N / <1) 0.64 / 0.57			CR 53	
698	142.094 SH / Opt 8 (ALU Refo LR/KR/BR, Foam): 80/70 / arg / clr (SS/SS) 3/4" IG											
	0.090	0.563	0.090					ARG90	0.095(#2)	CL	TS-D	N,G,S
	U-Factor 0.31			SHGC (N / <1) 0.53 / 0.48				VT (N / <1) 0.64 / 0.57			CR 56	
	142.094 SH / Opt 8 (ALU Refo LR/KR/BR, Foam): clr / arg / 80/70 (SS/SS) 3/4" IG											
	0.090	0.563	0.090					ARG90	0.095(#3)	CL	TS-D	N,G,S
	U-Factor 0.31			SHGC (N / <1) 0.56 / 0.50				VT (N / <1) 0.64 / 0.57			CR 56	
699	142.094 SH / Opt 8 (ALU Refo LR/KR/BR, Foam): 80/70 / air / clr (DS/DS) 3/4" IG											
	0.117	0.500	0.117					AIR	0.095(#2)	CL	TS-D	N,G,S
	U-Factor 0.34			SHGC (N / <1) 0.52 / 0.47				VT (N / <1) 0.63 / 0.57			CR 52	
	142.094 SH / Opt 8 (ALU Refo LR/KR/BR, Foam): clr / air / 80/70 (DS/DS) 3/4" IG											
	0.117	0.500	0.117					AIR	0.095(#3)	CL	TS-D	N,G,S
	U-Factor 0.34			SHGC (N / <1) 0.55 / 0.50				VT (N / <1) 0.63 / 0.57			CR 52	
700	142.094 SH / Opt 8 (ALU Refo LR/KR/BR, Foam): 80/70 / arg / clr (DS/DS) 3/4" IG											
	0.117	0.500	0.117					ARG90	0.095(#2)	CL	TS-D	N,G,S
	U-Factor 0.30			SHGC (N / <1) 0.52 / 0.47				VT (N / <1) 0.63 / 0.57			CR 55	
	142.094 SH / Opt 8 (ALU Refo LR/KR/BR, Foam): clr / arg / 80/70 (DS/DS) 3/4" IG											
	0.117	0.500	0.117					ARG90	0.095(#3)	CL	TS-D	N,G,S
	U-Factor 0.30			SHGC (N / <1) 0.55 / 0.50				VT (N / <1) 0.63 / 0.57			CR 55	

**NFRC 100/200/500 Summary Sheet
 Windgate/Belmont/Stormgate Single Hung**

ID	Pane Thickness 1	Gap Width 1	Pane Thickness 2	Gap Width 2	Pane Thickness 3	Gap Width 3	Pane Thickness 4	Gap Fill	Low-e (Surface#)	Tint	Spacer	Grid Type
	U-Factor			Solar Heat Gain Coefficient (SHGC) Grids (None / <1 / >=1)				Visible Transmittance (VT) Grids (None / <1 / >=1)			Condensation Resistance	
701	142.094 SH / Opt 8 (ALU Refo LR/KR/BR, Foam): lami / arg / 80/70 (DS 090 DS/DS) 3/4" IG											
	0.264	0.345	0.117					ARG90	0.095(#3)	CL	TS-D	N,S
	U-Factor 0.32			SHGC (N / <1) 0.51 / 0.46				VT (N / <1) 0.62 / 0.56			CR 53	
	142.094 SH / Opt 8 (ALU Refo LR/KR/BR, Foam): 80/70 / arg / lami (DS/DS 090 DS) 3/4" IG											
	0.117	0.345	0.264					ARG90	0.095(#2)	CL	TS-D	N,S
	U-Factor 0.32			SHGC (N / <1) 0.51 / 0.46				VT (N / <1) 0.62 / 0.56			CR 53	
702	142.094 SH / Opt 8 (ALU Refo LR/KR/BR, Foam): lami / arg / 80/70 (DS 090 DS/DS) 3/4" IG											
	0.264	0.345	0.117					ARG90	0.095(#3)	CL	TS-D	G,S
	U-Factor 0.34			SHGC (<1) 0.46				VT (<1) 0.56			CR 53	
	142.094 SH / Opt 8 (ALU Refo LR/KR/BR, Foam): 80/70 / arg / lami (DS/DS 090 DS) 3/4" IG											
	0.117	0.345	0.264					ARG90	0.095(#2)	CL	TS-D	G,S
	U-Factor 0.34			SHGC (<1) 0.46				VT (<1) 0.56			CR 53	
703	142.094 SH / Opt 8 (ALU Refo LR/KR/BR, Foam): 80/70 / arg / clr / arg / 80/70 (SS/SS/SS) 3/4" IG											
	0.090	0.250	0.090	0.250	0.090			ARG90	0.095(#2) / 0.095(#5)	CL	TS-D	N,S
	U-Factor 0.26			SHGC (N / <1) 0.47 / 0.42				VT (N / <1) 0.58 / 0.51			CR 63	
704	142.094 SH / Opt 8 (ALU Refo LR/KR/BR, Foam): 80/70 / arg / clr / arg / 80/70 (SS/SS/SS) 3/4" IG											
	0.090	0.250	0.090	0.250	0.090			ARG90	0.095(#2) / 0.095(#5)	CL	TS-D	G,S
	U-Factor 0.27			SHGC (<1) 0.42				VT (<1) 0.51			CR 63	
705	142.094 SH / Opt 9 (ALU Refo LR/KR/BR/S, Foam): clr / air / clr (SS/SS) 3/4" IG											
	0.087	0.563	0.087					AIR		CL	P1-S	N,G,S
	U-Factor 0.46			SHGC (N / <1) 0.63 / 0.56				VT (N / <1) 0.65 / 0.58			CR 45	
706	142.094 SH / Opt 9 (ALU Refo LR/KR/BR/S, Foam): clr / air / clr (DS/DS) 3/4" IG											
	0.118	0.500	0.118					AIR		CL	P1-S	N,G,S
	U-Factor 0.46			SHGC (N / <1) 0.61 / 0.55				VT (N / <1) 0.65 / 0.58			CR 45	
707	142.094 SH / Opt 9 (ALU Refo LR/KR/BR/S, Foam): clr / air / clr (5mm/DS) 3/4" IG											
	0.185	0.438	0.118					AIR		CL	P1-S	N,G,S
	U-Factor 0.46			SHGC (N / <1) 0.59 / 0.53				VT (N / <1) 0.64 / 0.57			CR 44	
708	142.094 SH / Opt 9 (ALU Refo LR/KR/BR/S, Foam): clr / air / clr (5mm/DS) 3/4" IG											
	0.185	0.438	0.118					AIR		CL	P1-S	G
	U-Factor 0.46			SHGC (<1) 0.53				VT (<1) 0.57			CR 44	

**NFRC 100/200/500 Summary Sheet
Windgate/Belmont/Stormgate Single Hung**

ID	Pane Thickness 1	Gap Width 1	Pane Thickness 2	Gap Width 2	Pane Thickness 3	Gap Width 3	Pane Thickness 4	Gap Fill	Low-e (Surface#)	Tint	Spacer	Grid Type
	U-Factor			Solar Heat Gain Coefficient (SHGC) Grids (None / <1 / >=1)				Visible Transmittance (VT) Grids (None / <1 / >=1)			Condensation Resistance	
709	142.094 SH / Opt 9 (ALU Refo LR/KR/BR/S, Foam): lami / air / clr (DS 090 DS/DS) 3/4" IG											
	0.264	0.345	0.118					AIR		CL	P1-S	N,S
	U-Factor 0.47			SHGC (N / <1) 0.56 / 0.51				VT (N / <1) 0.63 / 0.57			CR 43	
	142.094 SH / Opt 9 (ALU Refo LR/KR/BR/S, Foam): clr / air / lami (DS/DS 090 DS) 3/4" IG											
	0.118	0.345	0.264					AIR		CL	P1-S	N,S
	U-Factor 0.47			SHGC (N / <1) 0.59 / 0.53				VT (N / <1) 0.63 / 0.57			CR 43	
710	142.094 SH / Opt 9 (ALU Refo LR/KR/BR/S, Foam): lami / air / clr (DS 090 DS/DS) 3/4" IG											
	0.264	0.345	0.118					AIR		CL	P1-S	G,S
	U-Factor 0.48			SHGC (<1) 0.51				VT (<1) 0.57			CR 43	
	142.094 SH / Opt 9 (ALU Refo LR/KR/BR/S, Foam): clr / air / lami (DS/DS 090 DS) 3/4" IG											
	0.118	0.345	0.264					AIR		CL	P1-S	G,S
	U-Factor 0.48			SHGC (<1) 0.53				VT (<1) 0.57			CR 43	
711	142.094 SH / Opt 9 (ALU Refo LR/KR/BR/S, Foam): clr / air / clr / air / clr (SS/SS/SS) 3/4" IG (P1-S)											
	0.087	0.250	0.087	0.250	0.087			AIR		CL	P1-S	N,S
	U-Factor 0.38			SHGC (N / <1) 0.57 / 0.51				VT (N / <1) 0.60 / 0.54			CR 54	
712	142.094 SH / Opt 9 (ALU Refo LR/KR/BR/S, Foam): clr / air / clr / air / clr (SS/SS/SS) 3/4" IG (P1-S)											
	0.087	0.250	0.087	0.250	0.087			AIR		CL	P1-S	G,S
	U-Factor 0.39			SHGC (<1) 0.51				VT (<1) 0.54			CR 54	
713	142.094 SH / Opt 9 (ALU Refo LR/KR/BR/S, Foam): E270 / air / clr (SS/SS) 3/4" IG											
	0.087	0.563	0.087					AIR	0.037(#2)	CL	P1-S	N,G,S
	U-Factor 0.32			SHGC (N / <1) 0.30 / 0.27				VT (N / <1) 0.55 / 0.49			CR 57	
	142.094 SH / Opt 9 (ALU Refo LR/KR/BR/S, Foam): clr / air / E270 (SS/SS) 3/4" IG											
	0.087	0.563	0.087					AIR	0.037(#3)	CL	P1-S	N,G,S
	U-Factor 0.32			SHGC (N / <1) 0.37 / 0.33				VT (N / <1) 0.55 / 0.49			CR 57	
714	142.094 SH / Opt 9 (ALU Refo LR/KR/BR/S, Foam): E270 / arg / clr (SS/SS) 3/4" IG											
	0.087	0.563	0.087					ARG90	0.037(#2)	CL	P1-S	N,G,S
	U-Factor 0.28			SHGC (N / <1) 0.29 / 0.26				VT (N / <1) 0.55 / 0.49			CR 61	
	142.094 SH / Opt 9 (ALU Refo LR/KR/BR/S, Foam): clr / arg / E270 (SS/SS) 3/4" IG											
	0.087	0.563	0.087					ARG90	0.037(#3)	CL	P1-S	N,G,S
	U-Factor 0.28			SHGC (N / <1) 0.37 / 0.33				VT (N / <1) 0.55 / 0.49			CR 61	

**NFRC 100/200/500 Summary Sheet
 Windgate/Belmont/Stormgate Single Hung**

ID	Pane Thickness 1	Gap Width 1	Pane Thickness 2	Gap Width 2	Pane Thickness 3	Gap Width 3	Pane Thickness 4	Gap Fill	Low-e (Surface#)	Tint	Spacer	Grid Type
	U-Factor			Solar Heat Gain Coefficient (SHGC) Grids (None / <1 / >=1)				Visible Transmittance (VT) Grids (None / <1 / >=1)			Condensation Resistance	
715	142.094 SH / Opt 9 (ALU Refo LR/KR/BR/S, Foam): E270 / air / clr (DS/DS) 3/4" IG											
	0.118	0.500	0.118					AIR	0.037(#2)	CL	P1-S	N,G,S
	U-Factor 0.31			SHGC (N / <1) 0.30 / 0.27				VT (N / <1) 0.55 / 0.49			CR 56	
	142.094 SH / Opt 9 (ALU Refo LR/KR/BR/S, Foam): clr / air / E270 (DS/DS) 3/4" IG											
	0.118	0.500	0.118					AIR	0.037(#3)	CL	P1-S	N,G,S
	U-Factor 0.31			SHGC (N / <1) 0.36 / 0.33				VT (N / <1) 0.55 / 0.49			CR 56	
716	142.094 SH / Opt 9 (ALU Refo LR/KR/BR/S, Foam): E270 / arg / clr (DS/DS) 3/4" IG											
	0.118	0.500	0.118					ARG90	0.037(#2)	CL	P1-S	N,G,S
	U-Factor 0.28			SHGC (N / <1) 0.29 / 0.26				VT (N / <1) 0.55 / 0.49			CR 60	
	142.094 SH / Opt 9 (ALU Refo LR/KR/BR/S, Foam): clr / arg / E270 (DS/DS) 3/4" IG											
	0.118	0.500	0.118					ARG90	0.037(#3)	CL	P1-S	N,G,S
	U-Factor 0.28			SHGC (N / <1) 0.36 / 0.33				VT (N / <1) 0.55 / 0.49			CR 60	
717	142.094 SH / Opt 9 (ALU Refo LR/KR/BR/S, Foam): lami / arg / E270 (DS 090 DS/DS) 3/4" IG											
	0.264	0.345	0.118					ARG90	0.037(#3)	CL	P1-S	N,S
	U-Factor 0.30			SHGC (N / <1) 0.35 / 0.31				VT (N / <1) 0.54 / 0.48			CR 58	
	142.094 SH / Opt 9 (ALU Refo LR/KR/BR/S, Foam): E270 / arg / lami (DS/DS 090 DS) 3/4" IG											
	0.118	0.345	0.264					ARG90	0.037(#2)	CL	P1-S	N,S
	U-Factor 0.30			SHGC (N / <1) 0.29 / 0.26				VT (N / <1) 0.54 / 0.48			CR 58	
718	142.094 SH / Opt 9 (ALU Refo LR/KR/BR/S, Foam): lami / arg / E270 (DS 090 DS/DS) 3/4" IG											
	0.264	0.345	0.118					ARG90	0.037(#3)	CL	P1-S	G,S
	U-Factor 0.31			SHGC (<1) 0.31				VT (<1) 0.48			CR 58	
	142.094 SH / Opt 9 (ALU Refo LR/KR/BR/S, Foam): E270 / arg / lami (DS/DS 090 DS) 3/4" IG											
	0.118	0.345	0.264					ARG90	0.037(#2)	CL	P1-S	G,S
	U-Factor 0.31			SHGC (<1) 0.26				VT (<1) 0.48			CR 58	
719	142.094 SH / Opt 9 (ALU Refo LR/KR/BR/S, Foam): E270 / arg / clr / arg / E270 (SS/SS/SS) 3/4" IG (P1-S)											
	0.087	0.250	0.087	0.250	0.087			ARG90	0.037(#2) / 0.037(#5)	CL	P1-S	N,S
	U-Factor 0.24			SHGC (N / <1) 0.25 / 0.23				VT (N / <1) 0.43 / 0.39			CR 66	
720	142.094 SH / Opt 9 (ALU Refo LR/KR/BR/S, Foam): E270 / arg / clr / arg / E270 (SS/SS/SS) 3/4" IG (P1-S)											
	0.087	0.250	0.087	0.250	0.087			ARG90	0.037(#2) / 0.037(#5)	CL	P1-S	G,S
	U-Factor 0.25			SHGC (<1) 0.23				VT (<1) 0.39			CR 66	

**NFRC 100/200/500 Summary Sheet
Windgate/Belmont/Stormgate Single Hung**

ID	Pane Thickness 1	Gap Width 1	Pane Thickness 2	Gap Width 2	Pane Thickness 3	Gap Width 3	Pane Thickness 4	Gap Fill	Low-e (Surface#)	Tint	Spacer	Grid Type
	U-Factor			Solar Heat Gain Coefficient (SHGC) Grids (None / <1 / >=1)				Visible Transmittance (VT) Grids (None / <1 / >=1)			Condensation Resistance	
721	142.094 SH / Opt 9 (ALU Refo LR/KR/BR/S, Foam): E366 / air / clr (SS/SS) 3/4" IG											
	0.087	0.563	0.087					AIR	0.022(#2)	CL	P1-S	N,G,S
	U-Factor 0.31			SHGC (N / <1) 0.22 / 0.20				VT (N / <1) 0.51 / 0.46			CR	58
	142.094 SH / Opt 9 (ALU Refo LR/KR/BR/S, Foam): clr / air / E366 (SS/SS) 3/4" IG											
	0.087	0.563	0.087					AIR	0.022(#3)	CL	P1-S	N,G,S
	U-Factor 0.31			SHGC (N / <1) 0.31 / 0.28				VT (N / <1) 0.51 / 0.46			CR	58
722	142.094 SH / Opt 9 (ALU Refo LR/KR/BR/S, Foam): E366 / arg / clr (SS/SS) 3/4" IG											
	0.087	0.563	0.087					ARG90	0.022(#2)	CL	P1-S	N,G,S
	U-Factor 0.28			SHGC (N / <1) 0.22 / 0.20				VT (N / <1) 0.51 / 0.46			CR	62
	142.094 SH / Opt 9 (ALU Refo LR/KR/BR/S, Foam): clr / arg / E366 (SS/SS) 3/4" IG											
	0.087	0.563	0.087					ARG90	0.022(#3)	CL	P1-S	N,G,S
	U-Factor 0.28			SHGC (N / <1) 0.31 / 0.28				VT (N / <1) 0.51 / 0.46			CR	62
723	142.094 SH / Opt 9 (ALU Refo LR/KR/BR/S, Foam): E366 / air / clr (DS/DS) 3/4" IG											
	0.117	0.500	0.118					AIR	0.022(#2)	CL	P1-S	N,G,S
	U-Factor 0.31			SHGC (N / <1) 0.22 / 0.20				VT (N / <1) 0.51 / 0.45			CR	57
	142.094 SH / Opt 9 (ALU Refo LR/KR/BR/S, Foam): clr / air / E366 (DS/DS) 3/4" IG											
	0.118	0.500	0.117					AIR	0.022(#3)	CL	P1-S	N,G,S
	U-Factor 0.31			SHGC (N / <1) 0.30 / 0.28				VT (N / <1) 0.51 / 0.45			CR	57
724	142.094 SH / Opt 9 (ALU Refo LR/KR/BR/S, Foam): E366 / arg / clr (DS/DS) 3/4" IG											
	0.117	0.500	0.118					ARG90	0.022(#2)	CL	P1-S	N,G,S
	U-Factor 0.27			SHGC (N / <1) 0.22 / 0.20				VT (N / <1) 0.51 / 0.45			CR	61
	142.094 SH / Opt 9 (ALU Refo LR/KR/BR/S, Foam): clr / arg / E366 (DS/DS) 3/4" IG											
	0.118	0.500	0.117					ARG90	0.022(#3)	CL	P1-S	N,G,S
	U-Factor 0.27			SHGC (N / <1) 0.31 / 0.28				VT (N / <1) 0.51 / 0.45			CR	61
725	142.094 SH / Opt 9 (ALU Refo LR/KR/BR/S, Foam): lami / arg / E366 (DS 090 DS/DS) 3/4" IG											
	0.264	0.345	0.117					ARG90	0.022(#3)	CL	P1-S	N,S
	U-Factor 0.29			SHGC (N / <1) 0.29 / 0.27				VT (N / <1) 0.50 / 0.44			CR	59
	142.094 SH / Opt 9 (ALU Refo LR/KR/BR/S, Foam): E366 / arg / lami (DS/DS 090 DS) 3/4" IG											
	0.117	0.345	0.264					ARG90	0.022(#2)	CL	P1-S	N,S
	U-Factor 0.29			SHGC (N / <1) 0.22 / 0.20				VT (N / <1) 0.50 / 0.44			CR	59

**NFRC 100/200/500 Summary Sheet
Windgate/Belmont/Stormgate Single Hung**

ID	Pane Thickness 1	Gap Width 1	Pane Thickness 2	Gap Width 2	Pane Thickness 3	Gap Width 3	Pane Thickness 4	Gap Fill	Low-e (Surface#)	Tint	Spacer	Grid Type
	U-Factor			Solar Heat Gain Coefficient (SHGC) Grids (None / <1 / >=1)				Visible Transmittance (VT) Grids (None / <1 / >=1)			Condensation Resistance	
726	142.094 SH / Opt 9 (ALU Refo LR/KR/BR/S, Foam): lami / arg / E366 (DS 090 DS/DS) 3/4" IG											
	0.264	0.345	0.117					ARG90	0.022(#3)	CL	P1-S	G,S
	U-Factor 0.31			SHGC (<1) 0.27				VT (<1) 0.44			CR 59	
	142.094 SH / Opt 9 (ALU Refo LR/KR/BR/S, Foam): E366 / arg / lami (DS/DS 090 DS) 3/4" IG											
	0.117	0.345	0.264					ARG90	0.022(#2)	CL	P1-S	G,S
	U-Factor 0.31			SHGC (<1) 0.20				VT (<1) 0.44			CR 59	
727	142.094 SH / Opt 9 (ALU Refo LR/KR/BR/S, Foam): E366 / arg / clr / arg / E366 (SS/SS/SS) 3/4" IG (P1-S)											
	0.087	0.250	0.087	0.250	0.087			ARG90	0.022(#2) / 0.022(#5)	CL	P1-S	N,S
	U-Factor 0.24			SHGC (N / <1) 0.19 / 0.17				VT (N / <1) 0.37 / 0.33			CR 66	
728	142.094 SH / Opt 9 (ALU Refo LR/KR/BR/S, Foam): E366 / arg / clr / arg / E366 (SS/SS/SS) 3/4" IG (P1-S)											
	0.087	0.250	0.087	0.250	0.087			ARG90	0.022(#2) / 0.022(#5)	CL	P1-S	G,S
	U-Factor 0.25			SHGC (<1) 0.17				VT (<1) 0.33			CR 66	
729	142.094 SH / Opt 9 (ALU Refo LR/KR/BR/S, Foam): 70/36 / air / clr (SS/SS) 3/4" IG											
	0.090	0.563	0.090					AIR	0.036(#2)	CL	P1-S	N,G,S
	U-Factor 0.32			SHGC (N / <1) 0.31 / 0.28				VT (N / <1) 0.55 / 0.49			CR 57	
	142.094 SH / Opt 9 (ALU Refo LR/KR/BR/S, Foam): clr / air / 70/36 (SS/SS) 3/4" IG											
	0.090	0.563	0.090					AIR	0.036(#3)	CL	P1-S	N,G,S
	U-Factor 0.32			SHGC (N / <1) 0.39 / 0.35				VT (N / <1) 0.55 / 0.49			CR 57	
730	142.094 SH / Opt 9 (ALU Refo LR/KR/BR/S, Foam): 70/36 / arg / clr (SS/SS) 3/4" IG											
	0.090	0.563	0.090					ARG90	0.036(#2)	CL	P1-S	N,G,S
	U-Factor 0.28			SHGC (N / <1) 0.31 / 0.28				VT (N / <1) 0.55 / 0.49			CR 61	
	142.094 SH / Opt 9 (ALU Refo LR/KR/BR/S, Foam): clr / arg / 70/36 (SS/SS) 3/4" IG											
	0.090	0.563	0.090					ARG90	0.036(#3)	CL	P1-S	N,G,S
	U-Factor 0.28			SHGC (N / <1) 0.39 / 0.35				VT (N / <1) 0.55 / 0.49			CR 61	
731	142.094 SH / Opt 9 (ALU Refo LR/KR/BR/S, Foam): 70/36 / air / clr (DS/DS) 3/4" IG											
	0.117	0.500	0.117					AIR	0.036(#2)	CL	P1-S	N,G,S
	U-Factor 0.31			SHGC (N / <1) 0.31 / 0.28				VT (N / <1) 0.55 / 0.49			CR 56	
	142.094 SH / Opt 9 (ALU Refo LR/KR/BR/S, Foam): clr / air / 70/36 (DS/DS) 3/4" IG											
	0.117	0.500	0.117					AIR	0.036(#3)	CL	P1-S	N,G,S
	U-Factor 0.31			SHGC (N / <1) 0.38 / 0.34				VT (N / <1) 0.55 / 0.49			CR 56	

**NFRC 100/200/500 Summary Sheet
Windgate/Belmont/Stormgate Single Hung**

ID	Pane Thickness 1	Gap Width 1	Pane Thickness 2	Gap Width 2	Pane Thickness 3	Gap Width 3	Pane Thickness 4	Gap Fill	Low-e (Surface#)	Tint	Spacer	Grid Type
	U-Factor			Solar Heat Gain Coefficient (SHGC) Grids (None / <1 / >=1)				Visible Transmittance (VT) Grids (None / <1 / >=1)			Condensation Resistance	
732	142.094 SH / Opt 9 (ALU Refo LR/KR/BR/S, Foam): 70/36 / arg / clr (DS/DS) 3/4" IG											
	0.117	0.500	0.117					ARG90	0.036(#2)	CL	P1-S	N,G,S
	U-Factor 0.28			SHGC (N / <1) 0.30 / 0.27				VT (N / <1) 0.55 / 0.49			CR	60
	142.094 SH / Opt 9 (ALU Refo LR/KR/BR/S, Foam): clr / arg / 70/36 (DS/DS) 3/4" IG											
	0.117	0.500	0.117					ARG90	0.036(#3)	CL	P1-S	N,G,S
	U-Factor 0.28			SHGC (N / <1) 0.38 / 0.35				VT (N / <1) 0.55 / 0.49			CR	60
733	142.094 SH / Opt 9 (ALU Refo LR/KR/BR/S, Foam): lami / arg / 70/36 (DS 090 DS/DS) 3/4" IG											
	0.264	0.345	0.117					ARG90	0.036(#3)	CL	P1-S	N,S
	U-Factor 0.30			SHGC (N / <1) 0.36 / 0.33				VT (N / <1) 0.54 / 0.48			CR	58
	142.094 SH / Opt 9 (ALU Refo LR/KR/BR/S, Foam): 70/36 / arg / lami (DS/DS 090 DS) 3/4" IG											
	0.117	0.345	0.264					ARG90	0.036(#2)	CL	P1-S	N,S
	U-Factor 0.30			SHGC (N / <1) 0.30 / 0.27				VT (N / <1) 0.54 / 0.48			CR	58
734	142.094 SH / Opt 9 (ALU Refo LR/KR/BR/S, Foam): lami / arg / 70/36 (DS 090 DS/DS) 3/4" IG											
	0.264	0.345	0.117					ARG90	0.036(#3)	CL	P1-S	G,S
	U-Factor 0.31			SHGC (<1) 0.33				VT (<1) 0.48			CR	58
	142.094 SH / Opt 9 (ALU Refo LR/KR/BR/S, Foam): 70/36 / arg / lami (DS/DS 090 DS) 3/4" IG											
	0.117	0.345	0.264					ARG90	0.036(#2)	CL	P1-S	G,S
	U-Factor 0.31			SHGC (<1) 0.27				VT (<1) 0.48			CR	58
735	142.094 SH / Opt 9 (ALU Refo LR/KR/BR/S, Foam): 70/36 / arg / clr / arg / 70/36 (SS/SS/SS) 3/4" IG											
	0.090	0.250	0.090	0.250	0.090			ARG90	0.036(#2) / 0.036(#5)	CL	P1-S	N,S
	U-Factor 0.24			SHGC (N / <1) 0.26 / 0.24				VT (N / <1) 0.43 / 0.39			CR	66
736	142.094 SH / Opt 9 (ALU Refo LR/KR/BR/S, Foam): 70/36 / arg / clr / arg / 70/36 (SS/SS/SS) 3/4" IG											
	0.090	0.250	0.090	0.250	0.090			ARG90	0.036(#2) / 0.036(#5)	CL	P1-S	G,S
	U-Factor 0.25			SHGC (<1) 0.24				VT (<1) 0.39			CR	66
737	142.094 SH / Opt 9 (ALU Refo LR/KR/BR/S, Foam): 80/70 / air / clr (SS/SS) 3/4" IG											
	0.090	0.563	0.090					AIR	0.095(#2)	CL	P1-S	N,G,S
	U-Factor 0.33			SHGC (N / <1) 0.53 / 0.48				VT (N / <1) 0.64 / 0.57			CR	56
	142.094 SH / Opt 9 (ALU Refo LR/KR/BR/S, Foam): clr / air / 80/70 (SS/SS) 3/4" IG											
	0.090	0.563	0.090					AIR	0.095(#3)	CL	P1-S	N,G,S
	U-Factor 0.33			SHGC (N / <1) 0.56 / 0.50				VT (N / <1) 0.64 / 0.57			CR	56

**NFRC 100/200/500 Summary Sheet
Windgate/Belmont/Stormgate Single Hung**

ID	Pane Thickness 1	Gap Width 1	Pane Thickness 2	Gap Width 2	Pane Thickness 3	Gap Width 3	Pane Thickness 4	Gap Fill	Low-e (Surface#)	Tint	Spacer	Grid Type
	U-Factor			Solar Heat Gain Coefficient (SHGC) Grids (None / <1 / >=1)				Visible Transmittance (VT) Grids (None / <1 / >=1)			Condensation Resistance	
738	142.094 SH / Opt 9 (ALU Refo LR/KR/BR/S, Foam): 80/70 / arg / clr (SS/SS) 3/4" IG											
	0.090	0.563	0.090					ARG90	0.095(#2)	CL	P1-S	N,G,S
	U-Factor 0.30			SHGC (N / <1) 0.53 / 0.48				VT (N / <1) 0.64 / 0.57			CR	60
	142.094 SH / Opt 9 (ALU Refo LR/KR/BR/S, Foam): clr / arg / 80/70 (SS/SS) 3/4" IG											
	0.090	0.563	0.090					ARG90	0.095(#3)	CL	P1-S	N,G,S
	U-Factor 0.30			SHGC (N / <1) 0.56 / 0.50				VT (N / <1) 0.64 / 0.57			CR	60
739	142.094 SH / Opt 9 (ALU Refo LR/KR/BR/S, Foam): 80/70 / air / clr (DS/DS) 3/4" IG											
	0.117	0.500	0.117					AIR	0.095(#2)	CL	P1-S	N,G,S
	U-Factor 0.33			SHGC (N / <1) 0.52 / 0.47				VT (N / <1) 0.63 / 0.57			CR	55
	142.094 SH / Opt 9 (ALU Refo LR/KR/BR/S, Foam): clr / air / 80/70 (DS/DS) 3/4" IG											
	0.117	0.500	0.117					AIR	0.095(#3)	CL	P1-S	N,G,S
	U-Factor 0.33			SHGC (N / <1) 0.55 / 0.50				VT (N / <1) 0.63 / 0.57			CR	55
740	142.094 SH / Opt 9 (ALU Refo LR/KR/BR/S, Foam): 80/70 / arg / clr (DS/DS) 3/4" IG											
	0.117	0.500	0.117					ARG90	0.095(#2)	CL	P1-S	N,G,S
	U-Factor 0.29			SHGC (N / <1) 0.52 / 0.47				VT (N / <1) 0.63 / 0.57			CR	59
	142.094 SH / Opt 9 (ALU Refo LR/KR/BR/S, Foam): clr / arg / 80/70 (DS/DS) 3/4" IG											
	0.117	0.500	0.117					ARG90	0.095(#3)	CL	P1-S	N,G,S
	U-Factor 0.29			SHGC (N / <1) 0.55 / 0.50				VT (N / <1) 0.63 / 0.57			CR	59
741	142.094 SH / Opt 9 (ALU Refo LR/KR/BR/S, Foam): lami / arg / 80/70 (DS 090 DS/DS) 3/4" IG											
	0.264	0.345	0.117					ARG90	0.095(#3)	CL	P1-S	N,S
	U-Factor 0.31			SHGC (N / <1) 0.51 / 0.46				VT (N / <1) 0.62 / 0.56			CR	57
	142.094 SH / Opt 9 (ALU Refo LR/KR/BR/S, Foam): 80/70 / arg / lami (DS/DS 090 DS) 3/4" IG											
	0.117	0.345	0.264					ARG90	0.095(#2)	CL	P1-S	N,S
	U-Factor 0.31			SHGC (N / <1) 0.51 / 0.46				VT (N / <1) 0.62 / 0.56			CR	57
742	142.094 SH / Opt 9 (ALU Refo LR/KR/BR/S, Foam): lami / arg / 80/70 (DS 090 DS/DS) 3/4" IG											
	0.264	0.345	0.117					ARG90	0.095(#3)	CL	P1-S	G,S
	U-Factor 0.33			SHGC (<1) 0.46				VT (<1) 0.56			CR	57
	142.094 SH / Opt 9 (ALU Refo LR/KR/BR/S, Foam): 80/70 / arg / lami (DS/DS 090 DS) 3/4" IG											
	0.117	0.345	0.264					ARG90	0.095(#2)	CL	P1-S	G,S
	U-Factor 0.33			SHGC (<1) 0.46				VT (<1) 0.56			CR	57

**NFRC 100/200/500 Summary Sheet
 Windgate/Belmont/Stormgate Single Hung**

ID	Pane Thickness 1	Gap Width 1	Pane Thickness 2	Gap Width 2	Pane Thickness 3	Gap Width 3	Pane Thickness 4	Gap Fill	Low-e (Surface#)	Tint	Spacer	Grid Type
	U-Factor			Solar Heat Gain Coefficient (SHGC) Grids (None / <1 / >=1)				Visible Transmittance (VT) Grids (None / <1 / >=1)			Condensation Resistance	
743	142.094 SH / Opt 9 (ALU Refo LR/KR/BR/S, Foam): 80/70 / arg / clr / arg / 80/70 (SS/SS/SS) 3/4" IG											
	0.090	0.250	0.090	0.250	0.090			ARG90	0.095(#2) / 0.095(#5)	CL	P1-S	N,S
	U-Factor 0.25			SHGC (N / <1) 0.47 / 0.42				VT (N / <1) 0.58 / 0.51			CR 66	
744	142.094 SH / Opt 9 (ALU Refo LR/KR/BR/S, Foam): 80/70 / arg / clr / arg / 80/70 (SS/SS/SS) 3/4" IG											
	0.090	0.250	0.090	0.250	0.090			ARG90	0.095(#2) / 0.095(#5)	CL	P1-S	G,S
	U-Factor 0.26			SHGC (<1) 0.42				VT (<1) 0.51			CR 66	
745	142.094 SH / Opt 9 (ALU Refo LR/KR/BR/S, Foam): clr / air / clr (SS/SS) 3/4" IG											
	0.087	0.563	0.087					AIR		CL	SS-D	N,G,S
	U-Factor 0.46			SHGC (N / <1) 0.63 / 0.56				VT (N / <1) 0.65 / 0.58			CR 44	
746	142.094 SH / Opt 9 (ALU Refo LR/KR/BR/S, Foam): clr / air / clr (DS/DS) 3/4" IG											
	0.118	0.500	0.118					AIR		CL	SS-D	N,G,S
	U-Factor 0.46			SHGC (N / <1) 0.61 / 0.55				VT (N / <1) 0.65 / 0.58			CR 43	
747	142.094 SH / Opt 9 (ALU Refo LR/KR/BR/S, Foam): clr / air / clr (5mm/DS) 3/4" IG											
	0.185	0.438	0.118					AIR		CL	SS-D	N,G,S
	U-Factor 0.47			SHGC (N / <1) 0.59 / 0.53				VT (N / <1) 0.64 / 0.57			CR 43	
748	142.094 SH / Opt 9 (ALU Refo LR/KR/BR/S, Foam): clr / air / clr (5mm/DS) 3/4" IG											
	0.185	0.438	0.118					AIR		CL	SS-D	G
	U-Factor 0.47			SHGC (<1) 0.53				VT (<1) 0.57			CR 43	
749	142.094 SH / Opt 9 (ALU Refo LR/KR/BR/S, Foam): lami / air / clr (DS 090 DS/DS) 3/4" IG											
	0.264	0.345	0.118					AIR		CL	SS-D	N,S
	U-Factor 0.48			SHGC (N / <1) 0.56 / 0.51				VT (N / <1) 0.63 / 0.57			CR 42	
	142.094 SH / Opt 9 (ALU Refo LR/KR/BR/S, Foam): clr / air / lami (DS/DS 090 DS) 3/4" IG											
	0.118	0.345	0.264					AIR		CL	SS-D	N,S
	U-Factor 0.48			SHGC (N / <1) 0.59 / 0.53				VT (N / <1) 0.63 / 0.57			CR 42	
750	142.094 SH / Opt 9 (ALU Refo LR/KR/BR/S, Foam): lami / air / clr (DS 090 DS/DS) 3/4" IG											
	0.264	0.345	0.118					AIR		CL	SS-D	G,S
	U-Factor 0.49			SHGC (<1) 0.51				VT (<1) 0.57			CR 42	
	142.094 SH / Opt 9 (ALU Refo LR/KR/BR/S, Foam): clr / air / lami (DS/DS 090 DS) 3/4" IG											
	0.118	0.345	0.264					AIR		CL	SS-D	G,S
	U-Factor 0.49			SHGC (<1) 0.53				VT (<1) 0.57			CR 42	

**NFRC 100/200/500 Summary Sheet
 Windgate/Belmont/Stormgate Single Hung**

ID	Pane Thickness 1	Gap Width 1	Pane Thickness 2	Gap Width 2	Pane Thickness 3	Gap Width 3	Pane Thickness 4	Gap Fill	Low-e (Surface#)	Tint	Spacer	Grid Type
	U-Factor			Solar Heat Gain Coefficient (SHGC) Grids (None / <1 / >=1)				Visible Transmittance (VT) Grids (None / <1 / >=1)			Condensation Resistance	
751	142.094 SH / Opt 9 (ALU Refo LR/KR/BR/S, Foam): clr / air / clr / air / clr (SS/SS/SS) 3/4" IG (P1-S)											
	0.087	0.250	0.087	0.250	0.087			AIR		CL	SS-D	N,S
	U-Factor 0.38			SHGC (N / <1) 0.57 / 0.51				VT (N / <1) 0.60 / 0.54			CR 53	
752	142.094 SH / Opt 9 (ALU Refo LR/KR/BR/S, Foam): clr / air / clr / air / clr (SS/SS/SS) 3/4" IG (P1-S)											
	0.087	0.250	0.087	0.250	0.087			AIR		CL	SS-D	G,S
	U-Factor 0.39			SHGC (<1) 0.51				VT (<1) 0.54			CR 53	
753	142.094 SH / Opt 9 (ALU Refo LR/KR/BR/S, Foam): E270 / air / clr (SS/SS) 3/4" IG											
	0.087	0.563	0.087					AIR	0.037(#2)	CL	SS-D	N,G,S
	U-Factor 0.33			SHGC (N / <1) 0.30 / 0.27				VT (N / <1) 0.55 / 0.49			CR 55	
	142.094 SH / Opt 9 (ALU Refo LR/KR/BR/S, Foam): clr / air / E270 (SS/SS) 3/4" IG											
	0.087	0.563	0.087					AIR	0.037(#3)	CL	SS-D	N,G,S
	U-Factor 0.33			SHGC (N / <1) 0.37 / 0.33				VT (N / <1) 0.55 / 0.49			CR 55	
754	142.094 SH / Opt 9 (ALU Refo LR/KR/BR/S, Foam): E270 / arg / clr (SS/SS) 3/4" IG											
	0.087	0.563	0.087					ARG90	0.037(#2)	CL	SS-D	N,G,S
	U-Factor 0.29			SHGC (N / <1) 0.29 / 0.26				VT (N / <1) 0.55 / 0.49			CR 58	
	142.094 SH / Opt 9 (ALU Refo LR/KR/BR/S, Foam): clr / arg / E270 (SS/SS) 3/4" IG											
	0.087	0.563	0.087					ARG90	0.037(#3)	CL	SS-D	N,G,S
	U-Factor 0.29			SHGC (N / <1) 0.37 / 0.33				VT (N / <1) 0.55 / 0.49			CR 58	
755	142.094 SH / Opt 9 (ALU Refo LR/KR/BR/S, Foam): E270 / air / clr (DS/DS) 3/4" IG											
	0.118	0.500	0.118					AIR	0.037(#2)	CL	SS-D	N,G,S
	U-Factor 0.32			SHGC (N / <1) 0.30 / 0.27				VT (N / <1) 0.55 / 0.49			CR 54	
	142.094 SH / Opt 9 (ALU Refo LR/KR/BR/S, Foam): clr / air / E270 (DS/DS) 3/4" IG											
	0.118	0.500	0.118					AIR	0.037(#3)	CL	SS-D	N,G,S
	U-Factor 0.32			SHGC (N / <1) 0.36 / 0.33				VT (N / <1) 0.55 / 0.49			CR 54	
756	142.094 SH / Opt 9 (ALU Refo LR/KR/BR/S, Foam): E270 / arg / clr (DS/DS) 3/4" IG											
	0.118	0.500	0.118					ARG90	0.037(#2)	CL	SS-D	N,G,S
	U-Factor 0.29			SHGC (N / <1) 0.29 / 0.26				VT (N / <1) 0.55 / 0.49			CR 58	
	142.094 SH / Opt 9 (ALU Refo LR/KR/BR/S, Foam): clr / arg / E270 (DS/DS) 3/4" IG											
	0.118	0.500	0.118					ARG90	0.037(#3)	CL	SS-D	N,G,S
	U-Factor 0.29			SHGC (N / <1) 0.36 / 0.33				VT (N / <1) 0.55 / 0.49			CR 58	

**NFRC 100/200/500 Summary Sheet
Windgate/Belmont/Stormgate Single Hung**

ID	Pane Thickness 1	Gap Width 1	Pane Thickness 2	Gap Width 2	Pane Thickness 3	Gap Width 3	Pane Thickness 4	Gap Width 4	Gap Fill	Low-e (Surface#)	Tint	Spacer	Grid Type
	U-Factor			Solar Heat Gain Coefficient (SHGC) Grids (None / <1 / >=1)				Visible Transmittance (VT) Grids (None / <1 / >=1)			Condensation Resistance		
757	142.094 SH / Opt 9 (ALU Refo LR/KR/BR/S, Foam): lami / arg / E270 (DS 090 DS/DS) 3/4" IG												
	0.264	0.345	0.118						ARG90	0.037(#3)	CL	SS-D	N,S
	U-Factor 0.31			SHGC (N / <1) 0.35 / 0.31				VT (N / <1) 0.54 / 0.48			CR 56		
	142.094 SH / Opt 9 (ALU Refo LR/KR/BR/S, Foam): E270 / arg / lami (DS/DS 090 DS) 3/4" IG												
	0.118	0.345	0.264						ARG90	0.037(#2)	CL	SS-D	N,S
	U-Factor 0.31			SHGC (N / <1) 0.29 / 0.26				VT (N / <1) 0.54 / 0.48			CR 56		
758	142.094 SH / Opt 9 (ALU Refo LR/KR/BR/S, Foam): lami / arg / E270 (DS 090 DS/DS) 3/4" IG												
	0.264	0.345	0.118						ARG90	0.037(#3)	CL	SS-D	G,S
	U-Factor 0.32			SHGC (<1) 0.31				VT (<1) 0.48			CR 56		
	142.094 SH / Opt 9 (ALU Refo LR/KR/BR/S, Foam): E270 / arg / lami (DS/DS 090 DS) 3/4" IG												
	0.118	0.345	0.264						ARG90	0.037(#2)	CL	SS-D	G,S
	U-Factor 0.32			SHGC (<1) 0.26				VT (<1) 0.48			CR 56		
759	142.094 SH / Opt 9 (ALU Refo LR/KR/BR/S, Foam): E270 / arg / clr / arg / E270 (SS/SS/SS) 3/4" IG (SS-D)												
	0.087	0.266	0.087	0.266	0.087				ARG90	0.037(#2) / 0.037(#5)	CL	SS-D	N,S
	U-Factor 0.24			SHGC (N / <1) 0.25 / 0.23				VT (N / <1) 0.43 / 0.39			CR 64		
760	142.094 SH / Opt 9 (ALU Refo LR/KR/BR/S, Foam): E270 / arg / clr / arg / E270 (SS/SS/SS) 3/4" IG (SS-D)												
	0.087	0.266	0.087	0.266	0.087				ARG90	0.037(#2) / 0.037(#5)	CL	SS-D	G,S
	U-Factor 0.25			SHGC (<1) 0.23				VT (<1) 0.39			CR 64		
761	142.094 SH / Opt 9 (ALU Refo LR/KR/BR/S, Foam): E366 / air / clr (SS/SS) 3/4" IG												
	0.087	0.563	0.087						AIR	0.022(#2)	CL	SS-D	N,G,S
	U-Factor 0.32			SHGC (N / <1) 0.22 / 0.20				VT (N / <1) 0.51 / 0.46			CR 55		
	142.094 SH / Opt 9 (ALU Refo LR/KR/BR/S, Foam): clr / air / E366 (SS/SS) 3/4" IG												
	0.087	0.563	0.087						AIR	0.022(#3)	CL	SS-D	N,G,S
	U-Factor 0.32			SHGC (N / <1) 0.31 / 0.28				VT (N / <1) 0.51 / 0.46			CR 55		
762	142.094 SH / Opt 9 (ALU Refo LR/KR/BR/S, Foam): E366 / arg / clr (SS/SS) 3/4" IG												
	0.087	0.563	0.087						ARG90	0.022(#2)	CL	SS-D	N,G,S
	U-Factor 0.29			SHGC (N / <1) 0.22 / 0.20				VT (N / <1) 0.51 / 0.46			CR 59		
	142.094 SH / Opt 9 (ALU Refo LR/KR/BR/S, Foam): clr / arg / E366 (SS/SS) 3/4" IG												
	0.087	0.563	0.087						ARG90	0.022(#3)	CL	SS-D	N,G,S
	U-Factor 0.29			SHGC (N / <1) 0.31 / 0.28				VT (N / <1) 0.51 / 0.46			CR 59		

**NFRC 100/200/500 Summary Sheet
 Windgate/Belmont/Stormgate Single Hung**

ID	Pane Thickness 1	Gap Width 1	Pane Thickness 2	Gap Width 2	Pane Thickness 3	Gap Width 3	Pane Thickness 4	Gap Fill	Low-e (Surface#)	Tint	Spacer	Grid Type
	U-Factor			Solar Heat Gain Coefficient (SHGC) Grids (None / <1 / >=1)				Visible Transmittance (VT) Grids (None / <1 / >=1)			Condensation Resistance	
763	142.094 SH / Opt 9 (ALU Refo LR/KR/BR/S, Foam): E366 / air / clr (DS/DS) 3/4" IG											
	0.117	0.500	0.118					AIR	0.022(#2)	CL	SS-D	N,G,S
	U-Factor 0.32			SHGC (N / <1) 0.22 / 0.20				VT (N / <1) 0.51 / 0.45			CR 55	
	142.094 SH / Opt 9 (ALU Refo LR/KR/BR/S, Foam): clr / air / E366 (DS/DS) 3/4" IG											
	0.118	0.500	0.117					AIR	0.022(#3)	CL	SS-D	N,G,S
	U-Factor 0.32			SHGC (N / <1) 0.30 / 0.28				VT (N / <1) 0.51 / 0.45			CR 55	
764	142.094 SH / Opt 9 (ALU Refo LR/KR/BR/S, Foam): E366 / arg / clr (DS/DS) 3/4" IG											
	0.117	0.500	0.118					ARG90	0.022(#2)	CL	SS-D	N,G,S
	U-Factor 0.28			SHGC (N / <1) 0.22 / 0.20				VT (N / <1) 0.51 / 0.45			CR 58	
	142.094 SH / Opt 9 (ALU Refo LR/KR/BR/S, Foam): clr / arg / E366 (DS/DS) 3/4" IG											
	0.118	0.500	0.117					ARG90	0.022(#3)	CL	SS-D	N,G,S
	U-Factor 0.28			SHGC (N / <1) 0.31 / 0.28				VT (N / <1) 0.51 / 0.45			CR 58	
765	142.094 SH / Opt 9 (ALU Refo LR/KR/BR/S, Foam): lami / arg / E366 (DS 090 DS/DS) 3/4" IG											
	0.264	0.345	0.117					ARG90	0.022(#3)	CL	SS-D	N,S
	U-Factor 0.30			SHGC (N / <1) 0.29 / 0.27				VT (N / <1) 0.50 / 0.44			CR 56	
	142.094 SH / Opt 9 (ALU Refo LR/KR/BR/S, Foam): E366 / arg / lami (DS/DS 090 DS) 3/4" IG											
	0.117	0.345	0.264					ARG90	0.022(#2)	CL	SS-D	N,S
	U-Factor 0.30			SHGC (N / <1) 0.22 / 0.20				VT (N / <1) 0.50 / 0.44			CR 56	
766	142.094 SH / Opt 9 (ALU Refo LR/KR/BR/S, Foam): lami / arg / E366 (DS 090 DS/DS) 3/4" IG											
	0.264	0.345	0.117					ARG90	0.022(#3)	CL	SS-D	G,S
	U-Factor 0.32			SHGC (<1) 0.27				VT (<1) 0.44			CR 56	
	142.094 SH / Opt 9 (ALU Refo LR/KR/BR/S, Foam): E366 / arg / lami (DS/DS 090 DS) 3/4" IG											
	0.117	0.345	0.264					ARG90	0.022(#2)	CL	SS-D	G,S
	U-Factor 0.32			SHGC (<1) 0.20				VT (<1) 0.44			CR 56	
767	142.094 SH / Opt 9 (ALU Refo LR/KR/BR/S, Foam): E366 / arg / clr / arg / E366 (SS/SS/SS) 3/4" IG (SS-D)											
	0.087	0.266	0.087	0.266	0.087			ARG90	0.022(#2) / 0.022(#5)	CL	SS-D	N,S
	U-Factor 0.24			SHGC (N / <1) 0.19 / 0.17				VT (N / <1) 0.37 / 0.33			CR 64	
768	142.094 SH / Opt 9 (ALU Refo LR/KR/BR/S, Foam): E366 / arg / clr / arg / E366 (SS/SS/SS) 3/4" IG (SS-D)											
	0.087	0.266	0.087	0.266	0.087			ARG90	0.022(#2) / 0.022(#5)	CL	SS-D	G,S
	U-Factor 0.25			SHGC (<1) 0.17				VT (<1) 0.33			CR 64	

NFRC 100/200/500 Summary Sheet Windgate/Belmont/Stormgate Single Hung

ID	Pane Thickness 1	Gap Width 1	Pane Thickness 2	Gap Width 2	Pane Thickness 3	Gap Width 3	Pane Thickness 4	Gap Fill	Low-e (Surface#)	Tint	Spacer	Grid Type
	U-Factor			Solar Heat Gain Coefficient (SHGC) Grids (None / <1 / >=1)				Visible Transmittance (VT) Grids (None / <1 / >=1)			Condensation Resistance	
769	142.094 SH / Opt 9 (ALU Refo LR/KR/BR/S, Foam): clr / air / clr (SS/SS) 3/4" IG											
	0.087	0.563	0.087					AIR		CL	TS-D	N,G,S
	U-Factor 0.46			SHGC (N / <1) 0.63 / 0.56				VT (N / <1) 0.65 / 0.58			CR 44	
770	142.094 SH / Opt 9 (ALU Refo LR/KR/BR/S, Foam): clr / air / clr (DS/DS) 3/4" IG											
	0.118	0.500	0.118					AIR		CL	TS-D	N,G,S
	U-Factor 0.46			SHGC (N / <1) 0.61 / 0.55				VT (N / <1) 0.65 / 0.58			CR 43	
771	142.094 SH / Opt 9 (ALU Refo LR/KR/BR/S, Foam): clr / air / clr (5mm/DS) 3/4" IG											
	0.185	0.438	0.118					AIR		CL	TS-D	N,G,S
	U-Factor 0.47			SHGC (N / <1) 0.59 / 0.53				VT (N / <1) 0.64 / 0.57			CR 42	
772	142.094 SH / Opt 9 (ALU Refo LR/KR/BR/S, Foam): clr / air / clr (5mm/DS) 3/4" IG											
	0.185	0.438	0.118					AIR		CL	TS-D	G
	U-Factor 0.47			SHGC (<1) 0.53				VT (<1) 0.57			CR 42	
773	142.094 SH / Opt 9 (ALU Refo LR/KR/BR/S, Foam): lami / air / clr (DS 090 DS/DS) 3/4" IG											
	0.264	0.345	0.118					AIR		CL	TS-D	N,S
	U-Factor 0.48			SHGC (N / <1) 0.56 / 0.51				VT (N / <1) 0.63 / 0.57			CR 42	
	142.094 SH / Opt 9 (ALU Refo LR/KR/BR/S, Foam): clr / air / lami (DS/DS 090 DS) 3/4" IG											
	0.118	0.345	0.264					AIR		CL	TS-D	N,S
	U-Factor 0.48			SHGC (N / <1) 0.59 / 0.53				VT (N / <1) 0.63 / 0.57			CR 42	
774	142.094 SH / Opt 9 (ALU Refo LR/KR/BR/S, Foam): lami / air / clr (DS 090 DS/DS) 3/4" IG											
	0.264	0.345	0.118					AIR		CL	TS-D	G,S
	U-Factor 0.49			SHGC (<1) 0.51				VT (<1) 0.57			CR 42	
	142.094 SH / Opt 9 (ALU Refo LR/KR/BR/S, Foam): clr / air / lami (DS/DS 090 DS) 3/4" IG											
	0.118	0.345	0.264					AIR		CL	TS-D	G,S
	U-Factor 0.49			SHGC (<1) 0.53				VT (<1) 0.57			CR 42	
775	142.094 SH / Opt 9 (ALU Refo LR/KR/BR/S, Foam): clr / air / clr / air / clr (SS/SS/SS) 3/4" IG (P1-S)											
	0.087	0.250	0.087	0.250	0.087			AIR		CL	TS-D	N,S
	U-Factor 0.39			SHGC (N / <1) 0.57 / 0.51				VT (N / <1) 0.60 / 0.54			CR 51	
776	142.094 SH / Opt 9 (ALU Refo LR/KR/BR/S, Foam): clr / air / clr / air / clr (SS/SS/SS) 3/4" IG (P1-S)											
	0.087	0.250	0.087	0.250	0.087			AIR		CL	TS-D	G,S
	U-Factor 0.40			SHGC (<1) 0.51				VT (<1) 0.54			CR 51	

**NFRC 100/200/500 Summary Sheet
Windgate/Belmont/Stormgate Single Hung**

ID	Pane Thickness 1	Gap Width 1	Pane Thickness 2	Gap Width 2	Pane Thickness 3	Gap Width 3	Pane Thickness 4	Gap Fill	Low-e (Surface#)	Tint	Spacer	Grid Type
	U-Factor			Solar Heat Gain Coefficient (SHGC) Grids (None / <1 / >=1)				Visible Transmittance (VT) Grids (None / <1 / >=1)			Condensation Resistance	
777	142.094 SH / Opt 9 (ALU Refo LR/KR/BR/S, Foam): 70/36 / air / clr (SS/SS) 3/4" IG											
	0.090	0.563	0.090					AIR	0.036(#2)	CL	TS-D	N,G,S
	U-Factor 0.33			SHGC (N / <1) 0.31 / 0.28				VT (N / <1) 0.55 / 0.49			CR 54	
	142.094 SH / Opt 9 (ALU Refo LR/KR/BR/S, Foam): clr / air / 70/36 (SS/SS) 3/4" IG											
	0.090	0.563	0.090					AIR	0.036(#3)	CL	TS-D	N,G,S
	U-Factor 0.33			SHGC (N / <1) 0.39 / 0.35				VT (N / <1) 0.55 / 0.49			CR 54	
778	142.094 SH / Opt 9 (ALU Refo LR/KR/BR/S, Foam): 70/36 / arg / clr (SS/SS) 3/4" IG											
	0.090	0.563	0.090					ARG90	0.036(#2)	CL	TS-D	N,G,S
	U-Factor 0.29			SHGC (N / <1) 0.31 / 0.28				VT (N / <1) 0.55 / 0.49			CR 57	
	142.094 SH / Opt 9 (ALU Refo LR/KR/BR/S, Foam): clr / arg / 70/36 (SS/SS) 3/4" IG											
	0.090	0.563	0.090					ARG90	0.036(#3)	CL	TS-D	N,G,S
	U-Factor 0.29			SHGC (N / <1) 0.39 / 0.35				VT (N / <1) 0.55 / 0.49			CR 57	
779	142.094 SH / Opt 9 (ALU Refo LR/KR/BR/S, Foam): 70/36 / air / clr (DS/DS) 3/4" IG											
	0.117	0.500	0.117					AIR	0.036(#2)	CL	TS-D	N,G,S
	U-Factor 0.33			SHGC (N / <1) 0.31 / 0.28				VT (N / <1) 0.55 / 0.49			CR 53	
	142.094 SH / Opt 9 (ALU Refo LR/KR/BR/S, Foam): clr / air / 70/36 (DS/DS) 3/4" IG											
	0.117	0.500	0.117					AIR	0.036(#3)	CL	TS-D	N,G,S
	U-Factor 0.33			SHGC (N / <1) 0.38 / 0.34				VT (N / <1) 0.55 / 0.49			CR 53	
780	142.094 SH / Opt 9 (ALU Refo LR/KR/BR/S, Foam): 70/36 / arg / clr (DS/DS) 3/4" IG											
	0.117	0.500	0.117					ARG90	0.036(#2)	CL	TS-D	N,G,S
	U-Factor 0.29			SHGC (N / <1) 0.30 / 0.27				VT (N / <1) 0.55 / 0.49			CR 56	
	142.094 SH / Opt 9 (ALU Refo LR/KR/BR/S, Foam): clr / arg / 70/36 (DS/DS) 3/4" IG											
	0.117	0.500	0.117					ARG90	0.036(#3)	CL	TS-D	N,G,S
	U-Factor 0.29			SHGC (N / <1) 0.38 / 0.35				VT (N / <1) 0.55 / 0.49			CR 56	
781	142.094 SH / Opt 9 (ALU Refo LR/KR/BR/S, Foam): lami / arg / 70/36 (DS 090 DS/DS) 3/4" IG											
	0.264	0.345	0.117					ARG90	0.036(#3)	CL	TS-D	N,S
	U-Factor 0.31			SHGC (N / <1) 0.36 / 0.33				VT (N / <1) 0.54 / 0.48			CR 54	
	142.094 SH / Opt 9 (ALU Refo LR/KR/BR/S, Foam): 70/36 / arg / lami (DS/DS 090 DS) 3/4" IG											
	0.117	0.345	0.264					ARG90	0.036(#2)	CL	TS-D	N,S
	U-Factor 0.31			SHGC (N / <1) 0.30 / 0.27				VT (N / <1) 0.54 / 0.48			CR 54	

**NFRC 100/200/500 Summary Sheet
Windgate/Belmont/Stormgate Single Hung**

ID	Pane Thickness 1	Gap Width 1	Pane Thickness 2	Gap Width 2	Pane Thickness 3	Gap Width 3	Pane Thickness 4	Gap Fill	Low-e (Surface#)	Tint	Spacer	Grid Type
	U-Factor			Solar Heat Gain Coefficient (SHGC) Grids (None / <1 / >=1)				Visible Transmittance (VT) Grids (None / <1 / >=1)			Condensation Resistance	
782	142.094 SH / Opt 9 (ALU Refo LR/KR/BR/S, Foam): lami / arg / 70/36 (DS 090 DS DS) 3/4" IG											
	0.264	0.345	0.117					ARG90	0.036(#3)	CL	TS-D	G,S
	U-Factor 0.32			SHGC (<1) 0.33				VT (<1) 0.48			CR 54	
	142.094 SH / Opt 9 (ALU Refo LR/KR/BR/S, Foam): 70/36 / arg / lami (DS DS 090 DS) 3/4" IG											
	0.117	0.345	0.264					ARG90	0.036(#2)	CL	TS-D	G,S
	U-Factor 0.32			SHGC (<1) 0.27				VT (<1) 0.48			CR 54	
783	142.094 SH / Opt 9 (ALU Refo LR/KR/BR/S, Foam): 70/36 / arg / clr / arg / 70/36 (SS SS SS) 3/4" IG											
	0.090	0.250	0.090	0.250	0.090			ARG90	0.036(#2) / 0.036(#5)	CL	TS-D	N,S
	U-Factor 0.25			SHGC (N / <1) 0.26 / 0.24				VT (N / <1) 0.43 / 0.39			CR 63	
784	142.094 SH / Opt 9 (ALU Refo LR/KR/BR/S, Foam): 70/36 / arg / clr / arg / 70/36 (SS SS SS) 3/4" IG											
	0.090	0.250	0.090	0.250	0.090			ARG90	0.036(#2) / 0.036(#5)	CL	TS-D	G,S
	U-Factor 0.26			SHGC (<1) 0.24				VT (<1) 0.39			CR 63	
785	142.094 SH / Opt 9 (ALU Refo LR/KR/BR/S, Foam): 80/70 / air / clr (SS SS) 3/4" IG											
	0.090	0.563	0.090					AIR	0.095(#2)	CL	TS-D	N,G,S
	U-Factor 0.34			SHGC (N / <1) 0.53 / 0.48				VT (N / <1) 0.64 / 0.57			CR 53	
	142.094 SH / Opt 9 (ALU Refo LR/KR/BR/S, Foam): clr / air / 80/70 (SS SS) 3/4" IG											
	0.090	0.563	0.090					AIR	0.095(#3)	CL	TS-D	N,G,S
	U-Factor 0.34			SHGC (N / <1) 0.56 / 0.50				VT (N / <1) 0.64 / 0.57			CR 53	
786	142.094 SH / Opt 9 (ALU Refo LR/KR/BR/S, Foam): 80/70 / arg / clr (SS SS) 3/4" IG											
	0.090	0.563	0.090					ARG90	0.095(#2)	CL	TS-D	N,G,S
	U-Factor 0.31			SHGC (N / <1) 0.53 / 0.48				VT (N / <1) 0.64 / 0.57			CR 56	
	142.094 SH / Opt 9 (ALU Refo LR/KR/BR/S, Foam): clr / arg / 80/70 (SS SS) 3/4" IG											
	0.090	0.563	0.090					ARG90	0.095(#3)	CL	TS-D	N,G,S
	U-Factor 0.31			SHGC (N / <1) 0.56 / 0.50				VT (N / <1) 0.64 / 0.57			CR 56	
787	142.094 SH / Opt 9 (ALU Refo LR/KR/BR/S, Foam): 80/70 / air / clr (DS DS) 3/4" IG											
	0.117	0.500	0.117					AIR	0.095(#2)	CL	TS-D	N,G,S
	U-Factor 0.34			SHGC (N / <1) 0.52 / 0.47				VT (N / <1) 0.63 / 0.57			CR 52	
	142.094 SH / Opt 9 (ALU Refo LR/KR/BR/S, Foam): clr / air / 80/70 (DS DS) 3/4" IG											
	0.117	0.500	0.117					AIR	0.095(#3)	CL	TS-D	N,G,S
	U-Factor 0.34			SHGC (N / <1) 0.55 / 0.50				VT (N / <1) 0.63 / 0.57			CR 52	

**NFRC 100/200/500 Summary Sheet
Windgate/Belmont/Stormgate Single Hung**

ID	Pane Thickness 1	Gap Width 1	Pane Thickness 2	Gap Width 2	Pane Thickness 3	Gap Width 3	Pane Thickness 4	Gap Width 4	Gap Fill	Low-e (Surface#)	Tint	Spacer	Grid Type
	U-Factor			Solar Heat Gain Coefficient (SHGC) Grids (None / <1 / >=1)				Visible Transmittance (VT) Grids (None / <1 / >=1)			Condensation Resistance		
788	142.094 SH / Opt 9 (ALU Refo LR/KR/BR/S, Foam): 80/70 / arg / clr (DS/DS) 3/4" IG												
	0.117	0.500	0.117						ARG90	0.095(#2)	CL	TS-D	N,G,S
	U-Factor 0.31			SHGC (N / <1) 0.52 / 0.47				VT (N / <1) 0.63 / 0.57			CR 55		
	142.094 SH / Opt 9 (ALU Refo LR/KR/BR/S, Foam): clr / arg / 80/70 (DS/DS) 3/4" IG												
	0.117	0.500	0.117						ARG90	0.095(#3)	CL	TS-D	N,G,S
	U-Factor 0.31			SHGC (N / <1) 0.55 / 0.50				VT (N / <1) 0.63 / 0.57			CR 55		
789	142.094 SH / Opt 9 (ALU Refo LR/KR/BR/S, Foam): lami / arg / 80/70 (DS 090 DS/DS) 3/4" IG												
	0.264	0.345	0.117						ARG90	0.095(#3)	CL	TS-D	N,S
	U-Factor 0.33			SHGC (N / <1) 0.51 / 0.46				VT (N / <1) 0.62 / 0.56			CR 53		
	142.094 SH / Opt 9 (ALU Refo LR/KR/BR/S, Foam): 80/70 / arg / lami (DS/DS 090 DS) 3/4" IG												
	0.117	0.345	0.264						ARG90	0.095(#2)	CL	TS-D	N,S
	U-Factor 0.33			SHGC (N / <1) 0.51 / 0.46				VT (N / <1) 0.62 / 0.56			CR 53		
790	142.094 SH / Opt 9 (ALU Refo LR/KR/BR/S, Foam): lami / arg / 80/70 (DS 090 DS/DS) 3/4" IG												
	0.264	0.345	0.117						ARG90	0.095(#3)	CL	TS-D	G,S
	U-Factor 0.34			SHGC (<1) 0.46				VT (<1) 0.56			CR 53		
	142.094 SH / Opt 9 (ALU Refo LR/KR/BR/S, Foam): 80/70 / arg / lami (DS/DS 090 DS) 3/4" IG												
	0.117	0.345	0.264						ARG90	0.095(#2)	CL	TS-D	G,S
	U-Factor 0.34			SHGC (<1) 0.46				VT (<1) 0.56			CR 53		
791	142.094 SH / Opt 9 (ALU Refo LR/KR/BR/S, Foam): 80/70 / arg / clr / arg / 80/70 (SS/SS/SS) 3/4" IG												
	0.090	0.250	0.090	0.250	0.090				ARG90	0.095(#2) / 0.095(#5)	CL	TS-D	N,S
	U-Factor 0.26			SHGC (N / <1) 0.47 / 0.42				VT (N / <1) 0.58 / 0.51			CR 63		
792	142.094 SH / Opt 9 (ALU Refo LR/KR/BR/S, Foam): 80/70 / arg / clr / arg / 80/70 (SS/SS/SS) 3/4" IG												
	0.090	0.250	0.090	0.250	0.090				ARG90	0.095(#2) / 0.095(#5)	CL	TS-D	G,S
	U-Factor 0.27			SHGC (<1) 0.42				VT (<1) 0.51			CR 63		
793	142.094 SH / Opt 10 (Heavy ALU Refo LR/KR/BR/S, Foam): clr / air / clr (SS/SS) 3/4" IG												
	0.087	0.563	0.087						AIR		CL	P1-S	N,G,S
	U-Factor 0.46			SHGC (N / <1) 0.63 / 0.56				VT (N / <1) 0.65 / 0.58			CR 45		
794	142.094 SH / Opt 10 (Heavy ALU Refo LR/KR/BR/S, Foam): clr / air / clr (DS/DS) 3/4" IG												
	0.118	0.500	0.118						AIR		CL	P1-S	N,G,S
	U-Factor 0.46			SHGC (N / <1) 0.61 / 0.55				VT (N / <1) 0.65 / 0.58			CR 45		

**NFRC 100/200/500 Summary Sheet
Windgate/Belmont/Stormgate Single Hung**

ID	Pane Thickness 1	Gap Width 1	Pane Thickness 2	Gap Width 2	Pane Thickness 3	Gap Width 3	Pane Thickness 4	Gap Fill	Low-e (Surface#)	Tint	Spacer	Grid Type
	U-Factor			Solar Heat Gain Coefficient (SHGC) Grids (None / <1 / >=1)				Visible Transmittance (VT) Grids (None / <1 / >=1)			Condensation Resistance	
795	142.094 SH / Opt 10 (Heavy ALU Refo LR/KR/BR/S, Foam): clr / air / clr (5mm/DS) 3/4" IG											
	0.185	0.438	0.118					AIR		CL	P1-S	N,G,S
	U-Factor 0.46			SHGC (N / <1) 0.59 / 0.53				VT (N / <1) 0.64 / 0.57			CR	44
796	142.094 SH / Opt 10 (Heavy ALU Refo LR/KR/BR/S, Foam): clr / air / clr (5mm/DS) 3/4" IG											
	0.185	0.438	0.118					AIR		CL	P1-S	G
	U-Factor 0.47			SHGC (<1) 0.53				VT (<1) 0.57			CR	44
797	142.094 SH / Opt 10 (Heavy ALU Refo LR/KR/BR/S, Foam): lami / air / clr (DS 090 DS/DS) 3/4" IG											
	0.264	0.345	0.118					AIR		CL	P1-S	N,S
	U-Factor 0.47			SHGC (N / <1) 0.56 / 0.51				VT (N / <1) 0.63 / 0.57			CR	44
	142.094 SH / Opt 10 (Heavy ALU Refo LR/KR/BR/S, Foam): clr / air / lami (DS/DS 090 DS) 3/4" IG											
	0.118	0.345	0.264					AIR		CL	P1-S	N,S
	U-Factor 0.47			SHGC (N / <1) 0.59 / 0.53				VT (N / <1) 0.63 / 0.57			CR	44
798	142.094 SH / Opt 10 (Heavy ALU Refo LR/KR/BR/S, Foam): lami / air / clr (DS 090 DS/DS) 3/4" IG											
	0.264	0.345	0.118					AIR		CL	P1-S	G,S
	U-Factor 0.48			SHGC (<1) 0.51				VT (<1) 0.57			CR	44
	142.094 SH / Opt 10 (Heavy ALU Refo LR/KR/BR/S, Foam): clr / air / lami (DS/DS 090 DS) 3/4" IG											
	0.118	0.345	0.264					AIR		CL	P1-S	G,S
	U-Factor 0.48			SHGC (<1) 0.53				VT (<1) 0.57			CR	44
799	142.094 SH / Opt 10 (Heavy ALU Refo LR/KR/BR/S, Foam): clr / air / clr / air / clr (SS/SS/SS) 3/4" IG (P1-S)											
	0.087	0.250	0.087	0.250	0.087			AIR		CL	P1-S	N,S
	U-Factor 0.38			SHGC (N / <1) 0.57 / 0.51				VT (N / <1) 0.60 / 0.54			CR	54
800	142.094 SH / Opt 10 (Heavy ALU Refo LR/KR/BR/S, Foam): clr / air / clr / air / clr (SS/SS/SS) 3/4" IG (P1-S)											
	0.087	0.250	0.087	0.250	0.087			AIR		CL	P1-S	G,S
	U-Factor 0.39			SHGC (<1) 0.51				VT (<1) 0.54			CR	54
801	142.094 SH / Opt 10 (Heavy ALU Refo LR/KR/BR/S, Foam): E270 / air / clr (SS/SS) 3/4" IG											
	0.087	0.563	0.087					AIR	0.037(#2)	CL	P1-S	N,G,S
	U-Factor 0.32			SHGC (N / <1) 0.30 / 0.27				VT (N / <1) 0.55 / 0.49			CR	57
	142.094 SH / Opt 10 (Heavy ALU Refo LR/KR/BR/S, Foam): clr / air / E270 (SS/SS) 3/4" IG											
	0.087	0.563	0.087					AIR	0.037(#3)	CL	P1-S	N,G,S
	U-Factor 0.32			SHGC (N / <1) 0.37 / 0.33				VT (N / <1) 0.55 / 0.49			CR	57

**NFRC 100/200/500 Summary Sheet
Windgate/Belmont/Stormgate Single Hung**

ID	Pane Thickness 1	Gap Width 1	Pane Thickness 2	Gap Width 2	Pane Thickness 3	Gap Width 3	Pane Thickness 4	Gap Fill	Low-e (Surface#)	Tint	Spacer	Grid Type
	U-Factor			Solar Heat Gain Coefficient (SHGC) Grids (None / <1 / >=1)				Visible Transmittance (VT) Grids (None / <1 / >=1)			Condensation Resistance	
802	142.094 SH / Opt 10 (Heavy ALU Refo LR/KR/BR/S, Foam): E270 / arg / clr (SS/SS) 3/4" IG											
	0.087	0.563	0.087					ARG90	0.037(#2)	CL	P1-S	N,G,S
	U-Factor 0.28			SHGC (N / <1) 0.29 / 0.26				VT (N / <1) 0.55 / 0.49			CR	61
	142.094 SH / Opt 10 (Heavy ALU Refo LR/KR/BR/S, Foam): clr / arg / E270 (SS/SS) 3/4" IG											
	0.087	0.563	0.087					ARG90	0.037(#3)	CL	P1-S	N,G,S
	U-Factor 0.28			SHGC (N / <1) 0.37 / 0.33				VT (N / <1) 0.55 / 0.49			CR	61
803	142.094 SH / Opt 10 (Heavy ALU Refo LR/KR/BR/S, Foam): E270 / air / clr (DS/DS) 3/4" IG											
	0.118	0.500	0.118					AIR	0.037(#2)	CL	P1-S	N,G,S
	U-Factor 0.31			SHGC (N / <1) 0.30 / 0.27				VT (N / <1) 0.55 / 0.49			CR	57
	142.094 SH / Opt 10 (Heavy ALU Refo LR/KR/BR/S, Foam): clr / air / E270 (DS/DS) 3/4" IG											
	0.118	0.500	0.118					AIR	0.037(#3)	CL	P1-S	N,G,S
	U-Factor 0.31			SHGC (N / <1) 0.36 / 0.33				VT (N / <1) 0.55 / 0.49			CR	57
804	142.094 SH / Opt 10 (Heavy ALU Refo LR/KR/BR/S, Foam): E270 / arg / clr (DS/DS) 3/4" IG											
	0.118	0.500	0.118					ARG90	0.037(#2)	CL	P1-S	N,G,S
	U-Factor 0.28			SHGC (N / <1) 0.29 / 0.26				VT (N / <1) 0.55 / 0.49			CR	60
	142.094 SH / Opt 10 (Heavy ALU Refo LR/KR/BR/S, Foam): clr / arg / E270 (DS/DS) 3/4" IG											
	0.118	0.500	0.118					ARG90	0.037(#3)	CL	P1-S	N,G,S
	U-Factor 0.28			SHGC (N / <1) 0.36 / 0.33				VT (N / <1) 0.55 / 0.49			CR	60
805	142.094 SH / Opt 10 (Heavy ALU Refo LR/KR/BR/S, Foam): lami / arg / E270 (DS 090 DS/DS) 3/4" IG											
	0.264	0.345	0.118					ARG90	0.037(#3)	CL	P1-S	N,S
	U-Factor 0.30			SHGC (N / <1) 0.35 / 0.31				VT (N / <1) 0.54 / 0.48			CR	58
	142.094 SH / Opt 10 (Heavy ALU Refo LR/KR/BR/S, Foam): E270 / arg / lami (DS/DS 090 DS) 3/4" IG											
	0.118	0.345	0.264					ARG90	0.037(#2)	CL	P1-S	N,S
	U-Factor 0.30			SHGC (N / <1) 0.29 / 0.26				VT (N / <1) 0.54 / 0.48			CR	58
806	142.094 SH / Opt 10 (Heavy ALU Refo LR/KR/BR/S, Foam): lami / arg / E270 (DS 090 DS/DS) 3/4" IG											
	0.264	0.345	0.118					ARG90	0.037(#3)	CL	P1-S	G,S
	U-Factor 0.31			SHGC (<1) 0.31				VT (<1) 0.48			CR	58
	142.094 SH / Opt 10 (Heavy ALU Refo LR/KR/BR/S, Foam): E270 / arg / lami (DS/DS 090 DS) 3/4" IG											
	0.118	0.345	0.264					ARG90	0.037(#2)	CL	P1-S	G,S
	U-Factor 0.31			SHGC (<1) 0.26				VT (<1) 0.48			CR	58

**NFRC 100/200/500 Summary Sheet
Windgate/Belmont/Stormgate Single Hung**

ID	Pane Thickness 1	Gap Width 1	Pane Thickness 2	Gap Width 2	Pane Thickness 3	Gap Width 3	Pane Thickness 4	Gap Fill	Low-e (Surface#)	Tint	Spacer	Grid Type
	U-Factor			Solar Heat Gain Coefficient (SHGC) Grids (None / <1 / >=1)				Visible Transmittance (VT) Grids (None / <1 / >=1)			Condensation Resistance	
807	142.094 SH / Opt 10 (Heavy ALU Refo LR/KR/BR/S, Foam): E270 / arg / clr / arg / E270 (SS/SS/SS) 3/4" IG (P1-S)											
	0.087	0.250	0.087	0.250	0.087			ARG90	0.037(#2) / 0.037(#5)	CL	P1-S	N,S
	U-Factor 0.24			SHGC (N / <1) 0.25 / 0.23				VT (N / <1) 0.43 / 0.39			CR 66	
808	142.094 SH / Opt 10 (Heavy ALU Refo LR/KR/BR/S, Foam): E270 / arg / clr / arg / E270 (SS/SS/SS) 3/4" IG (P1-S)											
	0.087	0.250	0.087	0.250	0.087			ARG90	0.037(#2) / 0.037(#5)	CL	P1-S	G,S
	U-Factor 0.25			SHGC (<1) 0.23				VT (<1) 0.39			CR 66	
809	142.094 SH / Opt 10 (Heavy ALU Refo LR/KR/BR/S, Foam): E366 / air / clr (SS/SS) 3/4" IG											
	0.087	0.563	0.087					AIR	0.022(#2)	CL	P1-S	N,G,S
	U-Factor 0.31			SHGC (N / <1) 0.22 / 0.20				VT (N / <1) 0.51 / 0.46			CR 58	
	142.094 SH / Opt 10 (Heavy ALU Refo LR/KR/BR/S, Foam): clr / air / E366 (SS/SS) 3/4" IG											
	0.087	0.563	0.087					AIR	0.022(#3)	CL	P1-S	N,G,S
	U-Factor 0.31			SHGC (N / <1) 0.31 / 0.28				VT (N / <1) 0.51 / 0.46			CR 58	
810	142.094 SH / Opt 10 (Heavy ALU Refo LR/KR/BR/S, Foam): E366 / arg / clr (SS/SS) 3/4" IG											
	0.087	0.563	0.087					ARG90	0.022(#2)	CL	P1-S	N,G,S
	U-Factor 0.28			SHGC (N / <1) 0.22 / 0.20				VT (N / <1) 0.51 / 0.46			CR 62	
	142.094 SH / Opt 10 (Heavy ALU Refo LR/KR/BR/S, Foam): clr / arg / E366 (SS/SS) 3/4" IG											
	0.087	0.563	0.087					ARG90	0.022(#3)	CL	P1-S	N,G,S
	U-Factor 0.28			SHGC (N / <1) 0.31 / 0.28				VT (N / <1) 0.51 / 0.46			CR 62	
811	142.094 SH / Opt 10 (Heavy ALU Refo LR/KR/BR/S, Foam): E366 / air / clr (DS/DS) 3/4" IG											
	0.117	0.500	0.118					AIR	0.022(#2)	CL	P1-S	N,G,S
	U-Factor 0.31			SHGC (N / <1) 0.22 / 0.20				VT (N / <1) 0.51 / 0.45			CR 57	
	142.094 SH / Opt 10 (Heavy ALU Refo LR/KR/BR/S, Foam): clr / air / E366 (DS/DS) 3/4" IG											
	0.118	0.500	0.117					AIR	0.022(#3)	CL	P1-S	N,G,S
	U-Factor 0.31			SHGC (N / <1) 0.30 / 0.28				VT (N / <1) 0.51 / 0.45			CR 57	
812	142.094 SH / Opt 10 (Heavy ALU Refo LR/KR/BR/S, Foam): E366 / arg / clr (DS/DS) 3/4" IG											
	0.117	0.500	0.118					ARG90	0.022(#2)	CL	P1-S	N,G,S
	U-Factor 0.27			SHGC (N / <1) 0.22 / 0.20				VT (N / <1) 0.51 / 0.45			CR 61	
	142.094 SH / Opt 10 (Heavy ALU Refo LR/KR/BR/S, Foam): clr / arg / E366 (DS/DS) 3/4" IG											
	0.118	0.500	0.117					ARG90	0.022(#3)	CL	P1-S	N,G,S
	U-Factor 0.27			SHGC (N / <1) 0.31 / 0.28				VT (N / <1) 0.51 / 0.45			CR 61	

**NFRC 100/200/500 Summary Sheet
Windgate/Belmont/Stormgate Single Hung**

ID	Pane Thickness 1	Gap Width 1	Pane Thickness 2	Gap Width 2	Pane Thickness 3	Gap Width 3	Pane Thickness 4	Gap Fill	Low-e (Surface#)	Tint	Spacer	Grid Type
	U-Factor			Solar Heat Gain Coefficient (SHGC) Grids (None / <1 / >=1)				Visible Transmittance (VT) Grids (None / <1 / >=1)			Condensation Resistance	
813	142.094 SH / Opt 10 (Heavy ALU Refo LR/KR/BR/S, Foam): lami / arg / E366 (DS 090 DS/DS) 3/4" IG											
	0.264	0.345	0.117					ARG90	0.022(#3)	CL	P1-S	N,S
	U-Factor 0.29			SHGC (N / <1) 0.29 / 0.27				VT (N / <1) 0.50 / 0.44			CR 59	
	142.094 SH / Opt 10 (Heavy ALU Refo LR/KR/BR/S, Foam): E366 / arg / lami (DS/DS 090 DS) 3/4" IG											
	0.117	0.345	0.264					ARG90	0.022(#2)	CL	P1-S	N,S
	U-Factor 0.29			SHGC (N / <1) 0.22 / 0.20				VT (N / <1) 0.50 / 0.44			CR 59	
814	142.094 SH / Opt 10 (Heavy ALU Refo LR/KR/BR/S, Foam): lami / arg / E366 (DS 090 DS/DS) 3/4" IG											
	0.264	0.345	0.117					ARG90	0.022(#3)	CL	P1-S	G,S
	U-Factor 0.31			SHGC (<1) 0.27				VT (<1) 0.44			CR 59	
	142.094 SH / Opt 10 (Heavy ALU Refo LR/KR/BR/S, Foam): E366 / arg / lami (DS/DS 090 DS) 3/4" IG											
	0.117	0.345	0.264					ARG90	0.022(#2)	CL	P1-S	G,S
	U-Factor 0.31			SHGC (<1) 0.20				VT (<1) 0.44			CR 59	
815	142.094 SH / Opt 10 (Heavy ALU Refo LR/KR/BR/S, Foam): E366 / arg / clr / arg / E366 (SS/SS/SS) 3/4" IG (P1-S)											
	0.087	0.250	0.087	0.250	0.087			ARG90	0.022(#2) / 0.022(#5)	CL	P1-S	N,S
	U-Factor 0.24			SHGC (N / <1) 0.19 / 0.17				VT (N / <1) 0.37 / 0.33			CR 66	
816	142.094 SH / Opt 10 (Heavy ALU Refo LR/KR/BR/S, Foam): E366 / arg / clr / arg / E366 (SS/SS/SS) 3/4" IG (P1-S)											
	0.087	0.250	0.087	0.250	0.087			ARG90	0.022(#2) / 0.022(#5)	CL	P1-S	G,S
	U-Factor 0.25			SHGC (<1) 0.17				VT (<1) 0.33			CR 66	
817	142.094 SH / Opt 10 (Heavy ALU Refo LR/KR/BR/S, Foam): 70/36 / air / clr (SS/SS) 3/4" IG											
	0.090	0.563	0.090					AIR	0.036(#2)	CL	P1-S	N,G,S
	U-Factor 0.32			SHGC (N / <1) 0.31 / 0.28				VT (N / <1) 0.55 / 0.49			CR 57	
	142.094 SH / Opt 10 (Heavy ALU Refo LR/KR/BR/S, Foam): clr / air / 70/36 (SS/SS) 3/4" IG											
	0.090	0.563	0.090					AIR	0.036(#3)	CL	P1-S	N,G,S
	U-Factor 0.32			SHGC (N / <1) 0.39 / 0.35				VT (N / <1) 0.55 / 0.49			CR 57	
818	142.094 SH / Opt 10 (Heavy ALU Refo LR/KR/BR/S, Foam): 70/36 / arg / clr (SS/SS) 3/4" IG											
	0.090	0.563	0.090					ARG90	0.036(#2)	CL	P1-S	N,G,S
	U-Factor 0.28			SHGC (N / <1) 0.31 / 0.28				VT (N / <1) 0.55 / 0.49			CR 61	
	142.094 SH / Opt 10 (Heavy ALU Refo LR/KR/BR/S, Foam): clr / arg / 70/36 (SS/SS) 3/4" IG											
	0.090	0.563	0.090					ARG90	0.036(#3)	CL	P1-S	N,G,S
	U-Factor 0.28			SHGC (N / <1) 0.39 / 0.35				VT (N / <1) 0.55 / 0.49			CR 61	

**NFRC 100/200/500 Summary Sheet
 Windgate/Belmont/Stormgate Single Hung**

ID	Pane Thickness 1	Gap Width 1	Pane Thickness 2	Gap Width 2	Pane Thickness 3	Gap Width 3	Pane Thickness 4	Gap Fill	Low-e (Surface#)	Tint	Spacer	Grid Type
	U-Factor			Solar Heat Gain Coefficient (SHGC) Grids (None / <1 / >=1)				Visible Transmittance (VT) Grids (None / <1 / >=1)			Condensation Resistance	
819	142.094 SH / Opt 10 (Heavy ALU Refo LR/KR/BR/S, Foam): 70/36 / air / clr (DS/DS) 3/4" IG											
	0.117	0.500	0.117					AIR	0.036(#2)	CL	P1-S	N,G,S
	U-Factor 0.31			SHGC (N / <1) 0.31 / 0.28				VT (N / <1) 0.55 / 0.49			CR 57	
	142.094 SH / Opt 10 (Heavy ALU Refo LR/KR/BR/S, Foam): clr / air / 70/36 (DS/DS) 3/4" IG											
	0.117	0.500	0.117					AIR	0.036(#3)	CL	P1-S	N,G,S
	U-Factor 0.31			SHGC (N / <1) 0.38 / 0.34				VT (N / <1) 0.55 / 0.49			CR 57	
820	142.094 SH / Opt 10 (Heavy ALU Refo LR/KR/BR/S, Foam): 70/36 / arg / clr (DS/DS) 3/4" IG											
	0.117	0.500	0.117					ARG90	0.036(#2)	CL	P1-S	N,G,S
	U-Factor 0.28			SHGC (N / <1) 0.30 / 0.27				VT (N / <1) 0.55 / 0.49			CR 60	
	142.094 SH / Opt 10 (Heavy ALU Refo LR/KR/BR/S, Foam): clr / arg / 70/36 (DS/DS) 3/4" IG											
	0.117	0.500	0.117					ARG90	0.036(#3)	CL	P1-S	N,G,S
	U-Factor 0.28			SHGC (N / <1) 0.38 / 0.35				VT (N / <1) 0.55 / 0.49			CR 60	
821	142.094 SH / Opt 10 (Heavy ALU Refo LR/KR/BR/S, Foam): lami / arg / 70/36 (DS 090 DS/DS) 3/4" IG											
	0.264	0.345	0.117					ARG90	0.036(#3)	CL	P1-S	N,S
	U-Factor 0.30			SHGC (N / <1) 0.36 / 0.33				VT (N / <1) 0.54 / 0.48			CR 58	
	142.094 SH / Opt 10 (Heavy ALU Refo LR/KR/BR/S, Foam): 70/36 / arg / lami (DS/DS 090 DS) 3/4" IG											
	0.117	0.345	0.264					ARG90	0.036(#2)	CL	P1-S	N,S
	U-Factor 0.30			SHGC (N / <1) 0.30 / 0.27				VT (N / <1) 0.54 / 0.48			CR 58	
822	142.094 SH / Opt 10 (Heavy ALU Refo LR/KR/BR/S, Foam): lami / arg / 70/36 (DS 090 DS/DS) 3/4" IG											
	0.264	0.345	0.117					ARG90	0.036(#3)	CL	P1-S	G,S
	U-Factor 0.31			SHGC (<1) 0.33				VT (<1) 0.48			CR 58	
	142.094 SH / Opt 10 (Heavy ALU Refo LR/KR/BR/S, Foam): 70/36 / arg / lami (DS/DS 090 DS) 3/4" IG											
	0.117	0.345	0.264					ARG90	0.036(#2)	CL	P1-S	G,S
	U-Factor 0.31			SHGC (<1) 0.27				VT (<1) 0.48			CR 58	
823	142.094 SH / Opt 10 (Heavy ALU Refo LR/KR/BR/S, Foam): 70/36 / arg / clr / arg / 70/36 (SS/SS/SS) 3/4" IG											
	0.090	0.250	0.090	0.250	0.090			ARG90	0.036(#2) / 0.036(#5)	CL	P1-S	N,S
	U-Factor 0.24			SHGC (N / <1) 0.26 / 0.24				VT (N / <1) 0.43 / 0.39			CR 66	
824	142.094 SH / Opt 10 (Heavy ALU Refo LR/KR/BR/S, Foam): 70/36 / arg / clr / arg / 70/36 (SS/SS/SS) 3/4" IG											
	0.090	0.250	0.090	0.250	0.090			ARG90	0.036(#2) / 0.036(#5)	CL	P1-S	G,S
	U-Factor 0.25			SHGC (<1) 0.24				VT (<1) 0.39			CR 66	

**NFRC 100/200/500 Summary Sheet
Windgate/Belmont/Stormgate Single Hung**

ID	Pane Thickness 1	Gap Width 1	Pane Thickness 2	Gap Width 2	Pane Thickness 3	Gap Width 3	Pane Thickness 4	Gap Fill	Low-e (Surface#)	Tint	Spacer	Grid Type
	U-Factor			Solar Heat Gain Coefficient (SHGC) Grids (None / <1 / >=1)				Visible Transmittance (VT) Grids (None / <1 / >=1)			Condensation Resistance	
825	142.094 SH / Opt 10 (Heavy ALU Refo LR/KR/BR/S, Foam): 80/70 / air / clr (SS/SS) 3/4" IG											
	0.090	0.563	0.090					AIR	0.095(#2)	CL	P1-S	N,G,S
	U-Factor 0.33			SHGC (N / <1) 0.53 / 0.48				VT (N / <1) 0.64 / 0.57			CR	56
	142.094 SH / Opt 10 (Heavy ALU Refo LR/KR/BR/S, Foam): clr / air / 80/70 (SS/SS) 3/4" IG											
	0.090	0.563	0.090					AIR	0.095(#3)	CL	P1-S	N,G,S
	U-Factor 0.33			SHGC (N / <1) 0.56 / 0.50				VT (N / <1) 0.64 / 0.57			CR	56
826	142.094 SH / Opt 10 (Heavy ALU Refo LR/KR/BR/S, Foam): 80/70 / arg / clr (SS/SS) 3/4" IG											
	0.090	0.563	0.090					ARG90	0.095(#2)	CL	P1-S	N,G,S
	U-Factor 0.30			SHGC (N / <1) 0.53 / 0.48				VT (N / <1) 0.64 / 0.57			CR	60
	142.094 SH / Opt 10 (Heavy ALU Refo LR/KR/BR/S, Foam): clr / arg / 80/70 (SS/SS) 3/4" IG											
	0.090	0.563	0.090					ARG90	0.095(#3)	CL	P1-S	N,G,S
	U-Factor 0.30			SHGC (N / <1) 0.56 / 0.50				VT (N / <1) 0.64 / 0.57			CR	60
827	142.094 SH / Opt 10 (Heavy ALU Refo LR/KR/BR/S, Foam): 80/70 / air / clr (DS/DS) 3/4" IG											
	0.117	0.500	0.117					AIR	0.095(#2)	CL	P1-S	N,G,S
	U-Factor 0.33			SHGC (N / <1) 0.52 / 0.47				VT (N / <1) 0.63 / 0.57			CR	55
	142.094 SH / Opt 10 (Heavy ALU Refo LR/KR/BR/S, Foam): clr / air / 80/70 (DS/DS) 3/4" IG											
	0.117	0.500	0.117					AIR	0.095(#3)	CL	P1-S	N,G,S
	U-Factor 0.33			SHGC (N / <1) 0.55 / 0.50				VT (N / <1) 0.63 / 0.57			CR	55
828	142.094 SH / Opt 10 (Heavy ALU Refo LR/KR/BR/S, Foam): 80/70 / arg / clr (DS/DS) 3/4" IG											
	0.117	0.500	0.117					ARG90	0.095(#2)	CL	P1-S	N,G,S
	U-Factor 0.30			SHGC (N / <1) 0.52 / 0.47				VT (N / <1) 0.63 / 0.57			CR	59
	142.094 SH / Opt 10 (Heavy ALU Refo LR/KR/BR/S, Foam): clr / arg / 80/70 (DS/DS) 3/4" IG											
	0.117	0.500	0.117					ARG90	0.095(#3)	CL	P1-S	N,G,S
	U-Factor 0.30			SHGC (N / <1) 0.55 / 0.50				VT (N / <1) 0.63 / 0.57			CR	59
829	142.094 SH / Opt 10 (Heavy ALU Refo LR/KR/BR/S, Foam): lami / arg / 80/70 (DS 090 DS/DS) 3/4" IG											
	0.264	0.345	0.117					ARG90	0.095(#3)	CL	P1-S	N,S
	U-Factor 0.32			SHGC (N / <1) 0.51 / 0.46				VT (N / <1) 0.62 / 0.56			CR	57
	142.094 SH / Opt 10 (Heavy ALU Refo LR/KR/BR/S, Foam): 80/70 / arg / lami (DS/DS 090 DS) 3/4" IG											
	0.117	0.345	0.264					ARG90	0.095(#2)	CL	P1-S	N,S
	U-Factor 0.32			SHGC (N / <1) 0.51 / 0.46				VT (N / <1) 0.62 / 0.56			CR	57

**NFRC 100/200/500 Summary Sheet
Windgate/Belmont/Stormgate Single Hung**

ID	Pane Thickness 1	Gap Width 1	Pane Thickness 2	Gap Width 2	Pane Thickness 3	Gap Width 3	Pane Thickness 4	Gap Fill	Low-e (Surface#)	Tint	Spacer	Grid Type
	U-Factor			Solar Heat Gain Coefficient (SHGC) Grids (None / <1 / >=1)				Visible Transmittance (VT) Grids (None / <1 / >=1)			Condensation Resistance	
830	142.094 SH / Opt 10 (Heavy ALU Refo LR/KR/BR/S, Foam): lami / arg / 80/70 (DS 090 DS/DS) 3/4" IG											
	0.264	0.345	0.117					ARG90	0.095(#3)	CL	P1-S	G,S
	U-Factor 0.33			SHGC (<1) 0.46				VT (<1) 0.56			CR 57	
	142.094 SH / Opt 10 (Heavy ALU Refo LR/KR/BR/S, Foam): 80/70 / arg / lami (DS/DS 090 DS) 3/4" IG											
	0.117	0.345	0.264					ARG90	0.095(#2)	CL	P1-S	G,S
	U-Factor 0.33			SHGC (<1) 0.46				VT (<1) 0.56			CR 57	
831	142.094 SH / Opt 10 (Heavy ALU Refo LR/KR/BR/S, Foam): 80/70 / arg / clr / arg / 80/70 (SS/SS/SS) 3/4" IG											
	0.090	0.250	0.090	0.250	0.090			ARG90	0.095(#2) / 0.095(#5)	CL	P1-S	N,S
	U-Factor 0.25			SHGC (N / <1) 0.47 / 0.42				VT (N / <1) 0.58 / 0.51			CR 66	
832	142.094 SH / Opt 10 (Heavy ALU Refo LR/KR/BR/S, Foam): 80/70 / arg / clr / arg / 80/70 (SS/SS/SS) 3/4" IG											
	0.090	0.250	0.090	0.250	0.090			ARG90	0.095(#2) / 0.095(#5)	CL	P1-S	G,S
	U-Factor 0.26			SHGC (<1) 0.42				VT (<1) 0.51			CR 66	
833	142.094 SH / Opt 10 (Heavy ALU Refo LR/KR/BR/S, Foam): clr / air / clr (SS/SS) 3/4" IG											
	0.087	0.563	0.087					AIR		CL	SS-D	N,G,S
	U-Factor 0.46			SHGC (N / <1) 0.63 / 0.56				VT (N / <1) 0.65 / 0.58			CR 44	
834	142.094 SH / Opt 10 (Heavy ALU Refo LR/KR/BR/S, Foam): clr / air / clr (DS/DS) 3/4" IG											
	0.118	0.500	0.118					AIR		CL	SS-D	N,G,S
	U-Factor 0.46			SHGC (N / <1) 0.61 / 0.55				VT (N / <1) 0.65 / 0.58			CR 44	
835	142.094 SH / Opt 10 (Heavy ALU Refo LR/KR/BR/S, Foam): clr / air / clr (5mm/DS) 3/4" IG											
	0.185	0.438	0.118					AIR		CL	SS-D	N,G,S
	U-Factor 0.47			SHGC (N / <1) 0.59 / 0.53				VT (N / <1) 0.64 / 0.57			CR 43	
836	142.094 SH / Opt 10 (Heavy ALU Refo LR/KR/BR/S, Foam): clr / air / clr (5mm/DS) 3/4" IG											
	0.185	0.438	0.118					AIR		CL	SS-D	G
	U-Factor 0.47			SHGC (<1) 0.53				VT (<1) 0.57			CR 43	
837	142.094 SH / Opt 10 (Heavy ALU Refo LR/KR/BR/S, Foam): lami / air / clr (DS 090 DS/DS) 3/4" IG											
	0.264	0.345	0.118					AIR		CL	SS-D	N,S
	U-Factor 0.48			SHGC (N / <1) 0.56 / 0.51				VT (N / <1) 0.63 / 0.57			CR 42	
	142.094 SH / Opt 10 (Heavy ALU Refo LR/KR/BR/S, Foam): clr / air / lami (DS/DS 090 DS) 3/4" IG											
	0.118	0.345	0.264					AIR		CL	SS-D	N,S
	U-Factor 0.48			SHGC (N / <1) 0.59 / 0.53				VT (N / <1) 0.63 / 0.57			CR 42	

**NFRC 100/200/500 Summary Sheet
Windgate/Belmont/Stormgate Single Hung**

ID	Pane Thickness 1	Gap Width 1	Pane Thickness 2	Gap Width 2	Pane Thickness 3	Gap Width 3	Pane Thickness 4	Gap Fill	Low-e (Surface#)	Tint	Spacer	Grid Type
	U-Factor			Solar Heat Gain Coefficient (SHGC) Grids (None / <1 / >=1)				Visible Transmittance (VT) Grids (None / <1 / >=1)			Condensation Resistance	
838	142.094 SH / Opt 10 (Heavy ALU Refo LR/KR/BR/S, Foam): lami / air / clr (DS 090 DS/DS) 3/4" IG											
	0.264	0.345	0.118					AIR		CL	SS-D	G,S
	U-Factor 0.49			SHGC (<1) 0.51				VT (<1) 0.57			CR 42	
	142.094 SH / Opt 10 (Heavy ALU Refo LR/KR/BR/S, Foam): clr / air / lami (DS/DS 090 DS) 3/4" IG											
	0.118	0.345	0.264					AIR		CL	SS-D	G,S
	U-Factor 0.49			SHGC (<1) 0.53				VT (<1) 0.57			CR 42	
839	142.094 SH / Opt 10 (Heavy ALU Refo LR/KR/BR/S, Foam): clr / air / clr / air / clr (SS/SS/SS) 3/4" IG (P1-S)											
	0.087	0.250	0.087	0.250	0.087			AIR		CL	SS-D	N,S
	U-Factor 0.38			SHGC (N / <1) 0.57 / 0.51				VT (N / <1) 0.60 / 0.54			CR 53	
840	142.094 SH / Opt 10 (Heavy ALU Refo LR/KR/BR/S, Foam): clr / air / clr / air / clr (SS/SS/SS) 3/4" IG (P1-S)											
	0.087	0.250	0.087	0.250	0.087			AIR		CL	SS-D	G,S
	U-Factor 0.39			SHGC (<1) 0.51				VT (<1) 0.54			CR 53	
841	142.094 SH / Opt 10 (Heavy ALU Refo LR/KR/BR/S, Foam): E270 / air / clr (SS/SS) 3/4" IG											
	0.087	0.563	0.087					AIR	0.037(#2)	CL	SS-D	N,G,S
	U-Factor 0.33			SHGC (N / <1) 0.30 / 0.27				VT (N / <1) 0.55 / 0.49			CR 55	
	142.094 SH / Opt 10 (Heavy ALU Refo LR/KR/BR/S, Foam): clr / air / E270 (SS/SS) 3/4" IG											
	0.087	0.563	0.087					AIR	0.037(#3)	CL	SS-D	N,G,S
	U-Factor 0.33			SHGC (N / <1) 0.37 / 0.33				VT (N / <1) 0.55 / 0.49			CR 55	
842	142.094 SH / Opt 10 (Heavy ALU Refo LR/KR/BR/S, Foam): E270 / arg / clr (SS/SS) 3/4" IG											
	0.087	0.563	0.087					ARG90	0.037(#2)	CL	SS-D	N,G,S
	U-Factor 0.29			SHGC (N / <1) 0.29 / 0.26				VT (N / <1) 0.55 / 0.49			CR 59	
	142.094 SH / Opt 10 (Heavy ALU Refo LR/KR/BR/S, Foam): clr / arg / E270 (SS/SS) 3/4" IG											
	0.087	0.563	0.087					ARG90	0.037(#3)	CL	SS-D	N,G,S
	U-Factor 0.29			SHGC (N / <1) 0.37 / 0.33				VT (N / <1) 0.55 / 0.49			CR 59	
843	142.094 SH / Opt 10 (Heavy ALU Refo LR/KR/BR/S, Foam): E270 / air / clr (DS/DS) 3/4" IG											
	0.118	0.500	0.118					AIR	0.037(#2)	CL	SS-D	N,G,S
	U-Factor 0.32			SHGC (N / <1) 0.30 / 0.27				VT (N / <1) 0.55 / 0.49			CR 54	
	142.094 SH / Opt 10 (Heavy ALU Refo LR/KR/BR/S, Foam): clr / air / E270 (DS/DS) 3/4" IG											
	0.118	0.500	0.118					AIR	0.037(#3)	CL	SS-D	N,G,S
	U-Factor 0.32			SHGC (N / <1) 0.36 / 0.33				VT (N / <1) 0.55 / 0.49			CR 54	

**NFRC 100/200/500 Summary Sheet
Windgate/Belmont/Stormgate Single Hung**

ID	Pane Thickness 1	Gap Width 1	Pane Thickness 2	Gap Width 2	Pane Thickness 3	Gap Width 3	Pane Thickness 4	Gap Fill	Low-e (Surface#)	Tint	Spacer	Grid Type
	U-Factor			Solar Heat Gain Coefficient (SHGC) Grids (None / <1 / >=1)				Visible Transmittance (VT) Grids (None / <1 / >=1)			Condensation Resistance	
844	142.094 SH / Opt 10 (Heavy ALU Refo LR/KR/BR/S, Foam): E270 / arg / clr (DS/DS) 3/4" IG											
	0.118	0.500	0.118					ARG90	0.037(#2)	CL	SS-D	N,G,S
	U-Factor 0.29			SHGC (N / <1) 0.29 / 0.26				VT (N / <1) 0.55 / 0.49			CR 58	
	142.094 SH / Opt 10 (Heavy ALU Refo LR/KR/BR/S, Foam): clr / arg / E270 (DS/DS) 3/4" IG											
	0.118	0.500	0.118					ARG90	0.037(#3)	CL	SS-D	N,G,S
	U-Factor 0.29			SHGC (N / <1) 0.36 / 0.33				VT (N / <1) 0.55 / 0.49			CR 58	
845	142.094 SH / Opt 10 (Heavy ALU Refo LR/KR/BR/S, Foam): lami / arg / E270 (DS 090 DS/DS) 3/4" IG											
	0.264	0.345	0.118					ARG90	0.037(#3)	CL	SS-D	N,S
	U-Factor 0.31			SHGC (N / <1) 0.35 / 0.31				VT (N / <1) 0.54 / 0.48			CR 56	
	142.094 SH / Opt 10 (Heavy ALU Refo LR/KR/BR/S, Foam): E270 / arg / lami (DS/DS 090 DS) 3/4" IG											
	0.118	0.345	0.264					ARG90	0.037(#2)	CL	SS-D	N,S
	U-Factor 0.31			SHGC (N / <1) 0.29 / 0.26				VT (N / <1) 0.54 / 0.48			CR 56	
846	142.094 SH / Opt 10 (Heavy ALU Refo LR/KR/BR/S, Foam): lami / arg / E270 (DS 090 DS/DS) 3/4" IG											
	0.264	0.345	0.118					ARG90	0.037(#3)	CL	SS-D	G,S
	U-Factor 0.32			SHGC (<1) 0.31				VT (<1) 0.48			CR 56	
	142.094 SH / Opt 10 (Heavy ALU Refo LR/KR/BR/S, Foam): E270 / arg / lami (DS/DS 090 DS) 3/4" IG											
	0.118	0.345	0.264					ARG90	0.037(#2)	CL	SS-D	G,S
	U-Factor 0.32			SHGC (<1) 0.26				VT (<1) 0.48			CR 56	
847	142.094 SH / Opt 10 (Heavy ALU Refo LR/KR/BR/S, Foam): E270 / arg / clr / arg / E270 (SS/SS/SS) 3/4" IG (SS-D)											
	0.087	0.266	0.087	0.266	0.087			ARG90	0.037(#2) / 0.037(#5)	CL	SS-D	N,S
	U-Factor 0.24			SHGC (N / <1) 0.25 / 0.23				VT (N / <1) 0.43 / 0.39			CR 64	
848	142.094 SH / Opt 10 (Heavy ALU Refo LR/KR/BR/S, Foam): E270 / arg / clr / arg / E270 (SS/SS/SS) 3/4" IG (SS-D)											
	0.087	0.266	0.087	0.266	0.087			ARG90	0.037(#2) / 0.037(#5)	CL	SS-D	G,S
	U-Factor 0.25			SHGC (<1) 0.23				VT (<1) 0.39			CR 64	
849	142.094 SH / Opt 10 (Heavy ALU Refo LR/KR/BR/S, Foam): E366 / air / clr (SS/SS) 3/4" IG											
	0.087	0.563	0.087					AIR	0.022(#2)	CL	SS-D	N,G,S
	U-Factor 0.32			SHGC (N / <1) 0.22 / 0.20				VT (N / <1) 0.51 / 0.46			CR 55	
	142.094 SH / Opt 10 (Heavy ALU Refo LR/KR/BR/S, Foam): clr / air / E366 (SS/SS) 3/4" IG											
	0.087	0.563	0.087					AIR	0.022(#3)	CL	SS-D	N,G,S
	U-Factor 0.32			SHGC (N / <1) 0.31 / 0.28				VT (N / <1) 0.51 / 0.46			CR 55	

**NFRC 100/200/500 Summary Sheet
Windgate/Belmont/Stormgate Single Hung**

ID	Pane Thickness 1	Gap Width 1	Pane Thickness 2	Gap Width 2	Pane Thickness 3	Gap Width 3	Pane Thickness 4	Gap Width 4	Gap Fill	Low-e (Surface#)	Tint	Spacer	Grid Type
	U-Factor			Solar Heat Gain Coefficient (SHGC) Grids (None / <1 / >=1)				Visible Transmittance (VT) Grids (None / <1 / >=1)			Condensation Resistance		
850	142.094 SH / Opt 10 (Heavy ALU Refo LR/KR/BR/S, Foam): E366 / arg / clr (SS/SS) 3/4" IG												
	0.087	0.563	0.087						ARG90	0.022(#2)	CL	SS-D	N,G,S
	U-Factor 0.29			SHGC (N / <1) 0.22 / 0.20				VT (N / <1) 0.51 / 0.46			CR 59		
	142.094 SH / Opt 10 (Heavy ALU Refo LR/KR/BR/S, Foam): clr / arg / E366 (SS/SS) 3/4" IG												
	0.087	0.563	0.087						ARG90	0.022(#3)	CL	SS-D	N,G,S
	U-Factor 0.29			SHGC (N / <1) 0.31 / 0.28				VT (N / <1) 0.51 / 0.46			CR 59		
851	142.094 SH / Opt 10 (Heavy ALU Refo LR/KR/BR/S, Foam): E366 / air / clr (DS/DS) 3/4" IG												
	0.117	0.500	0.118						AIR	0.022(#2)	CL	SS-D	N,G,S
	U-Factor 0.32			SHGC (N / <1) 0.22 / 0.20				VT (N / <1) 0.51 / 0.45			CR 55		
	142.094 SH / Opt 10 (Heavy ALU Refo LR/KR/BR/S, Foam): clr / air / E366 (DS/DS) 3/4" IG												
	0.118	0.500	0.117						AIR	0.022(#3)	CL	SS-D	N,G,S
	U-Factor 0.32			SHGC (N / <1) 0.30 / 0.28				VT (N / <1) 0.51 / 0.45			CR 55		
852	142.094 SH / Opt 10 (Heavy ALU Refo LR/KR/BR/S, Foam): E366 / arg / clr (DS/DS) 3/4" IG												
	0.117	0.500	0.118						ARG90	0.022(#2)	CL	SS-D	N,G,S
	U-Factor 0.28			SHGC (N / <1) 0.22 / 0.20				VT (N / <1) 0.51 / 0.45			CR 58		
	142.094 SH / Opt 10 (Heavy ALU Refo LR/KR/BR/S, Foam): clr / arg / E366 (DS/DS) 3/4" IG												
	0.118	0.500	0.117						ARG90	0.022(#3)	CL	SS-D	N,G,S
	U-Factor 0.28			SHGC (N / <1) 0.31 / 0.28				VT (N / <1) 0.51 / 0.45			CR 58		
853	142.094 SH / Opt 10 (Heavy ALU Refo LR/KR/BR/S, Foam): lami / arg / E366 (DS 090 DS/DS) 3/4" IG												
	0.264	0.345	0.117						ARG90	0.022(#3)	CL	SS-D	N,S
	U-Factor 0.30			SHGC (N / <1) 0.29 / 0.27				VT (N / <1) 0.50 / 0.44			CR 56		
	142.094 SH / Opt 10 (Heavy ALU Refo LR/KR/BR/S, Foam): E366 / arg / lami (DS/DS 090 DS) 3/4" IG												
	0.117	0.345	0.264						ARG90	0.022(#2)	CL	SS-D	N,S
	U-Factor 0.30			SHGC (N / <1) 0.22 / 0.20				VT (N / <1) 0.50 / 0.44			CR 56		
854	142.094 SH / Opt 10 (Heavy ALU Refo LR/KR/BR/S, Foam): lami / arg / E366 (DS 090 DS/DS) 3/4" IG												
	0.264	0.345	0.117						ARG90	0.022(#3)	CL	SS-D	G,S
	U-Factor 0.32			SHGC (<1) 0.27				VT (<1) 0.44			CR 56		
	142.094 SH / Opt 10 (Heavy ALU Refo LR/KR/BR/S, Foam): E366 / arg / lami (DS/DS 090 DS) 3/4" IG												
	0.117	0.345	0.264						ARG90	0.022(#2)	CL	SS-D	G,S
	U-Factor 0.32			SHGC (<1) 0.20				VT (<1) 0.44			CR 56		

**NFRC 100/200/500 Summary Sheet
Windgate/Belmont/Stormgate Single Hung**

ID	Pane Thickness 1	Gap Width 1	Pane Thickness 2	Gap Width 2	Pane Thickness 3	Gap Width 3	Pane Thickness 4	Gap Fill	Low-e (Surface#)	Tint	Spacer	Grid Type
	U-Factor			Solar Heat Gain Coefficient (SHGC) Grids (None / <1 / >=1)				Visible Transmittance (VT) Grids (None / <1 / >=1)			Condensation Resistance	
855	142.094 SH / Opt 10 (Heavy ALU Refo LR/KR/BR/S, Foam): E366 / arg / clr / arg / E366 (SS/SS/SS) 3/4" IG (SS-D)											
	0.087	0.266	0.087	0.266	0.087			ARG90	0.022(#2) / 0.022(#5)	CL	SS-D	N,S
	U-Factor 0.24			SHGC (N / <1) 0.19 / 0.17				VT (N / <1) 0.37 / 0.33			CR 64	
856	142.094 SH / Opt 10 (Heavy ALU Refo LR/KR/BR/S, Foam): E366 / arg / clr / arg / E366 (SS/SS/SS) 3/4" IG (SS-D)											
	0.087	0.266	0.087	0.266	0.087			ARG90	0.022(#2) / 0.022(#5)	CL	SS-D	G,S
	U-Factor 0.25			SHGC (<1) 0.17				VT (<1) 0.33			CR 64	
857	142.094 SH / Opt 10 (Heavy ALU Refo LR/KR/BR/S, Foam): clr / air / clr (SS/SS) 3/4" IG											
	0.087	0.563	0.087					AIR		CL	TS-D	N,G,S
	U-Factor 0.46			SHGC (N / <1) 0.63 / 0.56				VT (N / <1) 0.65 / 0.58			CR 44	
858	142.094 SH / Opt 10 (Heavy ALU Refo LR/KR/BR/S, Foam): clr / air / clr (DS/DS) 3/4" IG											
	0.118	0.500	0.118					AIR		CL	TS-D	N,G,S
	U-Factor 0.46			SHGC (N / <1) 0.61 / 0.55				VT (N / <1) 0.65 / 0.58			CR 43	
859	142.094 SH / Opt 10 (Heavy ALU Refo LR/KR/BR/S, Foam): clr / air / clr (5mm/DS) 3/4" IG											
	0.185	0.438	0.118					AIR		CL	TS-D	N,G,S
	U-Factor 0.47			SHGC (N / <1) 0.59 / 0.53				VT (N / <1) 0.64 / 0.57			CR 43	
860	142.094 SH / Opt 10 (Heavy ALU Refo LR/KR/BR/S, Foam): clr / air / clr (5mm/DS) 3/4" IG											
	0.185	0.438	0.118					AIR		CL	TS-D	G
	U-Factor 0.47			SHGC (<1) 0.53				VT (<1) 0.57			CR 42	
861	142.094 SH / Opt 10 (Heavy ALU Refo LR/KR/BR/S, Foam): lami / air / clr (DS 090 DS/DS) 3/4" IG											
	0.264	0.345	0.118					AIR		CL	TS-D	N,S
	U-Factor 0.48			SHGC (N / <1) 0.56 / 0.51				VT (N / <1) 0.63 / 0.57			CR 42	
	142.094 SH / Opt 10 (Heavy ALU Refo LR/KR/BR/S, Foam): clr / air / lami (DS/DS 090 DS) 3/4" IG											
	0.118	0.345	0.264					AIR		CL	TS-D	N,S
	U-Factor 0.48			SHGC (N / <1) 0.59 / 0.53				VT (N / <1) 0.63 / 0.57			CR 42	
862	142.094 SH / Opt 10 (Heavy ALU Refo LR/KR/BR/S, Foam): lami / air / clr (DS 090 DS/DS) 3/4" IG											
	0.264	0.345	0.118					AIR		CL	TS-D	G,S
	U-Factor 0.49			SHGC (<1) 0.51				VT (<1) 0.57			CR 42	
	142.094 SH / Opt 10 (Heavy ALU Refo LR/KR/BR/S, Foam): clr / air / lami (DS/DS 090 DS) 3/4" IG											
	0.118	0.345	0.264					AIR		CL	TS-D	G,S
	U-Factor 0.49			SHGC (<1) 0.53				VT (<1) 0.57			CR 42	

**NFRC 100/200/500 Summary Sheet
Windgate/Belmont/Stormgate Single Hung**

ID	Pane Thickness 1	Gap Width 1	Pane Thickness 2	Gap Width 2	Pane Thickness 3	Gap Width 3	Pane Thickness 4	Gap Fill	Low-e (Surface#)	Tint	Spacer	Grid Type
	U-Factor			Solar Heat Gain Coefficient (SHGC) Grids (None / <1 / >=1)				Visible Transmittance (VT) Grids (None / <1 / >=1)			Condensation Resistance	
863	142.094 SH / Opt 10 (Heavy ALU Refo LR/KR/BR/S, Foam): clr / air / clr / air / clr (SS/SS/SS) 3/4" IG (P1-S)											
	0.087	0.250	0.087	0.250	0.087			AIR		CL	TS-D	N,S
	U-Factor 0.39			SHGC (N / <1) 0.57 / 0.51				VT (N / <1) 0.60 / 0.54			CR 52	
864	142.094 SH / Opt 10 (Heavy ALU Refo LR/KR/BR/S, Foam): clr / air / clr / air / clr (SS/SS/SS) 3/4" IG (P1-S)											
	0.087	0.250	0.087	0.250	0.087			AIR		CL	TS-D	G,S
	U-Factor 0.40			SHGC (<1) 0.51				VT (<1) 0.54			CR 52	
865	142.094 SH / Opt 10 (Heavy ALU Refo LR/KR/BR/S, Foam): 70/36 / air / clr (SS/SS) 3/4" IG											
	0.090	0.563	0.090					AIR	0.036(#2)	CL	TS-D	N,G,S
	U-Factor 0.33			SHGC (N / <1) 0.31 / 0.28				VT (N / <1) 0.55 / 0.49			CR 54	
	142.094 SH / Opt 10 (Heavy ALU Refo LR/KR/BR/S, Foam): clr / air / 70/36 (SS/SS) 3/4" IG											
	0.090	0.563	0.090					AIR	0.036(#3)	CL	TS-D	N,G,S
	U-Factor 0.33			SHGC (N / <1) 0.39 / 0.35				VT (N / <1) 0.55 / 0.49			CR 54	
866	142.094 SH / Opt 10 (Heavy ALU Refo LR/KR/BR/S, Foam): 70/36 / arg / clr (SS/SS) 3/4" IG											
	0.090	0.563	0.090					ARG90	0.036(#2)	CL	TS-D	N,G,S
	U-Factor 0.29			SHGC (N / <1) 0.31 / 0.28				VT (N / <1) 0.55 / 0.49			CR 57	
	142.094 SH / Opt 10 (Heavy ALU Refo LR/KR/BR/S, Foam): clr / arg / 70/36 (SS/SS) 3/4" IG											
	0.090	0.563	0.090					ARG90	0.036(#3)	CL	TS-D	N,G,S
	U-Factor 0.29			SHGC (N / <1) 0.39 / 0.35				VT (N / <1) 0.55 / 0.49			CR 57	
867	142.094 SH / Opt 10 (Heavy ALU Refo LR/KR/BR/S, Foam): 70/36 / air / clr (DS/DS) 3/4" IG											
	0.117	0.500	0.117					AIR	0.036(#2)	CL	TS-D	N,G,S
	U-Factor 0.33			SHGC (N / <1) 0.31 / 0.28				VT (N / <1) 0.55 / 0.49			CR 53	
	142.094 SH / Opt 10 (Heavy ALU Refo LR/KR/BR/S, Foam): clr / air / 70/36 (DS/DS) 3/4" IG											
	0.117	0.500	0.117					AIR	0.036(#3)	CL	TS-D	N,G,S
	U-Factor 0.33			SHGC (N / <1) 0.38 / 0.34				VT (N / <1) 0.55 / 0.49			CR 53	
868	142.094 SH / Opt 10 (Heavy ALU Refo LR/KR/BR/S, Foam): 70/36 / arg / clr (DS/DS) 3/4" IG											
	0.117	0.500	0.117					ARG90	0.036(#2)	CL	TS-D	N,G,S
	U-Factor 0.29			SHGC (N / <1) 0.30 / 0.27				VT (N / <1) 0.55 / 0.49			CR 56	
	142.094 SH / Opt 10 (Heavy ALU Refo LR/KR/BR/S, Foam): clr / arg / 70/36 (DS/DS) 3/4" IG											
	0.117	0.500	0.117					ARG90	0.036(#3)	CL	TS-D	N,G,S
	U-Factor 0.29			SHGC (N / <1) 0.38 / 0.35				VT (N / <1) 0.55 / 0.49			CR 56	

**NFRC 100/200/500 Summary Sheet
Windgate/Belmont/Stormgate Single Hung**

ID	Pane Thickness 1	Gap Width 1	Pane Thickness 2	Gap Width 2	Pane Thickness 3	Gap Width 3	Pane Thickness 4	Gap Width 4	Gap Fill	Low-e (Surface#)	Tint	Spacer	Grid Type
	U-Factor			Solar Heat Gain Coefficient (SHGC) Grids (None / <1 / >=1)					Visible Transmittance (VT) Grids (None / <1 / >=1)			Condensation Resistance	
869	142.094 SH / Opt 10 (Heavy ALU Refo LR/KR/BR/S, Foam): lami / arg / 70/36 (DS 090 DS/DS) 3/4" IG												
	0.264	0.345	0.117						ARG90	0.036(#3)	CL	TS-D	N,S
	U-Factor 0.31			SHGC (N / <1) 0.36 / 0.33					VT (N / <1) 0.54 / 0.48			CR 55	
	142.094 SH / Opt 10 (Heavy ALU Refo LR/KR/BR/S, Foam): 70/36 / arg / lami (DS/DS 090 DS) 3/4" IG												
	0.117	0.345	0.264						ARG90	0.036(#2)	CL	TS-D	N,S
	U-Factor 0.31			SHGC (N / <1) 0.30 / 0.27					VT (N / <1) 0.54 / 0.48			CR 55	
870	142.094 SH / Opt 10 (Heavy ALU Refo LR/KR/BR/S, Foam): lami / arg / 70/36 (DS 090 DS/DS) 3/4" IG												
	0.264	0.345	0.117						ARG90	0.036(#3)	CL	TS-D	G,S
	U-Factor 0.32			SHGC (<1) 0.33					VT (<1) 0.48			CR 55	
	142.094 SH / Opt 10 (Heavy ALU Refo LR/KR/BR/S, Foam): 70/36 / arg / lami (DS/DS 090 DS) 3/4" IG												
	0.117	0.345	0.264						ARG90	0.036(#2)	CL	TS-D	G,S
	U-Factor 0.32			SHGC (<1) 0.27					VT (<1) 0.48			CR 55	
871	142.094 SH / Opt 10 (Heavy ALU Refo LR/KR/BR/S, Foam): 70/36 / arg / clr / arg / 70/36 (SS/SS/SS) 3/4" IG												
	0.090	0.250	0.090	0.250	0.090				ARG90	0.036(#2) / 0.036(#5)	CL	TS-D	N,S
	U-Factor 0.25			SHGC (N / <1) 0.26 / 0.24					VT (N / <1) 0.43 / 0.39			CR 63	
872	142.094 SH / Opt 10 (Heavy ALU Refo LR/KR/BR/S, Foam): 70/36 / arg / clr / arg / 70/36 (SS/SS/SS) 3/4" IG												
	0.090	0.250	0.090	0.250	0.090				ARG90	0.036(#2) / 0.036(#5)	CL	TS-D	G,S
	U-Factor 0.26			SHGC (<1) 0.24					VT (<1) 0.39			CR 63	
873	142.094 SH / Opt 10 (Heavy ALU Refo LR/KR/BR/S, Foam): 80/70 / air / clr (SS/SS) 3/4" IG												
	0.090	0.563	0.090						AIR	0.095(#2)	CL	TS-D	N,G,S
	U-Factor 0.34			SHGC (N / <1) 0.53 / 0.48					VT (N / <1) 0.64 / 0.57			CR 53	
	142.094 SH / Opt 10 (Heavy ALU Refo LR/KR/BR/S, Foam): clr / air / 80/70 (SS/SS) 3/4" IG												
	0.090	0.563	0.090						AIR	0.095(#3)	CL	TS-D	N,G,S
	U-Factor 0.34			SHGC (N / <1) 0.56 / 0.50					VT (N / <1) 0.64 / 0.57			CR 53	
874	142.094 SH / Opt 10 (Heavy ALU Refo LR/KR/BR/S, Foam): 80/70 / arg / clr (SS/SS) 3/4" IG												
	0.090	0.563	0.090						ARG90	0.095(#2)	CL	TS-D	N,G,S
	U-Factor 0.31			SHGC (N / <1) 0.53 / 0.48					VT (N / <1) 0.64 / 0.57			CR 56	
	142.094 SH / Opt 10 (Heavy ALU Refo LR/KR/BR/S, Foam): clr / arg / 80/70 (SS/SS) 3/4" IG												
	0.090	0.563	0.090						ARG90	0.095(#3)	CL	TS-D	N,G,S
	U-Factor 0.31			SHGC (N / <1) 0.56 / 0.50					VT (N / <1) 0.64 / 0.57			CR 56	

**NFRC 100/200/500 Summary Sheet
Windgate/Belmont/Stormgate Single Hung**

ID	Pane Thickness 1	Gap Width 1	Pane Thickness 2	Gap Width 2	Pane Thickness 3	Gap Width 3	Pane Thickness 4	Gap Fill	Low-e (Surface#)	Tint	Spacer	Grid Type
	U-Factor			Solar Heat Gain Coefficient (SHGC) Grids (None / <1 / >=1)				Visible Transmittance (VT) Grids (None / <1 / >=1)			Condensation Resistance	
875	142.094 SH / Opt 10 (Heavy ALU Refo LR/KR/BR/S, Foam): 80/70 / air / clr (DS/DS) 3/4" IG											
	0.117	0.500	0.117					AIR	0.095(#2)	CL	TS-D	N,G,S
	U-Factor 0.34			SHGC (N / <1) 0.52 / 0.47				VT (N / <1) 0.63 / 0.57			CR 52	
	142.094 SH / Opt 10 (Heavy ALU Refo LR/KR/BR/S, Foam): clr / air / 80/70 (DS/DS) 3/4" IG											
	0.117	0.500	0.117					AIR	0.095(#3)	CL	TS-D	N,G,S
	U-Factor 0.34			SHGC (N / <1) 0.55 / 0.50				VT (N / <1) 0.63 / 0.57			CR 52	
876	142.094 SH / Opt 10 (Heavy ALU Refo LR/KR/BR/S, Foam): 80/70 / arg / clr (DS/DS) 3/4" IG											
	0.117	0.500	0.117					ARG90	0.095(#2)	CL	TS-D	N,G,S
	U-Factor 0.31			SHGC (N / <1) 0.52 / 0.47				VT (N / <1) 0.63 / 0.57			CR 55	
	142.094 SH / Opt 10 (Heavy ALU Refo LR/KR/BR/S, Foam): clr / arg / 80/70 (DS/DS) 3/4" IG											
	0.117	0.500	0.117					ARG90	0.095(#3)	CL	TS-D	N,G,S
	U-Factor 0.31			SHGC (N / <1) 0.55 / 0.50				VT (N / <1) 0.63 / 0.57			CR 55	
877	142.094 SH / Opt 10 (Heavy ALU Refo LR/KR/BR/S, Foam): lami / arg / 80/70 (DS 090 DS/DS) 3/4" IG											
	0.264	0.345	0.117					ARG90	0.095(#3)	CL	TS-D	N,S
	U-Factor 0.33			SHGC (N / <1) 0.51 / 0.46				VT (N / <1) 0.62 / 0.56			CR 54	
	142.094 SH / Opt 10 (Heavy ALU Refo LR/KR/BR/S, Foam): 80/70 / arg / lami (DS/DS 090 DS) 3/4" IG											
	0.117	0.345	0.264					ARG90	0.095(#2)	CL	TS-D	N,S
	U-Factor 0.33			SHGC (N / <1) 0.51 / 0.46				VT (N / <1) 0.62 / 0.56			CR 54	
878	142.094 SH / Opt 10 (Heavy ALU Refo LR/KR/BR/S, Foam): lami / arg / 80/70 (DS 090 DS/DS) 3/4" IG											
	0.264	0.345	0.117					ARG90	0.095(#3)	CL	TS-D	G,S
	U-Factor 0.34			SHGC (<1) 0.46				VT (<1) 0.56			CR 54	
	142.094 SH / Opt 10 (Heavy ALU Refo LR/KR/BR/S, Foam): 80/70 / arg / lami (DS/DS 090 DS) 3/4" IG											
	0.117	0.345	0.264					ARG90	0.095(#2)	CL	TS-D	G,S
	U-Factor 0.34			SHGC (<1) 0.46				VT (<1) 0.56			CR 54	
879	142.094 SH / Opt 10 (Heavy ALU Refo LR/KR/BR/S, Foam): 80/70 / arg / clr / arg / 80/70 (SS/SS/SS) 3/4" IG											
	0.090	0.250	0.090	0.250	0.090			ARG90	0.095(#2) / 0.095(#5)	CL	TS-D	N,S
	U-Factor 0.26			SHGC (N / <1) 0.47 / 0.42				VT (N / <1) 0.58 / 0.51			CR 63	
880	142.094 SH / Opt 10 (Heavy ALU Refo LR/KR/BR/S, Foam): 80/70 / arg / clr / arg / 80/70 (SS/SS/SS) 3/4" IG											
	0.090	0.250	0.090	0.250	0.090			ARG90	0.095(#2) / 0.095(#5)	CL	TS-D	G,S
	U-Factor 0.27			SHGC (<1) 0.42				VT (<1) 0.51			CR 63	

**NFRC 100/200/500 Summary Sheet
Windgate/Belmont/Stormgate Single Hung**

ID	Pane Thickness 1	Gap Width 1	Pane Thickness 2	Gap Width 2	Pane Thickness 3	Gap Width 3	Pane Thickness 4	Gap Fill	Low-e (Surface#)	Tint	Spacer	Grid Type
	U-Factor			Solar Heat Gain Coefficient (SHGC) Grids (None / <1 / >=1)				Visible Transmittance (VT) Grids (None / <1 / >=1)			Condensation Resistance	
881	142.094 SH / Opt 11 (INN Refo LR/KR/BR, Foam): clr / air / clr (SS/SS) 3/4" IG											
	0.087	0.563	0.087					AIR		CL	P1-S	N,G,S
	U-Factor 0.45			SHGC (N / <1) 0.63 / 0.56				VT (N / <1) 0.65 / 0.58			CR	46
882	142.094 SH / Opt 11 (INN Refo LR/KR/BR, Foam): clr / air / clr (DS/DS) 3/4" IG											
	0.118	0.500	0.118					AIR		CL	P1-S	N,G,S
	U-Factor 0.44			SHGC (N / <1) 0.61 / 0.55				VT (N / <1) 0.65 / 0.58			CR	45
883	142.094 SH / Opt 11 (INN Refo LR/KR/BR, Foam): clr / air / clr (5mm/DS) 3/4" IG											
	0.185	0.438	0.118					AIR		CL	P1-S	N,G,S
	U-Factor 0.45			SHGC (N / <1) 0.59 / 0.53				VT (N / <1) 0.64 / 0.57			CR	45
884	142.094 SH / Opt 11 (INN Refo LR/KR/BR, Foam): clr / air / clr (5mm/DS) 3/4" IG											
	0.185	0.438	0.118					AIR		CL	P1-S	G
	U-Factor 0.45			SHGC (<1) 0.53				VT (<1) 0.57			CR	45
885	142.094 SH / Opt 11 (INN Refo LR/KR/BR, Foam): lami / air / clr (DS 090 DS/DS) 3/4" IG											
	0.264	0.345	0.118					AIR		CL	P1-S	N,S
	U-Factor 0.46			SHGC (N / <1) 0.56 / 0.51				VT (N / <1) 0.63 / 0.57			CR	44
	142.094 SH / Opt 11 (INN Refo LR/KR/BR, Foam): clr / air / lami (DS/DS 090 DS) 3/4" IG											
	0.118	0.345	0.264					AIR		CL	P1-S	N,S
	U-Factor 0.46			SHGC (N / <1) 0.59 / 0.53				VT (N / <1) 0.63 / 0.57			CR	44
886	142.094 SH / Opt 11 (INN Refo LR/KR/BR, Foam): lami / air / clr (DS 090 DS/DS) 3/4" IG											
	0.264	0.345	0.118					AIR		CL	P1-S	G,S
	U-Factor 0.47			SHGC (<1) 0.51				VT (<1) 0.57			CR	44
	142.094 SH / Opt 11 (INN Refo LR/KR/BR, Foam): clr / air / lami (DS/DS 090 DS) 3/4" IG											
	0.118	0.345	0.264					AIR		CL	P1-S	G,S
	U-Factor 0.47			SHGC (<1) 0.53				VT (<1) 0.57			CR	44
887	142.094 SH / Opt 11 (INN Refo LR/KR/BR, Foam): clr / air / clr / air / clr (SS/SS/SS) 3/4" IG (P1-S)											
	0.087	0.250	0.087	0.250	0.087			AIR		CL	P1-S	N,S
	U-Factor 0.37			SHGC (N / <1) 0.57 / 0.51				VT (N / <1) 0.60 / 0.54			CR	54
888	142.094 SH / Opt 11 (INN Refo LR/KR/BR, Foam): clr / air / clr / air / clr (SS/SS/SS) 3/4" IG (P1-S)											
	0.087	0.250	0.087	0.250	0.087			AIR		CL	P1-S	G,S
	U-Factor 0.38			SHGC (<1) 0.51				VT (<1) 0.54			CR	54

**NFRC 100/200/500 Summary Sheet
Windgate/Belmont/Stormgate Single Hung**

ID	Pane Thickness 1	Gap Width 1	Pane Thickness 2	Gap Width 2	Pane Thickness 3	Gap Width 3	Pane Thickness 4	Gap Fill	Low-e (Surface#)	Tint	Spacer	Grid Type
	U-Factor			Solar Heat Gain Coefficient (SHGC) Grids (None / <1 / >=1)				Visible Transmittance (VT) Grids (None / <1 / >=1)			Condensation Resistance	
889	142.094 SH / Opt 11 (INN Refo LR/KR/BR, Foam): E270 / air / clr (SS/SS) 3/4" IG											
	0.087	0.563	0.087					AIR	0.037(#2)	CL	P1-S	N,G,S
	U-Factor 0.31			SHGC (N / <1) 0.30 / 0.27				VT (N / <1) 0.55 / 0.49			CR	58
	142.094 SH / Opt 11 (INN Refo LR/KR/BR, Foam): clr / air / E270 (SS/SS) 3/4" IG											
	0.087	0.563	0.087					AIR	0.037(#3)	CL	P1-S	N,G,S
	U-Factor 0.31			SHGC (N / <1) 0.37 / 0.33				VT (N / <1) 0.55 / 0.49			CR	58
890	142.094 SH / Opt 11 (INN Refo LR/KR/BR, Foam): E270 / arg / clr (SS/SS) 3/4" IG											
	0.087	0.563	0.087					ARG90	0.037(#2)	CL	P1-S	N,G,S
	U-Factor 0.27			SHGC (N / <1) 0.29 / 0.26				VT (N / <1) 0.55 / 0.49			CR	62
	142.094 SH / Opt 11 (INN Refo LR/KR/BR, Foam): clr / arg / E270 (SS/SS) 3/4" IG											
	0.087	0.563	0.087					ARG90	0.037(#3)	CL	P1-S	N,G,S
	U-Factor 0.27			SHGC (N / <1) 0.37 / 0.33				VT (N / <1) 0.55 / 0.49			CR	62
891	142.094 SH / Opt 11 (INN Refo LR/KR/BR, Foam): E270 / air / clr (DS/DS) 3/4" IG											
	0.118	0.500	0.118					AIR	0.037(#2)	CL	P1-S	N,G,S
	U-Factor 0.30			SHGC (N / <1) 0.30 / 0.27				VT (N / <1) 0.55 / 0.49			CR	57
	142.094 SH / Opt 11 (INN Refo LR/KR/BR, Foam): clr / air / E270 (DS/DS) 3/4" IG											
	0.118	0.500	0.118					AIR	0.037(#3)	CL	P1-S	N,G,S
	U-Factor 0.30			SHGC (N / <1) 0.36 / 0.33				VT (N / <1) 0.55 / 0.49			CR	57
892	142.094 SH / Opt 11 (INN Refo LR/KR/BR, Foam): E270 / arg / clr (DS/DS) 3/4" IG											
	0.118	0.500	0.118					ARG90	0.037(#2)	CL	P1-S	N,G,S
	U-Factor 0.27			SHGC (N / <1) 0.29 / 0.26				VT (N / <1) 0.55 / 0.49			CR	61
	142.094 SH / Opt 11 (INN Refo LR/KR/BR, Foam): clr / arg / E270 (DS/DS) 3/4" IG											
	0.118	0.500	0.118					ARG90	0.037(#3)	CL	P1-S	N,G,S
	U-Factor 0.27			SHGC (N / <1) 0.36 / 0.33				VT (N / <1) 0.55 / 0.49			CR	61
893	142.094 SH / Opt 11 (INN Refo LR/KR/BR, Foam): lami / arg / E270 (DS 090 DS/DS) 3/4" IG											
	0.264	0.345	0.118					ARG90	0.037(#3)	CL	P1-S	N,S
	U-Factor 0.29			SHGC (N / <1) 0.35 / 0.31				VT (N / <1) 0.54 / 0.48			CR	59
	142.094 SH / Opt 11 (INN Refo LR/KR/BR, Foam): E270 / arg / lami (DS/DS 090 DS) 3/4" IG											
	0.118	0.345	0.264					ARG90	0.037(#2)	CL	P1-S	N,S
	U-Factor 0.29			SHGC (N / <1) 0.29 / 0.26				VT (N / <1) 0.54 / 0.48			CR	59

**NFRC 100/200/500 Summary Sheet
Windgate/Belmont/Stormgate Single Hung**

ID	Pane Thickness 1	Gap Width 1	Pane Thickness 2	Gap Width 2	Pane Thickness 3	Gap Width 3	Pane Thickness 4	Gap Width 4	Gap Fill	Low-e (Surface#)	Tint	Spacer	Grid Type
	U-Factor			Solar Heat Gain Coefficient (SHGC) Grids (None / <1 / >=1)				Visible Transmittance (VT) Grids (None / <1 / >=1)			Condensation Resistance		
894	142.094 SH / Opt 11 (INN Refo LR/KR/BR, Foam): lami / arg / E270 (DS 090 DS/DS) 3/4" IG												
	0.264	0.345	0.118						ARG90	0.037(#3)	CL	P1-S	G,S
	U-Factor 0.30			SHGC (<1) 0.31				VT (<1) 0.48			CR 59		
	142.094 SH / Opt 11 (INN Refo LR/KR/BR, Foam): E270 / arg / lami (DS/DS 090 DS) 3/4" IG												
	0.118	0.345	0.264						ARG90	0.037(#2)	CL	P1-S	G,S
	U-Factor 0.30			SHGC (<1) 0.26				VT (<1) 0.48			CR 59		
895	142.094 SH / Opt 11 (INN Refo LR/KR/BR, Foam): E270 / arg / clr / arg / E270 (SS/SS/SS) 3/4" IG (P1-S)												
	0.087	0.250	0.087	0.250	0.087				ARG90	0.037(#2) / 0.037(#5)	CL	P1-S	N,S
	U-Factor 0.23			SHGC (N / <1) 0.25 / 0.23				VT (N / <1) 0.43 / 0.39			CR 69		
896	142.094 SH / Opt 11 (INN Refo LR/KR/BR, Foam): E270 / arg / clr / arg / E270 (SS/SS/SS) 3/4" IG (P1-S)												
	0.087	0.250	0.087	0.250	0.087				ARG90	0.037(#2) / 0.037(#5)	CL	P1-S	G,S
	U-Factor 0.24			SHGC (<1) 0.23				VT (<1) 0.39			CR 69		
897	142.094 SH / Opt 11 (INN Refo LR/KR/BR, Foam): E366 / air / clr (SS/SS) 3/4" IG												
	0.087	0.563	0.087						AIR	0.022(#2)	CL	P1-S	N,G,S
	U-Factor 0.30			SHGC (N / <1) 0.22 / 0.20				VT (N / <1) 0.51 / 0.46			CR 59		
	142.094 SH / Opt 11 (INN Refo LR/KR/BR, Foam): clr / air / E366 (SS/SS) 3/4" IG												
	0.087	0.563	0.087						AIR	0.022(#3)	CL	P1-S	N,G,S
	U-Factor 0.30			SHGC (N / <1) 0.31 / 0.28				VT (N / <1) 0.51 / 0.46			CR 59		
898	142.094 SH / Opt 11 (INN Refo LR/KR/BR, Foam): E366 / arg / clr (SS/SS) 3/4" IG												
	0.087	0.563	0.087						ARG90	0.022(#2)	CL	P1-S	N,G,S
	U-Factor 0.26			SHGC (N / <1) 0.22 / 0.20				VT (N / <1) 0.51 / 0.46			CR 63		
	142.094 SH / Opt 11 (INN Refo LR/KR/BR, Foam): clr / arg / E366 (SS/SS) 3/4" IG												
	0.087	0.563	0.087						ARG90	0.022(#3)	CL	P1-S	N,G,S
	U-Factor 0.26			SHGC (N / <1) 0.31 / 0.28				VT (N / <1) 0.51 / 0.46			CR 63		
899	142.094 SH / Opt 11 (INN Refo LR/KR/BR, Foam): E366 / air / clr (DS/DS) 3/4" IG												
	0.117	0.500	0.118						AIR	0.022(#2)	CL	P1-S	N,G,S
	U-Factor 0.30			SHGC (N / <1) 0.22 / 0.20				VT (N / <1) 0.51 / 0.45			CR 58		
	142.094 SH / Opt 11 (INN Refo LR/KR/BR, Foam): clr / air / E366 (DS/DS) 3/4" IG												
	0.118	0.500	0.117						AIR	0.022(#3)	CL	P1-S	N,G,S
	U-Factor 0.30			SHGC (N / <1) 0.30 / 0.28				VT (N / <1) 0.51 / 0.45			CR 58		

NFRC 100/200/500 Summary Sheet Windgate/Belmont/Stormgate Single Hung

ID	Pane Thickness 1	Gap Width 1	Pane Thickness 2	Gap Width 2	Pane Thickness 3	Gap Width 3	Pane Thickness 4	Gap Fill	Low-e (Surface#)	Tint	Spacer	Grid Type
	U-Factor			Solar Heat Gain Coefficient (SHGC) Grids (None / <1 / >=1)				Visible Transmittance (VT) Grids (None / <1 / >=1)			Condensation Resistance	
900	142.094 SH / Opt 11 (INN Refo LR/KR/BR, Foam): E366 / arg / clr (DS/DS) 3/4" IG											
	0.117	0.500	0.118					ARG90	0.022(#2)	CL	P1-S	N,G,S
	U-Factor 0.26			SHGC (N / <1) 0.22 / 0.20				VT (N / <1) 0.51 / 0.45			CR 62	
	142.094 SH / Opt 11 (INN Refo LR/KR/BR, Foam): clr / arg / E366 (DS/DS) 3/4" IG											
	0.118	0.500	0.117					ARG90	0.022(#3)	CL	P1-S	N,G,S
	U-Factor 0.26			SHGC (N / <1) 0.31 / 0.28				VT (N / <1) 0.51 / 0.45			CR 62	
901	142.094 SH / Opt 11 (INN Refo LR/KR/BR, Foam): lami / arg / E366 (DS 090 DS/DS) 3/4" IG											
	0.264	0.345	0.117					ARG90	0.022(#3)	CL	P1-S	N,S
	U-Factor 0.28			SHGC (N / <1) 0.29 / 0.27				VT (N / <1) 0.50 / 0.44			CR 60	
	142.094 SH / Opt 11 (INN Refo LR/KR/BR, Foam): E366 / arg / lami (DS/DS 090 DS) 3/4" IG											
	0.117	0.345	0.264					ARG90	0.022(#2)	CL	P1-S	N,S
	U-Factor 0.28			SHGC (N / <1) 0.22 / 0.20				VT (N / <1) 0.50 / 0.44			CR 60	
902	142.094 SH / Opt 11 (INN Refo LR/KR/BR, Foam): lami / arg / E366 (DS 090 DS/DS) 3/4" IG											
	0.264	0.345	0.117					ARG90	0.022(#3)	CL	P1-S	G,S
	U-Factor 0.30			SHGC (<1) 0.27				VT (<1) 0.44			CR 60	
	142.094 SH / Opt 11 (INN Refo LR/KR/BR, Foam): E366 / arg / lami (DS/DS 090 DS) 3/4" IG											
	0.117	0.345	0.264					ARG90	0.022(#2)	CL	P1-S	G,S
	U-Factor 0.30			SHGC (<1) 0.20				VT (<1) 0.44			CR 60	
903	142.094 SH / Opt 11 (INN Refo LR/KR/BR, Foam): E366 / arg / clr / arg / E366 (SS/SS/SS) 3/4" IG (P1-S)											
	0.087	0.250	0.087	0.250	0.087			ARG90	0.022(#2) / 0.022(#5)	CL	P1-S	N,S
	U-Factor 0.23			SHGC (N / <1) 0.19 / 0.17				VT (N / <1) 0.37 / 0.33			CR 70	
904	142.094 SH / Opt 11 (INN Refo LR/KR/BR, Foam): E366 / arg / clr / arg / E366 (SS/SS/SS) 3/4" IG (P1-S)											
	0.087	0.250	0.087	0.250	0.087			ARG90	0.022(#2) / 0.022(#5)	CL	P1-S	G,S
	U-Factor 0.23			SHGC (<1) 0.17				VT (<1) 0.33			CR 70	
905	142.094 SH / Opt 11 (INN Refo LR/KR/BR, Foam): 70/36 / air / clr (SS/SS) 3/4" IG											
	0.090	0.563	0.090					AIR	0.036(#2)	CL	P1-S	N,G,S
	U-Factor 0.30			SHGC (N / <1) 0.31 / 0.28				VT (N / <1) 0.55 / 0.49			CR 58	
	142.094 SH / Opt 11 (INN Refo LR/KR/BR, Foam): clr / air / 70/36 (SS/SS) 3/4" IG											
	0.090	0.563	0.090					AIR	0.036(#3)	CL	P1-S	N,G,S
	U-Factor 0.30			SHGC (N / <1) 0.39 / 0.35				VT (N / <1) 0.55 / 0.49			CR 58	

**NFRC 100/200/500 Summary Sheet
Windgate/Belmont/Stormgate Single Hung**

ID	Pane Thickness 1	Gap Width 1	Pane Thickness 2	Gap Width 2	Pane Thickness 3	Gap Width 3	Pane Thickness 4	Gap Fill	Low-e (Surface#)	Tint	Spacer	Grid Type
	U-Factor			Solar Heat Gain Coefficient (SHGC) Grids (None / <1 / >=1)				Visible Transmittance (VT) Grids (None / <1 / >=1)			Condensation Resistance	
906	142.094 SH / Opt 11 (INN Refo LR/KR/BR, Foam): 70/36 / arg / clr (SS/SS) 3/4" IG											
	0.090	0.563	0.090					ARG90	0.036(#2)	CL	P1-S	N,G,S
	U-Factor 0.27			SHGC (N / <1) 0.31 / 0.28				VT (N / <1) 0.55 / 0.49			CR	62
	142.094 SH / Opt 11 (INN Refo LR/KR/BR, Foam): clr / arg / 70/36 (SS/SS) 3/4" IG											
	0.090	0.563	0.090					ARG90	0.036(#3)	CL	P1-S	N,G,S
	U-Factor 0.27			SHGC (N / <1) 0.39 / 0.35				VT (N / <1) 0.55 / 0.49			CR	62
907	142.094 SH / Opt 11 (INN Refo LR/KR/BR, Foam): 70/36 / air / clr (DS/DS) 3/4" IG											
	0.117	0.500	0.117					AIR	0.036(#2)	CL	P1-S	N,G,S
	U-Factor 0.30			SHGC (N / <1) 0.31 / 0.28				VT (N / <1) 0.55 / 0.49			CR	57
	142.094 SH / Opt 11 (INN Refo LR/KR/BR, Foam): clr / air / 70/36 (DS/DS) 3/4" IG											
	0.117	0.500	0.117					AIR	0.036(#3)	CL	P1-S	N,G,S
	U-Factor 0.30			SHGC (N / <1) 0.38 / 0.34				VT (N / <1) 0.55 / 0.49			CR	57
908	142.094 SH / Opt 11 (INN Refo LR/KR/BR, Foam): 70/36 / arg / clr (DS/DS) 3/4" IG											
	0.117	0.500	0.117					ARG90	0.036(#2)	CL	P1-S	N,G,S
	U-Factor 0.27			SHGC (N / <1) 0.30 / 0.27				VT (N / <1) 0.55 / 0.49			CR	61
	142.094 SH / Opt 11 (INN Refo LR/KR/BR, Foam): clr / arg / 70/36 (DS/DS) 3/4" IG											
	0.117	0.500	0.117					ARG90	0.036(#3)	CL	P1-S	N,G,S
	U-Factor 0.27			SHGC (N / <1) 0.38 / 0.35				VT (N / <1) 0.55 / 0.49			CR	61
909	142.094 SH / Opt 11 (INN Refo LR/KR/BR, Foam): lami / arg / 70/36 (DS 090 DS/DS) 3/4" IG											
	0.264	0.345	0.117					ARG90	0.036(#3)	CL	P1-S	N,S
	U-Factor 0.29			SHGC (N / <1) 0.36 / 0.33				VT (N / <1) 0.54 / 0.48			CR	59
	142.094 SH / Opt 11 (INN Refo LR/KR/BR, Foam): 70/36 / arg / lami (DS/DS 090 DS) 3/4" IG											
	0.117	0.345	0.264					ARG90	0.036(#2)	CL	P1-S	N,S
	U-Factor 0.29			SHGC (N / <1) 0.30 / 0.27				VT (N / <1) 0.54 / 0.48			CR	59
910	142.094 SH / Opt 11 (INN Refo LR/KR/BR, Foam): lami / arg / 70/36 (DS 090 DS/DS) 3/4" IG											
	0.264	0.345	0.117					ARG90	0.036(#3)	CL	P1-S	G,S
	U-Factor 0.30			SHGC (<1) 0.33				VT (<1) 0.48			CR	59
	142.094 SH / Opt 11 (INN Refo LR/KR/BR, Foam): 70/36 / arg / lami (DS/DS 090 DS) 3/4" IG											
	0.117	0.345	0.264					ARG90	0.036(#2)	CL	P1-S	G,S
	U-Factor 0.30			SHGC (<1) 0.27				VT (<1) 0.48			CR	59

**NFRC 100/200/500 Summary Sheet
Windgate/Belmont/Stormgate Single Hung**

ID	Pane Thickness 1	Gap Width 1	Pane Thickness 2	Gap Width 2	Pane Thickness 3	Gap Width 3	Pane Thickness 4	Gap Fill	Low-e (Surface#)	Tint	Spacer	Grid Type
	U-Factor			Solar Heat Gain Coefficient (SHGC) Grids (None / <1 / >=1)				Visible Transmittance (VT) Grids (None / <1 / >=1)			Condensation Resistance	
911	142.094 SH / Opt 11 (INN Refo LR/KR/BR, Foam): 70/36 / arg / clr / arg / 70/36 (SS/SS/SS) 3/4" IG											
	0.090	0.250	0.090	0.250	0.090			ARG90	0.036(#2) / 0.036(#5)	CL	P1-S	N,S
	U-Factor 0.23			SHGC (N / <1) 0.26 / 0.24				VT (N / <1) 0.43 / 0.39			CR 69	
912	142.094 SH / Opt 11 (INN Refo LR/KR/BR, Foam): 70/36 / arg / clr / arg / 70/36 (SS/SS/SS) 3/4" IG											
	0.090	0.250	0.090	0.250	0.090			ARG90	0.036(#2) / 0.036(#5)	CL	P1-S	G,S
	U-Factor 0.24			SHGC (<1) 0.24				VT (<1) 0.39			CR 69	
913	142.094 SH / Opt 11 (INN Refo LR/KR/BR, Foam): 80/70 / air / clr (SS/SS) 3/4" IG											
	0.090	0.563	0.090					AIR	0.095(#2)	CL	P1-S	N,G,S
	U-Factor 0.32			SHGC (N / <1) 0.53 / 0.48				VT (N / <1) 0.64 / 0.57			CR 57	
	142.094 SH / Opt 11 (INN Refo LR/KR/BR, Foam): clr / air / 80/70 (SS/SS) 3/4" IG											
	0.090	0.563	0.090					AIR	0.095(#3)	CL	P1-S	N,G,S
	U-Factor 0.32			SHGC (N / <1) 0.56 / 0.50				VT (N / <1) 0.64 / 0.57			CR 57	
914	142.094 SH / Opt 11 (INN Refo LR/KR/BR, Foam): 80/70 / arg / clr (SS/SS) 3/4" IG											
	0.090	0.563	0.090					ARG90	0.095(#2)	CL	P1-S	N,G,S
	U-Factor 0.29			SHGC (N / <1) 0.53 / 0.48				VT (N / <1) 0.64 / 0.57			CR 61	
	142.094 SH / Opt 11 (INN Refo LR/KR/BR, Foam): clr / arg / 80/70 (SS/SS) 3/4" IG											
	0.090	0.563	0.090					ARG90	0.095(#3)	CL	P1-S	N,G,S
	U-Factor 0.29			SHGC (N / <1) 0.56 / 0.50				VT (N / <1) 0.64 / 0.57			CR 61	
915	142.094 SH / Opt 11 (INN Refo LR/KR/BR, Foam): 80/70 / air / clr (DS/DS) 3/4" IG											
	0.117	0.500	0.117					AIR	0.095(#2)	CL	P1-S	N,G,S
	U-Factor 0.32			SHGC (N / <1) 0.52 / 0.47				VT (N / <1) 0.63 / 0.57			CR 56	
	142.094 SH / Opt 11 (INN Refo LR/KR/BR, Foam): clr / air / 80/70 (DS/DS) 3/4" IG											
	0.117	0.500	0.117					AIR	0.095(#3)	CL	P1-S	N,G,S
	U-Factor 0.32			SHGC (N / <1) 0.55 / 0.50				VT (N / <1) 0.63 / 0.57			CR 56	
916	142.094 SH / Opt 11 (INN Refo LR/KR/BR, Foam): 80/70 / arg / clr (DS/DS) 3/4" IG											
	0.117	0.500	0.117					ARG90	0.095(#2)	CL	P1-S	N,G,S
	U-Factor 0.28			SHGC (N / <1) 0.52 / 0.47				VT (N / <1) 0.63 / 0.57			CR 60	
	142.094 SH / Opt 11 (INN Refo LR/KR/BR, Foam): clr / arg / 80/70 (DS/DS) 3/4" IG											
	0.117	0.500	0.117					ARG90	0.095(#3)	CL	P1-S	N,G,S
	U-Factor 0.28			SHGC (N / <1) 0.55 / 0.50				VT (N / <1) 0.63 / 0.57			CR 60	

NFRC 100/200/500 Summary Sheet Windgate/Belmont/Stormgate Single Hung

ID	Pane Thickness 1	Gap Width 1	Pane Thickness 2	Gap Width 2	Pane Thickness 3	Gap Width 3	Pane Thickness 4	Gap Fill	Low-e (Surface#)	Tint	Spacer	Grid Type
	U-Factor			Solar Heat Gain Coefficient (SHGC) Grids (None / <1 / >=1)				Visible Transmittance (VT) Grids (None / <1 / >=1)			Condensation Resistance	
917	142.094 SH / Opt 11 (INN Refo LR/KR/BR, Foam): lami / arg / 80/70 (DS 090 DS/DS) 3/4" IG											
	0.264	0.345	0.117					ARG90	0.095(#3)	CL	P1-S	N,S
	U-Factor 0.30			SHGC (N / <1) 0.51 / 0.46				VT (N / <1) 0.62 / 0.56			CR 58	
	142.094 SH / Opt 11 (INN Refo LR/KR/BR, Foam): 80/70 / arg / lami (DS/DS 090 DS) 3/4" IG											
	0.117	0.345	0.264					ARG90	0.095(#2)	CL	P1-S	N,S
	U-Factor 0.30			SHGC (N / <1) 0.51 / 0.46				VT (N / <1) 0.62 / 0.56			CR 58	
918	142.094 SH / Opt 11 (INN Refo LR/KR/BR, Foam): lami / arg / 80/70 (DS 090 DS/DS) 3/4" IG											
	0.264	0.345	0.117					ARG90	0.095(#3)	CL	P1-S	G,S
	U-Factor 0.32			SHGC (<1) 0.46				VT (<1) 0.56			CR 58	
	142.094 SH / Opt 11 (INN Refo LR/KR/BR, Foam): 80/70 / arg / lami (DS/DS 090 DS) 3/4" IG											
	0.117	0.345	0.264					ARG90	0.095(#2)	CL	P1-S	G,S
	U-Factor 0.32			SHGC (<1) 0.46				VT (<1) 0.56			CR 58	
919	142.094 SH / Opt 11 (INN Refo LR/KR/BR, Foam): 80/70 / arg / clr / arg / 80/70 (SS/SS/SS) 3/4" IG											
	0.090	0.250	0.090	0.250	0.090			ARG90	0.095(#2) / 0.095(#5)	CL	P1-S	N,S
	U-Factor 0.24			SHGC (N / <1) 0.47 / 0.42				VT (N / <1) 0.58 / 0.51			CR 68	
920	142.094 SH / Opt 11 (INN Refo LR/KR/BR, Foam): 80/70 / arg / clr / arg / 80/70 (SS/SS/SS) 3/4" IG											
	0.090	0.250	0.090	0.250	0.090			ARG90	0.095(#2) / 0.095(#5)	CL	P1-S	G,S
	U-Factor 0.25			SHGC (<1) 0.42				VT (<1) 0.51			CR 68	
921	142.094 SH / Opt 11 (INN Refo LR/KR/BR, Foam): clr / air / clr (SS/SS) 3/4" IG											
	0.087	0.563	0.087					AIR		CL	SS-D	N,G,S
	U-Factor 0.45			SHGC (N / <1) 0.63 / 0.56				VT (N / <1) 0.65 / 0.58			CR 44	
922	142.094 SH / Opt 11 (INN Refo LR/KR/BR, Foam): clr / air / clr (DS/DS) 3/4" IG											
	0.118	0.500	0.118					AIR		CL	SS-D	N,G,S
	U-Factor 0.45			SHGC (N / <1) 0.61 / 0.55				VT (N / <1) 0.65 / 0.58			CR 44	
923	142.094 SH / Opt 11 (INN Refo LR/KR/BR, Foam): clr / air / clr (5mm/DS) 3/4" IG											
	0.185	0.438	0.118					AIR		CL	SS-D	N,G,S
	U-Factor 0.46			SHGC (N / <1) 0.59 / 0.53				VT (N / <1) 0.64 / 0.57			CR 44	
924	142.094 SH / Opt 11 (INN Refo LR/KR/BR, Foam): clr / air / clr (5mm/DS) 3/4" IG											
	0.185	0.438	0.118					AIR		CL	SS-D	G
	U-Factor 0.46			SHGC (<1) 0.53				VT (<1) 0.57			CR 44	

NFRC 100/200/500 Summary Sheet Windgate/Belmont/Stormgate Single Hung

ID	Pane Thickness 1	Gap Width 1	Pane Thickness 2	Gap Width 2	Pane Thickness 3	Gap Width 3	Pane Thickness 4	Gap Fill	Low-e (Surface#)	Tint	Spacer	Grid Type
	U-Factor			Solar Heat Gain Coefficient (SHGC) Grids (None / <1 / >=1)				Visible Transmittance (VT) Grids (None / <1 / >=1)			Condensation Resistance	
925	142.094 SH / Opt 11 (INN Refo LR/KR/BR, Foam): lami / air / clr (DS 090 DS/DS) 3/4" IG											
	0.264	0.345	0.118					AIR		CL	SS-D	N,S
	U-Factor 0.47			SHGC (N / <1) 0.56 / 0.51				VT (N / <1) 0.63 / 0.57			CR 43	
926	142.094 SH / Opt 11 (INN Refo LR/KR/BR, Foam): clr / air / lami (DS/DS 090 DS) 3/4" IG											
	0.118	0.345	0.264					AIR		CL	SS-D	N,S
	U-Factor 0.47			SHGC (N / <1) 0.59 / 0.53				VT (N / <1) 0.63 / 0.57			CR 43	
927	142.094 SH / Opt 11 (INN Refo LR/KR/BR, Foam): lami / air / clr (DS 090 DS/DS) 3/4" IG											
	0.264	0.345	0.118					AIR		CL	SS-D	G,S
	U-Factor 0.48			SHGC (<1) 0.51				VT (<1) 0.57			CR 43	
928	142.094 SH / Opt 11 (INN Refo LR/KR/BR, Foam): clr / air / lami (DS/DS 090 DS) 3/4" IG											
	0.118	0.345	0.264					AIR		CL	SS-D	G,S
	U-Factor 0.48			SHGC (<1) 0.53				VT (<1) 0.57			CR 43	
929	142.094 SH / Opt 11 (INN Refo LR/KR/BR, Foam): clr / air / clr / air / clr (SS/SS/SS) 3/4" IG (P1-S)											
	0.087	0.250	0.087	0.250	0.087			AIR		CL	SS-D	N,S
	U-Factor 0.37			SHGC (N / <1) 0.57 / 0.51				VT (N / <1) 0.60 / 0.54			CR 54	
930	142.094 SH / Opt 11 (INN Refo LR/KR/BR, Foam): clr / air / clr / air / clr (SS/SS/SS) 3/4" IG (P1-S)											
	0.087	0.250	0.087	0.250	0.087			AIR		CL	SS-D	G,S
	U-Factor 0.38			SHGC (<1) 0.51				VT (<1) 0.54			CR 54	
929	142.094 SH / Opt 11 (INN Refo LR/KR/BR, Foam): E270 / air / clr (SS/SS) 3/4" IG											
	0.087	0.563	0.087					AIR	0.037(#2)	CL	SS-D	N,G,S
	U-Factor 0.32			SHGC (N / <1) 0.30 / 0.27				VT (N / <1) 0.55 / 0.49			CR 56	
930	142.094 SH / Opt 11 (INN Refo LR/KR/BR, Foam): clr / arg / clr (SS/SS) 3/4" IG											
	0.087	0.563	0.087					ARG90	0.037(#2)	CL	SS-D	N,G,S
	U-Factor 0.28			SHGC (N / <1) 0.29 / 0.26				VT (N / <1) 0.55 / 0.49			CR 59	
930	142.094 SH / Opt 11 (INN Refo LR/KR/BR, Foam): clr / arg / E270 (SS/SS) 3/4" IG											
	0.087	0.563	0.087					ARG90	0.037(#3)	CL	SS-D	N,G,S
	U-Factor 0.28			SHGC (N / <1) 0.37 / 0.33				VT (N / <1) 0.55 / 0.49			CR 59	

**NFRC 100/200/500 Summary Sheet
Windgate/Belmont/Stormgate Single Hung**

ID	Pane Thickness 1	Gap Width 1	Pane Thickness 2	Gap Width 2	Pane Thickness 3	Gap Width 3	Pane Thickness 4	Gap Fill	Low-e (Surface#)	Tint	Spacer	Grid Type
	U-Factor			Solar Heat Gain Coefficient (SHGC) Grids (None / <1 / >=1)				Visible Transmittance (VT) Grids (None / <1 / >=1)			Condensation Resistance	
931	142.094 SH / Opt 11 (INN Refo LR/KR/BR, Foam): E270 / air / clr (DS/DS) 3/4" IG											
	0.118	0.500	0.118					AIR	0.037(#2)	CL	SS-D	N,G,S
	U-Factor 0.31			SHGC (N / <1) 0.30 / 0.27				VT (N / <1) 0.55 / 0.49			CR 55	
	142.094 SH / Opt 11 (INN Refo LR/KR/BR, Foam): clr / air / E270 (DS/DS) 3/4" IG											
	0.118	0.500	0.118					AIR	0.037(#3)	CL	SS-D	N,G,S
	U-Factor 0.31			SHGC (N / <1) 0.36 / 0.33				VT (N / <1) 0.55 / 0.49			CR 55	
932	142.094 SH / Opt 11 (INN Refo LR/KR/BR, Foam): E270 / arg / clr (DS/DS) 3/4" IG											
	0.118	0.500	0.118					ARG90	0.037(#2)	CL	SS-D	N,G,S
	U-Factor 0.28			SHGC (N / <1) 0.29 / 0.26				VT (N / <1) 0.55 / 0.49			CR 59	
	142.094 SH / Opt 11 (INN Refo LR/KR/BR, Foam): clr / arg / E270 (DS/DS) 3/4" IG											
	0.118	0.500	0.118					ARG90	0.037(#3)	CL	SS-D	N,G,S
	U-Factor 0.28			SHGC (N / <1) 0.36 / 0.33				VT (N / <1) 0.55 / 0.49			CR 59	
933	142.094 SH / Opt 11 (INN Refo LR/KR/BR, Foam): lami / arg / E270 (DS 090 DS/DS) 3/4" IG											
	0.264	0.345	0.118					ARG90	0.037(#3)	CL	SS-D	N,S
	U-Factor 0.30			SHGC (N / <1) 0.35 / 0.31				VT (N / <1) 0.54 / 0.48			CR 56	
	142.094 SH / Opt 11 (INN Refo LR/KR/BR, Foam): E270 / arg / lami (DS/DS 090 DS) 3/4" IG											
	0.118	0.345	0.264					ARG90	0.037(#2)	CL	SS-D	N,S
	U-Factor 0.30			SHGC (N / <1) 0.29 / 0.26				VT (N / <1) 0.54 / 0.48			CR 56	
934	142.094 SH / Opt 11 (INN Refo LR/KR/BR, Foam): lami / arg / E270 (DS 090 DS/DS) 3/4" IG											
	0.264	0.345	0.118					ARG90	0.037(#3)	CL	SS-D	G,S
	U-Factor 0.31			SHGC (<1) 0.31				VT (<1) 0.48			CR 56	
	142.094 SH / Opt 11 (INN Refo LR/KR/BR, Foam): E270 / arg / lami (DS/DS 090 DS) 3/4" IG											
	0.118	0.345	0.264					ARG90	0.037(#2)	CL	SS-D	G,S
	U-Factor 0.31			SHGC (<1) 0.26				VT (<1) 0.48			CR 56	
935	142.094 SH / Opt 11 (INN Refo LR/KR/BR, Foam): E270 / arg / clr / arg / E270 (SS/SS/SS) 3/4" IG (SS-D)											
	0.087	0.266	0.087	0.266	0.087			ARG90	0.037(#2) / 0.037(#5)	CL	SS-D	N,S
	U-Factor 0.23			SHGC (N / <1) 0.25 / 0.23				VT (N / <1) 0.43 / 0.39			CR 67	
936	142.094 SH / Opt 11 (INN Refo LR/KR/BR, Foam): E270 / arg / clr / arg / E270 (SS/SS/SS) 3/4" IG (SS-D)											
	0.087	0.266	0.087	0.266	0.087			ARG90	0.037(#2) / 0.037(#5)	CL	SS-D	G,S
	U-Factor 0.24			SHGC (<1) 0.23				VT (<1) 0.39			CR 67	

**NFRC 100/200/500 Summary Sheet
 Windgate/Belmont/Stormgate Single Hung**

ID	Pane Thickness 1	Gap Width 1	Pane Thickness 2	Gap Width 2	Pane Thickness 3	Gap Width 3	Pane Thickness 4	Gap Fill	Low-e (Surface#)	Tint	Spacer	Grid Type
	U-Factor			Solar Heat Gain Coefficient (SHGC) Grids (None / <1 / >=1)				Visible Transmittance (VT) Grids (None / <1 / >=1)			Condensation Resistance	
937	142.094 SH / Opt 11 (INN Refo LR/KR/BR, Foam): E366 / air / clr (SS/SS) 3/4" IG											
	0.087	0.563	0.087					AIR	0.022(#2)	CL	SS-D	N,G,S
	U-Factor 0.31			SHGC (N / <1) 0.22 / 0.20				VT (N / <1) 0.51 / 0.46			CR 56	
	142.094 SH / Opt 11 (INN Refo LR/KR/BR, Foam): clr / air / E366 (SS/SS) 3/4" IG											
	0.087	0.563	0.087					AIR	0.022(#3)	CL	SS-D	N,G,S
	U-Factor 0.31			SHGC (N / <1) 0.31 / 0.28				VT (N / <1) 0.51 / 0.46			CR 56	
938	142.094 SH / Opt 11 (INN Refo LR/KR/BR, Foam): E366 / arg / clr (SS/SS) 3/4" IG											
	0.087	0.563	0.087					ARG90	0.022(#2)	CL	SS-D	N,G,S
	U-Factor 0.28			SHGC (N / <1) 0.22 / 0.20				VT (N / <1) 0.51 / 0.46			CR 60	
	142.094 SH / Opt 11 (INN Refo LR/KR/BR, Foam): clr / arg / E366 (SS/SS) 3/4" IG											
	0.087	0.563	0.087					ARG90	0.022(#3)	CL	SS-D	N,G,S
	U-Factor 0.28			SHGC (N / <1) 0.31 / 0.28				VT (N / <1) 0.51 / 0.46			CR 60	
939	142.094 SH / Opt 11 (INN Refo LR/KR/BR, Foam): E366 / air / clr (DS/DS) 3/4" IG											
	0.117	0.500	0.118					AIR	0.022(#2)	CL	SS-D	N,G,S
	U-Factor 0.31			SHGC (N / <1) 0.22 / 0.20				VT (N / <1) 0.51 / 0.45			CR 55	
	142.094 SH / Opt 11 (INN Refo LR/KR/BR, Foam): clr / air / E366 (DS/DS) 3/4" IG											
	0.118	0.500	0.117					AIR	0.022(#3)	CL	SS-D	N,G,S
	U-Factor 0.31			SHGC (N / <1) 0.30 / 0.28				VT (N / <1) 0.51 / 0.45			CR 55	
940	142.094 SH / Opt 11 (INN Refo LR/KR/BR, Foam): E366 / arg / clr (DS/DS) 3/4" IG											
	0.117	0.500	0.118					ARG90	0.022(#2)	CL	SS-D	N,G,S
	U-Factor 0.27			SHGC (N / <1) 0.22 / 0.20				VT (N / <1) 0.51 / 0.45			CR 59	
	142.094 SH / Opt 11 (INN Refo LR/KR/BR, Foam): clr / arg / E366 (DS/DS) 3/4" IG											
	0.118	0.500	0.117					ARG90	0.022(#3)	CL	SS-D	N,G,S
	U-Factor 0.27			SHGC (N / <1) 0.31 / 0.28				VT (N / <1) 0.51 / 0.45			CR 59	
941	142.094 SH / Opt 11 (INN Refo LR/KR/BR, Foam): lami / arg / E366 (DS 090 DS/DS) 3/4" IG											
	0.264	0.345	0.117					ARG90	0.022(#3)	CL	SS-D	N,S
	U-Factor 0.29			SHGC (N / <1) 0.29 / 0.27				VT (N / <1) 0.50 / 0.44			CR 57	
	142.094 SH / Opt 11 (INN Refo LR/KR/BR, Foam): E366 / arg / lami (DS/DS 090 DS) 3/4" IG											
	0.117	0.345	0.264					ARG90	0.022(#2)	CL	SS-D	N,S
	U-Factor 0.29			SHGC (N / <1) 0.22 / 0.20				VT (N / <1) 0.50 / 0.44			CR 57	

**NFRC 100/200/500 Summary Sheet
Windgate/Belmont/Stormgate Single Hung**

ID	Pane Thickness 1	Gap Width 1	Pane Thickness 2	Gap Width 2	Pane Thickness 3	Gap Width 3	Pane Thickness 4	Gap Width 4	Gap Fill	Low-e (Surface#)	Tint	Spacer	Grid Type
	U-Factor			Solar Heat Gain Coefficient (SHGC) Grids (None / <1 / >=1)					Visible Transmittance (VT) Grids (None / <1 / >=1)			Condensation Resistance	
942	142.094 SH / Opt 11 (INN Refo LR/KR/BR, Foam): lami / arg / E366 (DS 090 DS/DS) 3/4" IG												
	0.264	0.345	0.117						ARG90	0.022(#3)	CL	SS-D	G,S
	U-Factor 0.31			SHGC (<1) 0.27					VT (<1) 0.44			CR 57	
	142.094 SH / Opt 11 (INN Refo LR/KR/BR, Foam): E366 / arg / lami (DS/DS 090 DS) 3/4" IG												
	0.117	0.345	0.264						ARG90	0.022(#2)	CL	SS-D	G,S
	U-Factor 0.31			SHGC (<1) 0.20					VT (<1) 0.44			CR 57	
943	142.094 SH / Opt 11 (INN Refo LR/KR/BR, Foam): E366 / arg / clr / arg / E366 (SS/SS/SS) 3/4" IG (SS-D)												
	0.087	0.266	0.087	0.266	0.087				ARG90	0.022(#2) / 0.022(#5)	CL	SS-D	N,S
	U-Factor 0.23			SHGC (N / <1) 0.19 / 0.17					VT (N / <1) 0.37 / 0.33			CR 67	
944	142.094 SH / Opt 11 (INN Refo LR/KR/BR, Foam): E366 / arg / clr / arg / E366 (SS/SS/SS) 3/4" IG (SS-D)												
	0.087	0.266	0.087	0.266	0.087				ARG90	0.022(#2) / 0.022(#5)	CL	SS-D	G,S
	U-Factor 0.24			SHGC (<1) 0.17					VT (<1) 0.33			CR 67	
945	142.094 SH / Opt 11 (INN Refo LR/KR/BR, Foam): clr / air / clr (SS/SS) 3/4" IG												
	0.087	0.563	0.087						AIR		CL	TS-D	N,G,S
	U-Factor 0.45			SHGC (N / <1) 0.63 / 0.56					VT (N / <1) 0.65 / 0.58			CR 44	
946	142.094 SH / Opt 11 (INN Refo LR/KR/BR, Foam): clr / air / clr (DS/DS) 3/4" IG												
	0.118	0.500	0.118						AIR		CL	TS-D	N,G,S
	U-Factor 0.45			SHGC (N / <1) 0.61 / 0.55					VT (N / <1) 0.65 / 0.58			CR 43	
947	142.094 SH / Opt 11 (INN Refo LR/KR/BR, Foam): clr / air / clr (5mm/DS) 3/4" IG												
	0.185	0.438	0.118						AIR		CL	TS-D	N,G,S
	U-Factor 0.46			SHGC (N / <1) 0.59 / 0.53					VT (N / <1) 0.64 / 0.57			CR 43	
948	142.094 SH / Opt 11 (INN Refo LR/KR/BR, Foam): clr / air / clr (5mm/DS) 3/4" IG												
	0.185	0.438	0.118						AIR		CL	TS-D	G
	U-Factor 0.46			SHGC (<1) 0.53					VT (<1) 0.57			CR 43	
949	142.094 SH / Opt 11 (INN Refo LR/KR/BR, Foam): lami / air / clr (DS 090 DS/DS) 3/4" IG												
	0.264	0.345	0.118						AIR		CL	TS-D	N,S
	U-Factor 0.47			SHGC (N / <1) 0.56 / 0.51					VT (N / <1) 0.63 / 0.57			CR 42	
	142.094 SH / Opt 11 (INN Refo LR/KR/BR, Foam): clr / air / lami (DS/DS 090 DS) 3/4" IG												
	0.118	0.345	0.264						AIR		CL	TS-D	N,S
	U-Factor 0.47			SHGC (N / <1) 0.59 / 0.53					VT (N / <1) 0.63 / 0.57			CR 42	

**NFRC 100/200/500 Summary Sheet
Windgate/Belmont/Stormgate Single Hung**

ID	Pane Thickness 1	Gap Width 1	Pane Thickness 2	Gap Width 2	Pane Thickness 3	Gap Width 3	Pane Thickness 4	Gap Fill	Low-e (Surface#)	Tint	Spacer	Grid Type
	U-Factor			Solar Heat Gain Coefficient (SHGC) Grids (None / <1 / >=1)				Visible Transmittance (VT) Grids (None / <1 / >=1)			Condensation Resistance	
950	142.094 SH / Opt 11 (INN Refo LR/KR/BR, Foam): lami / air / clr (DS 090 DS/DS) 3/4" IG											
	0.264	0.345	0.118					AIR		CL	TS-D	G,S
	U-Factor 0.48			SHGC (<1) 0.51				VT (<1) 0.57			CR 42	
	142.094 SH / Opt 11 (INN Refo LR/KR/BR, Foam): clr / air / lami (DS/DS 090 DS) 3/4" IG											
	0.118	0.345	0.264					AIR		CL	TS-D	G,S
	U-Factor 0.48			SHGC (<1) 0.53				VT (<1) 0.57			CR 42	
951	142.094 SH / Opt 11 (INN Refo LR/KR/BR, Foam): clr / air / clr / air / clr (SS/SS/SS) 3/4" IG (P1-S)											
	0.087	0.250	0.087	0.250	0.087			AIR		CL	TS-D	N,S
	U-Factor 0.38			SHGC (N / <1) 0.57 / 0.51				VT (N / <1) 0.60 / 0.54			CR 52	
952	142.094 SH / Opt 11 (INN Refo LR/KR/BR, Foam): clr / air / clr / air / clr (SS/SS/SS) 3/4" IG (P1-S)											
	0.087	0.250	0.087	0.250	0.087			AIR		CL	TS-D	G,S
	U-Factor 0.39			SHGC (<1) 0.51				VT (<1) 0.54			CR 52	
953	142.094 SH / Opt 11 (INN Refo LR/KR/BR, Foam): 70/36 / air / clr (SS/SS) 3/4" IG											
	0.090	0.563	0.090					AIR	0.036(#2)	CL	TS-D	N,G,S
	U-Factor 0.32			SHGC (N / <1) 0.31 / 0.28				VT (N / <1) 0.55 / 0.49			CR 55	
	142.094 SH / Opt 11 (INN Refo LR/KR/BR, Foam): clr / air / 70/36 (SS/SS) 3/4" IG											
	0.090	0.563	0.090					AIR	0.036(#3)	CL	TS-D	N,G,S
	U-Factor 0.32			SHGC (N / <1) 0.39 / 0.35				VT (N / <1) 0.55 / 0.49			CR 55	
954	142.094 SH / Opt 11 (INN Refo LR/KR/BR, Foam): 70/36 / arg / clr (SS/SS) 3/4" IG											
	0.090	0.563	0.090					ARG90	0.036(#2)	CL	TS-D	N,G,S
	U-Factor 0.28			SHGC (N / <1) 0.31 / 0.28				VT (N / <1) 0.55 / 0.49			CR 58	
	142.094 SH / Opt 11 (INN Refo LR/KR/BR, Foam): clr / arg / 70/36 (SS/SS) 3/4" IG											
	0.090	0.563	0.090					ARG90	0.036(#3)	CL	TS-D	N,G,S
	U-Factor 0.28			SHGC (N / <1) 0.39 / 0.35				VT (N / <1) 0.55 / 0.49			CR 58	
955	142.094 SH / Opt 11 (INN Refo LR/KR/BR, Foam): 70/36 / air / clr (DS/DS) 3/4" IG											
	0.117	0.500	0.117					AIR	0.036(#2)	CL	TS-D	N,G,S
	U-Factor 0.32			SHGC (N / <1) 0.31 / 0.28				VT (N / <1) 0.55 / 0.49			CR 54	
	142.094 SH / Opt 11 (INN Refo LR/KR/BR, Foam): clr / air / 70/36 (DS/DS) 3/4" IG											
	0.117	0.500	0.117					AIR	0.036(#3)	CL	TS-D	N,G,S
	U-Factor 0.32			SHGC (N / <1) 0.38 / 0.34				VT (N / <1) 0.55 / 0.49			CR 54	

**NFRC 100/200/500 Summary Sheet
Windgate/Belmont/Stormgate Single Hung**

ID	Pane Thickness 1	Gap Width 1	Pane Thickness 2	Gap Width 2	Pane Thickness 3	Gap Width 3	Pane Thickness 4	Gap Width 4	Gap Fill	Low-e (Surface#)	Tint	Spacer	Grid Type
	U-Factor			Solar Heat Gain Coefficient (SHGC) Grids (None / <1 / >=1)					Visible Transmittance (VT) Grids (None / <1 / >=1)			Condensation Resistance	
956	142.094 SH / Opt 11 (INN Refo LR/KR/BR, Foam): 70/36 / arg / clr (DS/DS) 3/4" IG												
	0.117	0.500	0.117						ARG90	0.036(#2)	CL	TS-D	N,G,S
	U-Factor 0.28			SHGC (N / <1) 0.30 / 0.27					VT (N / <1) 0.55 / 0.49			CR 57	
	142.094 SH / Opt 11 (INN Refo LR/KR/BR, Foam): clr / arg / 70/36 (DS/DS) 3/4" IG												
	0.117	0.500	0.117						ARG90	0.036(#3)	CL	TS-D	N,G,S
	U-Factor 0.28			SHGC (N / <1) 0.38 / 0.35					VT (N / <1) 0.55 / 0.49			CR 57	
957	142.094 SH / Opt 11 (INN Refo LR/KR/BR, Foam): lami / arg / 70/36 (DS 090 DS/DS) 3/4" IG												
	0.264	0.345	0.117						ARG90	0.036(#3)	CL	TS-D	N,S
	U-Factor 0.30			SHGC (N / <1) 0.36 / 0.33					VT (N / <1) 0.54 / 0.48			CR 55	
	142.094 SH / Opt 11 (INN Refo LR/KR/BR, Foam): 70/36 / arg / lami (DS/DS 090 DS) 3/4" IG												
	0.117	0.345	0.264						ARG90	0.036(#2)	CL	TS-D	N,S
	U-Factor 0.30			SHGC (N / <1) 0.30 / 0.27					VT (N / <1) 0.54 / 0.48			CR 55	
958	142.094 SH / Opt 11 (INN Refo LR/KR/BR, Foam): lami / arg / 70/36 (DS 090 DS/DS) 3/4" IG												
	0.264	0.345	0.117						ARG90	0.036(#3)	CL	TS-D	G,S
	U-Factor 0.31			SHGC (<1) 0.33					VT (<1) 0.48			CR 55	
	142.094 SH / Opt 11 (INN Refo LR/KR/BR, Foam): 70/36 / arg / lami (DS/DS 090 DS) 3/4" IG												
	0.117	0.345	0.264						ARG90	0.036(#2)	CL	TS-D	G,S
	U-Factor 0.31			SHGC (<1) 0.27					VT (<1) 0.48			CR 55	
959	142.094 SH / Opt 11 (INN Refo LR/KR/BR, Foam): 70/36 / arg / clr / arg / 70/36 (SS/SS/SS) 3/4" IG												
	0.090	0.250	0.090	0.250	0.090				ARG90	0.036(#2) / 0.036(#5)	CL	TS-D	N,S
	U-Factor 0.24			SHGC (N / <1) 0.26 / 0.24					VT (N / <1) 0.43 / 0.39			CR 64	
960	142.094 SH / Opt 11 (INN Refo LR/KR/BR, Foam): 70/36 / arg / clr / arg / 70/36 (SS/SS/SS) 3/4" IG												
	0.090	0.250	0.090	0.250	0.090				ARG90	0.036(#2) / 0.036(#5)	CL	TS-D	G,S
	U-Factor 0.25			SHGC (<1) 0.24					VT (<1) 0.39			CR 64	
961	142.094 SH / Opt 11 (INN Refo LR/KR/BR, Foam): 80/70 / air / clr (SS/SS) 3/4" IG												
	0.090	0.563	0.090						AIR	0.095(#2)	CL	TS-D	N,G,S
	U-Factor 0.33			SHGC (N / <1) 0.53 / 0.48					VT (N / <1) 0.64 / 0.57			CR 54	
	142.094 SH / Opt 11 (INN Refo LR/KR/BR, Foam): clr / air / 80/70 (SS/SS) 3/4" IG												
	0.090	0.563	0.090						AIR	0.095(#3)	CL	TS-D	N,G,S
	U-Factor 0.33			SHGC (N / <1) 0.56 / 0.50					VT (N / <1) 0.64 / 0.57			CR 54	

**NFRC 100/200/500 Summary Sheet
 Windgate/Belmont/Stormgate Single Hung**

ID	Pane Thickness 1	Gap Width 1	Pane Thickness 2	Gap Width 2	Pane Thickness 3	Gap Width 3	Pane Thickness 4	Gap Fill	Low-e (Surface#)	Tint	Spacer	Grid Type
	U-Factor			Solar Heat Gain Coefficient (SHGC) Grids (None / <1 / >=1)				Visible Transmittance (VT) Grids (None / <1 / >=1)			Condensation Resistance	
962	142.094 SH / Opt 11 (INN Refo LR/KR/BR, Foam): 80/70 / arg / clr (SS/SS) 3/4" IG											
	0.090	0.563	0.090					ARG90	0.095(#2)	CL	TS-D	N,G,S
	U-Factor 0.30			SHGC (N / <1) 0.53 / 0.48				VT (N / <1) 0.64 / 0.57			CR 57	
	142.094 SH / Opt 11 (INN Refo LR/KR/BR, Foam): clr / arg / 80/70 (SS/SS) 3/4" IG											
	0.090	0.563	0.090					ARG90	0.095(#3)	CL	TS-D	N,G,S
	U-Factor 0.30			SHGC (N / <1) 0.56 / 0.50				VT (N / <1) 0.64 / 0.57			CR 57	
963	142.094 SH / Opt 11 (INN Refo LR/KR/BR, Foam): 80/70 / air / clr (DS/DS) 3/4" IG											
	0.117	0.500	0.117					AIR	0.095(#2)	CL	TS-D	N,G,S
	U-Factor 0.33			SHGC (N / <1) 0.52 / 0.47				VT (N / <1) 0.63 / 0.57			CR 52	
	142.094 SH / Opt 11 (INN Refo LR/KR/BR, Foam): clr / air / 80/70 (DS/DS) 3/4" IG											
	0.117	0.500	0.117					AIR	0.095(#3)	CL	TS-D	N,G,S
	U-Factor 0.33			SHGC (N / <1) 0.55 / 0.50				VT (N / <1) 0.63 / 0.57			CR 52	
964	142.094 SH / Opt 11 (INN Refo LR/KR/BR, Foam): 80/70 / arg / clr (DS/DS) 3/4" IG											
	0.117	0.500	0.117					ARG90	0.095(#2)	CL	TS-D	N,G,S
	U-Factor 0.30			SHGC (N / <1) 0.52 / 0.47				VT (N / <1) 0.63 / 0.57			CR 56	
	142.094 SH / Opt 11 (INN Refo LR/KR/BR, Foam): clr / arg / 80/70 (DS/DS) 3/4" IG											
	0.117	0.500	0.117					ARG90	0.095(#3)	CL	TS-D	N,G,S
	U-Factor 0.30			SHGC (N / <1) 0.55 / 0.50				VT (N / <1) 0.63 / 0.57			CR 56	
965	142.094 SH / Opt 11 (INN Refo LR/KR/BR, Foam): lami / arg / 80/70 (DS 090 DS/DS) 3/4" IG											
	0.264	0.345	0.117					ARG90	0.095(#3)	CL	TS-D	N,S
	U-Factor 0.32			SHGC (N / <1) 0.51 / 0.46				VT (N / <1) 0.62 / 0.56			CR 54	
	142.094 SH / Opt 11 (INN Refo LR/KR/BR, Foam): 80/70 / arg / lami (DS/DS 090 DS) 3/4" IG											
	0.117	0.345	0.264					ARG90	0.095(#2)	CL	TS-D	N,S
	U-Factor 0.32			SHGC (N / <1) 0.51 / 0.46				VT (N / <1) 0.62 / 0.56			CR 54	
966	142.094 SH / Opt 11 (INN Refo LR/KR/BR, Foam): lami / arg / 80/70 (DS 090 DS/DS) 3/4" IG											
	0.264	0.345	0.117					ARG90	0.095(#3)	CL	TS-D	G,S
	U-Factor 0.33			SHGC (<1) 0.46				VT (<1) 0.56			CR 54	
	142.094 SH / Opt 11 (INN Refo LR/KR/BR, Foam): 80/70 / arg / lami (DS/DS 090 DS) 3/4" IG											
	0.117	0.345	0.264					ARG90	0.095(#2)	CL	TS-D	G,S
	U-Factor 0.33			SHGC (<1) 0.46				VT (<1) 0.56			CR 54	

NFRC 100/200/500 Summary Sheet Windgate/Belmont/Stormgate Single Hung

ID	Pane Thickness 1	Gap Width 1	Pane Thickness 2	Gap Width 2	Pane Thickness 3	Gap Width 3	Pane Thickness 4	Gap Fill	Low-e (Surface#)	Tint	Spacer	Grid Type
	U-Factor			Solar Heat Gain Coefficient (SHGC) Grids (None / <1 / >=1)				Visible Transmittance (VT) Grids (None / <1 / >=1)			Condensation Resistance	
967	142.094 SH / Opt 11 (INN Refo LR/KR/BR, Foam): 80/70 / arg / clr / arg / 80/70 (SS/SS/SS) 3/4" IG											
	0.090	0.250	0.090	0.250	0.090			ARG90	0.095(#2) / 0.095(#5)	CL	TS-D	N,S
	U-Factor 0.25			SHGC (N / <1) 0.47 / 0.42				VT (N / <1) 0.58 / 0.51			CR 63	
968	142.094 SH / Opt 11 (INN Refo LR/KR/BR, Foam): 80/70 / arg / clr / arg / 80/70 (SS/SS/SS) 3/4" IG											
	0.090	0.250	0.090	0.250	0.090			ARG90	0.095(#2) / 0.095(#5)	CL	TS-D	G,S
	U-Factor 0.26			SHGC (<1) 0.42				VT (<1) 0.51			CR 63	
969	142.094 SH / Opt 12 (INN Refo LR/KR/BR/S, Foam): clr / air / clr (SS/SS) 3/4" IG											
	0.087	0.563	0.087					AIR		CL	P1-S	N,G,S
	U-Factor 0.45			SHGC (N / <1) 0.63 / 0.56				VT (N / <1) 0.65 / 0.58			CR 46	
970	142.094 SH / Opt 12 (INN Refo LR/KR/BR/S, Foam): clr / air / clr (DS/DS) 3/4" IG											
	0.118	0.500	0.118					AIR		CL	P1-S	N,G,S
	U-Factor 0.45			SHGC (N / <1) 0.61 / 0.55				VT (N / <1) 0.65 / 0.58			CR 45	
971	142.094 SH / Opt 12 (INN Refo LR/KR/BR/S, Foam): clr / air / clr (5mm/DS) 3/4" IG											
	0.185	0.438	0.118					AIR		CL	P1-S	N,G,S
	U-Factor 0.45			SHGC (N / <1) 0.59 / 0.53				VT (N / <1) 0.64 / 0.57			CR 45	
972	142.094 SH / Opt 12 (INN Refo LR/KR/BR/S, Foam): clr / air / clr (5mm/DS) 3/4" IG											
	0.185	0.438	0.118					AIR		CL	P1-S	G
	U-Factor 0.45			SHGC (<1) 0.53				VT (<1) 0.57			CR 45	
973	142.094 SH / Opt 12 (INN Refo LR/KR/BR/S, Foam): lami / air / clr (DS 090 DS/DS) 3/4" IG											
	0.264	0.345	0.118					AIR		CL	P1-S	N,S
	U-Factor 0.46			SHGC (N / <1) 0.56 / 0.51				VT (N / <1) 0.63 / 0.57			CR 44	
	142.094 SH / Opt 12 (INN Refo LR/KR/BR/S, Foam): clr / air / lami (DS/DS 090 DS) 3/4" IG											
	0.118	0.345	0.264					AIR		CL	P1-S	N,S
	U-Factor 0.46			SHGC (N / <1) 0.59 / 0.53				VT (N / <1) 0.63 / 0.57			CR 44	
974	142.094 SH / Opt 12 (INN Refo LR/KR/BR/S, Foam): lami / air / clr (DS 090 DS/DS) 3/4" IG											
	0.264	0.345	0.118					AIR		CL	P1-S	G,S
	U-Factor 0.47			SHGC (<1) 0.51				VT (<1) 0.57			CR 44	
	142.094 SH / Opt 12 (INN Refo LR/KR/BR/S, Foam): clr / air / lami (DS/DS 090 DS) 3/4" IG											
	0.118	0.345	0.264					AIR		CL	P1-S	G,S
	U-Factor 0.47			SHGC (<1) 0.53				VT (<1) 0.57			CR 44	

**NFRC 100/200/500 Summary Sheet
Windgate/Belmont/Stormgate Single Hung**

ID	Pane Thickness 1	Gap Width 1	Pane Thickness 2	Gap Width 2	Pane Thickness 3	Gap Width 3	Pane Thickness 4	Gap Width 4	Gap Fill	Low-e (Surface#)	Tint	Spacer	Grid Type
	U-Factor			Solar Heat Gain Coefficient (SHGC) Grids (None / <1 / >=1)				Visible Transmittance (VT) Grids (None / <1 / >=1)			Condensation Resistance		
975	142.094 SH / Opt 12 (INN Refo LR/KR/BR/S, Foam): clr / air / clr / air / clr (SS/SS/SS) 3/4" IG (P1-S)												
	0.087	0.250	0.087	0.250	0.087				AIR		CL	P1-S	N,S
	U-Factor 0.37			SHGC (N / <1) 0.57 / 0.51				VT (N / <1) 0.60 / 0.54			CR 54		
976	142.094 SH / Opt 12 (INN Refo LR/KR/BR/S, Foam): clr / air / clr / air / clr (SS/SS/SS) 3/4" IG (P1-S)												
	0.087	0.250	0.087	0.250	0.087				AIR		CL	P1-S	G,S
	U-Factor 0.38			SHGC (<1) 0.51				VT (<1) 0.54			CR 54		
977	142.094 SH / Opt 12 (INN Refo LR/KR/BR/S, Foam): E270 / air / clr (SS/SS) 3/4" IG												
	0.087	0.563	0.087						AIR	0.037(#2)	CL	P1-S	N,G,S
	U-Factor 0.31			SHGC (N / <1) 0.30 / 0.27				VT (N / <1) 0.55 / 0.49			CR 58		
	142.094 SH / Opt 12 (INN Refo LR/KR/BR/S, Foam): clr / air / E270 (SS/SS) 3/4" IG												
	0.087	0.563	0.087						AIR	0.037(#3)	CL	P1-S	N,G,S
	U-Factor 0.31			SHGC (N / <1) 0.37 / 0.33				VT (N / <1) 0.55 / 0.49			CR 58		
978	142.094 SH / Opt 12 (INN Refo LR/KR/BR/S, Foam): E270 / arg / clr (SS/SS) 3/4" IG												
	0.087	0.563	0.087						ARG90	0.037(#2)	CL	P1-S	N,G,S
	U-Factor 0.27			SHGC (N / <1) 0.29 / 0.26				VT (N / <1) 0.55 / 0.49			CR 62		
	142.094 SH / Opt 12 (INN Refo LR/KR/BR/S, Foam): clr / arg / E270 (SS/SS) 3/4" IG												
	0.087	0.563	0.087						ARG90	0.037(#3)	CL	P1-S	N,G,S
	U-Factor 0.27			SHGC (N / <1) 0.37 / 0.33				VT (N / <1) 0.55 / 0.49			CR 62		
979	142.094 SH / Opt 12 (INN Refo LR/KR/BR/S, Foam): E270 / air / clr (DS/DS) 3/4" IG												
	0.118	0.500	0.118						AIR	0.037(#2)	CL	P1-S	N,G,S
	U-Factor 0.30			SHGC (N / <1) 0.30 / 0.27				VT (N / <1) 0.55 / 0.49			CR 57		
	142.094 SH / Opt 12 (INN Refo LR/KR/BR/S, Foam): clr / air / E270 (DS/DS) 3/4" IG												
	0.118	0.500	0.118						AIR	0.037(#3)	CL	P1-S	N,G,S
	U-Factor 0.30			SHGC (N / <1) 0.36 / 0.33				VT (N / <1) 0.55 / 0.49			CR 57		
980	142.094 SH / Opt 12 (INN Refo LR/KR/BR/S, Foam): E270 / arg / clr (DS/DS) 3/4" IG												
	0.118	0.500	0.118						ARG90	0.037(#2)	CL	P1-S	N,G,S
	U-Factor 0.27			SHGC (N / <1) 0.29 / 0.26				VT (N / <1) 0.55 / 0.49			CR 61		
	142.094 SH / Opt 12 (INN Refo LR/KR/BR/S, Foam): clr / arg / E270 (DS/DS) 3/4" IG												
	0.118	0.500	0.118						ARG90	0.037(#3)	CL	P1-S	N,G,S
	U-Factor 0.27			SHGC (N / <1) 0.36 / 0.33				VT (N / <1) 0.55 / 0.49			CR 61		

NFRC 100/200/500 Summary Sheet Windgate/Belmont/Stormgate Single Hung

ID	Pane Thickness 1	Gap Width 1	Pane Thickness 2	Gap Width 2	Pane Thickness 3	Gap Width 3	Pane Thickness 4	Gap Fill	Low-e (Surface#)	Tint	Spacer	Grid Type
	U-Factor			Solar Heat Gain Coefficient (SHGC) Grids (None / <1 / >=1)				Visible Transmittance (VT) Grids (None / <1 / >=1)			Condensation Resistance	
981	142.094 SH / Opt 12 (INN Refo LR/KR/BR/S, Foam): lami / arg / E270 (DS 090 DS/DS) 3/4" IG											
	0.264	0.345	0.118					ARG90	0.037(#3)	CL	P1-S	N,S
	U-Factor 0.29			SHGC (N / <1) 0.35 / 0.31				VT (N / <1) 0.54 / 0.48			CR 59	
	142.094 SH / Opt 12 (INN Refo LR/KR/BR/S, Foam): E270 / arg / lami (DS/DS 090 DS) 3/4" IG											
	0.118	0.345	0.264					ARG90	0.037(#2)	CL	P1-S	N,S
	U-Factor 0.29			SHGC (N / <1) 0.29 / 0.26				VT (N / <1) 0.54 / 0.48			CR 59	
982	142.094 SH / Opt 12 (INN Refo LR/KR/BR/S, Foam): lami / arg / E270 (DS 090 DS/DS) 3/4" IG											
	0.264	0.345	0.118					ARG90	0.037(#3)	CL	P1-S	G,S
	U-Factor 0.30			SHGC (<1) 0.31				VT (<1) 0.48			CR 59	
	142.094 SH / Opt 12 (INN Refo LR/KR/BR/S, Foam): E270 / arg / lami (DS/DS 090 DS) 3/4" IG											
	0.118	0.345	0.264					ARG90	0.037(#2)	CL	P1-S	G,S
	U-Factor 0.30			SHGC (<1) 0.26				VT (<1) 0.48			CR 59	
983	142.094 SH / Opt 12 (INN Refo LR/KR/BR/S, Foam): E270 / arg / clr / arg / E270 (SS/SS/SS) 3/4" IG (P1-S)											
	0.087	0.250	0.087	0.250	0.087			ARG90	0.037(#2) / 0.037(#5)	CL	P1-S	N,S
	U-Factor 0.23			SHGC (N / <1) 0.25 / 0.23				VT (N / <1) 0.43 / 0.39			CR 69	
984	142.094 SH / Opt 12 (INN Refo LR/KR/BR/S, Foam): E270 / arg / clr / arg / E270 (SS/SS/SS) 3/4" IG (P1-S)											
	0.087	0.250	0.087	0.250	0.087			ARG90	0.037(#2) / 0.037(#5)	CL	P1-S	G,S
	U-Factor 0.24			SHGC (<1) 0.23				VT (<1) 0.39			CR 69	
985	142.094 SH / Opt 12 (INN Refo LR/KR/BR/S, Foam): E366 / air / clr (SS/SS) 3/4" IG											
	0.087	0.563	0.087					AIR	0.022(#2)	CL	P1-S	N,G,S
	U-Factor 0.30			SHGC (N / <1) 0.22 / 0.20				VT (N / <1) 0.51 / 0.46			CR 59	
	142.094 SH / Opt 12 (INN Refo LR/KR/BR/S, Foam): clr / air / E366 (SS/SS) 3/4" IG											
	0.087	0.563	0.087					AIR	0.022(#3)	CL	P1-S	N,G,S
	U-Factor 0.30			SHGC (N / <1) 0.31 / 0.28				VT (N / <1) 0.51 / 0.46			CR 59	
986	142.094 SH / Opt 12 (INN Refo LR/KR/BR/S, Foam): E366 / arg / clr (SS/SS) 3/4" IG											
	0.087	0.563	0.087					ARG90	0.022(#2)	CL	P1-S	N,G,S
	U-Factor 0.27			SHGC (N / <1) 0.22 / 0.20				VT (N / <1) 0.51 / 0.46			CR 63	
	142.094 SH / Opt 12 (INN Refo LR/KR/BR/S, Foam): clr / arg / E366 (SS/SS) 3/4" IG											
	0.087	0.563	0.087					ARG90	0.022(#3)	CL	P1-S	N,G,S
	U-Factor 0.27			SHGC (N / <1) 0.31 / 0.28				VT (N / <1) 0.51 / 0.46			CR 63	

**NFRC 100/200/500 Summary Sheet
Windgate/Belmont/Stormgate Single Hung**

ID	Pane Thickness 1	Gap Width 1	Pane Thickness 2	Gap Width 2	Pane Thickness 3	Gap Width 3	Pane Thickness 4	Gap Width 4	Gap Fill	Low-e (Surface#)	Tint	Spacer	Grid Type
	U-Factor			Solar Heat Gain Coefficient (SHGC) Grids (None / <1 / >=1)				Visible Transmittance (VT) Grids (None / <1 / >=1)			Condensation Resistance		
987	142.094 SH / Opt 12 (INN Refo LR/KR/BR/S, Foam): E366 / air / clr (DS/DS) 3/4" IG												
	0.117	0.500	0.118						AIR	0.022(#2)	CL	P1-S	N,G,S
	U-Factor 0.30			SHGC (N / <1) 0.22 / 0.20				VT (N / <1) 0.51 / 0.45			CR 58		
	142.094 SH / Opt 12 (INN Refo LR/KR/BR/S, Foam): clr / air / E366 (DS/DS) 3/4" IG												
	0.118	0.500	0.117						AIR	0.022(#3)	CL	P1-S	N,G,S
	U-Factor 0.30			SHGC (N / <1) 0.30 / 0.28				VT (N / <1) 0.51 / 0.45			CR 58		
988	142.094 SH / Opt 12 (INN Refo LR/KR/BR/S, Foam): E366 / arg / clr (DS/DS) 3/4" IG												
	0.117	0.500	0.118						ARG90	0.022(#2)	CL	P1-S	N,G,S
	U-Factor 0.26			SHGC (N / <1) 0.22 / 0.20				VT (N / <1) 0.51 / 0.45			CR 62		
	142.094 SH / Opt 12 (INN Refo LR/KR/BR/S, Foam): clr / arg / E366 (DS/DS) 3/4" IG												
	0.118	0.500	0.117						ARG90	0.022(#3)	CL	P1-S	N,G,S
	U-Factor 0.26			SHGC (N / <1) 0.31 / 0.28				VT (N / <1) 0.51 / 0.45			CR 62		
989	142.094 SH / Opt 12 (INN Refo LR/KR/BR/S, Foam): lami / arg / E366 (DS 090 DS/DS) 3/4" IG												
	0.264	0.345	0.117						ARG90	0.022(#3)	CL	P1-S	N,S
	U-Factor 0.28			SHGC (N / <1) 0.29 / 0.27				VT (N / <1) 0.50 / 0.44			CR 60		
	142.094 SH / Opt 12 (INN Refo LR/KR/BR/S, Foam): E366 / arg / lami (DS/DS 090 DS) 3/4" IG												
	0.117	0.345	0.264						ARG90	0.022(#2)	CL	P1-S	N,S
	U-Factor 0.28			SHGC (N / <1) 0.22 / 0.20				VT (N / <1) 0.50 / 0.44			CR 60		
990	142.094 SH / Opt 12 (INN Refo LR/KR/BR/S, Foam): lami / arg / E366 (DS 090 DS/DS) 3/4" IG												
	0.264	0.345	0.117						ARG90	0.022(#3)	CL	P1-S	G,S
	U-Factor 0.30			SHGC (<1) 0.27				VT (<1) 0.44			CR 60		
	142.094 SH / Opt 12 (INN Refo LR/KR/BR/S, Foam): E366 / arg / lami (DS/DS 090 DS) 3/4" IG												
	0.117	0.345	0.264						ARG90	0.022(#2)	CL	P1-S	G,S
	U-Factor 0.30			SHGC (<1) 0.20				VT (<1) 0.44			CR 60		
991	142.094 SH / Opt 12 (INN Refo LR/KR/BR/S, Foam): E366 / arg / clr / arg / E366 (SS/SS/SS) 3/4" IG (P1-S)												
	0.087	0.250	0.087	0.250	0.087				ARG90	0.022(#2) / 0.022(#5)	CL	P1-S	N,S
	U-Factor 0.23			SHGC (N / <1) 0.19 / 0.17				VT (N / <1) 0.37 / 0.33			CR 70		
992	142.094 SH / Opt 12 (INN Refo LR/KR/BR/S, Foam): E366 / arg / clr / arg / E366 (SS/SS/SS) 3/4" IG (P1-S)												
	0.087	0.250	0.087	0.250	0.087				ARG90	0.022(#2) / 0.022(#5)	CL	P1-S	G,S
	U-Factor 0.24			SHGC (<1) 0.17				VT (<1) 0.33			CR 70		

**NFRC 100/200/500 Summary Sheet
 Windgate/Belmont/Stormgate Single Hung**

ID	Pane Thickness 1	Gap Width 1	Pane Thickness 2	Gap Width 2	Pane Thickness 3	Gap Width 3	Pane Thickness 4	Gap Fill	Low-e (Surface#)	Tint	Spacer	Grid Type
	U-Factor			Solar Heat Gain Coefficient (SHGC) Grids (None / <1 / >=1)				Visible Transmittance (VT) Grids (None / <1 / >=1)			Condensation Resistance	
993	142.094 SH / Opt 12 (INN Refo LR/KR/BR/S, Foam): 70/36 / air / clr (SS/SS) 3/4" IG											
	0.090	0.563	0.090					AIR	0.036(#2)	CL	P1-S	N,G,S
	U-Factor 0.31			SHGC (N / <1) 0.31 / 0.28				VT (N / <1) 0.55 / 0.49			CR 58	
994	142.094 SH / Opt 12 (INN Refo LR/KR/BR/S, Foam): clr / air / 70/36 (SS/SS) 3/4" IG											
	0.090	0.563	0.090					AIR	0.036(#3)	CL	P1-S	N,G,S
	U-Factor 0.31			SHGC (N / <1) 0.39 / 0.35				VT (N / <1) 0.55 / 0.49			CR 58	
995	142.094 SH / Opt 12 (INN Refo LR/KR/BR/S, Foam): 70/36 / arg / clr (SS/SS) 3/4" IG											
	0.090	0.563	0.090					ARG90	0.036(#2)	CL	P1-S	N,G,S
	U-Factor 0.27			SHGC (N / <1) 0.31 / 0.28				VT (N / <1) 0.55 / 0.49			CR 62	
996	142.094 SH / Opt 12 (INN Refo LR/KR/BR/S, Foam): clr / arg / 70/36 (SS/SS) 3/4" IG											
	0.090	0.563	0.090					ARG90	0.036(#3)	CL	P1-S	N,G,S
	U-Factor 0.27			SHGC (N / <1) 0.39 / 0.35				VT (N / <1) 0.55 / 0.49			CR 62	
997	142.094 SH / Opt 12 (INN Refo LR/KR/BR/S, Foam): 70/36 / air / clr (DS/DS) 3/4" IG											
	0.117	0.500	0.117					AIR	0.036(#2)	CL	P1-S	N,G,S
	U-Factor 0.30			SHGC (N / <1) 0.31 / 0.28				VT (N / <1) 0.55 / 0.49			CR 57	
998	142.094 SH / Opt 12 (INN Refo LR/KR/BR/S, Foam): clr / air / 70/36 (DS/DS) 3/4" IG											
	0.117	0.500	0.117					AIR	0.036(#3)	CL	P1-S	N,G,S
	U-Factor 0.30			SHGC (N / <1) 0.38 / 0.34				VT (N / <1) 0.55 / 0.49			CR 57	
999	142.094 SH / Opt 12 (INN Refo LR/KR/BR/S, Foam): 70/36 / arg / clr (DS/DS) 3/4" IG											
	0.117	0.500	0.117					ARG90	0.036(#2)	CL	P1-S	N,G,S
	U-Factor 0.27			SHGC (N / <1) 0.30 / 0.27				VT (N / <1) 0.55 / 0.49			CR 61	
1000	142.094 SH / Opt 12 (INN Refo LR/KR/BR/S, Foam): clr / arg / 70/36 (DS/DS) 3/4" IG											
	0.117	0.500	0.117					ARG90	0.036(#3)	CL	P1-S	N,G,S
	U-Factor 0.27			SHGC (N / <1) 0.38 / 0.35				VT (N / <1) 0.55 / 0.49			CR 61	
1001	142.094 SH / Opt 12 (INN Refo LR/KR/BR/S, Foam): lami / arg / 70/36 (DS 090 DS/DS) 3/4" IG											
	0.264	0.345	0.117					ARG90	0.036(#3)	CL	P1-S	N,S
	U-Factor 0.29			SHGC (N / <1) 0.36 / 0.33				VT (N / <1) 0.54 / 0.48			CR 59	
1002	142.094 SH / Opt 12 (INN Refo LR/KR/BR/S, Foam): 70/36 / arg / lami (DS/DS 090 DS) 3/4" IG											
	0.117	0.345	0.264					ARG90	0.036(#2)	CL	P1-S	N,S
	U-Factor 0.29			SHGC (N / <1) 0.30 / 0.27				VT (N / <1) 0.54 / 0.48			CR 59	

NFRC 100/200/500 Summary Sheet Windgate/Belmont/Stormgate Single Hung

ID	Pane Thickness 1	Gap Width 1	Pane Thickness 2	Gap Width 2	Pane Thickness 3	Gap Width 3	Pane Thickness 4	Gap Fill	Low-e (Surface#)	Tint	Spacer	Grid Type
	U-Factor			Solar Heat Gain Coefficient (SHGC) Grids (None / <1 / >=1)				Visible Transmittance (VT) Grids (None / <1 / >=1)			Condensation Resistance	
998	142.094 SH / Opt 12 (INN Refo LR/KR/BR/S, Foam): lami / arg / 70/36 (DS 090 DS/DS) 3/4" IG											
	0.264	0.345	0.117					ARG90	0.036(#3)	CL	P1-S	G,S
	U-Factor 0.30			SHGC (<1) 0.33				VT (<1) 0.48			CR 59	
999	142.094 SH / Opt 12 (INN Refo LR/KR/BR/S, Foam): 70/36 / arg / lami (DS/DS 090 DS) 3/4" IG											
	0.117	0.345	0.264					ARG90	0.036(#2)	CL	P1-S	G,S
	U-Factor 0.30			SHGC (<1) 0.27				VT (<1) 0.48			CR 59	
1000	142.094 SH / Opt 12 (INN Refo LR/KR/BR/S, Foam): 70/36 / arg / clr / arg / 70/36 (SS/SS/SS) 3/4" IG											
	0.090	0.250	0.090	0.250	0.090			ARG90	0.036(#2) / 0.036(#5)	CL	P1-S	N,S
	U-Factor 0.23			SHGC (N / <1) 0.26 / 0.24				VT (N / <1) 0.43 / 0.39			CR 69	
1001	142.094 SH / Opt 12 (INN Refo LR/KR/BR/S, Foam): 80/70 / air / clr (SS/SS) 3/4" IG											
	0.090	0.563	0.090					AIR	0.095(#2)	CL	P1-S	N,G,S
	U-Factor 0.32			SHGC (N / <1) 0.53 / 0.48				VT (N / <1) 0.64 / 0.57			CR 57	
1002	142.094 SH / Opt 12 (INN Refo LR/KR/BR/S, Foam): clr / air / 80/70 (SS/SS) 3/4" IG											
	0.090	0.563	0.090					AIR	0.095(#3)	CL	P1-S	N,G,S
	U-Factor 0.32			SHGC (N / <1) 0.56 / 0.50				VT (N / <1) 0.64 / 0.57			CR 57	
1003	142.094 SH / Opt 12 (INN Refo LR/KR/BR/S, Foam): 80/70 / air / clr (DS/DS) 3/4" IG											
	0.117	0.500	0.117					AIR	0.095(#2)	CL	P1-S	N,G,S
	U-Factor 0.32			SHGC (N / <1) 0.52 / 0.47				VT (N / <1) 0.63 / 0.57			CR 56	
1004	142.094 SH / Opt 12 (INN Refo LR/KR/BR/S, Foam): clr / air / 80/70 (DS/DS) 3/4" IG											
	0.117	0.500	0.117					AIR	0.095(#3)	CL	P1-S	N,G,S
	U-Factor 0.32			SHGC (N / <1) 0.55 / 0.50				VT (N / <1) 0.63 / 0.57			CR 56	

**NFRC 100/200/500 Summary Sheet
Windgate/Belmont/Stormgate Single Hung**

ID	Pane Thickness 1	Gap Width 1	Pane Thickness 2	Gap Width 2	Pane Thickness 3	Gap Width 3	Pane Thickness 4	Gap Width 4	Gap Fill	Low-e (Surface#)	Tint	Spacer	Grid Type
	U-Factor			Solar Heat Gain Coefficient (SHGC) Grids (None / <1 / >=1)					Visible Transmittance (VT) Grids (None / <1 / >=1)			Condensation Resistance	
1004	142.094 SH / Opt 12 (INN Refo LR/KR/BR/S, Foam): 80/70 / arg / clr (DS/DS) 3/4" IG												
	0.117	0.500	0.117						ARG90	0.095(#2)	CL	P1-S	N,G,S
	U-Factor 0.28			SHGC (N / <1) 0.52 / 0.47					VT (N / <1) 0.63 / 0.57			CR	60
	142.094 SH / Opt 12 (INN Refo LR/KR/BR/S, Foam): clr / arg / 80/70 (DS/DS) 3/4" IG												
	0.117	0.500	0.117						ARG90	0.095(#3)	CL	P1-S	N,G,S
	U-Factor 0.28			SHGC (N / <1) 0.55 / 0.50					VT (N / <1) 0.63 / 0.57			CR	60
1005	142.094 SH / Opt 12 (INN Refo LR/KR/BR/S, Foam): lami / arg / 80/70 (DS 090 DS/DS) 3/4" IG												
	0.264	0.345	0.117						ARG90	0.095(#3)	CL	P1-S	N,S
	U-Factor 0.30			SHGC (N / <1) 0.51 / 0.46					VT (N / <1) 0.62 / 0.56			CR	58
	142.094 SH / Opt 12 (INN Refo LR/KR/BR/S, Foam): 80/70 / arg / lami (DS/DS 090 DS) 3/4" IG												
	0.117	0.345	0.264						ARG90	0.095(#2)	CL	P1-S	N,S
	U-Factor 0.30			SHGC (N / <1) 0.51 / 0.46					VT (N / <1) 0.62 / 0.56			CR	58
1006	142.094 SH / Opt 12 (INN Refo LR/KR/BR/S, Foam): lami / arg / 80/70 (DS 090 DS/DS) 3/4" IG												
	0.264	0.345	0.117						ARG90	0.095(#3)	CL	P1-S	G,S
	U-Factor 0.32			SHGC (<1) 0.46					VT (<1) 0.56			CR	58
	142.094 SH / Opt 12 (INN Refo LR/KR/BR/S, Foam): 80/70 / arg / lami (DS/DS 090 DS) 3/4" IG												
	0.117	0.345	0.264						ARG90	0.095(#2)	CL	P1-S	G,S
	U-Factor 0.32			SHGC (<1) 0.46					VT (<1) 0.56			CR	58
1007	142.094 SH / Opt 12 (INN Refo LR/KR/BR/S, Foam): 80/70 / arg / clr / arg / 80/70 (SS/SS/SS) 3/4" IG												
	0.090	0.250	0.090	0.250	0.090				ARG90	0.095(#2) / 0.095(#5)	CL	P1-S	N,S
	U-Factor 0.24			SHGC (N / <1) 0.47 / 0.42					VT (N / <1) 0.58 / 0.51			CR	68
1008	142.094 SH / Opt 12 (INN Refo LR/KR/BR/S, Foam): 80/70 / arg / clr / arg / 80/70 (SS/SS/SS) 3/4" IG												
	0.090	0.250	0.090	0.250	0.090				ARG90	0.095(#2) / 0.095(#5)	CL	P1-S	G,S
	U-Factor 0.25			SHGC (<1) 0.42					VT (<1) 0.51			CR	68
1009	142.094 SH / Opt 12 (INN Refo LR/KR/BR/S, Foam): clr / air / clr (SS/SS) 3/4" IG												
	0.087	0.563	0.087						AIR		CL	SS-D	N,G,S
	U-Factor 0.45			SHGC (N / <1) 0.63 / 0.56					VT (N / <1) 0.65 / 0.58			CR	44
1010	142.094 SH / Opt 12 (INN Refo LR/KR/BR/S, Foam): clr / air / clr (DS/DS) 3/4" IG												
	0.118	0.500	0.118						AIR		CL	SS-D	N,G,S
	U-Factor 0.45			SHGC (N / <1) 0.61 / 0.55					VT (N / <1) 0.65 / 0.58			CR	44

**NFRC 100/200/500 Summary Sheet
Windgate/Belmont/Stormgate Single Hung**

ID	Pane Thickness 1	Gap Width 1	Pane Thickness 2	Gap Width 2	Pane Thickness 3	Gap Width 3	Pane Thickness 4	Gap Width 4	Gap Fill	Low-e (Surface#)	Tint	Spacer	Grid Type
	U-Factor			Solar Heat Gain Coefficient (SHGC) Grids (None / <1 / >=1)					Visible Transmittance (VT) Grids (None / <1 / >=1)			Condensation Resistance	
1011	142.094 SH / Opt 12 (INN Refo LR/KR/BR/S, Foam): clr / air / clr (5mm/DS) 3/4" IG												
	0.185	0.438	0.118						AIR		CL	SS-D	N,G,S
	U-Factor 0.46			SHGC (N / <1) 0.59 / 0.53					VT (N / <1) 0.64 / 0.57			CR 44	
1012	142.094 SH / Opt 12 (INN Refo LR/KR/BR/S, Foam): clr / air / clr (5mm/DS) 3/4" IG												
	0.185	0.438	0.118						AIR		CL	SS-D	G
	U-Factor 0.46			SHGC (<1) 0.53					VT (<1) 0.57			CR 44	
1013	142.094 SH / Opt 12 (INN Refo LR/KR/BR/S, Foam): lami / air / clr (DS 090 DS/DS) 3/4" IG												
	0.264	0.345	0.118						AIR		CL	SS-D	N,S
	U-Factor 0.47			SHGC (N / <1) 0.56 / 0.51					VT (N / <1) 0.63 / 0.57			CR 43	
	142.094 SH / Opt 12 (INN Refo LR/KR/BR/S, Foam): clr / air / lami (DS/DS 090 DS) 3/4" IG												
	0.118	0.345	0.264						AIR		CL	SS-D	N,S
	U-Factor 0.47			SHGC (N / <1) 0.59 / 0.53					VT (N / <1) 0.63 / 0.57			CR 43	
1014	142.094 SH / Opt 12 (INN Refo LR/KR/BR/S, Foam): lami / air / clr (DS 090 DS/DS) 3/4" IG												
	0.264	0.345	0.118						AIR		CL	SS-D	G,S
	U-Factor 0.48			SHGC (<1) 0.51					VT (<1) 0.57			CR 43	
	142.094 SH / Opt 12 (INN Refo LR/KR/BR/S, Foam): clr / air / lami (DS/DS 090 DS) 3/4" IG												
	0.118	0.345	0.264						AIR		CL	SS-D	G,S
	U-Factor 0.48			SHGC (<1) 0.53					VT (<1) 0.57			CR 43	
1015	142.094 SH / Opt 12 (INN Refo LR/KR/BR/S, Foam): clr / air / clr / air / clr (SS/SS/SS) 3/4" IG (P1-S)												
	0.087	0.250	0.087	0.250	0.087				AIR		CL	SS-D	N,S
	U-Factor 0.37			SHGC (N / <1) 0.57 / 0.51					VT (N / <1) 0.60 / 0.54			CR 54	
1016	142.094 SH / Opt 12 (INN Refo LR/KR/BR/S, Foam): clr / air / clr / air / clr (SS/SS/SS) 3/4" IG (P1-S)												
	0.087	0.250	0.087	0.250	0.087				AIR		CL	SS-D	G,S
	U-Factor 0.38			SHGC (<1) 0.51					VT (<1) 0.54			CR 54	
1017	142.094 SH / Opt 12 (INN Refo LR/KR/BR/S, Foam): E270 / air / clr (SS/SS) 3/4" IG												
	0.087	0.563	0.087						AIR	0.037(#2)	CL	SS-D	N,G,S
	U-Factor 0.32			SHGC (N / <1) 0.30 / 0.27					VT (N / <1) 0.55 / 0.49			CR 56	
	142.094 SH / Opt 12 (INN Refo LR/KR/BR/S, Foam): clr / air / E270 (SS/SS) 3/4" IG												
	0.087	0.563	0.087						AIR	0.037(#3)	CL	SS-D	N,G,S
	U-Factor 0.32			SHGC (N / <1) 0.37 / 0.33					VT (N / <1) 0.55 / 0.49			CR 56	

**NFRC 100/200/500 Summary Sheet
 Windgate/Belmont/Stormgate Single Hung**

ID	Pane Thickness 1	Gap Width 1	Pane Thickness 2	Gap Width 2	Pane Thickness 3	Gap Width 3	Pane Thickness 4	Gap Fill	Low-e (Surface#)	Tint	Spacer	Grid Type
	U-Factor			Solar Heat Gain Coefficient (SHGC) Grids (None / <1 / >=1)				Visible Transmittance (VT) Grids (None / <1 / >=1)			Condensation Resistance	
1018	142.094 SH / Opt 12 (INN Refo LR/KR/BR/S, Foam): E270 / arg / clr (SS/SS) 3/4" IG											
	0.087	0.563	0.087					ARG90	0.037(#2)	CL	SS-D	N,G,S
	U-Factor 0.28			SHGC (N / <1) 0.29 / 0.26				VT (N / <1) 0.55 / 0.49			CR 59	
	142.094 SH / Opt 12 (INN Refo LR/KR/BR/S, Foam): clr / arg / E270 (SS/SS) 3/4" IG											
	0.087	0.563	0.087					ARG90	0.037(#3)	CL	SS-D	N,G,S
	U-Factor 0.28			SHGC (N / <1) 0.37 / 0.33				VT (N / <1) 0.55 / 0.49			CR 59	
1019	142.094 SH / Opt 12 (INN Refo LR/KR/BR/S, Foam): E270 / air / clr (DS/DS) 3/4" IG											
	0.118	0.500	0.118					AIR	0.037(#2)	CL	SS-D	N,G,S
	U-Factor 0.31			SHGC (N / <1) 0.30 / 0.27				VT (N / <1) 0.55 / 0.49			CR 55	
	142.094 SH / Opt 12 (INN Refo LR/KR/BR/S, Foam): clr / air / E270 (DS/DS) 3/4" IG											
	0.118	0.500	0.118					AIR	0.037(#3)	CL	SS-D	N,G,S
	U-Factor 0.31			SHGC (N / <1) 0.36 / 0.33				VT (N / <1) 0.55 / 0.49			CR 55	
1020	142.094 SH / Opt 12 (INN Refo LR/KR/BR/S, Foam): E270 / arg / clr (DS/DS) 3/4" IG											
	0.118	0.500	0.118					ARG90	0.037(#2)	CL	SS-D	N,G,S
	U-Factor 0.28			SHGC (N / <1) 0.29 / 0.26				VT (N / <1) 0.55 / 0.49			CR 59	
	142.094 SH / Opt 12 (INN Refo LR/KR/BR/S, Foam): clr / arg / E270 (DS/DS) 3/4" IG											
	0.118	0.500	0.118					ARG90	0.037(#3)	CL	SS-D	N,G,S
	U-Factor 0.28			SHGC (N / <1) 0.36 / 0.33				VT (N / <1) 0.55 / 0.49			CR 59	
1021	142.094 SH / Opt 12 (INN Refo LR/KR/BR/S, Foam): lami / arg / E270 (DS 090 DS/DS) 3/4" IG											
	0.264	0.345	0.118					ARG90	0.037(#3)	CL	SS-D	N,S
	U-Factor 0.30			SHGC (N / <1) 0.35 / 0.31				VT (N / <1) 0.54 / 0.48			CR 56	
	142.094 SH / Opt 12 (INN Refo LR/KR/BR/S, Foam): E270 / arg / lami (DS/DS 090 DS) 3/4" IG											
	0.118	0.345	0.264					ARG90	0.037(#2)	CL	SS-D	N,S
	U-Factor 0.30			SHGC (N / <1) 0.29 / 0.26				VT (N / <1) 0.54 / 0.48			CR 56	
1022	142.094 SH / Opt 12 (INN Refo LR/KR/BR/S, Foam): lami / arg / E270 (DS 090 DS/DS) 3/4" IG											
	0.264	0.345	0.118					ARG90	0.037(#3)	CL	SS-D	G,S
	U-Factor 0.31			SHGC (<1) 0.31				VT (<1) 0.48			CR 56	
	142.094 SH / Opt 12 (INN Refo LR/KR/BR/S, Foam): E270 / arg / lami (DS/DS 090 DS) 3/4" IG											
	0.118	0.345	0.264					ARG90	0.037(#2)	CL	SS-D	G,S
	U-Factor 0.31			SHGC (<1) 0.26				VT (<1) 0.48			CR 56	

NFRC 100/200/500 Summary Sheet Windgate/Belmont/Stormgate Single Hung

ID	Pane Thickness 1	Gap Width 1	Pane Thickness 2	Gap Width 2	Pane Thickness 3	Gap Width 3	Pane Thickness 4	Gap Fill	Low-e (Surface#)	Tint	Spacer	Grid Type
	U-Factor			Solar Heat Gain Coefficient (SHGC) Grids (None / <1 / >=1)				Visible Transmittance (VT) Grids (None / <1 / >=1)			Condensation Resistance	
1023	142.094 SH / Opt 12 (INN Refo LR/KR/BR/S, Foam): E270 / arg / clr / arg / E270 (SS/SS/SS) 3/4" IG (SS-D)											
	0.087	0.266	0.087	0.266	0.087			ARG90	0.037(#2) / 0.037(#5)	CL	SS-D	N,S
	U-Factor 0.23			SHGC (N / <1) 0.25 / 0.23				VT (N / <1) 0.43 / 0.39			CR 67	
1024	142.094 SH / Opt 12 (INN Refo LR/KR/BR/S, Foam): E270 / arg / clr / arg / E270 (SS/SS/SS) 3/4" IG (SS-D)											
	0.087	0.266	0.087	0.266	0.087			ARG90	0.037(#2) / 0.037(#5)	CL	SS-D	G,S
	U-Factor 0.24			SHGC (<1) 0.23				VT (<1) 0.39			CR 67	
1025	142.094 SH / Opt 12 (INN Refo LR/KR/BR/S, Foam): E366 / air / clr (SS/SS) 3/4" IG											
	0.087	0.563	0.087					AIR	0.022(#2)	CL	SS-D	N,G,S
	U-Factor 0.31			SHGC (N / <1) 0.22 / 0.20				VT (N / <1) 0.51 / 0.46			CR 56	
1026	142.094 SH / Opt 12 (INN Refo LR/KR/BR/S, Foam): E366 / arg / clr (SS/SS) 3/4" IG											
	0.087	0.563	0.087					ARG90	0.022(#2)	CL	SS-D	N,G,S
	U-Factor 0.28			SHGC (N / <1) 0.22 / 0.20				VT (N / <1) 0.51 / 0.46			CR 60	
1027	142.094 SH / Opt 12 (INN Refo LR/KR/BR/S, Foam): E366 / air / clr (DS/DS) 3/4" IG											
	0.117	0.500	0.118					AIR	0.022(#2)	CL	SS-D	N,G,S
	U-Factor 0.31			SHGC (N / <1) 0.22 / 0.20				VT (N / <1) 0.51 / 0.45			CR 55	
1028	142.094 SH / Opt 12 (INN Refo LR/KR/BR/S, Foam): E366 / arg / clr (DS/DS) 3/4" IG											
	0.117	0.500	0.118					ARG90	0.022(#2)	CL	SS-D	N,G,S
	U-Factor 0.27			SHGC (N / <1) 0.22 / 0.20				VT (N / <1) 0.51 / 0.45			CR 59	
1029	142.094 SH / Opt 12 (INN Refo LR/KR/BR/S, Foam): E366 / arg / clr (DS/DS) 3/4" IG											
	0.118	0.500	0.117					ARG90	0.022(#3)	CL	SS-D	N,G,S
	U-Factor 0.27			SHGC (N / <1) 0.31 / 0.28				VT (N / <1) 0.51 / 0.45			CR 59	

NFRC 100/200/500 Summary Sheet Windgate/Belmont/Stormgate Single Hung

ID	Pane Thickness 1	Gap Width 1	Pane Thickness 2	Gap Width 2	Pane Thickness 3	Gap Width 3	Pane Thickness 4	Gap Fill	Low-e (Surface#)	Tint	Spacer	Grid Type
	U-Factor			Solar Heat Gain Coefficient (SHGC) Grids (None / <1 / >=1)				Visible Transmittance (VT) Grids (None / <1 / >=1)			Condensation Resistance	
1029	142.094 SH / Opt 12 (INN Refo LR/KR/BR/S, Foam): lami / arg / E366 (DS 090 DS/DS) 3/4" IG											
	0.264	0.345	0.117					ARG90	0.022(#3)	CL	SS-D	N,S
	U-Factor 0.29			SHGC (N / <1) 0.29 / 0.27				VT (N / <1) 0.50 / 0.44			CR 57	
	142.094 SH / Opt 12 (INN Refo LR/KR/BR/S, Foam): E366 / arg / lami (DS/DS 090 DS) 3/4" IG											
	0.117	0.345	0.264					ARG90	0.022(#2)	CL	SS-D	N,S
	U-Factor 0.29			SHGC (N / <1) 0.22 / 0.20				VT (N / <1) 0.50 / 0.44			CR 57	
1030	142.094 SH / Opt 12 (INN Refo LR/KR/BR/S, Foam): lami / arg / E366 (DS 090 DS/DS) 3/4" IG											
	0.264	0.345	0.117					ARG90	0.022(#3)	CL	SS-D	G,S
	U-Factor 0.31			SHGC (<1) 0.27				VT (<1) 0.44			CR 57	
	142.094 SH / Opt 12 (INN Refo LR/KR/BR/S, Foam): E366 / arg / lami (DS/DS 090 DS) 3/4" IG											
	0.117	0.345	0.264					ARG90	0.022(#2)	CL	SS-D	G,S
	U-Factor 0.31			SHGC (<1) 0.20				VT (<1) 0.44			CR 57	
1031	142.094 SH / Opt 12 (INN Refo LR/KR/BR/S, Foam): E366 / arg / clr / arg / E366 (SS/SS/SS) 3/4" IG (SS-D)											
	0.087	0.266	0.087	0.266	0.087			ARG90	0.022(#2) / 0.022(#5)	CL	SS-D	N,S
	U-Factor 0.23			SHGC (N / <1) 0.19 / 0.17				VT (N / <1) 0.37 / 0.33			CR 67	
1032	142.094 SH / Opt 12 (INN Refo LR/KR/BR/S, Foam): E366 / arg / clr / arg / E366 (SS/SS/SS) 3/4" IG (SS-D)											
	0.087	0.266	0.087	0.266	0.087			ARG90	0.022(#2) / 0.022(#5)	CL	SS-D	G,S
	U-Factor 0.24			SHGC (<1) 0.17				VT (<1) 0.33			CR 67	
1033	142.094 SH / Opt 12 (INN Refo LR/KR/BR/S, Foam): clr / air / clr (SS/SS) 3/4" IG											
	0.087	0.563	0.087					AIR		CL	TS-D	N,G,S
	U-Factor 0.45			SHGC (N / <1) 0.63 / 0.56				VT (N / <1) 0.65 / 0.58			CR 44	
1034	142.094 SH / Opt 12 (INN Refo LR/KR/BR/S, Foam): clr / air / clr (DS/DS) 3/4" IG											
	0.118	0.500	0.118					AIR		CL	TS-D	N,G,S
	U-Factor 0.45			SHGC (N / <1) 0.61 / 0.55				VT (N / <1) 0.65 / 0.58			CR 43	
1035	142.094 SH / Opt 12 (INN Refo LR/KR/BR/S, Foam): clr / air / clr (5mm/DS) 3/4" IG											
	0.185	0.438	0.118					AIR		CL	TS-D	N,G,S
	U-Factor 0.46			SHGC (N / <1) 0.59 / 0.53				VT (N / <1) 0.64 / 0.57			CR 43	
1036	142.094 SH / Opt 12 (INN Refo LR/KR/BR/S, Foam): clr / air / clr (5mm/DS) 3/4" IG											
	0.185	0.438	0.118					AIR		CL	TS-D	G
	U-Factor 0.46			SHGC (<1) 0.53				VT (<1) 0.57			CR 43	

**NFRC 100/200/500 Summary Sheet
 Windgate/Belmont/Stormgate Single Hung**

ID	Pane Thickness 1	Gap Width 1	Pane Thickness 2	Gap Width 2	Pane Thickness 3	Gap Width 3	Pane Thickness 4	Gap Fill	Low-e (Surface#)	Tint	Spacer	Grid Type
	U-Factor			Solar Heat Gain Coefficient (SHGC) Grids (None / <1 / >=1)				Visible Transmittance (VT) Grids (None / <1 / >=1)			Condensation Resistance	
1037	142.094 SH / Opt 12 (INN Refo LR/KR/BR/S, Foam): lami / air / clr (DS 090 DS/DS) 3/4" IG											
	0.264	0.345	0.118					AIR		CL	TS-D	N,S
	U-Factor 0.47			SHGC (N / <1) 0.56 / 0.51				VT (N / <1) 0.63 / 0.57			CR 42	
	142.094 SH / Opt 12 (INN Refo LR/KR/BR/S, Foam): clr / air / lami (DS/DS 090 DS) 3/4" IG											
	0.118	0.345	0.264					AIR		CL	TS-D	N,S
	U-Factor 0.47			SHGC (N / <1) 0.59 / 0.53				VT (N / <1) 0.63 / 0.57			CR 42	
1038	142.094 SH / Opt 12 (INN Refo LR/KR/BR/S, Foam): lami / air / clr (DS 090 DS/DS) 3/4" IG											
	0.264	0.345	0.118					AIR		CL	TS-D	G,S
	U-Factor 0.48			SHGC (<1) 0.51				VT (<1) 0.57			CR 42	
	142.094 SH / Opt 12 (INN Refo LR/KR/BR/S, Foam): clr / air / lami (DS/DS 090 DS) 3/4" IG											
	0.118	0.345	0.264					AIR		CL	TS-D	G,S
	U-Factor 0.48			SHGC (<1) 0.53				VT (<1) 0.57			CR 42	
1039	142.094 SH / Opt 12 (INN Refo LR/KR/BR/S, Foam): clr / air / clr / air / clr (SS/SS/SS) 3/4" IG (P1-S)											
	0.087	0.250	0.087	0.250	0.087			AIR		CL	TS-D	N,S
	U-Factor 0.38			SHGC (N / <1) 0.57 / 0.51				VT (N / <1) 0.60 / 0.54			CR 52	
1040	142.094 SH / Opt 12 (INN Refo LR/KR/BR/S, Foam): clr / air / clr / air / clr (SS/SS/SS) 3/4" IG (P1-S)											
	0.087	0.250	0.087	0.250	0.087			AIR		CL	TS-D	G,S
	U-Factor 0.39			SHGC (<1) 0.51				VT (<1) 0.54			CR 52	
1041	142.094 SH / Opt 12 (INN Refo LR/KR/BR/S, Foam): 70/36 / air / clr (SS/SS) 3/4" IG											
	0.090	0.563	0.090					AIR	0.036(#2)	CL	TS-D	N,G,S
	U-Factor 0.32			SHGC (N / <1) 0.31 / 0.28				VT (N / <1) 0.55 / 0.49			CR 55	
	142.094 SH / Opt 12 (INN Refo LR/KR/BR/S, Foam): clr / air / 70/36 (SS/SS) 3/4" IG											
	0.090	0.563	0.090					AIR	0.036(#3)	CL	TS-D	N,G,S
	U-Factor 0.32			SHGC (N / <1) 0.39 / 0.35				VT (N / <1) 0.55 / 0.49			CR 55	
1042	142.094 SH / Opt 12 (INN Refo LR/KR/BR/S, Foam): 70/36 / arg / clr (SS/SS) 3/4" IG											
	0.090	0.563	0.090					ARG90	0.036(#2)	CL	TS-D	N,G,S
	U-Factor 0.28			SHGC (N / <1) 0.31 / 0.28				VT (N / <1) 0.55 / 0.49			CR 58	
	142.094 SH / Opt 12 (INN Refo LR/KR/BR/S, Foam): clr / arg / 70/36 (SS/SS) 3/4" IG											
	0.090	0.563	0.090					ARG90	0.036(#3)	CL	TS-D	N,G,S
	U-Factor 0.28			SHGC (N / <1) 0.39 / 0.35				VT (N / <1) 0.55 / 0.49			CR 58	

NFRC 100/200/500 Summary Sheet Windgate/Belmont/Stormgate Single Hung

ID	Pane Thickness 1	Gap Width 1	Pane Thickness 2	Gap Width 2	Pane Thickness 3	Gap Width 3	Pane Thickness 4	Gap Fill	Low-e (Surface#)	Tint	Spacer	Grid Type
	U-Factor			Solar Heat Gain Coefficient (SHGC) Grids (None / <1 / >=1)				Visible Transmittance (VT) Grids (None / <1 / >=1)			Condensation Resistance	
1043	142.094 SH / Opt 12 (INN Refo LR/KR/BR/S, Foam): 70/36 / air / clr (DS/DS) 3/4" IG											
	0.117	0.500	0.117					AIR	0.036(#2)	CL	TS-D	N,G,S
	U-Factor 0.32			SHGC (N / <1) 0.31 / 0.28				VT (N / <1) 0.55 / 0.49			CR 54	
	142.094 SH / Opt 12 (INN Refo LR/KR/BR/S, Foam): clr / air / 70/36 (DS/DS) 3/4" IG											
	0.117	0.500	0.117					AIR	0.036(#3)	CL	TS-D	N,G,S
	U-Factor 0.32			SHGC (N / <1) 0.38 / 0.34				VT (N / <1) 0.55 / 0.49			CR 54	
1044	142.094 SH / Opt 12 (INN Refo LR/KR/BR/S, Foam): 70/36 / arg / clr (DS/DS) 3/4" IG											
	0.117	0.500	0.117					ARG90	0.036(#2)	CL	TS-D	N,G,S
	U-Factor 0.28			SHGC (N / <1) 0.30 / 0.27				VT (N / <1) 0.55 / 0.49			CR 57	
	142.094 SH / Opt 12 (INN Refo LR/KR/BR/S, Foam): clr / arg / 70/36 (DS/DS) 3/4" IG											
	0.117	0.500	0.117					ARG90	0.036(#3)	CL	TS-D	N,G,S
	U-Factor 0.28			SHGC (N / <1) 0.38 / 0.35				VT (N / <1) 0.55 / 0.49			CR 57	
1045	142.094 SH / Opt 12 (INN Refo LR/KR/BR/S, Foam): lami / arg / 70/36 (DS 090 DS/DS) 3/4" IG											
	0.264	0.345	0.117					ARG90	0.036(#3)	CL	TS-D	N,S
	U-Factor 0.30			SHGC (N / <1) 0.36 / 0.33				VT (N / <1) 0.54 / 0.48			CR 55	
	142.094 SH / Opt 12 (INN Refo LR/KR/BR/S, Foam): 70/36 / arg / lami (DS/DS 090 DS) 3/4" IG											
	0.117	0.345	0.264					ARG90	0.036(#2)	CL	TS-D	N,S
	U-Factor 0.30			SHGC (N / <1) 0.30 / 0.27				VT (N / <1) 0.54 / 0.48			CR 55	
1046	142.094 SH / Opt 12 (INN Refo LR/KR/BR/S, Foam): lami / arg / 70/36 (DS 090 DS/DS) 3/4" IG											
	0.264	0.345	0.117					ARG90	0.036(#3)	CL	TS-D	G,S
	U-Factor 0.31			SHGC (<1) 0.33				VT (<1) 0.48			CR 55	
	142.094 SH / Opt 12 (INN Refo LR/KR/BR/S, Foam): 70/36 / arg / lami (DS/DS 090 DS) 3/4" IG											
	0.117	0.345	0.264					ARG90	0.036(#2)	CL	TS-D	G,S
	U-Factor 0.31			SHGC (<1) 0.27				VT (<1) 0.48			CR 55	
1047	142.094 SH / Opt 12 (INN Refo LR/KR/BR/S, Foam): 70/36 / arg / clr / arg / 70/36 (SS/SS/SS) 3/4" IG											
	0.090	0.250	0.090	0.250	0.090			ARG90	0.036(#2) / 0.036(#5)	CL	TS-D	N,S
	U-Factor 0.24			SHGC (N / <1) 0.26 / 0.24				VT (N / <1) 0.43 / 0.39			CR 64	
1048	142.094 SH / Opt 12 (INN Refo LR/KR/BR/S, Foam): 70/36 / arg / clr / arg / 70/36 (SS/SS/SS) 3/4" IG											
	0.090	0.250	0.090	0.250	0.090			ARG90	0.036(#2) / 0.036(#5)	CL	TS-D	G,S
	U-Factor 0.25			SHGC (<1) 0.24				VT (<1) 0.39			CR 64	

NFRC 100/200/500 Summary Sheet Windgate/Belmont/Stormgate Single Hung

ID	Pane Thickness 1	Gap Width 1	Pane Thickness 2	Gap Width 2	Pane Thickness 3	Gap Width 3	Pane Thickness 4	Gap Fill	Low-e (Surface#)	Tint	Spacer	Grid Type
	U-Factor			Solar Heat Gain Coefficient (SHGC) Grids (None / <1 / >=1)				Visible Transmittance (VT) Grids (None / <1 / >=1)			Condensation Resistance	
1049	142.094 SH / Opt 12 (INN Refo LR/KR/BR/S, Foam): 80/70 / air / clr (SS/SS) 3/4" IG											
	0.090	0.563	0.090					AIR	0.095(#2)	CL	TS-D	N,G,S
	U-Factor 0.33			SHGC (N / <1) 0.53 / 0.48				VT (N / <1) 0.64 / 0.57			CR 54	
1050	142.094 SH / Opt 12 (INN Refo LR/KR/BR/S, Foam): clr / air / 80/70 (SS/SS) 3/4" IG											
	0.090	0.563	0.090					AIR	0.095(#3)	CL	TS-D	N,G,S
	U-Factor 0.33			SHGC (N / <1) 0.56 / 0.50				VT (N / <1) 0.64 / 0.57			CR 54	
1051	142.094 SH / Opt 12 (INN Refo LR/KR/BR/S, Foam): 80/70 / arg / clr (SS/SS) 3/4" IG											
	0.090	0.563	0.090					ARG90	0.095(#2)	CL	TS-D	N,G,S
	U-Factor 0.30			SHGC (N / <1) 0.53 / 0.48				VT (N / <1) 0.64 / 0.57			CR 57	
1052	142.094 SH / Opt 12 (INN Refo LR/KR/BR/S, Foam): clr / arg / 80/70 (SS/SS) 3/4" IG											
	0.090	0.563	0.090					ARG90	0.095(#3)	CL	TS-D	N,G,S
	U-Factor 0.30			SHGC (N / <1) 0.56 / 0.50				VT (N / <1) 0.64 / 0.57			CR 57	
1053	142.094 SH / Opt 12 (INN Refo LR/KR/BR/S, Foam): 80/70 / air / clr (DS/DS) 3/4" IG											
	0.117	0.500	0.117					AIR	0.095(#2)	CL	TS-D	N,G,S
	U-Factor 0.33			SHGC (N / <1) 0.52 / 0.47				VT (N / <1) 0.63 / 0.57			CR 52	
1054	142.094 SH / Opt 12 (INN Refo LR/KR/BR/S, Foam): clr / air / 80/70 (DS/DS) 3/4" IG											
	0.117	0.500	0.117					AIR	0.095(#3)	CL	TS-D	N,G,S
	U-Factor 0.33			SHGC (N / <1) 0.55 / 0.50				VT (N / <1) 0.63 / 0.57			CR 52	
1055	142.094 SH / Opt 12 (INN Refo LR/KR/BR/S, Foam): 80/70 / arg / clr (DS/DS) 3/4" IG											
	0.117	0.500	0.117					ARG90	0.095(#2)	CL	TS-D	N,G,S
	U-Factor 0.30			SHGC (N / <1) 0.52 / 0.47				VT (N / <1) 0.63 / 0.57			CR 56	
1056	142.094 SH / Opt 12 (INN Refo LR/KR/BR/S, Foam): clr / arg / 80/70 (DS/DS) 3/4" IG											
	0.117	0.500	0.117					ARG90	0.095(#3)	CL	TS-D	N,G,S
	U-Factor 0.30			SHGC (N / <1) 0.55 / 0.50				VT (N / <1) 0.63 / 0.57			CR 56	
1057	142.094 SH / Opt 12 (INN Refo LR/KR/BR/S, Foam): lami / arg / 80/70 (DS 090 DS/DS) 3/4" IG											
	0.264	0.345	0.117					ARG90	0.095(#3)	CL	TS-D	N,S
	U-Factor 0.32			SHGC (N / <1) 0.51 / 0.46				VT (N / <1) 0.62 / 0.56			CR 54	
1058	142.094 SH / Opt 12 (INN Refo LR/KR/BR/S, Foam): 80/70 / arg / lami (DS/DS 090 DS) 3/4" IG											
	0.117	0.345	0.264					ARG90	0.095(#2)	CL	TS-D	N,S
	U-Factor 0.32			SHGC (N / <1) 0.51 / 0.46				VT (N / <1) 0.62 / 0.56			CR 54	

NFRC 100/200/500 Summary Sheet Windgate/Belmont/Stormgate Single Hung

ID	Pane Thickness 1	Gap Width 1	Pane Thickness 2	Gap Width 2	Pane Thickness 3	Gap Width 3	Pane Thickness 4	Gap Width 4	Gap Fill	Low-e (Surface#)	Tint	Spacer	Grid Type
	U-Factor			Solar Heat Gain Coefficient (SHGC) Grids (None / <1 / >=1)					Visible Transmittance (VT) Grids (None / <1 / >=1)			Condensation Resistance	
1054	142.094 SH / Opt 12 (INN Refo LR/KR/BR/S, Foam): lami / arg / 80/70 (DS 090 DS/DS) 3/4" IG												
	0.264	0.345	0.117						ARG90	0.095(#3)	CL	TS-D	G,S
	U-Factor 0.33			SHGC (<1) 0.46					VT (<1) 0.56			CR	54
	142.094 SH / Opt 12 (INN Refo LR/KR/BR/S, Foam): 80/70 / arg / lami (DS/DS 090 DS) 3/4" IG												
	0.117	0.345	0.264						ARG90	0.095(#2)	CL	TS-D	G,S
	U-Factor 0.33			SHGC (<1) 0.46					VT (<1) 0.56			CR	54
1055	142.094 SH / Opt 12 (INN Refo LR/KR/BR/S, Foam): 80/70 / arg / clr / arg / 80/70 (SS/SS/SS) 3/4" IG												
	0.090	0.250	0.090	0.250	0.090				ARG90	0.095(#2) / 0.095(#5)	CL	TS-D	N,S
	U-Factor 0.25			SHGC (N / <1) 0.47 / 0.42					VT (N / <1) 0.58 / 0.51			CR	63
1056	142.094 SH / Opt 12 (INN Refo LR/KR/BR/S, Foam): 80/70 / arg / clr / arg / 80/70 (SS/SS/SS) 3/4" IG												
	0.090	0.250	0.090	0.250	0.090				ARG90	0.095(#2) / 0.095(#5)	CL	TS-D	G,S
	U-Factor 0.26			SHGC (<1) 0.42					VT (<1) 0.51			CR	63
1057	142.294 SH / Opt 1 (No Refo, No Foam): clr / air / clr (SS/SS) 3/4" IG												
	0.087	0.563	0.087						AIR		CL	P1-S	N,G,S
	U-Factor 0.45			SHGC (N / <1) 0.63 / 0.56					VT (N / <1) 0.65 / 0.58			CR	46
1058	142.294 SH / Opt 1 (No Refo, No Foam): clr / air / clr (DS/DS) 3/4" IG												
	0.118	0.500	0.118						AIR		CL	P1-S	N,G,S
	U-Factor 0.45			SHGC (N / <1) 0.61 / 0.55					VT (N / <1) 0.65 / 0.58			CR	45
1059	142.294 SH / Opt 1 (No Refo, No Foam): clr / air / clr (5mm/DS) 3/4" IG												
	0.185	0.438	0.118						AIR		CL	P1-S	N,G,S
	U-Factor 0.46			SHGC (N / <1) 0.59 / 0.53					VT (N / <1) 0.64 / 0.57			CR	45
1060	142.294 SH / Opt 1 (No Refo, No Foam): clr / air / clr (5mm/DS) 3/4" IG												
	0.185	0.438	0.118						AIR		CL	P1-S	G
	U-Factor 0.46			SHGC (<1) 0.53					VT (<1) 0.57			CR	45
1061	142.294 SH / Opt 1 (No Refo, No Foam): lami / air / clr (DS 090 DS/DS) 3/4" IG												
	0.264	0.345	0.118						AIR		CL	P1-S	N,S
	U-Factor 0.47			SHGC (N / <1) 0.56 / 0.51					VT (N / <1) 0.63 / 0.57			CR	44
	142.294 SH / Opt 1 (No Refo, No Foam): clr / air / lami (DS/DS 090 DS) 3/4" IG												
	0.118	0.345	0.264						AIR		CL	P1-S	N,S
	U-Factor 0.47			SHGC (N / <1) 0.59 / 0.53					VT (N / <1) 0.63 / 0.57			CR	44

**NFRC 100/200/500 Summary Sheet
Windgate/Belmont/Stormgate Single Hung**

ID	Pane Thickness 1	Gap Width 1	Pane Thickness 2	Gap Width 2	Pane Thickness 3	Gap Width 3	Pane Thickness 4	Gap Fill	Low-e (Surface#)	Tint	Spacer	Grid Type
	U-Factor			Solar Heat Gain Coefficient (SHGC) Grids (None / <1 / >=1)				Visible Transmittance (VT) Grids (None / <1 / >=1)			Condensation Resistance	
1062	142.294 SH / Opt 1 (No Refo, No Foam): lami / air / clr (DS 090 DS/DS) 3/4" IG											
	0.264	0.345	0.118					AIR		CL	P1-S	G,S
	U-Factor 0.48			SHGC (<1) 0.51				VT (<1) 0.57			CR 44	
	142.294 SH / Opt 1 (No Refo, No Foam): clr / air / lami (DS/DS 090 DS) 3/4" IG											
	0.118	0.345	0.264					AIR		CL	P1-S	G,S
	U-Factor 0.48			SHGC (<1) 0.53				VT (<1) 0.57			CR 44	
1063	142.294 SH / Opt 1 (No Refo, No Foam): clr / air / clr / air / clr (SS/SS/SS) 3/4" IG (P1-S)											
	0.087	0.250	0.087	0.250	0.087			AIR		CL	P1-S	N,S
	U-Factor 0.38			SHGC (N / <1) 0.57 / 0.51				VT (N / <1) 0.60 / 0.54			CR 54	
1064	142.294 SH / Opt 1 (No Refo, No Foam): clr / air / clr / air / clr (SS/SS/SS) 3/4" IG (P1-S)											
	0.087	0.250	0.087	0.250	0.087			AIR		CL	P1-S	G,S
	U-Factor 0.38			SHGC (<1) 0.51				VT (<1) 0.54			CR 54	
1065	142.294 SH / Opt 1 (No Refo, No Foam): E270 / air / clr (SS/SS) 3/4" IG											
	0.087	0.563	0.087					AIR	0.037(#2)	CL	P1-S	N,G,S
	U-Factor 0.31			SHGC (N / <1) 0.30 / 0.27				VT (N / <1) 0.55 / 0.49			CR 58	
	142.294 SH / Opt 1 (No Refo, No Foam): clr / air / E270 (SS/SS) 3/4" IG											
	0.087	0.563	0.087					AIR	0.037(#3)	CL	P1-S	N,G,S
	U-Factor 0.31			SHGC (N / <1) 0.37 / 0.33				VT (N / <1) 0.55 / 0.49			CR 58	
1066	142.294 SH / Opt 1 (No Refo, No Foam): E270 / arg / clr (SS/SS) 3/4" IG											
	0.087	0.563	0.087					ARG90	0.037(#2)	CL	P1-S	N,G,S
	U-Factor 0.28			SHGC (N / <1) 0.29 / 0.26				VT (N / <1) 0.55 / 0.49			CR 63	
	142.294 SH / Opt 1 (No Refo, No Foam): clr / arg / E270 (SS/SS) 3/4" IG											
	0.087	0.563	0.087					ARG90	0.037(#3)	CL	P1-S	N,G,S
	U-Factor 0.28			SHGC (N / <1) 0.37 / 0.33				VT (N / <1) 0.55 / 0.49			CR 63	
1067	142.294 SH / Opt 1 (No Refo, No Foam): E270 / air / clr (DS/DS) 3/4" IG											
	0.118	0.500	0.118					AIR	0.037(#2)	CL	P1-S	N,G,S
	U-Factor 0.31			SHGC (N / <1) 0.30 / 0.27				VT (N / <1) 0.55 / 0.49			CR 57	
	142.294 SH / Opt 1 (No Refo, No Foam): clr / air / E270 (DS/DS) 3/4" IG											
	0.118	0.500	0.118					AIR	0.037(#3)	CL	P1-S	N,G,S
	U-Factor 0.31			SHGC (N / <1) 0.36 / 0.33				VT (N / <1) 0.55 / 0.49			CR 57	

**NFRC 100/200/500 Summary Sheet
Windgate/Belmont/Stormgate Single Hung**

ID	Pane Thickness 1	Gap Width 1	Pane Thickness 2	Gap Width 2	Pane Thickness 3	Gap Width 3	Pane Thickness 4	Gap Fill	Low-e (Surface#)	Tint	Spacer	Grid Type
	U-Factor			Solar Heat Gain Coefficient (SHGC) Grids (None / <1 / >=1)				Visible Transmittance (VT) Grids (None / <1 / >=1)			Condensation Resistance	
1068	142.294 SH / Opt 1 (No Refo, No Foam): E270 / arg / clr (DS/DS) 3/4" IG											
	0.118	0.500	0.118					ARG90	0.037(#2)	CL	P1-S	N,G,S
	U-Factor 0.27			SHGC (N / <1) 0.29 / 0.26				VT (N / <1) 0.55 / 0.49			CR	62
	142.294 SH / Opt 1 (No Refo, No Foam): clr / arg / E270 (DS/DS) 3/4" IG											
	0.118	0.500	0.118					ARG90	0.037(#3)	CL	P1-S	N,G,S
	U-Factor 0.27			SHGC (N / <1) 0.36 / 0.33				VT (N / <1) 0.55 / 0.49			CR	62
1069	142.294 SH / Opt 1 (No Refo, No Foam): lami / arg / E270 (DS 090 DS/DS) 3/4" IG											
	0.264	0.345	0.118					ARG90	0.037(#3)	CL	P1-S	N,S
	U-Factor 0.30			SHGC (N / <1) 0.35 / 0.31				VT (N / <1) 0.54 / 0.48			CR	59
	142.294 SH / Opt 1 (No Refo, No Foam): E270 / arg / lami (DS/DS 090 DS) 3/4" IG											
	0.118	0.345	0.264					ARG90	0.037(#2)	CL	P1-S	N,S
	U-Factor 0.30			SHGC (N / <1) 0.29 / 0.26				VT (N / <1) 0.54 / 0.48			CR	59
1070	142.294 SH / Opt 1 (No Refo, No Foam): lami / arg / E270 (DS 090 DS/DS) 3/4" IG											
	0.264	0.345	0.118					ARG90	0.037(#3)	CL	P1-S	G,S
	U-Factor 0.31			SHGC (<1) 0.31				VT (<1) 0.48			CR	59
	142.294 SH / Opt 1 (No Refo, No Foam): E270 / arg / lami (DS/DS 090 DS) 3/4" IG											
	0.118	0.345	0.264					ARG90	0.037(#2)	CL	P1-S	G,S
	U-Factor 0.31			SHGC (<1) 0.26				VT (<1) 0.48			CR	59
1071	142.294 SH / Opt 1 (No Refo, No Foam): E270 / arg / clr / arg / E270 (SS/SS/SS) 3/4" IG (P1-S)											
	0.087	0.250	0.087	0.250	0.087			ARG90	0.037(#2) / 0.037(#5)	CL	P1-S	N,S
	U-Factor 0.24			SHGC (N / <1) 0.25 / 0.23				VT (N / <1) 0.43 / 0.39			CR	69
1072	142.294 SH / Opt 1 (No Refo, No Foam): E270 / arg / clr / arg / E270 (SS/SS/SS) 3/4" IG (P1-S)											
	0.087	0.250	0.087	0.250	0.087			ARG90	0.037(#2) / 0.037(#5)	CL	P1-S	G,S
	U-Factor 0.25			SHGC (<1) 0.23				VT (<1) 0.39			CR	69
1073	142.294 SH / Opt 1 (No Refo, No Foam): E366 / air / clr (SS/SS) 3/4" IG											
	0.087	0.563	0.087					AIR	0.022(#2)	CL	P1-S	N,G,S
	U-Factor 0.31			SHGC (N / <1) 0.22 / 0.20				VT (N / <1) 0.51 / 0.46			CR	59
	142.294 SH / Opt 1 (No Refo, No Foam): clr / air / E366 (SS/SS) 3/4" IG											
	0.087	0.563	0.087					AIR	0.022(#3)	CL	P1-S	N,G,S
	U-Factor 0.31			SHGC (N / <1) 0.31 / 0.28				VT (N / <1) 0.51 / 0.46			CR	59

**NFRC 100/200/500 Summary Sheet
Windgate/Belmont/Stormgate Single Hung**

ID	Pane Thickness 1	Gap Width 1	Pane Thickness 2	Gap Width 2	Pane Thickness 3	Gap Width 3	Pane Thickness 4	Gap Fill	Low-e (Surface#)	Tint	Spacer	Grid Type
	U-Factor			Solar Heat Gain Coefficient (SHGC) Grids (None / <1 / >=1)				Visible Transmittance (VT) Grids (None / <1 / >=1)			Condensation Resistance	
1074	142.294 SH / Opt 1 (No Refo, No Foam): E366 / arg / clr (SS/SS) 3/4" IG											
	0.087	0.563	0.087					ARG90	0.022(#2)	CL	P1-S	N,G,S
	U-Factor 0.27			SHGC (N / <1) 0.22 / 0.20				VT (N / <1) 0.51 / 0.46			CR	63
	142.294 SH / Opt 1 (No Refo, No Foam): clr / arg / E366 (SS/SS) 3/4" IG											
	0.087	0.563	0.087					ARG90	0.022(#3)	CL	P1-S	N,G,S
	U-Factor 0.27			SHGC (N / <1) 0.31 / 0.28				VT (N / <1) 0.51 / 0.46			CR	63
1075	142.294 SH / Opt 1 (No Refo, No Foam): E366 / air / clr (DS/DS) 3/4" IG											
	0.117	0.500	0.118					AIR	0.022(#2)	CL	P1-S	N,G,S
	U-Factor 0.31			SHGC (N / <1) 0.22 / 0.20				VT (N / <1) 0.51 / 0.45			CR	58
	142.294 SH / Opt 1 (No Refo, No Foam): clr / air / E366 (DS/DS) 3/4" IG											
	0.118	0.500	0.117					AIR	0.022(#3)	CL	P1-S	N,G,S
	U-Factor 0.31			SHGC (N / <1) 0.30 / 0.28				VT (N / <1) 0.51 / 0.45			CR	58
1076	142.294 SH / Opt 1 (No Refo, No Foam): E366 / arg / clr (DS/DS) 3/4" IG											
	0.117	0.500	0.118					ARG90	0.022(#2)	CL	P1-S	N,G,S
	U-Factor 0.27			SHGC (N / <1) 0.22 / 0.20				VT (N / <1) 0.51 / 0.45			CR	62
	142.294 SH / Opt 1 (No Refo, No Foam): clr / arg / E366 (DS/DS) 3/4" IG											
	0.118	0.500	0.117					ARG90	0.022(#3)	CL	P1-S	N,G,S
	U-Factor 0.27			SHGC (N / <1) 0.31 / 0.28				VT (N / <1) 0.51 / 0.45			CR	62
1077	142.294 SH / Opt 1 (No Refo, No Foam): lami / arg / E366 (DS 090 DS/DS) 3/4" IG											
	0.264	0.345	0.117					ARG90	0.022(#3)	CL	P1-S	N,S
	U-Factor 0.29			SHGC (N / <1) 0.29 / 0.27				VT (N / <1) 0.50 / 0.44			CR	60
	142.294 SH / Opt 1 (No Refo, No Foam): E366 / arg / lami (DS/DS 090 DS) 3/4" IG											
	0.117	0.345	0.264					ARG90	0.022(#2)	CL	P1-S	N,S
	U-Factor 0.29			SHGC (N / <1) 0.22 / 0.20				VT (N / <1) 0.50 / 0.44			CR	60
1078	142.294 SH / Opt 1 (No Refo, No Foam): lami / arg / E366 (DS 090 DS/DS) 3/4" IG											
	0.264	0.345	0.117					ARG90	0.022(#3)	CL	P1-S	G,S
	U-Factor 0.31			SHGC (<1) 0.27				VT (<1) 0.44			CR	60
	142.294 SH / Opt 1 (No Refo, No Foam): E366 / arg / lami (DS/DS 090 DS) 3/4" IG											
	0.117	0.345	0.264					ARG90	0.022(#2)	CL	P1-S	G,S
	U-Factor 0.31			SHGC (<1) 0.20				VT (<1) 0.44			CR	60

**NFRC 100/200/500 Summary Sheet
Windgate/Belmont/Stormgate Single Hung**

ID	Pane Thickness 1	Gap Width 1	Pane Thickness 2	Gap Width 2	Pane Thickness 3	Gap Width 3	Pane Thickness 4	Gap Fill	Low-e (Surface#)	Tint	Spacer	Grid Type
	U-Factor			Solar Heat Gain Coefficient (SHGC) Grids (None / <1 / >=1)				Visible Transmittance (VT) Grids (None / <1 / >=1)			Condensation Resistance	
1079	142.294 SH / Opt 1 (No Refo, No Foam): E366 / arg / clr / arg / E366 (SS/SS/SS) 3/4" IG (P1-S)											
	0.087	0.250	0.087	0.250	0.087			ARG90	0.022(#2) / 0.022(#5)	CL	P1-S	N,S
	U-Factor 0.23			SHGC (N / <1) 0.19 / 0.17				VT (N / <1) 0.37 / 0.33			CR 69	
1080	142.294 SH / Opt 1 (No Refo, No Foam): E366 / arg / clr / arg / E366 (SS/SS/SS) 3/4" IG (P1-S)											
	0.087	0.250	0.087	0.250	0.087			ARG90	0.022(#2) / 0.022(#5)	CL	P1-S	G,S
	U-Factor 0.24			SHGC (<1) 0.17				VT (<1) 0.33			CR 69	
1081	142.294 SH / Opt 1 (No Refo, No Foam): 70/36 / air / clr (SS/SS) 3/4" IG											
	0.090	0.563	0.090					AIR	0.036(#2)	CL	P1-S	N,G,S
	U-Factor 0.31			SHGC (N / <1) 0.31 / 0.28				VT (N / <1) 0.55 / 0.49			CR 58	
	142.294 SH / Opt 1 (No Refo, No Foam): clr / air / 70/36 (SS/SS) 3/4" IG											
	0.090	0.563	0.090					AIR	0.036(#3)	CL	P1-S	N,G,S
	U-Factor 0.31			SHGC (N / <1) 0.39 / 0.35				VT (N / <1) 0.55 / 0.49			CR 58	
1082	142.294 SH / Opt 1 (No Refo, No Foam): 70/36 / arg / clr (SS/SS) 3/4" IG											
	0.090	0.563	0.090					ARG90	0.036(#2)	CL	P1-S	N,G,S
	U-Factor 0.28			SHGC (N / <1) 0.31 / 0.28				VT (N / <1) 0.55 / 0.49			CR 63	
	142.294 SH / Opt 1 (No Refo, No Foam): clr / arg / 70/36 (SS/SS) 3/4" IG											
	0.090	0.563	0.090					ARG90	0.036(#3)	CL	P1-S	N,G,S
	U-Factor 0.28			SHGC (N / <1) 0.39 / 0.35				VT (N / <1) 0.55 / 0.49			CR 63	
1083	142.294 SH / Opt 1 (No Refo, No Foam): 70/36 / air / clr (DS/DS) 3/4" IG											
	0.117	0.500	0.117					AIR	0.036(#2)	CL	P1-S	N,G,S
	U-Factor 0.31			SHGC (N / <1) 0.31 / 0.28				VT (N / <1) 0.55 / 0.49			CR 58	
	142.294 SH / Opt 1 (No Refo, No Foam): clr / air / 70/36 (DS/DS) 3/4" IG											
	0.117	0.500	0.117					AIR	0.036(#3)	CL	P1-S	N,G,S
	U-Factor 0.31			SHGC (N / <1) 0.38 / 0.34				VT (N / <1) 0.55 / 0.49			CR 58	
1084	142.294 SH / Opt 1 (No Refo, No Foam): 70/36 / arg / clr (DS/DS) 3/4" IG											
	0.117	0.500	0.117					ARG90	0.036(#2)	CL	P1-S	N,G,S
	U-Factor 0.27			SHGC (N / <1) 0.30 / 0.27				VT (N / <1) 0.55 / 0.49			CR 62	
	142.294 SH / Opt 1 (No Refo, No Foam): clr / arg / 70/36 (DS/DS) 3/4" IG											
	0.117	0.500	0.117					ARG90	0.036(#3)	CL	P1-S	N,G,S
	U-Factor 0.27			SHGC (N / <1) 0.38 / 0.35				VT (N / <1) 0.55 / 0.49			CR 62	

**NFRC 100/200/500 Summary Sheet
 Windgate/Belmont/Stormgate Single Hung**

ID	Pane Thickness 1	Gap Width 1	Pane Thickness 2	Gap Width 2	Pane Thickness 3	Gap Width 3	Pane Thickness 4	Gap Fill	Low-e (Surface#)	Tint	Spacer	Grid Type
	U-Factor			Solar Heat Gain Coefficient (SHGC) Grids (None / <1 / >=1)				Visible Transmittance (VT) Grids (None / <1 / >=1)			Condensation Resistance	
1085	142.294 SH / Opt 1 (No Refo, No Foam): lami / arg / 70/36 (DS 090 DS/DS) 3/4" IG											
	0.264	0.345	0.117					ARG90	0.036(#3)	CL	P1-S	N,S
	U-Factor 0.30			SHGC (N / <1) 0.36 / 0.33				VT (N / <1) 0.54 / 0.48			CR 59	
	142.294 SH / Opt 1 (No Refo, No Foam): 70/36 / arg / lami (DS/DS 090 DS) 3/4" IG											
	0.117	0.345	0.264					ARG90	0.036(#2)	CL	P1-S	N,S
	U-Factor 0.30			SHGC (N / <1) 0.30 / 0.27				VT (N / <1) 0.54 / 0.48			CR 59	
1086	142.294 SH / Opt 1 (No Refo, No Foam): lami / arg / 70/36 (DS 090 DS/DS) 3/4" IG											
	0.264	0.345	0.117					ARG90	0.036(#3)	CL	P1-S	G,S
	U-Factor 0.31			SHGC (<1) 0.33				VT (<1) 0.48			CR 59	
	142.294 SH / Opt 1 (No Refo, No Foam): 70/36 / arg / lami (DS/DS 090 DS) 3/4" IG											
	0.117	0.345	0.264					ARG90	0.036(#2)	CL	P1-S	G,S
	U-Factor 0.31			SHGC (<1) 0.27				VT (<1) 0.48			CR 59	
1087	142.294 SH / Opt 1 (No Refo, No Foam): 70/36 / arg / clr / arg / 70/36 (SS/SS/SS) 3/4" IG											
	0.090	0.250	0.090	0.250	0.090			ARG90	0.036(#2) / 0.036(#5)	CL	P1-S	N,S
	U-Factor 0.24			SHGC (N / <1) 0.26 / 0.24				VT (N / <1) 0.43 / 0.39			CR 69	
1088	142.294 SH / Opt 1 (No Refo, No Foam): 70/36 / arg / clr / arg / 70/36 (SS/SS/SS) 3/4" IG											
	0.090	0.250	0.090	0.250	0.090			ARG90	0.036(#2) / 0.036(#5)	CL	P1-S	G,S
	U-Factor 0.25			SHGC (<1) 0.24				VT (<1) 0.39			CR 69	
1089	142.294 SH / Opt 1 (No Refo, No Foam): 80/70 / air / clr (SS/SS) 3/4" IG											
	0.090	0.563	0.090					AIR	0.095(#2)	CL	P1-S	N,G,S
	U-Factor 0.33			SHGC (N / <1) 0.53 / 0.48				VT (N / <1) 0.64 / 0.57			CR 57	
	142.294 SH / Opt 1 (No Refo, No Foam): clr / air / 80/70 (SS/SS) 3/4" IG											
	0.090	0.563	0.090					AIR	0.095(#3)	CL	P1-S	N,G,S
	U-Factor 0.33			SHGC (N / <1) 0.56 / 0.50				VT (N / <1) 0.64 / 0.57			CR 57	
1090	142.294 SH / Opt 1 (No Refo, No Foam): 80/70 / arg / clr (SS/SS) 3/4" IG											
	0.090	0.563	0.090					ARG90	0.095(#2)	CL	P1-S	N,G,S
	U-Factor 0.29			SHGC (N / <1) 0.53 / 0.48				VT (N / <1) 0.64 / 0.57			CR 61	
	142.294 SH / Opt 1 (No Refo, No Foam): clr / arg / 80/70 (SS/SS) 3/4" IG											
	0.090	0.563	0.090					ARG90	0.095(#3)	CL	P1-S	N,G,S
	U-Factor 0.29			SHGC (N / <1) 0.56 / 0.50				VT (N / <1) 0.64 / 0.57			CR 61	

**NFRC 100/200/500 Summary Sheet
Windgate/Belmont/Stormgate Single Hung**

ID	Pane Thickness 1	Gap Width 1	Pane Thickness 2	Gap Width 2	Pane Thickness 3	Gap Width 3	Pane Thickness 4	Gap Fill	Low-e (Surface#)	Tint	Spacer	Grid Type
	U-Factor			Solar Heat Gain Coefficient (SHGC) Grids (None / <1 / >=1)				Visible Transmittance (VT) Grids (None / <1 / >=1)			Condensation Resistance	
1091	142.294 SH / Opt 1 (No Refo, No Foam): 80/70 / air / clr (DS/DS) 3/4" IG											
	0.117	0.500	0.117					AIR	0.095(#2)	CL	P1-S	N,G,S
	U-Factor 0.33			SHGC (N / <1) 0.52 / 0.47				VT (N / <1) 0.63 / 0.57			CR	56
	142.294 SH / Opt 1 (No Refo, No Foam): clr / air / 80/70 (DS/DS) 3/4" IG											
	0.117	0.500	0.117					AIR	0.095(#3)	CL	P1-S	N,G,S
	U-Factor 0.33			SHGC (N / <1) 0.55 / 0.50				VT (N / <1) 0.63 / 0.57			CR	56
1092	142.294 SH / Opt 1 (No Refo, No Foam): 80/70 / arg / clr (DS/DS) 3/4" IG											
	0.117	0.500	0.117					ARG90	0.095(#2)	CL	P1-S	N,G,S
	U-Factor 0.29			SHGC (N / <1) 0.52 / 0.47				VT (N / <1) 0.63 / 0.57			CR	60
	142.294 SH / Opt 1 (No Refo, No Foam): clr / arg / 80/70 (DS/DS) 3/4" IG											
	0.117	0.500	0.117					ARG90	0.095(#3)	CL	P1-S	N,G,S
	U-Factor 0.29			SHGC (N / <1) 0.55 / 0.50				VT (N / <1) 0.63 / 0.57			CR	60
1093	142.294 SH / Opt 1 (No Refo, No Foam): lami / arg / 80/70 (DS 090 DS/DS) 3/4" IG											
	0.264	0.345	0.117					ARG90	0.095(#3)	CL	P1-S	N,S
	U-Factor 0.31			SHGC (N / <1) 0.51 / 0.46				VT (N / <1) 0.62 / 0.56			CR	58
	142.294 SH / Opt 1 (No Refo, No Foam): 80/70 / arg / lami (DS/DS 090 DS) 3/4" IG											
	0.117	0.345	0.264					ARG90	0.095(#2)	CL	P1-S	N,S
	U-Factor 0.31			SHGC (N / <1) 0.51 / 0.46				VT (N / <1) 0.62 / 0.56			CR	58
1094	142.294 SH / Opt 1 (No Refo, No Foam): lami / arg / 80/70 (DS 090 DS/DS) 3/4" IG											
	0.264	0.345	0.117					ARG90	0.095(#3)	CL	P1-S	G,S
	U-Factor 0.33			SHGC (<1) 0.46				VT (<1) 0.56			CR	58
	142.294 SH / Opt 1 (No Refo, No Foam): 80/70 / arg / lami (DS/DS 090 DS) 3/4" IG											
	0.117	0.345	0.264					ARG90	0.095(#2)	CL	P1-S	G,S
	U-Factor 0.33			SHGC (<1) 0.46				VT (<1) 0.56			CR	58
1095	142.294 SH / Opt 1 (No Refo, No Foam): 80/70 / arg / clr / arg / 80/70 (SS/SS/SS) 3/4" IG											
	0.090	0.250	0.090	0.250	0.090			ARG90	0.095(#2) / 0.095(#5)	CL	P1-S	N,S
	U-Factor 0.25			SHGC (N / <1) 0.47 / 0.42				VT (N / <1) 0.58 / 0.51			CR	68
1096	142.294 SH / Opt 1 (No Refo, No Foam): 80/70 / arg / clr / arg / 80/70 (SS/SS/SS) 3/4" IG											
	0.090	0.250	0.090	0.250	0.090			ARG90	0.095(#2) / 0.095(#5)	CL	P1-S	G,S
	U-Factor 0.26			SHGC (<1) 0.42				VT (<1) 0.51			CR	68

**NFRC 100/200/500 Summary Sheet
 Windgate/Belmont/Stormgate Single Hung**

ID	Pane Thickness 1	Gap Width 1	Pane Thickness 2	Gap Width 2	Pane Thickness 3	Gap Width 3	Pane Thickness 4	Gap Fill	Low-e (Surface#)	Tint	Spacer	Grid Type
	U-Factor			Solar Heat Gain Coefficient (SHGC) Grids (None / <1 / >=1)				Visible Transmittance (VT) Grids (None / <1 / >=1)			Condensation Resistance	
1097	142.294 SH / Opt 1 (No Refo, No Foam): clr / air / clr (SS/SS) 3/4" IG											
	0.087	0.563	0.087					AIR		CL	SS-D	N,G,S
	U-Factor 0.46			SHGC (N / <1) 0.63 / 0.56				VT (N / <1) 0.65 / 0.58			CR 45	
1098	142.294 SH / Opt 1 (No Refo, No Foam): clr / air / clr (DS/DS) 3/4" IG											
	0.118	0.500	0.118					AIR		CL	SS-D	N,G,S
	U-Factor 0.46			SHGC (N / <1) 0.61 / 0.55				VT (N / <1) 0.65 / 0.58			CR 44	
1099	142.294 SH / Opt 1 (No Refo, No Foam): clr / air / clr (5mm/DS) 3/4" IG											
	0.185	0.438	0.118					AIR		CL	SS-D	N,G,S
	U-Factor 0.47			SHGC (N / <1) 0.59 / 0.53				VT (N / <1) 0.64 / 0.57			CR 44	
1100	142.294 SH / Opt 1 (No Refo, No Foam): clr / air / clr (5mm/DS) 3/4" IG											
	0.185	0.438	0.118					AIR		CL	SS-D	G
	U-Factor 0.47			SHGC (<1) 0.53				VT (<1) 0.57			CR 44	
1101	142.294 SH / Opt 1 (No Refo, No Foam): lami / air / clr (DS 090 DS/DS) 3/4" IG											
	0.264	0.345	0.118					AIR		CL	SS-D	N,S
	U-Factor 0.48			SHGC (N / <1) 0.56 / 0.51				VT (N / <1) 0.63 / 0.57			CR 43	
	142.294 SH / Opt 1 (No Refo, No Foam): clr / air / lami (DS/DS 090 DS) 3/4" IG											
	0.118	0.345	0.264					AIR		CL	SS-D	N,S
	U-Factor 0.48			SHGC (N / <1) 0.59 / 0.53				VT (N / <1) 0.63 / 0.57			CR 43	
1102	142.294 SH / Opt 1 (No Refo, No Foam): lami / air / clr (DS 090 DS/DS) 3/4" IG											
	0.264	0.345	0.118					AIR		CL	SS-D	G,S
	U-Factor 0.49			SHGC (<1) 0.51				VT (<1) 0.57			CR 43	
	142.294 SH / Opt 1 (No Refo, No Foam): clr / air / lami (DS/DS 090 DS) 3/4" IG											
	0.118	0.345	0.264					AIR		CL	SS-D	G,S
	U-Factor 0.49			SHGC (<1) 0.53				VT (<1) 0.57			CR 43	
1103	142.294 SH / Opt 1 (No Refo, No Foam): clr / air / clr / air / clr (SS/SS/SS) 3/4" IG (P1-S)											
	0.087	0.250	0.087	0.250	0.087			AIR		CL	SS-D	N,S
	U-Factor 0.38			SHGC (N / <1) 0.57 / 0.51				VT (N / <1) 0.60 / 0.54			CR 53	
1104	142.294 SH / Opt 1 (No Refo, No Foam): clr / air / clr / air / clr (SS/SS/SS) 3/4" IG (P1-S)											
	0.087	0.250	0.087	0.250	0.087			AIR		CL	SS-D	G,S
	U-Factor 0.39			SHGC (<1) 0.51				VT (<1) 0.54			CR 53	

**NFRC 100/200/500 Summary Sheet
Windgate/Belmont/Stormgate Single Hung**

ID	Pane Thickness 1	Gap Width 1	Pane Thickness 2	Gap Width 2	Pane Thickness 3	Gap Width 3	Pane Thickness 4	Gap Fill	Low-e (Surface#)	Tint	Spacer	Grid Type
	U-Factor			Solar Heat Gain Coefficient (SHGC) Grids (None / <1 / >=1)				Visible Transmittance (VT) Grids (None / <1 / >=1)			Condensation Resistance	
1105	142.294 SH / Opt 1 (No Refo, No Foam): E270 / air / clr (SS/SS) 3/4" IG											
	0.087	0.563	0.087					AIR	0.037(#2)	CL	SS-D	N,G,S
	U-Factor 0.32			SHGC (N / <1) 0.30 / 0.27				VT (N / <1) 0.55 / 0.49			CR	56
	142.294 SH / Opt 1 (No Refo, No Foam): clr / air / E270 (SS/SS) 3/4" IG											
	0.087	0.563	0.087					AIR	0.037(#3)	CL	SS-D	N,G,S
	U-Factor 0.32			SHGC (N / <1) 0.37 / 0.33				VT (N / <1) 0.55 / 0.49			CR	56
1106	142.294 SH / Opt 1 (No Refo, No Foam): E270 / arg / clr (SS/SS) 3/4" IG											
	0.087	0.563	0.087					ARG90	0.037(#2)	CL	SS-D	N,G,S
	U-Factor 0.29			SHGC (N / <1) 0.29 / 0.26				VT (N / <1) 0.55 / 0.49			CR	59
	142.294 SH / Opt 1 (No Refo, No Foam): clr / arg / E270 (SS/SS) 3/4" IG											
	0.087	0.563	0.087					ARG90	0.037(#3)	CL	SS-D	N,G,S
	U-Factor 0.29			SHGC (N / <1) 0.37 / 0.33				VT (N / <1) 0.55 / 0.49			CR	59
1107	142.294 SH / Opt 1 (No Refo, No Foam): E270 / air / clr (DS/DS) 3/4" IG											
	0.118	0.500	0.118					AIR	0.037(#2)	CL	SS-D	N,G,S
	U-Factor 0.32			SHGC (N / <1) 0.30 / 0.27				VT (N / <1) 0.55 / 0.49			CR	55
	142.294 SH / Opt 1 (No Refo, No Foam): clr / air / E270 (DS/DS) 3/4" IG											
	0.118	0.500	0.118					AIR	0.037(#3)	CL	SS-D	N,G,S
	U-Factor 0.32			SHGC (N / <1) 0.36 / 0.33				VT (N / <1) 0.55 / 0.49			CR	55
1108	142.294 SH / Opt 1 (No Refo, No Foam): E270 / arg / clr (DS/DS) 3/4" IG											
	0.118	0.500	0.118					ARG90	0.037(#2)	CL	SS-D	N,G,S
	U-Factor 0.28			SHGC (N / <1) 0.29 / 0.26				VT (N / <1) 0.55 / 0.49			CR	59
	142.294 SH / Opt 1 (No Refo, No Foam): clr / arg / E270 (DS/DS) 3/4" IG											
	0.118	0.500	0.118					ARG90	0.037(#3)	CL	SS-D	N,G,S
	U-Factor 0.28			SHGC (N / <1) 0.36 / 0.33				VT (N / <1) 0.55 / 0.49			CR	59
1109	142.294 SH / Opt 1 (No Refo, No Foam): lami / arg / E270 (DS 090 DS/DS) 3/4" IG											
	0.264	0.345	0.118					ARG90	0.037(#3)	CL	SS-D	N,S
	U-Factor 0.30			SHGC (N / <1) 0.35 / 0.31				VT (N / <1) 0.54 / 0.48			CR	57
	142.294 SH / Opt 1 (No Refo, No Foam): E270 / arg / lami (DS/DS 090 DS) 3/4" IG											
	0.118	0.345	0.264					ARG90	0.037(#2)	CL	SS-D	N,S
	U-Factor 0.30			SHGC (N / <1) 0.29 / 0.26				VT (N / <1) 0.54 / 0.48			CR	57

NFRC 100/200/500 Summary Sheet Windgate/Belmont/Stormgate Single Hung

ID	Pane Thickness 1	Gap Width 1	Pane Thickness 2	Gap Width 2	Pane Thickness 3	Gap Width 3	Pane Thickness 4	Gap Width 4	Gap Fill	Low-e (Surface#)	Tint	Spacer	Grid Type
	U-Factor			Solar Heat Gain Coefficient (SHGC) Grids (None / <1 / >=1)				Visible Transmittance (VT) Grids (None / <1 / >=1)			Condensation Resistance		
1110	142.294 SH / Opt 1 (No Refo, No Foam): lami / arg / E270 (DS 090 DS/DS) 3/4" IG												
	0.264	0.345	0.118						ARG90	0.037(#3)	CL	SS-D	G,S
	U-Factor 0.32			SHGC (<1) 0.31				VT (<1) 0.48			CR 56		
	142.294 SH / Opt 1 (No Refo, No Foam): E270 / arg / lami (DS/DS 090 DS) 3/4" IG												
	0.118	0.345	0.264						ARG90	0.037(#2)	CL	SS-D	G,S
	U-Factor 0.32			SHGC (<1) 0.26				VT (<1) 0.48			CR 56		
1111	142.294 SH / Opt 1 (No Refo, No Foam): E270 / arg / clr / arg / E270 (SS/SS/SS) 3/4" IG (SS-D)												
	0.087	0.266	0.087	0.266	0.087				ARG90	0.037(#2) / 0.037(#5)	CL	SS-D	N,S
	U-Factor 0.24			SHGC (N / <1) 0.25 / 0.23				VT (N / <1) 0.43 / 0.39			CR 67		
1112	142.294 SH / Opt 1 (No Refo, No Foam): E270 / arg / clr / arg / E270 (SS/SS/SS) 3/4" IG (SS-D)												
	0.087	0.266	0.087	0.266	0.087				ARG90	0.037(#2) / 0.037(#5)	CL	SS-D	G,S
	U-Factor 0.25			SHGC (<1) 0.23				VT (<1) 0.39			CR 67		
1113	142.294 SH / Opt 1 (No Refo, No Foam): E366 / air / clr (SS/SS) 3/4" IG												
	0.087	0.563	0.087						AIR	0.022(#2)	CL	SS-D	N,G,S
	U-Factor 0.32			SHGC (N / <1) 0.22 / 0.20				VT (N / <1) 0.51 / 0.46			CR 56		
	142.294 SH / Opt 1 (No Refo, No Foam): clr / air / E366 (SS/SS) 3/4" IG												
	0.087	0.563	0.087						AIR	0.022(#3)	CL	SS-D	N,G,S
	U-Factor 0.32			SHGC (N / <1) 0.31 / 0.28				VT (N / <1) 0.51 / 0.46			CR 56		
1114	142.294 SH / Opt 1 (No Refo, No Foam): E366 / arg / clr (SS/SS) 3/4" IG												
	0.087	0.563	0.087						ARG90	0.022(#2)	CL	SS-D	N,G,S
	U-Factor 0.28			SHGC (N / <1) 0.22 / 0.20				VT (N / <1) 0.51 / 0.46			CR 60		
	142.294 SH / Opt 1 (No Refo, No Foam): clr / arg / E366 (SS/SS) 3/4" IG												
	0.087	0.563	0.087						ARG90	0.022(#3)	CL	SS-D	N,G,S
	U-Factor 0.28			SHGC (N / <1) 0.31 / 0.28				VT (N / <1) 0.51 / 0.46			CR 60		
1115	142.294 SH / Opt 1 (No Refo, No Foam): E366 / air / clr (DS/DS) 3/4" IG												
	0.117	0.500	0.118						AIR	0.022(#2)	CL	SS-D	N,G,S
	U-Factor 0.32			SHGC (N / <1) 0.22 / 0.20				VT (N / <1) 0.51 / 0.45			CR 55		
	142.294 SH / Opt 1 (No Refo, No Foam): clr / air / E366 (DS/DS) 3/4" IG												
	0.118	0.500	0.117						AIR	0.022(#3)	CL	SS-D	N,G,S
	U-Factor 0.32			SHGC (N / <1) 0.30 / 0.28				VT (N / <1) 0.51 / 0.45			CR 55		

**NFRC 100/200/500 Summary Sheet
 Windgate/Belmont/Stormgate Single Hung**

ID	Pane Thickness 1	Gap Width 1	Pane Thickness 2	Gap Width 2	Pane Thickness 3	Gap Width 3	Pane Thickness 4	Gap Fill	Low-e (Surface#)	Tint	Spacer	Grid Type
	U-Factor			Solar Heat Gain Coefficient (SHGC) Grids (None / <1 / >=1)				Visible Transmittance (VT) Grids (None / <1 / >=1)			Condensation Resistance	
1116	142.294 SH / Opt 1 (No Refo, No Foam): E366 / arg / clr (DS/DS) 3/4" IG											
	0.117	0.500	0.118					ARG90	0.022(#2)	CL	SS-D	N,G,S
	U-Factor 0.28			SHGC (N / <1) 0.22 / 0.20				VT (N / <1) 0.51 / 0.45			CR 59	
	142.294 SH / Opt 1 (No Refo, No Foam): clr / arg / E366 (DS/DS) 3/4" IG											
	0.118	0.500	0.117					ARG90	0.022(#3)	CL	SS-D	N,G,S
	U-Factor 0.28			SHGC (N / <1) 0.31 / 0.28				VT (N / <1) 0.51 / 0.45			CR 59	
1117	142.294 SH / Opt 1 (No Refo, No Foam): lami / arg / E366 (DS 090 DS/DS) 3/4" IG											
	0.264	0.345	0.117					ARG90	0.022(#3)	CL	SS-D	N,S
	U-Factor 0.30			SHGC (N / <1) 0.29 / 0.27				VT (N / <1) 0.50 / 0.44			CR 57	
	142.294 SH / Opt 1 (No Refo, No Foam): E366 / arg / lami (DS/DS 090 DS) 3/4" IG											
	0.117	0.345	0.264					ARG90	0.022(#2)	CL	SS-D	N,S
	U-Factor 0.30			SHGC (N / <1) 0.22 / 0.20				VT (N / <1) 0.50 / 0.44			CR 57	
1118	142.294 SH / Opt 1 (No Refo, No Foam): lami / arg / E366 (DS 090 DS/DS) 3/4" IG											
	0.264	0.345	0.117					ARG90	0.022(#3)	CL	SS-D	G,S
	U-Factor 0.31			SHGC (<1) 0.27				VT (<1) 0.44			CR 57	
	142.294 SH / Opt 1 (No Refo, No Foam): E366 / arg / lami (DS/DS 090 DS) 3/4" IG											
	0.117	0.345	0.264					ARG90	0.022(#2)	CL	SS-D	G,S
	U-Factor 0.31			SHGC (<1) 0.20				VT (<1) 0.44			CR 57	
1119	142.294 SH / Opt 1 (No Refo, No Foam): E366 / arg / clr / arg / E366 (SS/SS/SS) 3/4" IG (SS-D)											
	0.087	0.266	0.087	0.266	0.087			ARG90	0.022(#2) / 0.022(#5)	CL	SS-D	N,S
	U-Factor 0.24			SHGC (N / <1) 0.19 / 0.17				VT (N / <1) 0.37 / 0.33			CR 67	
1120	142.294 SH / Opt 1 (No Refo, No Foam): E366 / arg / clr / arg / E366 (SS/SS/SS) 3/4" IG (SS-D)											
	0.087	0.266	0.087	0.266	0.087			ARG90	0.022(#2) / 0.022(#5)	CL	SS-D	G,S
	U-Factor 0.24			SHGC (<1) 0.17				VT (<1) 0.33			CR 67	
1121	142.294 SH / Opt 1 (No Refo, No Foam): clr / air / clr (SS/SS) 3/4" IG											
	0.087	0.563	0.087					AIR		CL	TS-D	N,G,S
	U-Factor 0.46			SHGC (N / <1) 0.63 / 0.56				VT (N / <1) 0.65 / 0.58			CR 44	
1122	142.294 SH / Opt 1 (No Refo, No Foam): clr / air / clr (DS/DS) 3/4" IG											
	0.118	0.500	0.118					AIR		CL	TS-D	N,G,S
	U-Factor 0.46			SHGC (N / <1) 0.61 / 0.55				VT (N / <1) 0.65 / 0.58			CR 43	

**NFRC 100/200/500 Summary Sheet
Windgate/Belmont/Stormgate Single Hung**

ID	Pane Thickness 1	Gap Width 1	Pane Thickness 2	Gap Width 2	Pane Thickness 3	Gap Width 3	Pane Thickness 4	Gap Width 4	Gap Fill	Low-e (Surface#)	Tint	Spacer	Grid Type
	U-Factor			Solar Heat Gain Coefficient (SHGC) Grids (None / <1 / >=1)					Visible Transmittance (VT) Grids (None / <1 / >=1)			Condensation Resistance	
1123	142.294 SH / Opt 1 (No Refo, No Foam): clr / air / clr (5mm/DS) 3/4" IG												
	0.185	0.438	0.118						AIR		CL	TS-D	N,G,S
	U-Factor 0.47			SHGC (N / <1) 0.59 / 0.53					VT (N / <1) 0.64 / 0.57			CR	43
1124	142.294 SH / Opt 1 (No Refo, No Foam): clr / air / clr (5mm/DS) 3/4" IG												
	0.185	0.438	0.118						AIR		CL	TS-D	G
	U-Factor 0.47			SHGC (<1) 0.53					VT (<1) 0.57			CR	43
1125	142.294 SH / Opt 1 (No Refo, No Foam): lami / air / clr (DS 090 DS/DS) 3/4" IG												
	0.264	0.345	0.118						AIR		CL	TS-D	N,S
	U-Factor 0.48			SHGC (N / <1) 0.56 / 0.51					VT (N / <1) 0.63 / 0.57			CR	42
	142.294 SH / Opt 1 (No Refo, No Foam): clr / air / lami (DS/DS 090 DS) 3/4" IG												
	0.118	0.345	0.264						AIR		CL	TS-D	N,S
	U-Factor 0.48			SHGC (N / <1) 0.59 / 0.53					VT (N / <1) 0.63 / 0.57			CR	42
1126	142.294 SH / Opt 1 (No Refo, No Foam): lami / air / clr (DS 090 DS/DS) 3/4" IG												
	0.264	0.345	0.118						AIR		CL	TS-D	G,S
	U-Factor 0.49			SHGC (<1) 0.51					VT (<1) 0.57			CR	42
	142.294 SH / Opt 1 (No Refo, No Foam): clr / air / lami (DS/DS 090 DS) 3/4" IG												
	0.118	0.345	0.264						AIR		CL	TS-D	G,S
	U-Factor 0.49			SHGC (<1) 0.53					VT (<1) 0.57			CR	42
1127	142.294 SH / Opt 1 (No Refo, No Foam): clr / air / clr / air / clr (SS/SS/SS) 3/4" IG (P1-S)												
	0.087	0.250	0.087	0.250	0.087				AIR		CL	TS-D	N,S
	U-Factor 0.39			SHGC (N / <1) 0.57 / 0.51					VT (N / <1) 0.60 / 0.54			CR	52
1128	142.294 SH / Opt 1 (No Refo, No Foam): clr / air / clr / air / clr (SS/SS/SS) 3/4" IG (P1-S)												
	0.087	0.250	0.087	0.250	0.087				AIR		CL	TS-D	G,S
	U-Factor 0.39			SHGC (<1) 0.51					VT (<1) 0.54			CR	52
1129	142.294 SH / Opt 1 (No Refo, No Foam): 70/36 / air / clr (SS/SS) 3/4" IG												
	0.090	0.563	0.090						AIR	0.036(#2)	CL	TS-D	N,G,S
	U-Factor 0.33			SHGC (N / <1) 0.31 / 0.28					VT (N / <1) 0.55 / 0.49			CR	55
	142.294 SH / Opt 1 (No Refo, No Foam): clr / air / 70/36 (SS/SS) 3/4" IG												
	0.090	0.563	0.090						AIR	0.036(#3)	CL	TS-D	N,G,S
	U-Factor 0.33			SHGC (N / <1) 0.39 / 0.35					VT (N / <1) 0.55 / 0.49			CR	55

**NFRC 100/200/500 Summary Sheet
Windgate/Belmont/Stormgate Single Hung**

ID	Pane Thickness 1	Gap Width 1	Pane Thickness 2	Gap Width 2	Pane Thickness 3	Gap Width 3	Pane Thickness 4	Gap Width 4	Gap Fill	Low-e (Surface#)	Tint	Spacer	Grid Type
	U-Factor			Solar Heat Gain Coefficient (SHGC) Grids (None / <1 / >=1)				Visible Transmittance (VT) Grids (None / <1 / >=1)			Condensation Resistance		
1130	142.294 SH / Opt 1 (No Refo, No Foam): 70/36 / arg / clr (SS/SS) 3/4" IG												
	0.090	0.563	0.090						ARG90	0.036(#2)	CL	TS-D	N,G,S
	U-Factor 0.29			SHGC (N / <1) 0.31 / 0.28				VT (N / <1) 0.55 / 0.49			CR 58		
	142.294 SH / Opt 1 (No Refo, No Foam): clr / arg / 70/36 (SS/SS) 3/4" IG												
	0.090	0.563	0.090						ARG90	0.036(#3)	CL	TS-D	N,G,S
	U-Factor 0.29			SHGC (N / <1) 0.39 / 0.35				VT (N / <1) 0.55 / 0.49			CR 58		
1131	142.294 SH / Opt 1 (No Refo, No Foam): 70/36 / air / clr (DS/DS) 3/4" IG												
	0.117	0.500	0.117						AIR	0.036(#2)	CL	TS-D	N,G,S
	U-Factor 0.32			SHGC (N / <1) 0.31 / 0.28				VT (N / <1) 0.55 / 0.49			CR 54		
	142.294 SH / Opt 1 (No Refo, No Foam): clr / air / 70/36 (DS/DS) 3/4" IG												
	0.117	0.500	0.117						AIR	0.036(#3)	CL	TS-D	N,G,S
	U-Factor 0.32			SHGC (N / <1) 0.38 / 0.34				VT (N / <1) 0.55 / 0.49			CR 54		
1132	142.294 SH / Opt 1 (No Refo, No Foam): 70/36 / arg / clr (DS/DS) 3/4" IG												
	0.117	0.500	0.117						ARG90	0.036(#2)	CL	TS-D	N,G,S
	U-Factor 0.29			SHGC (N / <1) 0.30 / 0.27				VT (N / <1) 0.55 / 0.49			CR 57		
	142.294 SH / Opt 1 (No Refo, No Foam): clr / arg / 70/36 (DS/DS) 3/4" IG												
	0.117	0.500	0.117						ARG90	0.036(#3)	CL	TS-D	N,G,S
	U-Factor 0.29			SHGC (N / <1) 0.38 / 0.35				VT (N / <1) 0.55 / 0.49			CR 57		
1133	142.294 SH / Opt 1 (No Refo, No Foam): lami / arg / 70/36 (DS 090 DS/DS) 3/4" IG												
	0.264	0.345	0.117						ARG90	0.036(#3)	CL	TS-D	N,S
	U-Factor 0.31			SHGC (N / <1) 0.36 / 0.33				VT (N / <1) 0.54 / 0.48			CR 55		
	142.294 SH / Opt 1 (No Refo, No Foam): 70/36 / arg / lami (DS/DS 090 DS) 3/4" IG												
	0.117	0.345	0.264						ARG90	0.036(#2)	CL	TS-D	N,S
	U-Factor 0.31			SHGC (N / <1) 0.30 / 0.27				VT (N / <1) 0.54 / 0.48			CR 55		
1134	142.294 SH / Opt 1 (No Refo, No Foam): lami / arg / 70/36 (DS 090 DS/DS) 3/4" IG												
	0.264	0.345	0.117						ARG90	0.036(#3)	CL	TS-D	G,S
	U-Factor 0.32			SHGC (<1) 0.33				VT (<1) 0.48			CR 55		
	142.294 SH / Opt 1 (No Refo, No Foam): 70/36 / arg / lami (DS/DS 090 DS) 3/4" IG												
	0.117	0.345	0.264						ARG90	0.036(#2)	CL	TS-D	G,S
	U-Factor 0.32			SHGC (<1) 0.27				VT (<1) 0.48			CR 55		

**NFRC 100/200/500 Summary Sheet
Windgate/Belmont/Stormgate Single Hung**

ID	Pane Thickness 1	Gap Width 1	Pane Thickness 2	Gap Width 2	Pane Thickness 3	Gap Width 3	Pane Thickness 4	Gap Fill	Low-e (Surface#)	Tint	Spacer	Grid Type
	U-Factor			Solar Heat Gain Coefficient (SHGC) Grids (None / <1 / >=1)				Visible Transmittance (VT) Grids (None / <1 / >=1)			Condensation Resistance	
1135	142.294 SH / Opt 1 (No Refo, No Foam): 70/36 / arg / clr / arg / 70/36 (SS/SS/SS) 3/4" IG											
	0.090	0.250	0.090	0.250	0.090			ARG90	0.036(#2) / 0.036(#5)	CL	TS-D	N,S
	U-Factor 0.25			SHGC (N / <1) 0.26 / 0.24				VT (N / <1) 0.43 / 0.39			CR 64	
1136	142.294 SH / Opt 1 (No Refo, No Foam): 70/36 / arg / clr / arg / 70/36 (SS/SS/SS) 3/4" IG											
	0.090	0.250	0.090	0.250	0.090			ARG90	0.036(#2) / 0.036(#5)	CL	TS-D	G,S
	U-Factor 0.26			SHGC (<1) 0.24				VT (<1) 0.39			CR 64	
1137	142.294 SH / Opt 1 (No Refo, No Foam): 80/70 / air / clr (SS/SS) 3/4" IG											
	0.090	0.563	0.090					AIR	0.095(#2)	CL	TS-D	N,G,S
	U-Factor 0.34			SHGC (N / <1) 0.53 / 0.48				VT (N / <1) 0.64 / 0.57			CR 54	
	142.294 SH / Opt 1 (No Refo, No Foam): clr / air / 80/70 (SS/SS) 3/4" IG											
	0.090	0.563	0.090					AIR	0.095(#3)	CL	TS-D	N,G,S
	U-Factor 0.34			SHGC (N / <1) 0.56 / 0.50				VT (N / <1) 0.64 / 0.57			CR 54	
1138	142.294 SH / Opt 1 (No Refo, No Foam): 80/70 / arg / clr (SS/SS) 3/4" IG											
	0.090	0.563	0.090					ARG90	0.095(#2)	CL	TS-D	N,G,S
	U-Factor 0.31			SHGC (N / <1) 0.53 / 0.48				VT (N / <1) 0.64 / 0.57			CR 57	
	142.294 SH / Opt 1 (No Refo, No Foam): clr / arg / 80/70 (SS/SS) 3/4" IG											
	0.090	0.563	0.090					ARG90	0.095(#3)	CL	TS-D	N,G,S
	U-Factor 0.31			SHGC (N / <1) 0.56 / 0.50				VT (N / <1) 0.64 / 0.57			CR 57	
1139	142.294 SH / Opt 1 (No Refo, No Foam): 80/70 / air / clr (DS/DS) 3/4" IG											
	0.117	0.500	0.117					AIR	0.095(#2)	CL	TS-D	N,G,S
	U-Factor 0.34			SHGC (N / <1) 0.52 / 0.47				VT (N / <1) 0.63 / 0.57			CR 53	
	142.294 SH / Opt 1 (No Refo, No Foam): clr / air / 80/70 (DS/DS) 3/4" IG											
	0.117	0.500	0.117					AIR	0.095(#3)	CL	TS-D	N,G,S
	U-Factor 0.34			SHGC (N / <1) 0.55 / 0.50				VT (N / <1) 0.63 / 0.57			CR 53	
1140	142.294 SH / Opt 1 (No Refo, No Foam): 80/70 / arg / clr (DS/DS) 3/4" IG											
	0.117	0.500	0.117					ARG90	0.095(#2)	CL	TS-D	N,G,S
	U-Factor 0.31			SHGC (N / <1) 0.52 / 0.47				VT (N / <1) 0.63 / 0.57			CR 56	
	142.294 SH / Opt 1 (No Refo, No Foam): clr / arg / 80/70 (DS/DS) 3/4" IG											
	0.117	0.500	0.117					ARG90	0.095(#3)	CL	TS-D	N,G,S
	U-Factor 0.31			SHGC (N / <1) 0.55 / 0.50				VT (N / <1) 0.63 / 0.57			CR 56	

**NFRC 100/200/500 Summary Sheet
Windgate/Belmont/Stormgate Single Hung**

ID	Pane Thickness 1	Gap Width 1	Pane Thickness 2	Gap Width 2	Pane Thickness 3	Gap Width 3	Pane Thickness 4	Gap Fill	Low-e (Surface#)	Tint	Spacer	Grid Type
	U-Factor			Solar Heat Gain Coefficient (SHGC) Grids (None / <1 / >=1)				Visible Transmittance (VT) Grids (None / <1 / >=1)			Condensation Resistance	
1141	142.294 SH / Opt 1 (No Refo, No Foam): lami / arg / 80/70 (DS 090 DS/DS) 3/4" IG											
	0.264	0.345	0.117					ARG90	0.095(#3)	CL	TS-D	N,S
	U-Factor 0.32			SHGC (N / <1) 0.51 / 0.46				VT (N / <1) 0.62 / 0.56			CR 54	
	142.294 SH / Opt 1 (No Refo, No Foam): 80/70 / arg / lami (DS/DS 090 DS) 3/4" IG											
	0.117	0.345	0.264					ARG90	0.095(#2)	CL	TS-D	N,S
	U-Factor 0.32			SHGC (N / <1) 0.51 / 0.46				VT (N / <1) 0.62 / 0.56			CR 54	
1142	142.294 SH / Opt 1 (No Refo, No Foam): lami / arg / 80/70 (DS 090 DS/DS) 3/4" IG											
	0.264	0.345	0.117					ARG90	0.095(#3)	CL	TS-D	G,S
	U-Factor 0.34			SHGC (<1) 0.46				VT (<1) 0.56			CR 54	
	142.294 SH / Opt 1 (No Refo, No Foam): 80/70 / arg / lami (DS/DS 090 DS) 3/4" IG											
	0.117	0.345	0.264					ARG90	0.095(#2)	CL	TS-D	G,S
	U-Factor 0.34			SHGC (<1) 0.46				VT (<1) 0.56			CR 54	
1143	142.294 SH / Opt 1 (No Refo, No Foam): 80/70 / arg / clr / arg / 80/70 (SS/SS/SS) 3/4" IG											
	0.090	0.250	0.090	0.250	0.090			ARG90	0.095(#2) / 0.095(#5)	CL	TS-D	N,S
	U-Factor 0.26			SHGC (N / <1) 0.47 / 0.42				VT (N / <1) 0.58 / 0.51			CR 63	
1144	142.294 SH / Opt 1 (No Refo, No Foam): 80/70 / arg / clr / arg / 80/70 (SS/SS/SS) 3/4" IG											
	0.090	0.250	0.090	0.250	0.090			ARG90	0.095(#2) / 0.095(#5)	CL	TS-D	G,S
	U-Factor 0.27			SHGC (<1) 0.42				VT (<1) 0.51			CR 63	
1145	142.294 SH / Opt 2 (INN Refo LR/KR/BR, No Foam): clr / air / clr (SS/SS) 3/4" IG											
	0.087	0.563	0.087					AIR		CL	P1-S	N,G,S
	U-Factor 0.45			SHGC (N / <1) 0.63 / 0.56				VT (N / <1) 0.65 / 0.58			CR 46	
1146	142.294 SH / Opt 2 (INN Refo LR/KR/BR, No Foam): clr / air / clr (DS/DS) 3/4" IG											
	0.118	0.500	0.118					AIR		CL	P1-S	N,G,S
	U-Factor 0.45			SHGC (N / <1) 0.61 / 0.55				VT (N / <1) 0.65 / 0.58			CR 45	
1147	142.294 SH / Opt 2 (INN Refo LR/KR/BR, No Foam): clr / air / clr (5mm/DS) 3/4" IG											
	0.185	0.438	0.118					AIR		CL	P1-S	N,G,S
	U-Factor 0.46			SHGC (N / <1) 0.59 / 0.53				VT (N / <1) 0.64 / 0.57			CR 45	
1148	142.294 SH / Opt 2 (INN Refo LR/KR/BR, No Foam): clr / air / clr (5mm/DS) 3/4" IG											
	0.185	0.438	0.118					AIR		CL	P1-S	G
	U-Factor 0.46			SHGC (<1) 0.53				VT (<1) 0.57			CR 45	

**NFRC 100/200/500 Summary Sheet
Windgate/Belmont/Stormgate Single Hung**

ID	Pane Thickness 1	Gap Width 1	Pane Thickness 2	Gap Width 2	Pane Thickness 3	Gap Width 3	Pane Thickness 4	Gap Fill	Low-e (Surface#)	Tint	Spacer	Grid Type
	U-Factor			Solar Heat Gain Coefficient (SHGC) Grids (None / <1 / >=1)				Visible Transmittance (VT) Grids (None / <1 / >=1)			Condensation Resistance	
1149	142.294 SH / Opt 2 (INN Refo LR/KR/BR, No Foam): lami / air / clr (DS 090 DS/DS) 3/4" IG											
	0.264	0.345	0.118					AIR		CL	P1-S	N,S
	U-Factor 0.47			SHGC (N / <1) 0.56 / 0.51				VT (N / <1) 0.63 / 0.57			CR 44	
	142.294 SH / Opt 2 (INN Refo LR/KR/BR, No Foam): clr / air / lami (DS/DS 090 DS) 3/4" IG											
	0.118	0.345	0.264					AIR		CL	P1-S	N,S
	U-Factor 0.47			SHGC (N / <1) 0.59 / 0.53				VT (N / <1) 0.63 / 0.57			CR 44	
1150	142.294 SH / Opt 2 (INN Refo LR/KR/BR, No Foam): lami / air / clr (DS 090 DS/DS) 3/4" IG											
	0.264	0.345	0.118					AIR		CL	P1-S	G,S
	U-Factor 0.48			SHGC (<1) 0.51				VT (<1) 0.57			CR 44	
	142.294 SH / Opt 2 (INN Refo LR/KR/BR, No Foam): clr / air / lami (DS/DS 090 DS) 3/4" IG											
	0.118	0.345	0.264					AIR		CL	P1-S	G,S
	U-Factor 0.48			SHGC (<1) 0.53				VT (<1) 0.57			CR 44	
1151	142.294 SH / Opt 2 (INN Refo LR/KR/BR, No Foam): clr / air / clr / air / clr (SS/SS/SS) 3/4" IG (P1-S)											
	0.087	0.250	0.087	0.250	0.087			AIR		CL	P1-S	N,S
	U-Factor 0.38			SHGC (N / <1) 0.57 / 0.51				VT (N / <1) 0.60 / 0.54			CR 54	
1152	142.294 SH / Opt 2 (INN Refo LR/KR/BR, No Foam): clr / air / clr / air / clr (SS/SS/SS) 3/4" IG (P1-S)											
	0.087	0.250	0.087	0.250	0.087			AIR		CL	P1-S	G,S
	U-Factor 0.39			SHGC (<1) 0.51				VT (<1) 0.54			CR 54	
1153	142.294 SH / Opt 2 (INN Refo LR/KR/BR, No Foam): E270 / air / clr (SS/SS) 3/4" IG											
	0.087	0.563	0.087					AIR	0.037(#2)	CL	P1-S	N,G,S
	U-Factor 0.31			SHGC (N / <1) 0.30 / 0.27				VT (N / <1) 0.55 / 0.49			CR 58	
	142.294 SH / Opt 2 (INN Refo LR/KR/BR, No Foam): clr / air / E270 (SS/SS) 3/4" IG											
	0.087	0.563	0.087					AIR	0.037(#3)	CL	P1-S	N,G,S
	U-Factor 0.31			SHGC (N / <1) 0.37 / 0.33				VT (N / <1) 0.55 / 0.49			CR 58	
1154	142.294 SH / Opt 2 (INN Refo LR/KR/BR, No Foam): E270 / arg / clr (SS/SS) 3/4" IG											
	0.087	0.563	0.087					ARG90	0.037(#2)	CL	P1-S	N,G,S
	U-Factor 0.28			SHGC (N / <1) 0.29 / 0.26				VT (N / <1) 0.55 / 0.49			CR 63	
	142.294 SH / Opt 2 (INN Refo LR/KR/BR, No Foam): clr / arg / E270 (SS/SS) 3/4" IG											
	0.087	0.563	0.087					ARG90	0.037(#3)	CL	P1-S	N,G,S
	U-Factor 0.28			SHGC (N / <1) 0.37 / 0.33				VT (N / <1) 0.55 / 0.49			CR 63	

**NFRC 100/200/500 Summary Sheet
Windgate/Belmont/Stormgate Single Hung**

ID	Pane Thickness 1	Gap Width 1	Pane Thickness 2	Gap Width 2	Pane Thickness 3	Gap Width 3	Pane Thickness 4	Gap Width 4	Gap Fill	Low-e (Surface#)	Tint	Spacer	Grid Type
	U-Factor			Solar Heat Gain Coefficient (SHGC) Grids (None / <1 / >=1)				Visible Transmittance (VT) Grids (None / <1 / >=1)			Condensation Resistance		
1155	142.294 SH / Opt 2 (INN Refo LR/KR/BR, No Foam): E270 / air / clr (DS/DS) 3/4" IG												
	0.118	0.500	0.118						AIR	0.037(#2)	CL	P1-S	N,G,S
	U-Factor 0.31			SHGC (N / <1) 0.30 / 0.27				VT (N / <1) 0.55 / 0.49			CR 58		
	142.294 SH / Opt 2 (INN Refo LR/KR/BR, No Foam): clr / air / E270 (DS/DS) 3/4" IG												
	0.118	0.500	0.118						AIR	0.037(#3)	CL	P1-S	N,G,S
	U-Factor 0.31			SHGC (N / <1) 0.36 / 0.33				VT (N / <1) 0.55 / 0.49			CR 58		
1156	142.294 SH / Opt 2 (INN Refo LR/KR/BR, No Foam): E270 / arg / clr (DS/DS) 3/4" IG												
	0.118	0.500	0.118						ARG90	0.037(#2)	CL	P1-S	N,G,S
	U-Factor 0.27			SHGC (N / <1) 0.29 / 0.26				VT (N / <1) 0.55 / 0.49			CR 62		
	142.294 SH / Opt 2 (INN Refo LR/KR/BR, No Foam): clr / arg / E270 (DS/DS) 3/4" IG												
	0.118	0.500	0.118						ARG90	0.037(#3)	CL	P1-S	N,G,S
	U-Factor 0.27			SHGC (N / <1) 0.36 / 0.33				VT (N / <1) 0.55 / 0.49			CR 62		
1157	142.294 SH / Opt 2 (INN Refo LR/KR/BR, No Foam): lami / arg / E270 (DS 090 DS/DS) 3/4" IG												
	0.264	0.345	0.118						ARG90	0.037(#3)	CL	P1-S	N,S
	U-Factor 0.30			SHGC (N / <1) 0.35 / 0.31				VT (N / <1) 0.54 / 0.48			CR 60		
	142.294 SH / Opt 2 (INN Refo LR/KR/BR, No Foam): E270 / arg / lami (DS/DS 090 DS) 3/4" IG												
	0.118	0.345	0.264						ARG90	0.037(#2)	CL	P1-S	N,S
	U-Factor 0.30			SHGC (N / <1) 0.29 / 0.26				VT (N / <1) 0.54 / 0.48			CR 60		
1158	142.294 SH / Opt 2 (INN Refo LR/KR/BR, No Foam): lami / arg / E270 (DS 090 DS/DS) 3/4" IG												
	0.264	0.345	0.118						ARG90	0.037(#3)	CL	P1-S	G,S
	U-Factor 0.31			SHGC (<1) 0.31				VT (<1) 0.48			CR 59		
	142.294 SH / Opt 2 (INN Refo LR/KR/BR, No Foam): E270 / arg / lami (DS/DS 090 DS) 3/4" IG												
	0.118	0.345	0.264						ARG90	0.037(#2)	CL	P1-S	G,S
	U-Factor 0.31			SHGC (<1) 0.26				VT (<1) 0.48			CR 59		
1159	142.294 SH / Opt 2 (INN Refo LR/KR/BR, No Foam): E270 / arg / clr / arg / E270 (SS/SS/SS) 3/4" IG (P1-S)												
	0.087	0.250	0.087	0.250	0.087				ARG90	0.037(#2) / 0.037(#5)	CL	P1-S	N,S
	U-Factor 0.24			SHGC (N / <1) 0.25 / 0.23				VT (N / <1) 0.43 / 0.39			CR 69		
1160	142.294 SH / Opt 2 (INN Refo LR/KR/BR, No Foam): E270 / arg / clr / arg / E270 (SS/SS/SS) 3/4" IG (P1-S)												
	0.087	0.250	0.087	0.250	0.087				ARG90	0.037(#2) / 0.037(#5)	CL	P1-S	G,S
	U-Factor 0.25			SHGC (<1) 0.23				VT (<1) 0.39			CR 69		

**NFRC 100/200/500 Summary Sheet
 Windgate/Belmont/Stormgate Single Hung**

ID	Pane Thickness 1	Gap Width 1	Pane Thickness 2	Gap Width 2	Pane Thickness 3	Gap Width 3	Pane Thickness 4	Gap Width 4	Gap Fill	Low-e (Surface#)	Tint	Spacer	Grid Type
	U-Factor			Solar Heat Gain Coefficient (SHGC) Grids (None / <1 / >=1)					Visible Transmittance (VT) Grids (None / <1 / >=1)			Condensation Resistance	
1161	142.294 SH / Opt 2 (INN Refo LR/KR/BR, No Foam): E366 / air / clr (SS/SS) 3/4" IG												
	0.087	0.563	0.087						AIR	0.022(#2)	CL	P1-S	N,G,S
	U-Factor 0.31			SHGC (N / <1) 0.22 / 0.20					VT (N / <1) 0.51 / 0.46			CR	59
	142.294 SH / Opt 2 (INN Refo LR/KR/BR, No Foam): clr / air / E366 (SS/SS) 3/4" IG												
	0.087	0.563	0.087						AIR	0.022(#3)	CL	P1-S	N,G,S
	U-Factor 0.31			SHGC (N / <1) 0.31 / 0.28					VT (N / <1) 0.51 / 0.46			CR	59
1162	142.294 SH / Opt 2 (INN Refo LR/KR/BR, No Foam): E366 / arg / clr (SS/SS) 3/4" IG												
	0.087	0.563	0.087						ARG90	0.022(#2)	CL	P1-S	N,G,S
	U-Factor 0.27			SHGC (N / <1) 0.22 / 0.20					VT (N / <1) 0.51 / 0.46			CR	63
	142.294 SH / Opt 2 (INN Refo LR/KR/BR, No Foam): clr / arg / E366 (SS/SS) 3/4" IG												
	0.087	0.563	0.087						ARG90	0.022(#3)	CL	P1-S	N,G,S
	U-Factor 0.27			SHGC (N / <1) 0.31 / 0.28					VT (N / <1) 0.51 / 0.46			CR	63
1163	142.294 SH / Opt 2 (INN Refo LR/KR/BR, No Foam): E366 / air / clr (DS/DS) 3/4" IG												
	0.117	0.500	0.118						AIR	0.022(#2)	CL	P1-S	N,G,S
	U-Factor 0.31			SHGC (N / <1) 0.22 / 0.20					VT (N / <1) 0.51 / 0.45			CR	58
	142.294 SH / Opt 2 (INN Refo LR/KR/BR, No Foam): clr / air / E366 (DS/DS) 3/4" IG												
	0.118	0.500	0.117						AIR	0.022(#3)	CL	P1-S	N,G,S
	U-Factor 0.31			SHGC (N / <1) 0.30 / 0.28					VT (N / <1) 0.51 / 0.45			CR	58
1164	142.294 SH / Opt 2 (INN Refo LR/KR/BR, No Foam): E366 / arg / clr (DS/DS) 3/4" IG												
	0.117	0.500	0.118						ARG90	0.022(#2)	CL	P1-S	N,G,S
	U-Factor 0.27			SHGC (N / <1) 0.22 / 0.20					VT (N / <1) 0.51 / 0.45			CR	62
	142.294 SH / Opt 2 (INN Refo LR/KR/BR, No Foam): clr / arg / E366 (DS/DS) 3/4" IG												
	0.118	0.500	0.117						ARG90	0.022(#3)	CL	P1-S	N,G,S
	U-Factor 0.27			SHGC (N / <1) 0.31 / 0.28					VT (N / <1) 0.51 / 0.45			CR	62
1165	142.294 SH / Opt 2 (INN Refo LR/KR/BR, No Foam): lami / arg / E366 (DS 090 DS/DS) 3/4" IG												
	0.264	0.345	0.117						ARG90	0.022(#3)	CL	P1-S	N,S
	U-Factor 0.29			SHGC (N / <1) 0.29 / 0.27					VT (N / <1) 0.50 / 0.44			CR	60
	142.294 SH / Opt 2 (INN Refo LR/KR/BR, No Foam): E366 / arg / lami (DS/DS 090 DS) 3/4" IG												
	0.117	0.345	0.264						ARG90	0.022(#2)	CL	P1-S	N,S
	U-Factor 0.29			SHGC (N / <1) 0.22 / 0.20					VT (N / <1) 0.50 / 0.44			CR	60

**NFRC 100/200/500 Summary Sheet
Windgate/Belmont/Stormgate Single Hung**

ID	Pane Thickness 1	Gap Width 1	Pane Thickness 2	Gap Width 2	Pane Thickness 3	Gap Width 3	Pane Thickness 4	Gap Width 4	Gap Fill	Low-e (Surface#)	Tint	Spacer	Grid Type
	U-Factor			Solar Heat Gain Coefficient (SHGC) Grids (None / <1 / >=1)				Visible Transmittance (VT) Grids (None / <1 / >=1)			Condensation Resistance		
1166	142.294 SH / Opt 2 (INN Refo LR/KR/BR, No Foam): lami / arg / E366 (DS 090 DS/DS) 3/4" IG												
	0.264	0.345	0.117						ARG90	0.022(#3)	CL	P1-S	G,S
	U-Factor 0.31			SHGC (<1) 0.27				VT (<1) 0.44			CR 60		
	142.294 SH / Opt 2 (INN Refo LR/KR/BR, No Foam): E366 / arg / lami (DS/DS 090 DS) 3/4" IG												
	0.117	0.345	0.264						ARG90	0.022(#2)	CL	P1-S	G,S
	U-Factor 0.31			SHGC (<1) 0.20				VT (<1) 0.44			CR 60		
1167	142.294 SH / Opt 2 (INN Refo LR/KR/BR, No Foam): E366 / arg / clr / arg / E366 (SS/SS/SS) 3/4" IG (P1-S)												
	0.087	0.250	0.087	0.250	0.087				ARG90	0.022(#2) / 0.022(#5)	CL	P1-S	N,S
	U-Factor 0.23			SHGC (N / <1) 0.19 / 0.17				VT (N / <1) 0.37 / 0.33			CR 69		
1168	142.294 SH / Opt 2 (INN Refo LR/KR/BR, No Foam): E366 / arg / clr / arg / E366 (SS/SS/SS) 3/4" IG (P1-S)												
	0.087	0.250	0.087	0.250	0.087				ARG90	0.022(#2) / 0.022(#5)	CL	P1-S	G,S
	U-Factor 0.24			SHGC (<1) 0.17				VT (<1) 0.33			CR 69		
1169	142.294 SH / Opt 2 (INN Refo LR/KR/BR, No Foam): 70/36 / air / clr (SS/SS) 3/4" IG												
	0.090	0.563	0.090						AIR	0.036(#2)	CL	P1-S	N,G,S
	U-Factor 0.31			SHGC (N / <1) 0.31 / 0.28				VT (N / <1) 0.55 / 0.49			CR 58		
	142.294 SH / Opt 2 (INN Refo LR/KR/BR, No Foam): clr / air / 70/36 (SS/SS) 3/4" IG												
	0.090	0.563	0.090						AIR	0.036(#3)	CL	P1-S	N,G,S
	U-Factor 0.31			SHGC (N / <1) 0.39 / 0.35				VT (N / <1) 0.55 / 0.49			CR 58		
1170	142.294 SH / Opt 2 (INN Refo LR/KR/BR, No Foam): 70/36 / arg / clr (SS/SS) 3/4" IG												
	0.090	0.563	0.090						ARG90	0.036(#2)	CL	P1-S	N,G,S
	U-Factor 0.28			SHGC (N / <1) 0.31 / 0.28				VT (N / <1) 0.55 / 0.49			CR 63		
	142.294 SH / Opt 2 (INN Refo LR/KR/BR, No Foam): clr / arg / 70/36 (SS/SS) 3/4" IG												
	0.090	0.563	0.090						ARG90	0.036(#3)	CL	P1-S	N,G,S
	U-Factor 0.28			SHGC (N / <1) 0.39 / 0.35				VT (N / <1) 0.55 / 0.49			CR 63		
1171	142.294 SH / Opt 2 (INN Refo LR/KR/BR, No Foam): 70/36 / air / clr (DS/DS) 3/4" IG												
	0.117	0.500	0.117						AIR	0.036(#2)	CL	P1-S	N,G,S
	U-Factor 0.31			SHGC (N / <1) 0.31 / 0.28				VT (N / <1) 0.55 / 0.49			CR 58		
	142.294 SH / Opt 2 (INN Refo LR/KR/BR, No Foam): clr / air / 70/36 (DS/DS) 3/4" IG												
	0.117	0.500	0.117						AIR	0.036(#3)	CL	P1-S	N,G,S
	U-Factor 0.31			SHGC (N / <1) 0.38 / 0.34				VT (N / <1) 0.55 / 0.49			CR 58		

NFRC 100/200/500 Summary Sheet Windgate/Belmont/Stormgate Single Hung

ID	Pane Thickness 1	Gap Width 1	Pane Thickness 2	Gap Width 2	Pane Thickness 3	Gap Width 3	Pane Thickness 4	Gap Fill	Low-e (Surface#)	Tint	Spacer	Grid Type
	U-Factor			Solar Heat Gain Coefficient (SHGC) Grids (None / <1 / >=1)				Visible Transmittance (VT) Grids (None / <1 / >=1)			Condensation Resistance	
1172	142.294 SH / Opt 2 (INN Refo LR/KR/BR, No Foam): 70/36 / arg / clr (DS/DS) 3/4" IG											
	0.117	0.500	0.117					ARG90	0.036(#2)	CL	P1-S	N,G,S
	U-Factor 0.27			SHGC (N / <1) 0.30 / 0.27				VT (N / <1) 0.55 / 0.49			CR	62
	142.294 SH / Opt 2 (INN Refo LR/KR/BR, No Foam): clr / arg / 70/36 (DS/DS) 3/4" IG											
	0.117	0.500	0.117					ARG90	0.036(#3)	CL	P1-S	N,G,S
	U-Factor 0.27			SHGC (N / <1) 0.38 / 0.35				VT (N / <1) 0.55 / 0.49			CR	62
1173	142.294 SH / Opt 2 (INN Refo LR/KR/BR, No Foam): lami / arg / 70/36 (DS 090 DS/DS) 3/4" IG											
	0.264	0.345	0.117					ARG90	0.036(#3)	CL	P1-S	N,S
	U-Factor 0.30			SHGC (N / <1) 0.36 / 0.33				VT (N / <1) 0.54 / 0.48			CR	60
	142.294 SH / Opt 2 (INN Refo LR/KR/BR, No Foam): 70/36 / arg / lami (DS/DS 090 DS) 3/4" IG											
	0.117	0.345	0.264					ARG90	0.036(#2)	CL	P1-S	N,S
	U-Factor 0.30			SHGC (N / <1) 0.30 / 0.27				VT (N / <1) 0.54 / 0.48			CR	60
1174	142.294 SH / Opt 2 (INN Refo LR/KR/BR, No Foam): lami / arg / 70/36 (DS 090 DS/DS) 3/4" IG											
	0.264	0.345	0.117					ARG90	0.036(#3)	CL	P1-S	G,S
	U-Factor 0.31			SHGC (<1) 0.33				VT (<1) 0.48			CR	60
	142.294 SH / Opt 2 (INN Refo LR/KR/BR, No Foam): 70/36 / arg / lami (DS/DS 090 DS) 3/4" IG											
	0.117	0.345	0.264					ARG90	0.036(#2)	CL	P1-S	G,S
	U-Factor 0.31			SHGC (<1) 0.27				VT (<1) 0.48			CR	60
1175	142.294 SH / Opt 2 (INN Refo LR/KR/BR, No Foam): 70/36 / arg / clr / arg / 70/36 (SS/SS/SS) 3/4" IG											
	0.090	0.250	0.090	0.250	0.090			ARG90	0.036(#2) / 0.036(#5)	CL	P1-S	N,S
	U-Factor 0.24			SHGC (N / <1) 0.26 / 0.24				VT (N / <1) 0.43 / 0.39			CR	69
1176	142.294 SH / Opt 2 (INN Refo LR/KR/BR, No Foam): 70/36 / arg / clr / arg / 70/36 (SS/SS/SS) 3/4" IG											
	0.090	0.250	0.090	0.250	0.090			ARG90	0.036(#2) / 0.036(#5)	CL	P1-S	G,S
	U-Factor 0.25			SHGC (<1) 0.24				VT (<1) 0.39			CR	69
1177	142.294 SH / Opt 2 (INN Refo LR/KR/BR, No Foam): 80/70 / air / clr (SS/SS) 3/4" IG											
	0.090	0.563	0.090					AIR	0.095(#2)	CL	P1-S	N,G,S
	U-Factor 0.33			SHGC (N / <1) 0.53 / 0.48				VT (N / <1) 0.64 / 0.57			CR	57
	142.294 SH / Opt 2 (INN Refo LR/KR/BR, No Foam): clr / air / 80/70 (SS/SS) 3/4" IG											
	0.090	0.563	0.090					AIR	0.095(#3)	CL	P1-S	N,G,S
	U-Factor 0.33			SHGC (N / <1) 0.56 / 0.50				VT (N / <1) 0.64 / 0.57			CR	57

NFRC 100/200/500 Summary Sheet Windgate/Belmont/Stormgate Single Hung

ID	Pane Thickness 1	Gap Width 1	Pane Thickness 2	Gap Width 2	Pane Thickness 3	Gap Width 3	Pane Thickness 4	Gap Width 4	Gap Fill	Low-e (Surface#)	Tint	Spacer	Grid Type
	U-Factor			Solar Heat Gain Coefficient (SHGC) Grids (None / <1 / >=1)				Visible Transmittance (VT) Grids (None / <1 / >=1)			Condensation Resistance		
1178	142.294 SH / Opt 2 (INN Refo LR/KR/BR, No Foam): 80/70 / arg / clr (SS/SS) 3/4" IG												
	0.090	0.563	0.090						ARG90	0.095(#2)	CL	P1-S	N,G,S
	U-Factor 0.29			SHGC (N / <1) 0.53 / 0.48				VT (N / <1) 0.64 / 0.57			CR 61		
	142.294 SH / Opt 2 (INN Refo LR/KR/BR, No Foam): clr / arg / 80/70 (SS/SS) 3/4" IG												
	0.090	0.563	0.090						ARG90	0.095(#3)	CL	P1-S	N,G,S
	U-Factor 0.29			SHGC (N / <1) 0.56 / 0.50				VT (N / <1) 0.64 / 0.57			CR 61		
1179	142.294 SH / Opt 2 (INN Refo LR/KR/BR, No Foam): 80/70 / air / clr (DS/DS) 3/4" IG												
	0.117	0.500	0.117						AIR	0.095(#2)	CL	P1-S	N,G,S
	U-Factor 0.33			SHGC (N / <1) 0.52 / 0.47				VT (N / <1) 0.63 / 0.57			CR 56		
	142.294 SH / Opt 2 (INN Refo LR/KR/BR, No Foam): clr / air / 80/70 (DS/DS) 3/4" IG												
	0.117	0.500	0.117						AIR	0.095(#3)	CL	P1-S	N,G,S
	U-Factor 0.33			SHGC (N / <1) 0.55 / 0.50				VT (N / <1) 0.63 / 0.57			CR 56		
1180	142.294 SH / Opt 2 (INN Refo LR/KR/BR, No Foam): 80/70 / arg / clr (DS/DS) 3/4" IG												
	0.117	0.500	0.117						ARG90	0.095(#2)	CL	P1-S	N,G,S
	U-Factor 0.29			SHGC (N / <1) 0.52 / 0.47				VT (N / <1) 0.63 / 0.57			CR 60		
	142.294 SH / Opt 2 (INN Refo LR/KR/BR, No Foam): clr / arg / 80/70 (DS/DS) 3/4" IG												
	0.117	0.500	0.117						ARG90	0.095(#3)	CL	P1-S	N,G,S
	U-Factor 0.29			SHGC (N / <1) 0.55 / 0.50				VT (N / <1) 0.63 / 0.57			CR 60		
1181	142.294 SH / Opt 2 (INN Refo LR/KR/BR, No Foam): lami / arg / 80/70 (DS 090 DS/DS) 3/4" IG												
	0.264	0.345	0.117						ARG90	0.095(#3)	CL	P1-S	N,S
	U-Factor 0.31			SHGC (N / <1) 0.51 / 0.46				VT (N / <1) 0.62 / 0.56			CR 58		
	142.294 SH / Opt 2 (INN Refo LR/KR/BR, No Foam): 80/70 / arg / lami (DS/DS 090 DS) 3/4" IG												
	0.117	0.345	0.264						ARG90	0.095(#2)	CL	P1-S	N,S
	U-Factor 0.31			SHGC (N / <1) 0.51 / 0.46				VT (N / <1) 0.62 / 0.56			CR 58		
1182	142.294 SH / Opt 2 (INN Refo LR/KR/BR, No Foam): lami / arg / 80/70 (DS 090 DS/DS) 3/4" IG												
	0.264	0.345	0.117						ARG90	0.095(#3)	CL	P1-S	G,S
	U-Factor 0.33			SHGC (<1) 0.46				VT (<1) 0.56			CR 58		
	142.294 SH / Opt 2 (INN Refo LR/KR/BR, No Foam): 80/70 / arg / lami (DS/DS 090 DS) 3/4" IG												
	0.117	0.345	0.264						ARG90	0.095(#2)	CL	P1-S	G,S
	U-Factor 0.33			SHGC (<1) 0.46				VT (<1) 0.56			CR 58		

**NFRC 100/200/500 Summary Sheet
Windgate/Belmont/Stormgate Single Hung**

ID	Pane Thickness 1	Gap Width 1	Pane Thickness 2	Gap Width 2	Pane Thickness 3	Gap Width 3	Pane Thickness 4	Gap Width 4	Gap Fill	Low-e (Surface#)	Tint	Spacer	Grid Type
	U-Factor			Solar Heat Gain Coefficient (SHGC) Grids (None / <1 / >=1)				Visible Transmittance (VT) Grids (None / <1 / >=1)			Condensation Resistance		
1183	142.294 SH / Opt 2 (INN Refo LR/KR/BR, No Foam): 80/70 / arg / clr / arg / 80/70 (SS/SS/SS) 3/4" IG												
	0.090	0.250	0.090	0.250	0.090				ARG90	0.095(#2) / 0.095(#5)	CL	P1-S	N,S
	U-Factor 0.25			SHGC (N / <1) 0.47 / 0.42				VT (N / <1) 0.58 / 0.51			CR 68		
1184	142.294 SH / Opt 2 (INN Refo LR/KR/BR, No Foam): 80/70 / arg / clr / arg / 80/70 (SS/SS/SS) 3/4" IG												
	0.090	0.250	0.090	0.250	0.090				ARG90	0.095(#2) / 0.095(#5)	CL	P1-S	G,S
	U-Factor 0.26			SHGC (<1) 0.42				VT (<1) 0.51			CR 68		
1185	142.294 SH / Opt 2 (INN Refo LR/KR/BR, No Foam): clr / air / clr (SS/SS) 3/4" IG												
	0.087	0.563	0.087						AIR		CL	SS-D	N,G,S
	U-Factor 0.46			SHGC (N / <1) 0.63 / 0.56				VT (N / <1) 0.65 / 0.58			CR 45		
1186	142.294 SH / Opt 2 (INN Refo LR/KR/BR, No Foam): clr / air / clr (DS/DS) 3/4" IG												
	0.118	0.500	0.118						AIR		CL	SS-D	N,G,S
	U-Factor 0.46			SHGC (N / <1) 0.61 / 0.55				VT (N / <1) 0.65 / 0.58			CR 44		
1187	142.294 SH / Opt 2 (INN Refo LR/KR/BR, No Foam): clr / air / clr (5mm/DS) 3/4" IG												
	0.185	0.438	0.118						AIR		CL	SS-D	N,G,S
	U-Factor 0.47			SHGC (N / <1) 0.59 / 0.53				VT (N / <1) 0.64 / 0.57			CR 44		
1188	142.294 SH / Opt 2 (INN Refo LR/KR/BR, No Foam): clr / air / clr (5mm/DS) 3/4" IG												
	0.185	0.438	0.118						AIR		CL	SS-D	G
	U-Factor 0.47			SHGC (<1) 0.53				VT (<1) 0.57			CR 44		
1189	142.294 SH / Opt 2 (INN Refo LR/KR/BR, No Foam): lami / air / clr (DS 090 DS/DS) 3/4" IG												
	0.264	0.345	0.118						AIR		CL	SS-D	N,S
	U-Factor 0.48			SHGC (N / <1) 0.56 / 0.51				VT (N / <1) 0.63 / 0.57			CR 43		
	142.294 SH / Opt 2 (INN Refo LR/KR/BR, No Foam): clr / air / lami (DS/DS 090 DS) 3/4" IG												
	0.118	0.345	0.264						AIR		CL	SS-D	N,S
	U-Factor 0.48			SHGC (N / <1) 0.59 / 0.53				VT (N / <1) 0.63 / 0.57			CR 43		
1190	142.294 SH / Opt 2 (INN Refo LR/KR/BR, No Foam): lami / air / clr (DS 090 DS/DS) 3/4" IG												
	0.264	0.345	0.118						AIR		CL	SS-D	G,S
	U-Factor 0.49			SHGC (<1) 0.51				VT (<1) 0.57			CR 43		
	142.294 SH / Opt 2 (INN Refo LR/KR/BR, No Foam): clr / air / lami (DS/DS 090 DS) 3/4" IG												
	0.118	0.345	0.264						AIR		CL	SS-D	G,S
	U-Factor 0.49			SHGC (<1) 0.53				VT (<1) 0.57			CR 43		

**NFRC 100/200/500 Summary Sheet
 Windgate/Belmont/Stormgate Single Hung**

ID	Pane Thickness 1	Gap Width 1	Pane Thickness 2	Gap Width 2	Pane Thickness 3	Gap Width 3	Pane Thickness 4	Gap Fill	Low-e (Surface#)	Tint	Spacer	Grid Type
	U-Factor			Solar Heat Gain Coefficient (SHGC) Grids (None / <1 / >=1)				Visible Transmittance (VT) Grids (None / <1 / >=1)			Condensation Resistance	
1191	142.294 SH / Opt 2 (INN Refo LR/KR/BR, No Foam): clr / air / clr / air / clr (SS/SS/SS) 3/4" IG (P1-S)											
	0.087	0.250	0.087	0.250	0.087			AIR		CL	SS-D	N,S
	U-Factor 0.38			SHGC (N / <1) 0.57 / 0.51				VT (N / <1) 0.60 / 0.54			CR 53	
1192	142.294 SH / Opt 2 (INN Refo LR/KR/BR, No Foam): clr / air / clr / air / clr (SS/SS/SS) 3/4" IG (P1-S)											
	0.087	0.250	0.087	0.250	0.087			AIR		CL	SS-D	G,S
	U-Factor 0.39			SHGC (<1) 0.51				VT (<1) 0.54			CR 53	
1193	142.294 SH / Opt 2 (INN Refo LR/KR/BR, No Foam): E270 / air / clr (SS/SS) 3/4" IG											
	0.087	0.563	0.087					AIR	0.037(#2)	CL	SS-D	N,G,S
	U-Factor 0.32			SHGC (N / <1) 0.30 / 0.27				VT (N / <1) 0.55 / 0.49			CR 56	
	142.294 SH / Opt 2 (INN Refo LR/KR/BR, No Foam): clr / air / E270 (SS/SS) 3/4" IG											
	0.087	0.563	0.087					AIR	0.037(#3)	CL	SS-D	N,G,S
	U-Factor 0.32			SHGC (N / <1) 0.37 / 0.33				VT (N / <1) 0.55 / 0.49			CR 56	
1194	142.294 SH / Opt 2 (INN Refo LR/KR/BR, No Foam): E270 / arg / clr (SS/SS) 3/4" IG											
	0.087	0.563	0.087					ARG90	0.037(#2)	CL	SS-D	N,G,S
	U-Factor 0.29			SHGC (N / <1) 0.29 / 0.26				VT (N / <1) 0.55 / 0.49			CR 59	
	142.294 SH / Opt 2 (INN Refo LR/KR/BR, No Foam): clr / arg / E270 (SS/SS) 3/4" IG											
	0.087	0.563	0.087					ARG90	0.037(#3)	CL	SS-D	N,G,S
	U-Factor 0.29			SHGC (N / <1) 0.37 / 0.33				VT (N / <1) 0.55 / 0.49			CR 59	
1195	142.294 SH / Opt 2 (INN Refo LR/KR/BR, No Foam): E270 / air / clr (DS/DS) 3/4" IG											
	0.118	0.500	0.118					AIR	0.037(#2)	CL	SS-D	N,G,S
	U-Factor 0.32			SHGC (N / <1) 0.30 / 0.27				VT (N / <1) 0.55 / 0.49			CR 55	
	142.294 SH / Opt 2 (INN Refo LR/KR/BR, No Foam): clr / air / E270 (DS/DS) 3/4" IG											
	0.118	0.500	0.118					AIR	0.037(#3)	CL	SS-D	N,G,S
	U-Factor 0.32			SHGC (N / <1) 0.36 / 0.33				VT (N / <1) 0.55 / 0.49			CR 55	
1196	142.294 SH / Opt 2 (INN Refo LR/KR/BR, No Foam): E270 / arg / clr (DS/DS) 3/4" IG											
	0.118	0.500	0.118					ARG90	0.037(#2)	CL	SS-D	N,G,S
	U-Factor 0.28			SHGC (N / <1) 0.29 / 0.26				VT (N / <1) 0.55 / 0.49			CR 59	
	142.294 SH / Opt 2 (INN Refo LR/KR/BR, No Foam): clr / arg / E270 (DS/DS) 3/4" IG											
	0.118	0.500	0.118					ARG90	0.037(#3)	CL	SS-D	N,G,S
	U-Factor 0.28			SHGC (N / <1) 0.36 / 0.33				VT (N / <1) 0.55 / 0.49			CR 59	

NFRC 100/200/500 Summary Sheet Windgate/Belmont/Stormgate Single Hung

ID	Pane Thickness 1	Gap Width 1	Pane Thickness 2	Gap Width 2	Pane Thickness 3	Gap Width 3	Pane Thickness 4	Gap Width 4	Gap Fill	Low-e (Surface#)	Tint	Spacer	Grid Type
	U-Factor			Solar Heat Gain Coefficient (SHGC) Grids (None / <1 / >=1)					Visible Transmittance (VT) Grids (None / <1 / >=1)			Condensation Resistance	
1197	142.294 SH / Opt 2 (INN Refo LR/KR/BR, No Foam): lami / arg / E270 (DS 090 DS/DS) 3/4" IG												
	0.264	0.345	0.118						ARG90	0.037(#3)	CL	SS-D	N,S
	U-Factor 0.31			SHGC (N / <1) 0.35 / 0.31					VT (N / <1) 0.54 / 0.48			CR 57	
	142.294 SH / Opt 2 (INN Refo LR/KR/BR, No Foam): E270 / arg / lami (DS/DS 090 DS) 3/4" IG												
	0.118	0.345	0.264						ARG90	0.037(#2)	CL	SS-D	N,S
	U-Factor 0.31			SHGC (N / <1) 0.29 / 0.26					VT (N / <1) 0.54 / 0.48			CR 57	
1198	142.294 SH / Opt 2 (INN Refo LR/KR/BR, No Foam): lami / arg / E270 (DS 090 DS/DS) 3/4" IG												
	0.264	0.345	0.118						ARG90	0.037(#3)	CL	SS-D	G,S
	U-Factor 0.32			SHGC (<1) 0.31					VT (<1) 0.48			CR 56	
	142.294 SH / Opt 2 (INN Refo LR/KR/BR, No Foam): E270 / arg / lami (DS/DS 090 DS) 3/4" IG												
	0.118	0.345	0.264						ARG90	0.037(#2)	CL	SS-D	G,S
	U-Factor 0.32			SHGC (<1) 0.26					VT (<1) 0.48			CR 56	
1199	142.294 SH / Opt 2 (INN Refo LR/KR/BR, No Foam): E270 / arg / clr / arg / E270 (SS/SS/SS) 3/4" IG (SS-D)												
	0.087	0.266	0.087	0.266	0.087				ARG90	0.037(#2) / 0.037(#5)	CL	SS-D	N,S
	U-Factor 0.24			SHGC (N / <1) 0.25 / 0.23					VT (N / <1) 0.43 / 0.39			CR 67	
1200	142.294 SH / Opt 2 (INN Refo LR/KR/BR, No Foam): E270 / arg / clr / arg / E270 (SS/SS/SS) 3/4" IG (SS-D)												
	0.087	0.266	0.087	0.266	0.087				ARG90	0.037(#2) / 0.037(#5)	CL	SS-D	G,S
	U-Factor 0.25			SHGC (<1) 0.23					VT (<1) 0.39			CR 67	
1201	142.294 SH / Opt 2 (INN Refo LR/KR/BR, No Foam): E366 / air / clr (SS/SS) 3/4" IG												
	0.087	0.563	0.087						AIR	0.022(#2)	CL	SS-D	N,G,S
	U-Factor 0.32			SHGC (N / <1) 0.22 / 0.20					VT (N / <1) 0.51 / 0.46			CR 56	
	142.294 SH / Opt 2 (INN Refo LR/KR/BR, No Foam): clr / air / E366 (SS/SS) 3/4" IG												
	0.087	0.563	0.087						AIR	0.022(#3)	CL	SS-D	N,G,S
	U-Factor 0.32			SHGC (N / <1) 0.31 / 0.28					VT (N / <1) 0.51 / 0.46			CR 56	
1202	142.294 SH / Opt 2 (INN Refo LR/KR/BR, No Foam): E366 / arg / clr (SS/SS) 3/4" IG												
	0.087	0.563	0.087						ARG90	0.022(#2)	CL	SS-D	N,G,S
	U-Factor 0.28			SHGC (N / <1) 0.22 / 0.20					VT (N / <1) 0.51 / 0.46			CR 60	
	142.294 SH / Opt 2 (INN Refo LR/KR/BR, No Foam): clr / arg / E366 (SS/SS) 3/4" IG												
	0.087	0.563	0.087						ARG90	0.022(#3)	CL	SS-D	N,G,S
	U-Factor 0.28			SHGC (N / <1) 0.31 / 0.28					VT (N / <1) 0.51 / 0.46			CR 60	

**NFRC 100/200/500 Summary Sheet
Windgate/Belmont/Stormgate Single Hung**

ID	Pane Thickness 1	Gap Width 1	Pane Thickness 2	Gap Width 2	Pane Thickness 3	Gap Width 3	Pane Thickness 4	Gap Width 4	Gap Fill	Low-e (Surface#)	Tint	Spacer	Grid Type
	U-Factor			Solar Heat Gain Coefficient (SHGC) Grids (None / <1 / >=1)				Visible Transmittance (VT) Grids (None / <1 / >=1)			Condensation Resistance		
1203	142.294 SH / Opt 2 (INN Refo LR/KR/BR, No Foam): E366 / air / clr (DS/DS) 3/4" IG												
	0.117	0.500	0.118						AIR	0.022(#2)	CL	SS-D	N,G,S
	U-Factor 0.32			SHGC (N / <1) 0.22 / 0.20				VT (N / <1) 0.51 / 0.45			CR 55		
	142.294 SH / Opt 2 (INN Refo LR/KR/BR, No Foam): clr / air / E366 (DS/DS) 3/4" IG												
	0.118	0.500	0.117						AIR	0.022(#3)	CL	SS-D	N,G,S
	U-Factor 0.32			SHGC (N / <1) 0.30 / 0.28				VT (N / <1) 0.51 / 0.45			CR 55		
1204	142.294 SH / Opt 2 (INN Refo LR/KR/BR, No Foam): E366 / arg / clr (DS/DS) 3/4" IG												
	0.117	0.500	0.118						ARG90	0.022(#2)	CL	SS-D	N,G,S
	U-Factor 0.28			SHGC (N / <1) 0.22 / 0.20				VT (N / <1) 0.51 / 0.45			CR 59		
	142.294 SH / Opt 2 (INN Refo LR/KR/BR, No Foam): clr / arg / E366 (DS/DS) 3/4" IG												
	0.118	0.500	0.117						ARG90	0.022(#3)	CL	SS-D	N,G,S
	U-Factor 0.28			SHGC (N / <1) 0.31 / 0.28				VT (N / <1) 0.51 / 0.45			CR 59		
1205	142.294 SH / Opt 2 (INN Refo LR/KR/BR, No Foam): lami / arg / E366 (DS 090 DS/DS) 3/4" IG												
	0.264	0.345	0.117						ARG90	0.022(#3)	CL	SS-D	N,S
	U-Factor 0.30			SHGC (N / <1) 0.29 / 0.27				VT (N / <1) 0.50 / 0.44			CR 57		
	142.294 SH / Opt 2 (INN Refo LR/KR/BR, No Foam): E366 / arg / lami (DS/DS 090 DS) 3/4" IG												
	0.117	0.345	0.264						ARG90	0.022(#2)	CL	SS-D	N,S
	U-Factor 0.30			SHGC (N / <1) 0.22 / 0.20				VT (N / <1) 0.50 / 0.44			CR 57		
1206	142.294 SH / Opt 2 (INN Refo LR/KR/BR, No Foam): lami / arg / E366 (DS 090 DS/DS) 3/4" IG												
	0.264	0.345	0.117						ARG90	0.022(#3)	CL	SS-D	G,S
	U-Factor 0.32			SHGC (<1) 0.27				VT (<1) 0.44			CR 57		
	142.294 SH / Opt 2 (INN Refo LR/KR/BR, No Foam): E366 / arg / lami (DS/DS 090 DS) 3/4" IG												
	0.117	0.345	0.264						ARG90	0.022(#2)	CL	SS-D	G,S
	U-Factor 0.32			SHGC (<1) 0.20				VT (<1) 0.44			CR 57		
1207	142.294 SH / Opt 2 (INN Refo LR/KR/BR, No Foam): E366 / arg / clr / arg / E366 (SS/SS/SS) 3/4" IG (SS-D)												
	0.087	0.266	0.087	0.266	0.087				ARG90	0.022(#2) / 0.022(#5)	CL	SS-D	N,S
	U-Factor 0.24			SHGC (N / <1) 0.19 / 0.17				VT (N / <1) 0.37 / 0.33			CR 67		
1208	142.294 SH / Opt 2 (INN Refo LR/KR/BR, No Foam): E366 / arg / clr / arg / E366 (SS/SS/SS) 3/4" IG (SS-D)												
	0.087	0.266	0.087	0.266	0.087				ARG90	0.022(#2) / 0.022(#5)	CL	SS-D	G,S
	U-Factor 0.24			SHGC (<1) 0.17				VT (<1) 0.33			CR 67		

NFRC 100/200/500 Summary Sheet
Windgate/Belmont/Stormgate Single Hung

ID	Pane Thickness 1	Gap Width 1	Pane Thickness 2	Gap Width 2	Pane Thickness 3	Gap Width 3	Pane Thickness 4	Gap Width 4	Gap Fill	Low-e (Surface#)	Tint	Spacer	Grid Type
	U-Factor			Solar Heat Gain Coefficient (SHGC) Grids (None / <1 / >=1)				Visible Transmittance (VT) Grids (None / <1 / >=1)			Condensation Resistance		
1209	142.294 SH / Opt 2 (INN Refo LR/KR/BR, No Foam): clr / air / clr (SS/SS) 3/4" IG												
	0.087	0.563	0.087						AIR		CL	TS-D	N,G,S
	U-Factor 0.46			SHGC (N / <1) 0.63 / 0.56				VT (N / <1) 0.65 / 0.58			CR 44		
1210	142.294 SH / Opt 2 (INN Refo LR/KR/BR, No Foam): clr / air / clr (DS/DS) 3/4" IG												
	0.118	0.500	0.118						AIR		CL	TS-D	N,G,S
	U-Factor 0.46			SHGC (N / <1) 0.61 / 0.55				VT (N / <1) 0.65 / 0.58			CR 43		
1211	142.294 SH / Opt 2 (INN Refo LR/KR/BR, No Foam): clr / air / clr (5mm/DS) 3/4" IG												
	0.185	0.438	0.118						AIR		CL	TS-D	N,G,S
	U-Factor 0.47			SHGC (N / <1) 0.59 / 0.53				VT (N / <1) 0.64 / 0.57			CR 43		
1212	142.294 SH / Opt 2 (INN Refo LR/KR/BR, No Foam): clr / air / clr (5mm/DS) 3/4" IG												
	0.185	0.438	0.118						AIR		CL	TS-D	G
	U-Factor 0.47			SHGC (<1) 0.53				VT (<1) 0.57			CR 43		
1213	142.294 SH / Opt 2 (INN Refo LR/KR/BR, No Foam): lami / air / clr (DS 090 DS/DS) 3/4" IG												
	0.264	0.345	0.118						AIR		CL	TS-D	N,S
	U-Factor 0.48			SHGC (N / <1) 0.56 / 0.51				VT (N / <1) 0.63 / 0.57			CR 42		
	142.294 SH / Opt 2 (INN Refo LR/KR/BR, No Foam): clr / air / lami (DS/DS 090 DS) 3/4" IG												
	0.118	0.345	0.264						AIR		CL	TS-D	N,S
	U-Factor 0.48			SHGC (N / <1) 0.59 / 0.53				VT (N / <1) 0.63 / 0.57			CR 42		
1214	142.294 SH / Opt 2 (INN Refo LR/KR/BR, No Foam): lami / air / clr (DS 090 DS/DS) 3/4" IG												
	0.264	0.345	0.118						AIR		CL	TS-D	G,S
	U-Factor 0.49			SHGC (<1) 0.51				VT (<1) 0.57			CR 42		
	142.294 SH / Opt 2 (INN Refo LR/KR/BR, No Foam): clr / air / lami (DS/DS 090 DS) 3/4" IG												
	0.118	0.345	0.264						AIR		CL	TS-D	G,S
	U-Factor 0.49			SHGC (<1) 0.53				VT (<1) 0.57			CR 42		
1215	142.294 SH / Opt 2 (INN Refo LR/KR/BR, No Foam): clr / air / clr / air / clr (SS/SS/SS) 3/4" IG (P1-S)												
	0.087	0.250	0.087	0.250	0.087				AIR		CL	TS-D	N,S
	U-Factor 0.39			SHGC (N / <1) 0.57 / 0.51				VT (N / <1) 0.60 / 0.54			CR 52		
1216	142.294 SH / Opt 2 (INN Refo LR/KR/BR, No Foam): clr / air / clr / air / clr (SS/SS/SS) 3/4" IG (P1-S)												
	0.087	0.250	0.087	0.250	0.087				AIR		CL	TS-D	G,S
	U-Factor 0.40			SHGC (<1) 0.51				VT (<1) 0.54			CR 52		

**NFRC 100/200/500 Summary Sheet
Windgate/Belmont/Stormgate Single Hung**

ID	Pane Thickness 1	Gap Width 1	Pane Thickness 2	Gap Width 2	Pane Thickness 3	Gap Width 3	Pane Thickness 4	Gap Fill	Low-e (Surface#)	Tint	Spacer	Grid Type
	U-Factor			Solar Heat Gain Coefficient (SHGC) Grids (None / <1 / >=1)				Visible Transmittance (VT) Grids (None / <1 / >=1)			Condensation Resistance	
1217	142.294 SH / Opt 2 (INN Refo LR/KR/BR, No Foam): 70/36 / air / clr (SS/SS) 3/4" IG											
	0.090	0.563	0.090					AIR	0.036(#2)	CL	TS-D	N,G,S
	U-Factor 0.33			SHGC (N / <1) 0.31 / 0.28				VT (N / <1) 0.55 / 0.49			CR 55	
	142.294 SH / Opt 2 (INN Refo LR/KR/BR, No Foam): clr / air / 70/36 (SS/SS) 3/4" IG											
	0.090	0.563	0.090					AIR	0.036(#3)	CL	TS-D	N,G,S
	U-Factor 0.33			SHGC (N / <1) 0.39 / 0.35				VT (N / <1) 0.55 / 0.49			CR 55	
1218	142.294 SH / Opt 2 (INN Refo LR/KR/BR, No Foam): 70/36 / arg / clr (SS/SS) 3/4" IG											
	0.090	0.563	0.090					ARG90	0.036(#2)	CL	TS-D	N,G,S
	U-Factor 0.29			SHGC (N / <1) 0.31 / 0.28				VT (N / <1) 0.55 / 0.49			CR 58	
	142.294 SH / Opt 2 (INN Refo LR/KR/BR, No Foam): clr / arg / 70/36 (SS/SS) 3/4" IG											
	0.090	0.563	0.090					ARG90	0.036(#3)	CL	TS-D	N,G,S
	U-Factor 0.29			SHGC (N / <1) 0.39 / 0.35				VT (N / <1) 0.55 / 0.49			CR 58	
1219	142.294 SH / Opt 2 (INN Refo LR/KR/BR, No Foam): 70/36 / air / clr (DS/DS) 3/4" IG											
	0.117	0.500	0.117					AIR	0.036(#2)	CL	TS-D	N,G,S
	U-Factor 0.32			SHGC (N / <1) 0.31 / 0.28				VT (N / <1) 0.55 / 0.49			CR 54	
	142.294 SH / Opt 2 (INN Refo LR/KR/BR, No Foam): clr / air / 70/36 (DS/DS) 3/4" IG											
	0.117	0.500	0.117					AIR	0.036(#3)	CL	TS-D	N,G,S
	U-Factor 0.32			SHGC (N / <1) 0.38 / 0.34				VT (N / <1) 0.55 / 0.49			CR 54	
1220	142.294 SH / Opt 2 (INN Refo LR/KR/BR, No Foam): 70/36 / arg / clr (DS/DS) 3/4" IG											
	0.117	0.500	0.117					ARG90	0.036(#2)	CL	TS-D	N,G,S
	U-Factor 0.29			SHGC (N / <1) 0.30 / 0.27				VT (N / <1) 0.55 / 0.49			CR 57	
	142.294 SH / Opt 2 (INN Refo LR/KR/BR, No Foam): clr / arg / 70/36 (DS/DS) 3/4" IG											
	0.117	0.500	0.117					ARG90	0.036(#3)	CL	TS-D	N,G,S
	U-Factor 0.29			SHGC (N / <1) 0.38 / 0.35				VT (N / <1) 0.55 / 0.49			CR 57	
1221	142.294 SH / Opt 2 (INN Refo LR/KR/BR, No Foam): lami / arg / 70/36 (DS 090 DS/DS) 3/4" IG											
	0.264	0.345	0.117					ARG90	0.036(#3)	CL	TS-D	N,S
	U-Factor 0.31			SHGC (N / <1) 0.36 / 0.33				VT (N / <1) 0.54 / 0.48			CR 55	
	142.294 SH / Opt 2 (INN Refo LR/KR/BR, No Foam): 70/36 / arg / lami (DS/DS 090 DS) 3/4" IG											
	0.117	0.345	0.264					ARG90	0.036(#2)	CL	TS-D	N,S
	U-Factor 0.31			SHGC (N / <1) 0.30 / 0.27				VT (N / <1) 0.54 / 0.48			CR 55	

NFRC 100/200/500 Summary Sheet Windgate/Belmont/Stormgate Single Hung

ID	Pane Thickness 1	Gap Width 1	Pane Thickness 2	Gap Width 2	Pane Thickness 3	Gap Width 3	Pane Thickness 4	Gap Fill	Low-e (Surface#)	Tint	Spacer	Grid Type
	U-Factor			Solar Heat Gain Coefficient (SHGC) Grids (None / <1 / >=1)				Visible Transmittance (VT) Grids (None / <1 / >=1)			Condensation Resistance	
1222	142.294 SH / Opt 2 (INN Refo LR/KR/BR, No Foam): lami / arg / 70/36 (DS 090 DS/DS) 3/4" IG											
	0.264	0.345	0.117					ARG90	0.036(#3)	CL	TS-D	G,S
	U-Factor 0.32			SHGC (<1) 0.33				VT (<1) 0.48			CR 55	
1223	142.294 SH / Opt 2 (INN Refo LR/KR/BR, No Foam): 70/36 / arg / lami (DS/DS 090 DS) 3/4" IG											
	0.117	0.345	0.264					ARG90	0.036(#2)	CL	TS-D	G,S
	U-Factor 0.32			SHGC (<1) 0.27				VT (<1) 0.48			CR 55	
1224	142.294 SH / Opt 2 (INN Refo LR/KR/BR, No Foam): 70/36 / arg / clr / arg / 70/36 (SS/SS/SS) 3/4" IG											
	0.090	0.250	0.090	0.250	0.090			ARG90	0.036(#2) / 0.036(#5)	CL	TS-D	N,S
	U-Factor 0.25			SHGC (N / <1) 0.26 / 0.24				VT (N / <1) 0.43 / 0.39			CR 64	
1225	142.294 SH / Opt 2 (INN Refo LR/KR/BR, No Foam): 80/70 / air / clr (SS/SS) 3/4" IG											
	0.090	0.563	0.090					AIR	0.095(#2)	CL	TS-D	N,G,S
	U-Factor 0.34			SHGC (N / <1) 0.53 / 0.48				VT (N / <1) 0.64 / 0.57			CR 54	
1226	142.294 SH / Opt 2 (INN Refo LR/KR/BR, No Foam): 80/70 / arg / clr (SS/SS) 3/4" IG											
	0.090	0.563	0.090					ARG90	0.095(#2)	CL	TS-D	N,G,S
	U-Factor 0.31			SHGC (N / <1) 0.53 / 0.48				VT (N / <1) 0.64 / 0.57			CR 57	
1227	142.294 SH / Opt 2 (INN Refo LR/KR/BR, No Foam): 80/70 / air / clr (DS/DS) 3/4" IG											
	0.117	0.500	0.117					AIR	0.095(#2)	CL	TS-D	N,G,S
	U-Factor 0.34			SHGC (N / <1) 0.52 / 0.47				VT (N / <1) 0.63 / 0.57			CR 53	
1228	142.294 SH / Opt 2 (INN Refo LR/KR/BR, No Foam): clr / air / 80/70 (SS/SS) 3/4" IG											
	0.090	0.563	0.090					ARG90	0.095(#3)	CL	TS-D	N,G,S
	U-Factor 0.31			SHGC (N / <1) 0.56 / 0.50				VT (N / <1) 0.64 / 0.57			CR 57	
1229	142.294 SH / Opt 2 (INN Refo LR/KR/BR, No Foam): 80/70 / air / clr (DS/DS) 3/4" IG											
	0.117	0.500	0.117					AIR	0.095(#2)	CL	TS-D	N,G,S
	U-Factor 0.34			SHGC (N / <1) 0.52 / 0.47				VT (N / <1) 0.63 / 0.57			CR 53	
1230	142.294 SH / Opt 2 (INN Refo LR/KR/BR, No Foam): clr / air / 80/70 (DS/DS) 3/4" IG											
	0.117	0.500	0.117					AIR	0.095(#3)	CL	TS-D	N,G,S
	U-Factor 0.34			SHGC (N / <1) 0.55 / 0.50				VT (N / <1) 0.63 / 0.57			CR 53	

**NFRC 100/200/500 Summary Sheet
Windgate/Belmont/Stormgate Single Hung**

ID	Pane Thickness 1	Gap Width 1	Pane Thickness 2	Gap Width 2	Pane Thickness 3	Gap Width 3	Pane Thickness 4	Gap Fill	Low-e (Surface#)	Tint	Spacer	Grid Type
	U-Factor			Solar Heat Gain Coefficient (SHGC) Grids (None / <1 / >=1)				Visible Transmittance (VT) Grids (None / <1 / >=1)			Condensation Resistance	
1228	142.294 SH / Opt 2 (INN Refo LR/KR/BR, No Foam): 80/70 / arg / clr (DS/DS) 3/4" IG											
	0.117	0.500	0.117					ARG90	0.095(#2)	CL	TS-D	N,G,S
	U-Factor 0.31			SHGC (N / <1) 0.52 / 0.47				VT (N / <1) 0.63 / 0.57			CR 56	
	142.294 SH / Opt 2 (INN Refo LR/KR/BR, No Foam): clr / arg / 80/70 (DS/DS) 3/4" IG											
	0.117	0.500	0.117					ARG90	0.095(#3)	CL	TS-D	N,G,S
	U-Factor 0.31			SHGC (N / <1) 0.55 / 0.50				VT (N / <1) 0.63 / 0.57			CR 56	
1229	142.294 SH / Opt 2 (INN Refo LR/KR/BR, No Foam): lami / arg / 80/70 (DS 090 DS/DS) 3/4" IG											
	0.264	0.345	0.117					ARG90	0.095(#3)	CL	TS-D	N,S
	U-Factor 0.32			SHGC (N / <1) 0.51 / 0.46				VT (N / <1) 0.62 / 0.56			CR 54	
	142.294 SH / Opt 2 (INN Refo LR/KR/BR, No Foam): 80/70 / arg / lami (DS/DS 090 DS) 3/4" IG											
	0.117	0.345	0.264					ARG90	0.095(#2)	CL	TS-D	N,S
	U-Factor 0.32			SHGC (N / <1) 0.51 / 0.46				VT (N / <1) 0.62 / 0.56			CR 54	
1230	142.294 SH / Opt 2 (INN Refo LR/KR/BR, No Foam): lami / arg / 80/70 (DS 090 DS/DS) 3/4" IG											
	0.264	0.345	0.117					ARG90	0.095(#3)	CL	TS-D	G,S
	U-Factor 0.34			SHGC (<1) 0.46				VT (<1) 0.56			CR 54	
	142.294 SH / Opt 2 (INN Refo LR/KR/BR, No Foam): 80/70 / arg / lami (DS/DS 090 DS) 3/4" IG											
	0.117	0.345	0.264					ARG90	0.095(#2)	CL	TS-D	G,S
	U-Factor 0.34			SHGC (<1) 0.46				VT (<1) 0.56			CR 54	
1231	142.294 SH / Opt 2 (INN Refo LR/KR/BR, No Foam): 80/70 / arg / clr / arg / 80/70 (SS/SS/SS) 3/4" IG											
	0.090	0.250	0.090	0.250	0.090			ARG90	0.095(#2) / 0.095(#5)	CL	TS-D	N,S
	U-Factor 0.26			SHGC (N / <1) 0.47 / 0.42				VT (N / <1) 0.58 / 0.51			CR 63	
1232	142.294 SH / Opt 2 (INN Refo LR/KR/BR, No Foam): 80/70 / arg / clr / arg / 80/70 (SS/SS/SS) 3/4" IG											
	0.090	0.250	0.090	0.250	0.090			ARG90	0.095(#2) / 0.095(#5)	CL	TS-D	G,S
	U-Factor 0.27			SHGC (<1) 0.42				VT (<1) 0.51			CR 63	
1233	142.294 SH / Opt 3 (INN Refo LR/KR/BR/S, No Foam): clr / air / clr (SS/SS) 3/4" IG											
	0.087	0.563	0.087					AIR		CL	P1-S	N,G,S
	U-Factor 0.45			SHGC (N / <1) 0.63 / 0.56				VT (N / <1) 0.65 / 0.58			CR 46	
1234	142.294 SH / Opt 3 (INN Refo LR/KR/BR/S, No Foam): clr / air / clr (DS/DS) 3/4" IG											
	0.118	0.500	0.118					AIR		CL	P1-S	N,G,S
	U-Factor 0.45			SHGC (N / <1) 0.61 / 0.55				VT (N / <1) 0.65 / 0.58			CR 45	

**NFRC 100/200/500 Summary Sheet
Windgate/Belmont/Stormgate Single Hung**

ID	Pane Thickness 1	Gap Width 1	Pane Thickness 2	Gap Width 2	Pane Thickness 3	Gap Width 3	Pane Thickness 4	Gap Fill	Low-e (Surface#)	Tint	Spacer	Grid Type
	U-Factor			Solar Heat Gain Coefficient (SHGC) Grids (None / <1 / >=1)				Visible Transmittance (VT) Grids (None / <1 / >=1)			Condensation Resistance	
1235	142.294 SH / Opt 3 (INN Refo LR/KR/BR/S, No Foam): clr / air / clr (5mm/DS) 3/4" IG											
	0.185	0.438	0.118					AIR		CL	P1-S	N,G,S
	U-Factor 0.46			SHGC (N / <1) 0.59 / 0.53				VT (N / <1) 0.64 / 0.57			CR 45	
1236	142.294 SH / Opt 3 (INN Refo LR/KR/BR/S, No Foam): clr / air / clr (5mm/DS) 3/4" IG											
	0.185	0.438	0.118					AIR		CL	P1-S	G
	U-Factor 0.46			SHGC (<1) 0.53				VT (<1) 0.57			CR 45	
1237	142.294 SH / Opt 3 (INN Refo LR/KR/BR/S, No Foam): lami / air / clr (DS 090 DS/DS) 3/4" IG											
	0.264	0.345	0.118					AIR		CL	P1-S	N,S
	U-Factor 0.47			SHGC (N / <1) 0.56 / 0.51				VT (N / <1) 0.63 / 0.57			CR 44	
	142.294 SH / Opt 3 (INN Refo LR/KR/BR/S, No Foam): clr / air / lami (DS/DS 090 DS) 3/4" IG											
	0.118	0.345	0.264					AIR		CL	P1-S	N,S
	U-Factor 0.47			SHGC (N / <1) 0.59 / 0.53				VT (N / <1) 0.63 / 0.57			CR 44	
1238	142.294 SH / Opt 3 (INN Refo LR/KR/BR/S, No Foam): lami / air / clr (DS 090 DS/DS) 3/4" IG											
	0.264	0.345	0.118					AIR		CL	P1-S	G,S
	U-Factor 0.48			SHGC (<1) 0.51				VT (<1) 0.57			CR 44	
	142.294 SH / Opt 3 (INN Refo LR/KR/BR/S, No Foam): clr / air / lami (DS/DS 090 DS) 3/4" IG											
	0.118	0.345	0.264					AIR		CL	P1-S	G,S
	U-Factor 0.48			SHGC (<1) 0.53				VT (<1) 0.57			CR 44	
1239	142.294 SH / Opt 3 (INN Refo LR/KR/BR/S, No Foam): clr / air / clr / air / clr (SS/SS/SS) 3/4" IG (P1-S)											
	0.087	0.250	0.087	0.250	0.087			AIR		CL	P1-S	N,S
	U-Factor 0.38			SHGC (N / <1) 0.57 / 0.51				VT (N / <1) 0.60 / 0.54			CR 54	
1240	142.294 SH / Opt 3 (INN Refo LR/KR/BR/S, No Foam): clr / air / clr / air / clr (SS/SS/SS) 3/4" IG (P1-S)											
	0.087	0.250	0.087	0.250	0.087			AIR		CL	P1-S	G,S
	U-Factor 0.39			SHGC (<1) 0.51				VT (<1) 0.54			CR 54	
1241	142.294 SH / Opt 3 (INN Refo LR/KR/BR/S, No Foam): E270 / air / clr (SS/SS) 3/4" IG											
	0.087	0.563	0.087					AIR	0.037(#2)	CL	P1-S	N,G,S
	U-Factor 0.31			SHGC (N / <1) 0.30 / 0.27				VT (N / <1) 0.55 / 0.49			CR 58	
	142.294 SH / Opt 3 (INN Refo LR/KR/BR/S, No Foam): clr / air / E270 (SS/SS) 3/4" IG											
	0.087	0.563	0.087					AIR	0.037(#3)	CL	P1-S	N,G,S
	U-Factor 0.31			SHGC (N / <1) 0.37 / 0.33				VT (N / <1) 0.55 / 0.49			CR 58	

**NFRC 100/200/500 Summary Sheet
Windgate/Belmont/Stormgate Single Hung**

ID	Pane Thickness 1	Gap Width 1	Pane Thickness 2	Gap Width 2	Pane Thickness 3	Gap Width 3	Pane Thickness 4	Gap Fill	Low-e (Surface#)	Tint	Spacer	Grid Type
	U-Factor			Solar Heat Gain Coefficient (SHGC) Grids (None / <1 / >=1)				Visible Transmittance (VT) Grids (None / <1 / >=1)			Condensation Resistance	
1242	142.294 SH / Opt 3 (INN Refo LR/KR/BR/S, No Foam): E270 / arg / clr (SS/SS) 3/4" IG											
	0.087	0.563	0.087					ARG90	0.037(#2)	CL	P1-S	N,G,S
	U-Factor 0.28			SHGC (N / <1) 0.29 / 0.26				VT (N / <1) 0.55 / 0.49			CR 63	
	142.294 SH / Opt 3 (INN Refo LR/KR/BR/S, No Foam): clr / arg / E270 (SS/SS) 3/4" IG											
	0.087	0.563	0.087					ARG90	0.037(#3)	CL	P1-S	N,G,S
	U-Factor 0.28			SHGC (N / <1) 0.37 / 0.33				VT (N / <1) 0.55 / 0.49			CR 63	
1243	142.294 SH / Opt 3 (INN Refo LR/KR/BR/S, No Foam): E270 / air / clr (DS/DS) 3/4" IG											
	0.118	0.500	0.118					AIR	0.037(#2)	CL	P1-S	N,G,S
	U-Factor 0.31			SHGC (N / <1) 0.30 / 0.27				VT (N / <1) 0.55 / 0.49			CR 58	
	142.294 SH / Opt 3 (INN Refo LR/KR/BR/S, No Foam): clr / air / E270 (DS/DS) 3/4" IG											
	0.118	0.500	0.118					AIR	0.037(#3)	CL	P1-S	N,G,S
	U-Factor 0.31			SHGC (N / <1) 0.36 / 0.33				VT (N / <1) 0.55 / 0.49			CR 58	
1244	142.294 SH / Opt 3 (INN Refo LR/KR/BR/S, No Foam): E270 / arg / clr (DS/DS) 3/4" IG											
	0.118	0.500	0.118					ARG90	0.037(#2)	CL	P1-S	N,G,S
	U-Factor 0.27			SHGC (N / <1) 0.29 / 0.26				VT (N / <1) 0.55 / 0.49			CR 62	
	142.294 SH / Opt 3 (INN Refo LR/KR/BR/S, No Foam): clr / arg / E270 (DS/DS) 3/4" IG											
	0.118	0.500	0.118					ARG90	0.037(#3)	CL	P1-S	N,G,S
	U-Factor 0.27			SHGC (N / <1) 0.36 / 0.33				VT (N / <1) 0.55 / 0.49			CR 62	
1245	142.294 SH / Opt 3 (INN Refo LR/KR/BR/S, No Foam): lami / arg / E270 (DS 090 DS/DS) 3/4" IG											
	0.264	0.345	0.118					ARG90	0.037(#3)	CL	P1-S	N,S
	U-Factor 0.30			SHGC (N / <1) 0.35 / 0.31				VT (N / <1) 0.54 / 0.48			CR 60	
	142.294 SH / Opt 3 (INN Refo LR/KR/BR/S, No Foam): E270 / arg / lami (DS/DS 090 DS) 3/4" IG											
	0.118	0.345	0.264					ARG90	0.037(#2)	CL	P1-S	N,S
	U-Factor 0.30			SHGC (N / <1) 0.29 / 0.26				VT (N / <1) 0.54 / 0.48			CR 60	
1246	142.294 SH / Opt 3 (INN Refo LR/KR/BR/S, No Foam): lami / arg / E270 (DS 090 DS/DS) 3/4" IG											
	0.264	0.345	0.118					ARG90	0.037(#3)	CL	P1-S	G,S
	U-Factor 0.31			SHGC (<1) 0.31				VT (<1) 0.48			CR 59	
	142.294 SH / Opt 3 (INN Refo LR/KR/BR/S, No Foam): E270 / arg / lami (DS/DS 090 DS) 3/4" IG											
	0.118	0.345	0.264					ARG90	0.037(#2)	CL	P1-S	G,S
	U-Factor 0.31			SHGC (<1) 0.26				VT (<1) 0.48			CR 59	

NFRC 100/200/500 Summary Sheet Windgate/Belmont/Stormgate Single Hung

ID	Pane Thickness 1	Gap Width 1	Pane Thickness 2	Gap Width 2	Pane Thickness 3	Gap Width 3	Pane Thickness 4	Gap Fill	Low-e (Surface#)	Tint	Spacer	Grid Type
	U-Factor			Solar Heat Gain Coefficient (SHGC) Grids (None / <1 / >=1)				Visible Transmittance (VT) Grids (None / <1 / >=1)			Condensation Resistance	
1247	142.294 SH / Opt 3 (INN Refo LR/KR/BR/S, No Foam): E270 / arg / clr / arg / E270 (SS/SS/SS) 3/4" IG (P1-S)											
	0.087	0.250	0.087	0.250	0.087			ARG90	0.037(#2) / 0.037(#5)	CL	P1-S	N,S
	U-Factor 0.24			SHGC (N / <1) 0.25 / 0.23				VT (N / <1) 0.43 / 0.39			CR 69	
1248	142.294 SH / Opt 3 (INN Refo LR/KR/BR/S, No Foam): E270 / arg / clr / arg / E270 (SS/SS/SS) 3/4" IG (P1-S)											
	0.087	0.250	0.087	0.250	0.087			ARG90	0.037(#2) / 0.037(#5)	CL	P1-S	G,S
	U-Factor 0.25			SHGC (<1) 0.23				VT (<1) 0.39			CR 69	
1249	142.294 SH / Opt 3 (INN Refo LR/KR/BR/S, No Foam): E366 / air / clr (SS/SS) 3/4" IG											
	0.087	0.563	0.087					AIR	0.022(#2)	CL	P1-S	N,G,S
	U-Factor 0.31			SHGC (N / <1) 0.22 / 0.20				VT (N / <1) 0.51 / 0.46			CR 59	
	142.294 SH / Opt 3 (INN Refo LR/KR/BR/S, No Foam): clr / air / E366 (SS/SS) 3/4" IG											
	0.087	0.563	0.087					AIR	0.022(#3)	CL	P1-S	N,G,S
	U-Factor 0.31			SHGC (N / <1) 0.31 / 0.28				VT (N / <1) 0.51 / 0.46			CR 59	
1250	142.294 SH / Opt 3 (INN Refo LR/KR/BR/S, No Foam): E366 / arg / clr (SS/SS) 3/4" IG											
	0.087	0.563	0.087					ARG90	0.022(#2)	CL	P1-S	N,G,S
	U-Factor 0.27			SHGC (N / <1) 0.22 / 0.20				VT (N / <1) 0.51 / 0.46			CR 63	
	142.294 SH / Opt 3 (INN Refo LR/KR/BR/S, No Foam): clr / arg / E366 (SS/SS) 3/4" IG											
	0.087	0.563	0.087					ARG90	0.022(#3)	CL	P1-S	N,G,S
	U-Factor 0.27			SHGC (N / <1) 0.31 / 0.28				VT (N / <1) 0.51 / 0.46			CR 63	
1251	142.294 SH / Opt 3 (INN Refo LR/KR/BR/S, No Foam): E366 / air / clr (DS/DS) 3/4" IG											
	0.117	0.500	0.118					AIR	0.022(#2)	CL	P1-S	N,G,S
	U-Factor 0.31			SHGC (N / <1) 0.22 / 0.20				VT (N / <1) 0.51 / 0.45			CR 58	
	142.294 SH / Opt 3 (INN Refo LR/KR/BR/S, No Foam): clr / air / E366 (DS/DS) 3/4" IG											
	0.118	0.500	0.117					AIR	0.022(#3)	CL	P1-S	N,G,S
	U-Factor 0.31			SHGC (N / <1) 0.30 / 0.28				VT (N / <1) 0.51 / 0.45			CR 58	
1252	142.294 SH / Opt 3 (INN Refo LR/KR/BR/S, No Foam): E366 / arg / clr (DS/DS) 3/4" IG											
	0.117	0.500	0.118					ARG90	0.022(#2)	CL	P1-S	N,G,S
	U-Factor 0.27			SHGC (N / <1) 0.22 / 0.20				VT (N / <1) 0.51 / 0.45			CR 62	
	142.294 SH / Opt 3 (INN Refo LR/KR/BR/S, No Foam): clr / arg / E366 (DS/DS) 3/4" IG											
	0.118	0.500	0.117					ARG90	0.022(#3)	CL	P1-S	N,G,S
	U-Factor 0.27			SHGC (N / <1) 0.31 / 0.28				VT (N / <1) 0.51 / 0.45			CR 62	

NFRC 100/200/500 Summary Sheet Windgate/Belmont/Stormgate Single Hung

ID	Pane Thickness 1	Gap Width 1	Pane Thickness 2	Gap Width 2	Pane Thickness 3	Gap Width 3	Pane Thickness 4	Gap Fill	Low-e (Surface#)	Tint	Spacer	Grid Type
	U-Factor			Solar Heat Gain Coefficient (SHGC) Grids (None / <1 / >=1)				Visible Transmittance (VT) Grids (None / <1 / >=1)			Condensation Resistance	
1253	142.294 SH / Opt 3 (INN Refo LR/KR/BR/S, No Foam): lami / arg / E366 (DS 090 DS/DS) 3/4" IG											
	0.264	0.345	0.117					ARG90	0.022(#3)	CL	P1-S	N,S
	U-Factor 0.29			SHGC (N / <1) 0.29 / 0.27				VT (N / <1) 0.50 / 0.44			CR 60	
	142.294 SH / Opt 3 (INN Refo LR/KR/BR/S, No Foam): E366 / arg / lami (DS/DS 090 DS) 3/4" IG											
	0.117	0.345	0.264					ARG90	0.022(#2)	CL	P1-S	N,S
	U-Factor 0.29			SHGC (N / <1) 0.22 / 0.20				VT (N / <1) 0.50 / 0.44			CR 60	
1254	142.294 SH / Opt 3 (INN Refo LR/KR/BR/S, No Foam): lami / arg / E366 (DS 090 DS/DS) 3/4" IG											
	0.264	0.345	0.117					ARG90	0.022(#3)	CL	P1-S	G,S
	U-Factor 0.31			SHGC (<1) 0.27				VT (<1) 0.44			CR 60	
	142.294 SH / Opt 3 (INN Refo LR/KR/BR/S, No Foam): E366 / arg / lami (DS/DS 090 DS) 3/4" IG											
	0.117	0.345	0.264					ARG90	0.022(#2)	CL	P1-S	G,S
	U-Factor 0.31			SHGC (<1) 0.20				VT (<1) 0.44			CR 60	
1255	142.294 SH / Opt 3 (INN Refo LR/KR/BR/S, No Foam): E366 / arg / clr / arg / E366 (SS/SS/SS) 3/4" IG (P1-S)											
	0.087	0.250	0.087	0.250	0.087			ARG90	0.022(#2) / 0.022(#5)	CL	P1-S	N,S
	U-Factor 0.23			SHGC (N / <1) 0.19 / 0.17				VT (N / <1) 0.37 / 0.33			CR 69	
1256	142.294 SH / Opt 3 (INN Refo LR/KR/BR/S, No Foam): E366 / arg / clr / arg / E366 (SS/SS/SS) 3/4" IG (P1-S)											
	0.087	0.250	0.087	0.250	0.087			ARG90	0.022(#2) / 0.022(#5)	CL	P1-S	G,S
	U-Factor 0.24			SHGC (<1) 0.17				VT (<1) 0.33			CR 69	
1257	142.294 SH / Opt 3 (INN Refo LR/KR/BR/S, No Foam): 70/36 / air / clr (SS/SS) 3/4" IG											
	0.090	0.563	0.090					AIR	0.036(#2)	CL	P1-S	N,G,S
	U-Factor 0.31			SHGC (N / <1) 0.31 / 0.28				VT (N / <1) 0.55 / 0.49			CR 58	
	142.294 SH / Opt 3 (INN Refo LR/KR/BR/S, No Foam): clr / air / 70/36 (SS/SS) 3/4" IG											
	0.090	0.563	0.090					AIR	0.036(#3)	CL	P1-S	N,G,S
	U-Factor 0.31			SHGC (N / <1) 0.39 / 0.35				VT (N / <1) 0.55 / 0.49			CR 58	
1258	142.294 SH / Opt 3 (INN Refo LR/KR/BR/S, No Foam): 70/36 / arg / clr (SS/SS) 3/4" IG											
	0.090	0.563	0.090					ARG90	0.036(#2)	CL	P1-S	N,G,S
	U-Factor 0.28			SHGC (N / <1) 0.31 / 0.28				VT (N / <1) 0.55 / 0.49			CR 63	
	142.294 SH / Opt 3 (INN Refo LR/KR/BR/S, No Foam): clr / arg / 70/36 (SS/SS) 3/4" IG											
	0.090	0.563	0.090					ARG90	0.036(#3)	CL	P1-S	N,G,S
	U-Factor 0.28			SHGC (N / <1) 0.39 / 0.35				VT (N / <1) 0.55 / 0.49			CR 63	

**NFRC 100/200/500 Summary Sheet
Windgate/Belmont/Stormgate Single Hung**

ID	Pane Thickness 1	Gap Width 1	Pane Thickness 2	Gap Width 2	Pane Thickness 3	Gap Width 3	Pane Thickness 4	Gap Width 4	Gap Fill	Low-e (Surface#)	Tint	Spacer	Grid Type
	U-Factor			Solar Heat Gain Coefficient (SHGC) Grids (None / <1 / >=1)				Visible Transmittance (VT) Grids (None / <1 / >=1)			Condensation Resistance		
1259	142.294 SH / Opt 3 (INN Refo LR/KR/BR/S, No Foam): 70/36 / air / clr (DS/DS) 3/4" IG												
	0.117	0.500	0.117						AIR	0.036(#2)	CL	P1-S	N,G,S
	U-Factor 0.31			SHGC (N / <1) 0.31 / 0.28				VT (N / <1) 0.55 / 0.49			CR 58		
	142.294 SH / Opt 3 (INN Refo LR/KR/BR/S, No Foam): clr / air / 70/36 (DS/DS) 3/4" IG												
	0.117	0.500	0.117						AIR	0.036(#3)	CL	P1-S	N,G,S
	U-Factor 0.31			SHGC (N / <1) 0.38 / 0.34				VT (N / <1) 0.55 / 0.49			CR 58		
1260	142.294 SH / Opt 3 (INN Refo LR/KR/BR/S, No Foam): 70/36 / arg / clr (DS/DS) 3/4" IG												
	0.117	0.500	0.117						ARG90	0.036(#2)	CL	P1-S	N,G,S
	U-Factor 0.27			SHGC (N / <1) 0.30 / 0.27				VT (N / <1) 0.55 / 0.49			CR 62		
	142.294 SH / Opt 3 (INN Refo LR/KR/BR/S, No Foam): clr / arg / 70/36 (DS/DS) 3/4" IG												
	0.117	0.500	0.117						ARG90	0.036(#3)	CL	P1-S	N,G,S
	U-Factor 0.27			SHGC (N / <1) 0.38 / 0.35				VT (N / <1) 0.55 / 0.49			CR 62		
1261	142.294 SH / Opt 3 (INN Refo LR/KR/BR/S, No Foam): lami / arg / 70/36 (DS 090 DS/DS) 3/4" IG												
	0.264	0.345	0.117						ARG90	0.036(#3)	CL	P1-S	N,S
	U-Factor 0.30			SHGC (N / <1) 0.36 / 0.33				VT (N / <1) 0.54 / 0.48			CR 60		
	142.294 SH / Opt 3 (INN Refo LR/KR/BR/S, No Foam): 70/36 / arg / lami (DS/DS 090 DS) 3/4" IG												
	0.117	0.345	0.264						ARG90	0.036(#2)	CL	P1-S	N,S
	U-Factor 0.30			SHGC (N / <1) 0.30 / 0.27				VT (N / <1) 0.54 / 0.48			CR 60		
1262	142.294 SH / Opt 3 (INN Refo LR/KR/BR/S, No Foam): lami / arg / 70/36 (DS 090 DS/DS) 3/4" IG												
	0.264	0.345	0.117						ARG90	0.036(#3)	CL	P1-S	G,S
	U-Factor 0.31			SHGC (<1) 0.33				VT (<1) 0.48			CR 59		
	142.294 SH / Opt 3 (INN Refo LR/KR/BR/S, No Foam): 70/36 / arg / lami (DS/DS 090 DS) 3/4" IG												
	0.117	0.345	0.264						ARG90	0.036(#2)	CL	P1-S	G,S
	U-Factor 0.31			SHGC (<1) 0.27				VT (<1) 0.48			CR 59		
1263	142.294 SH / Opt 3 (INN Refo LR/KR/BR/S, No Foam): 70/36 / arg / clr / arg / 70/36 (SS/SS/SS) 3/4" IG												
	0.090	0.250	0.090	0.250	0.090				ARG90	0.036(#2) / 0.036(#5)	CL	P1-S	N,S
	U-Factor 0.24			SHGC (N / <1) 0.26 / 0.24				VT (N / <1) 0.43 / 0.39			CR 69		
1264	142.294 SH / Opt 3 (INN Refo LR/KR/BR/S, No Foam): 70/36 / arg / clr / arg / 70/36 (SS/SS/SS) 3/4" IG												
	0.090	0.250	0.090	0.250	0.090				ARG90	0.036(#2) / 0.036(#5)	CL	P1-S	G,S
	U-Factor 0.25			SHGC (<1) 0.24				VT (<1) 0.39			CR 69		

NFRC 100/200/500 Summary Sheet Windgate/Belmont/Stormgate Single Hung

ID	Pane Thickness 1	Gap Width 1	Pane Thickness 2	Gap Width 2	Pane Thickness 3	Gap Width 3	Pane Thickness 4	Gap Fill	Low-e (Surface#)	Tint	Spacer	Grid Type
	U-Factor			Solar Heat Gain Coefficient (SHGC) Grids (None / <1 / >=1)				Visible Transmittance (VT) Grids (None / <1 / >=1)			Condensation Resistance	
1265	142.294 SH / Opt 3 (INN Refo LR/KR/BR/S, No Foam): 80/70 / air / clr (SS/SS) 3/4" IG											
	0.090	0.563	0.090					AIR	0.095(#2)	CL	P1-S	N,G,S
	U-Factor 0.33			SHGC (N / <1) 0.53 / 0.48				VT (N / <1) 0.64 / 0.57			CR 57	
1266	142.294 SH / Opt 3 (INN Refo LR/KR/BR/S, No Foam): clr / air / 80/70 (SS/SS) 3/4" IG											
	0.090	0.563	0.090					AIR	0.095(#3)	CL	P1-S	N,G,S
	U-Factor 0.33			SHGC (N / <1) 0.56 / 0.50				VT (N / <1) 0.64 / 0.57			CR 57	
1266	142.294 SH / Opt 3 (INN Refo LR/KR/BR/S, No Foam): 80/70 / arg / clr (SS/SS) 3/4" IG											
	0.090	0.563	0.090					ARG90	0.095(#2)	CL	P1-S	N,G,S
	U-Factor 0.30			SHGC (N / <1) 0.53 / 0.48				VT (N / <1) 0.64 / 0.57			CR 61	
1266	142.294 SH / Opt 3 (INN Refo LR/KR/BR/S, No Foam): clr / arg / 80/70 (SS/SS) 3/4" IG											
	0.090	0.563	0.090					ARG90	0.095(#3)	CL	P1-S	N,G,S
	U-Factor 0.30			SHGC (N / <1) 0.56 / 0.50				VT (N / <1) 0.64 / 0.57			CR 61	
1267	142.294 SH / Opt 3 (INN Refo LR/KR/BR/S, No Foam): 80/70 / air / clr (DS/DS) 3/4" IG											
	0.117	0.500	0.117					AIR	0.095(#2)	CL	P1-S	N,G,S
	U-Factor 0.33			SHGC (N / <1) 0.52 / 0.47				VT (N / <1) 0.63 / 0.57			CR 56	
1267	142.294 SH / Opt 3 (INN Refo LR/KR/BR/S, No Foam): clr / air / 80/70 (DS/DS) 3/4" IG											
	0.117	0.500	0.117					AIR	0.095(#3)	CL	P1-S	N,G,S
	U-Factor 0.33			SHGC (N / <1) 0.55 / 0.50				VT (N / <1) 0.63 / 0.57			CR 56	
1268	142.294 SH / Opt 3 (INN Refo LR/KR/BR/S, No Foam): 80/70 / arg / clr (DS/DS) 3/4" IG											
	0.117	0.500	0.117					ARG90	0.095(#2)	CL	P1-S	N,G,S
	U-Factor 0.29			SHGC (N / <1) 0.52 / 0.47				VT (N / <1) 0.63 / 0.57			CR 60	
1268	142.294 SH / Opt 3 (INN Refo LR/KR/BR/S, No Foam): clr / arg / 80/70 (DS/DS) 3/4" IG											
	0.117	0.500	0.117					ARG90	0.095(#3)	CL	P1-S	N,G,S
	U-Factor 0.29			SHGC (N / <1) 0.55 / 0.50				VT (N / <1) 0.63 / 0.57			CR 60	
1269	142.294 SH / Opt 3 (INN Refo LR/KR/BR/S, No Foam): lami / arg / 80/70 (DS 090 DS/DS) 3/4" IG											
	0.264	0.345	0.117					ARG90	0.095(#3)	CL	P1-S	N,S
	U-Factor 0.31			SHGC (N / <1) 0.51 / 0.46				VT (N / <1) 0.62 / 0.56			CR 58	
1269	142.294 SH / Opt 3 (INN Refo LR/KR/BR/S, No Foam): 80/70 / arg / lami (DS/DS 090 DS) 3/4" IG											
	0.117	0.345	0.264					ARG90	0.095(#2)	CL	P1-S	N,S
	U-Factor 0.31			SHGC (N / <1) 0.51 / 0.46				VT (N / <1) 0.62 / 0.56			CR 58	

**NFRC 100/200/500 Summary Sheet
Windgate/Belmont/Stormgate Single Hung**

ID	Pane Thickness 1	Gap Width 1	Pane Thickness 2	Gap Width 2	Pane Thickness 3	Gap Width 3	Pane Thickness 4	Gap Fill	Low-e (Surface#)	Tint	Spacer	Grid Type
	U-Factor			Solar Heat Gain Coefficient (SHGC) Grids (None / <1 / >=1)				Visible Transmittance (VT) Grids (None / <1 / >=1)			Condensation Resistance	
1270	142.294 SH / Opt 3 (INN Refo LR/KR/BR/S, No Foam): lami / arg / 80/70 (DS 090 DS/DS) 3/4" IG											
	0.264	0.345	0.117					ARG90	0.095(#3)	CL	P1-S	G,S
	U-Factor 0.33			SHGC (<1) 0.46				VT (<1) 0.56			CR 58	
	142.294 SH / Opt 3 (INN Refo LR/KR/BR/S, No Foam): 80/70 / arg / lami (DS/DS 090 DS) 3/4" IG											
	0.117	0.345	0.264					ARG90	0.095(#2)	CL	P1-S	G,S
	U-Factor 0.33			SHGC (<1) 0.46				VT (<1) 0.56			CR 58	
1271	142.294 SH / Opt 3 (INN Refo LR/KR/BR/S, No Foam): 80/70 / arg / clr / arg / 80/70 (SS/SS/SS) 3/4" IG											
	0.090	0.250	0.090	0.250	0.090			ARG90	0.095(#2) / 0.095(#5)	CL	P1-S	N,S
	U-Factor 0.25			SHGC (N / <1) 0.47 / 0.42				VT (N / <1) 0.58 / 0.51			CR 68	
1272	142.294 SH / Opt 3 (INN Refo LR/KR/BR/S, No Foam): 80/70 / arg / clr / arg / 80/70 (SS/SS/SS) 3/4" IG											
	0.090	0.250	0.090	0.250	0.090			ARG90	0.095(#2) / 0.095(#5)	CL	P1-S	G,S
	U-Factor 0.26			SHGC (<1) 0.42				VT (<1) 0.51			CR 68	
1273	142.294 SH / Opt 3 (INN Refo LR/KR/BR/S, No Foam): clr / air / clr (SS/SS) 3/4" IG											
	0.087	0.563	0.087					AIR		CL	SS-D	N,G,S
	U-Factor 0.46			SHGC (N / <1) 0.63 / 0.56				VT (N / <1) 0.65 / 0.58			CR 45	
1274	142.294 SH / Opt 3 (INN Refo LR/KR/BR/S, No Foam): clr / air / clr (DS/DS) 3/4" IG											
	0.118	0.500	0.118					AIR		CL	SS-D	N,G,S
	U-Factor 0.46			SHGC (N / <1) 0.61 / 0.55				VT (N / <1) 0.65 / 0.58			CR 44	
1275	142.294 SH / Opt 3 (INN Refo LR/KR/BR/S, No Foam): clr / air / clr (5mm/DS) 3/4" IG											
	0.185	0.438	0.118					AIR		CL	SS-D	N,G,S
	U-Factor 0.47			SHGC (N / <1) 0.59 / 0.53				VT (N / <1) 0.64 / 0.57			CR 44	
1276	142.294 SH / Opt 3 (INN Refo LR/KR/BR/S, No Foam): clr / air / clr (5mm/DS) 3/4" IG											
	0.185	0.438	0.118					AIR		CL	SS-D	G
	U-Factor 0.47			SHGC (<1) 0.53				VT (<1) 0.57			CR 44	
1277	142.294 SH / Opt 3 (INN Refo LR/KR/BR/S, No Foam): lami / air / clr (DS 090 DS/DS) 3/4" IG											
	0.264	0.345	0.118					AIR		CL	SS-D	N,S
	U-Factor 0.48			SHGC (N / <1) 0.56 / 0.51				VT (N / <1) 0.63 / 0.57			CR 43	
	142.294 SH / Opt 3 (INN Refo LR/KR/BR/S, No Foam): clr / air / lami (DS/DS 090 DS) 3/4" IG											
	0.118	0.345	0.264					AIR		CL	SS-D	N,S
	U-Factor 0.48			SHGC (N / <1) 0.59 / 0.53				VT (N / <1) 0.63 / 0.57			CR 43	

**NFRC 100/200/500 Summary Sheet
Windgate/Belmont/Stormgate Single Hung**

ID	Pane Thickness 1	Gap Width 1	Pane Thickness 2	Gap Width 2	Pane Thickness 3	Gap Width 3	Pane Thickness 4	Gap Fill	Low-e (Surface#)	Tint	Spacer	Grid Type
	U-Factor			Solar Heat Gain Coefficient (SHGC) Grids (None / <1 / >=1)				Visible Transmittance (VT) Grids (None / <1 / >=1)			Condensation Resistance	
1278	142.294 SH / Opt 3 (INN Refo LR/KR/BR/S, No Foam): lami / air / clr (DS 090 DS/DS) 3/4" IG											
	0.264	0.345	0.118					AIR		CL	SS-D	G,S
	U-Factor 0.49			SHGC (<1) 0.51				VT (<1) 0.57			CR 43	
	142.294 SH / Opt 3 (INN Refo LR/KR/BR/S, No Foam): clr / air / lami (DS/DS 090 DS) 3/4" IG											
	0.118	0.345	0.264					AIR		CL	SS-D	G,S
	U-Factor 0.49			SHGC (<1) 0.53				VT (<1) 0.57			CR 43	
1279	142.294 SH / Opt 3 (INN Refo LR/KR/BR/S, No Foam): clr / air / clr / air / clr (SS/SS/SS) 3/4" IG (P1-S)											
	0.087	0.250	0.087	0.250	0.087			AIR		CL	SS-D	N,S
	U-Factor 0.38			SHGC (N / <1) 0.57 / 0.51				VT (N / <1) 0.60 / 0.54			CR 53	
1280	142.294 SH / Opt 3 (INN Refo LR/KR/BR/S, No Foam): clr / air / clr / air / clr (SS/SS/SS) 3/4" IG (P1-S)											
	0.087	0.250	0.087	0.250	0.087			AIR		CL	SS-D	G,S
	U-Factor 0.39			SHGC (<1) 0.51				VT (<1) 0.54			CR 53	
1281	142.294 SH / Opt 3 (INN Refo LR/KR/BR/S, No Foam): E270 / air / clr (SS/SS) 3/4" IG											
	0.087	0.563	0.087					AIR	0.037(#2)	CL	SS-D	N,G,S
	U-Factor 0.32			SHGC (N / <1) 0.30 / 0.27				VT (N / <1) 0.55 / 0.49			CR 56	
	142.294 SH / Opt 3 (INN Refo LR/KR/BR/S, No Foam): clr / air / E270 (SS/SS) 3/4" IG											
	0.087	0.563	0.087					AIR	0.037(#3)	CL	SS-D	N,G,S
	U-Factor 0.32			SHGC (N / <1) 0.37 / 0.33				VT (N / <1) 0.55 / 0.49			CR 56	
1282	142.294 SH / Opt 3 (INN Refo LR/KR/BR/S, No Foam): E270 / arg / clr (SS/SS) 3/4" IG											
	0.087	0.563	0.087					ARG90	0.037(#2)	CL	SS-D	N,G,S
	U-Factor 0.29			SHGC (N / <1) 0.29 / 0.26				VT (N / <1) 0.55 / 0.49			CR 59	
	142.294 SH / Opt 3 (INN Refo LR/KR/BR/S, No Foam): clr / arg / E270 (SS/SS) 3/4" IG											
	0.087	0.563	0.087					ARG90	0.037(#3)	CL	SS-D	N,G,S
	U-Factor 0.29			SHGC (N / <1) 0.37 / 0.33				VT (N / <1) 0.55 / 0.49			CR 59	
1283	142.294 SH / Opt 3 (INN Refo LR/KR/BR/S, No Foam): E270 / air / clr (DS/DS) 3/4" IG											
	0.118	0.500	0.118					AIR	0.037(#2)	CL	SS-D	N,G,S
	U-Factor 0.32			SHGC (N / <1) 0.30 / 0.27				VT (N / <1) 0.55 / 0.49			CR 55	
	142.294 SH / Opt 3 (INN Refo LR/KR/BR/S, No Foam): clr / air / E270 (DS/DS) 3/4" IG											
	0.118	0.500	0.118					AIR	0.037(#3)	CL	SS-D	N,G,S
	U-Factor 0.32			SHGC (N / <1) 0.36 / 0.33				VT (N / <1) 0.55 / 0.49			CR 55	

**NFRC 100/200/500 Summary Sheet
Windgate/Belmont/Stormgate Single Hung**

ID	Pane Thickness 1	Gap Width 1	Pane Thickness 2	Gap Width 2	Pane Thickness 3	Gap Width 3	Pane Thickness 4	Gap Fill	Low-e (Surface#)	Tint	Spacer	Grid Type
	U-Factor			Solar Heat Gain Coefficient (SHGC) Grids (None / <1 / >=1)				Visible Transmittance (VT) Grids (None / <1 / >=1)			Condensation Resistance	
1284	142.294 SH / Opt 3 (INN Refo LR/KR/BR/S, No Foam): E270 / arg / clr (DS/DS) 3/4" IG											
	0.118	0.500	0.118					ARG90	0.037(#2)	CL	SS-D	N,G,S
	U-Factor 0.28			SHGC (N / <1) 0.29 / 0.26				VT (N / <1) 0.55 / 0.49			CR 59	
	142.294 SH / Opt 3 (INN Refo LR/KR/BR/S, No Foam): clr / arg / E270 (DS/DS) 3/4" IG											
	0.118	0.500	0.118					ARG90	0.037(#3)	CL	SS-D	N,G,S
	U-Factor 0.28			SHGC (N / <1) 0.36 / 0.33				VT (N / <1) 0.55 / 0.49			CR 59	
1285	142.294 SH / Opt 3 (INN Refo LR/KR/BR/S, No Foam): lami / arg / E270 (DS 090 DS/DS) 3/4" IG											
	0.264	0.345	0.118					ARG90	0.037(#3)	CL	SS-D	N,S
	U-Factor 0.31			SHGC (N / <1) 0.35 / 0.31				VT (N / <1) 0.54 / 0.48			CR 57	
	142.294 SH / Opt 3 (INN Refo LR/KR/BR/S, No Foam): E270 / arg / lami (DS/DS 090 DS) 3/4" IG											
	0.118	0.345	0.264					ARG90	0.037(#2)	CL	SS-D	N,S
	U-Factor 0.31			SHGC (N / <1) 0.29 / 0.26				VT (N / <1) 0.54 / 0.48			CR 57	
1286	142.294 SH / Opt 3 (INN Refo LR/KR/BR/S, No Foam): lami / arg / E270 (DS 090 DS/DS) 3/4" IG											
	0.264	0.345	0.118					ARG90	0.037(#3)	CL	SS-D	G,S
	U-Factor 0.32			SHGC (<1) 0.31				VT (<1) 0.48			CR 56	
	142.294 SH / Opt 3 (INN Refo LR/KR/BR/S, No Foam): E270 / arg / lami (DS/DS 090 DS) 3/4" IG											
	0.118	0.345	0.264					ARG90	0.037(#2)	CL	SS-D	G,S
	U-Factor 0.32			SHGC (<1) 0.26				VT (<1) 0.48			CR 56	
1287	142.294 SH / Opt 3 (INN Refo LR/KR/BR/S, No Foam): E270 / arg / clr / arg / E270 (SS/SS/SS) 3/4" IG (SS-D)											
	0.087	0.266	0.087	0.266	0.087			ARG90	0.037(#2) / 0.037(#5)	CL	SS-D	N,S
	U-Factor 0.24			SHGC (N / <1) 0.25 / 0.23				VT (N / <1) 0.43 / 0.39			CR 67	
1288	142.294 SH / Opt 3 (INN Refo LR/KR/BR/S, No Foam): E270 / arg / clr / arg / E270 (SS/SS/SS) 3/4" IG (SS-D)											
	0.087	0.266	0.087	0.266	0.087			ARG90	0.037(#2) / 0.037(#5)	CL	SS-D	G,S
	U-Factor 0.25			SHGC (<1) 0.23				VT (<1) 0.39			CR 67	
1289	142.294 SH / Opt 3 (INN Refo LR/KR/BR/S, No Foam): E366 / air / clr (SS/SS) 3/4" IG											
	0.087	0.563	0.087					AIR	0.022(#2)	CL	SS-D	N,G,S
	U-Factor 0.32			SHGC (N / <1) 0.22 / 0.20				VT (N / <1) 0.51 / 0.46			CR 56	
	142.294 SH / Opt 3 (INN Refo LR/KR/BR/S, No Foam): clr / air / E366 (SS/SS) 3/4" IG											
	0.087	0.563	0.087					AIR	0.022(#3)	CL	SS-D	N,G,S
	U-Factor 0.32			SHGC (N / <1) 0.31 / 0.28				VT (N / <1) 0.51 / 0.46			CR 56	

**NFRC 100/200/500 Summary Sheet
 Windgate/Belmont/Stormgate Single Hung**

ID	Pane Thickness 1	Gap Width 1	Pane Thickness 2	Gap Width 2	Pane Thickness 3	Gap Width 3	Pane Thickness 4	Gap Fill	Low-e (Surface#)	Tint	Spacer	Grid Type
	U-Factor			Solar Heat Gain Coefficient (SHGC) Grids (None / <1 / >=1)				Visible Transmittance (VT) Grids (None / <1 / >=1)			Condensation Resistance	
1290	142.294 SH / Opt 3 (INN Refo LR/KR/BR/S, No Foam): E366 / arg / clr (SS/SS) 3/4" IG											
	0.087	0.563	0.087					ARG90	0.022(#2)	CL	SS-D	N,G,S
	U-Factor 0.28			SHGC (N / <1) 0.22 / 0.20				VT (N / <1) 0.51 / 0.46			CR	60
	142.294 SH / Opt 3 (INN Refo LR/KR/BR/S, No Foam): clr / arg / E366 (SS/SS) 3/4" IG											
	0.087	0.563	0.087					ARG90	0.022(#3)	CL	SS-D	N,G,S
	U-Factor 0.28			SHGC (N / <1) 0.31 / 0.28				VT (N / <1) 0.51 / 0.46			CR	60
1291	142.294 SH / Opt 3 (INN Refo LR/KR/BR/S, No Foam): E366 / air / clr (DS/DS) 3/4" IG											
	0.117	0.500	0.118					AIR	0.022(#2)	CL	SS-D	N,G,S
	U-Factor 0.32			SHGC (N / <1) 0.22 / 0.20				VT (N / <1) 0.51 / 0.45			CR	55
	142.294 SH / Opt 3 (INN Refo LR/KR/BR/S, No Foam): clr / air / E366 (DS/DS) 3/4" IG											
	0.118	0.500	0.117					AIR	0.022(#3)	CL	SS-D	N,G,S
	U-Factor 0.32			SHGC (N / <1) 0.30 / 0.28				VT (N / <1) 0.51 / 0.45			CR	55
1292	142.294 SH / Opt 3 (INN Refo LR/KR/BR/S, No Foam): E366 / arg / clr (DS/DS) 3/4" IG											
	0.117	0.500	0.118					ARG90	0.022(#2)	CL	SS-D	N,G,S
	U-Factor 0.28			SHGC (N / <1) 0.22 / 0.20				VT (N / <1) 0.51 / 0.45			CR	59
	142.294 SH / Opt 3 (INN Refo LR/KR/BR/S, No Foam): clr / arg / E366 (DS/DS) 3/4" IG											
	0.118	0.500	0.117					ARG90	0.022(#3)	CL	SS-D	N,G,S
	U-Factor 0.28			SHGC (N / <1) 0.31 / 0.28				VT (N / <1) 0.51 / 0.45			CR	59
1293	142.294 SH / Opt 3 (INN Refo LR/KR/BR/S, No Foam): lami / arg / E366 (DS 090 DS/DS) 3/4" IG											
	0.264	0.345	0.117					ARG90	0.022(#3)	CL	SS-D	N,S
	U-Factor 0.30			SHGC (N / <1) 0.29 / 0.27				VT (N / <1) 0.50 / 0.44			CR	57
	142.294 SH / Opt 3 (INN Refo LR/KR/BR/S, No Foam): E366 / arg / lami (DS/DS 090 DS) 3/4" IG											
	0.117	0.345	0.264					ARG90	0.022(#2)	CL	SS-D	N,S
	U-Factor 0.30			SHGC (N / <1) 0.22 / 0.20				VT (N / <1) 0.50 / 0.44			CR	57
1294	142.294 SH / Opt 3 (INN Refo LR/KR/BR/S, No Foam): lami / arg / E366 (DS 090 DS/DS) 3/4" IG											
	0.264	0.345	0.117					ARG90	0.022(#3)	CL	SS-D	G,S
	U-Factor 0.32			SHGC (<1) 0.27				VT (<1) 0.44			CR	57
	142.294 SH / Opt 3 (INN Refo LR/KR/BR/S, No Foam): E366 / arg / lami (DS/DS 090 DS) 3/4" IG											
	0.117	0.345	0.264					ARG90	0.022(#2)	CL	SS-D	G,S
	U-Factor 0.32			SHGC (<1) 0.20				VT (<1) 0.44			CR	57

**NFRC 100/200/500 Summary Sheet
 Windgate/Belmont/Stormgate Single Hung**

ID	Pane Thickness 1	Gap Width 1	Pane Thickness 2	Gap Width 2	Pane Thickness 3	Gap Width 3	Pane Thickness 4	Gap Fill	Low-e (Surface#)	Tint	Spacer	Grid Type
	U-Factor			Solar Heat Gain Coefficient (SHGC) Grids (None / <1 / >=1)				Visible Transmittance (VT) Grids (None / <1 / >=1)			Condensation Resistance	
1295	142.294 SH / Opt 3 (INN Refo LR/KR/BR/S, No Foam): E366 / arg / clr / arg / E366 (SS/SS/SS) 3/4" IG (SS-D)											
	0.087	0.266	0.087	0.266	0.087			ARG90	0.022(#2) / 0.022(#5)	CL	SS-D	N,S
	U-Factor 0.24			SHGC (N / <1) 0.19 / 0.17				VT (N / <1) 0.37 / 0.33			CR 67	
1296	142.294 SH / Opt 3 (INN Refo LR/KR/BR/S, No Foam): E366 / arg / clr / arg / E366 (SS/SS/SS) 3/4" IG (SS-D)											
	0.087	0.266	0.087	0.266	0.087			ARG90	0.022(#2) / 0.022(#5)	CL	SS-D	G,S
	U-Factor 0.24			SHGC (<1) 0.17				VT (<1) 0.33			CR 67	
1297	142.294 SH / Opt 3 (INN Refo LR/KR/BR/S, No Foam): clr / air / clr (SS/SS) 3/4" IG											
	0.087	0.563	0.087					AIR		CL	TS-D	N,G,S
	U-Factor 0.46			SHGC (N / <1) 0.63 / 0.56				VT (N / <1) 0.65 / 0.58			CR 44	
1298	142.294 SH / Opt 3 (INN Refo LR/KR/BR/S, No Foam): clr / air / clr (DS/DS) 3/4" IG											
	0.118	0.500	0.118					AIR		CL	TS-D	N,G,S
	U-Factor 0.46			SHGC (N / <1) 0.61 / 0.55				VT (N / <1) 0.65 / 0.58			CR 43	
1299	142.294 SH / Opt 3 (INN Refo LR/KR/BR/S, No Foam): clr / air / clr (5mm/DS) 3/4" IG											
	0.185	0.438	0.118					AIR		CL	TS-D	N,G,S
	U-Factor 0.47			SHGC (N / <1) 0.59 / 0.53				VT (N / <1) 0.64 / 0.57			CR 43	
1300	142.294 SH / Opt 3 (INN Refo LR/KR/BR/S, No Foam): clr / air / clr (5mm/DS) 3/4" IG											
	0.185	0.438	0.118					AIR		CL	TS-D	G
	U-Factor 0.47			SHGC (<1) 0.53				VT (<1) 0.57			CR 43	
1301	142.294 SH / Opt 3 (INN Refo LR/KR/BR/S, No Foam): lami / air / clr (DS 090 DS/DS) 3/4" IG											
	0.264	0.345	0.118					AIR		CL	TS-D	N,S
	U-Factor 0.48			SHGC (N / <1) 0.56 / 0.51				VT (N / <1) 0.63 / 0.57			CR 42	
	142.294 SH / Opt 3 (INN Refo LR/KR/BR/S, No Foam): clr / air / lami (DS/DS 090 DS) 3/4" IG											
	0.118	0.345	0.264					AIR		CL	TS-D	N,S
	U-Factor 0.48			SHGC (N / <1) 0.59 / 0.53				VT (N / <1) 0.63 / 0.57			CR 42	
1302	142.294 SH / Opt 3 (INN Refo LR/KR/BR/S, No Foam): lami / air / clr (DS 090 DS/DS) 3/4" IG											
	0.264	0.345	0.118					AIR		CL	TS-D	G,S
	U-Factor 0.49			SHGC (<1) 0.51				VT (<1) 0.57			CR 42	
	142.294 SH / Opt 3 (INN Refo LR/KR/BR/S, No Foam): clr / air / lami (DS/DS 090 DS) 3/4" IG											
	0.118	0.345	0.264					AIR		CL	TS-D	G,S
	U-Factor 0.49			SHGC (<1) 0.53				VT (<1) 0.57			CR 42	

NFRC 100/200/500 Summary Sheet Windgate/Belmont/Stormgate Single Hung

ID	Pane Thickness 1	Gap Width 1	Pane Thickness 2	Gap Width 2	Pane Thickness 3	Gap Width 3	Pane Thickness 4	Gap Fill	Low-e (Surface#)	Tint	Spacer	Grid Type
	U-Factor			Solar Heat Gain Coefficient (SHGC) Grids (None / <1 / >=1)				Visible Transmittance (VT) Grids (None / <1 / >=1)			Condensation Resistance	
1303	142.294 SH / Opt 3 (INN Refo LR/KR/BR/S, No Foam): clr / air / clr / air / clr (SS/SS/SS) 3/4" IG (P1-S)											
	0.087	0.250	0.087	0.250	0.087			AIR		CL	TS-D	N,S
	U-Factor 0.39			SHGC (N / <1) 0.57 / 0.51				VT (N / <1) 0.60 / 0.54			CR 52	
1304	142.294 SH / Opt 3 (INN Refo LR/KR/BR/S, No Foam): clr / air / clr / air / clr (SS/SS/SS) 3/4" IG (P1-S)											
	0.087	0.250	0.087	0.250	0.087			AIR		CL	TS-D	G,S
	U-Factor 0.40			SHGC (<1) 0.51				VT (<1) 0.54			CR 52	
1305	142.294 SH / Opt 3 (INN Refo LR/KR/BR/S, No Foam): 70/36 / air / clr (SS/SS) 3/4" IG											
	0.090	0.563	0.090					AIR	0.036(#2)	CL	TS-D	N,G,S
	U-Factor 0.33			SHGC (N / <1) 0.31 / 0.28				VT (N / <1) 0.55 / 0.49			CR 55	
	142.294 SH / Opt 3 (INN Refo LR/KR/BR/S, No Foam): clr / air / 70/36 (SS/SS) 3/4" IG											
	0.090	0.563	0.090					AIR	0.036(#3)	CL	TS-D	N,G,S
	U-Factor 0.33			SHGC (N / <1) 0.39 / 0.35				VT (N / <1) 0.55 / 0.49			CR 55	
1306	142.294 SH / Opt 3 (INN Refo LR/KR/BR/S, No Foam): 70/36 / arg / clr (SS/SS) 3/4" IG											
	0.090	0.563	0.090					ARG90	0.036(#2)	CL	TS-D	N,G,S
	U-Factor 0.29			SHGC (N / <1) 0.31 / 0.28				VT (N / <1) 0.55 / 0.49			CR 58	
	142.294 SH / Opt 3 (INN Refo LR/KR/BR/S, No Foam): clr / arg / 70/36 (SS/SS) 3/4" IG											
	0.090	0.563	0.090					ARG90	0.036(#3)	CL	TS-D	N,G,S
	U-Factor 0.29			SHGC (N / <1) 0.39 / 0.35				VT (N / <1) 0.55 / 0.49			CR 58	
1307	142.294 SH / Opt 3 (INN Refo LR/KR/BR/S, No Foam): 70/36 / air / clr (DS/DS) 3/4" IG											
	0.117	0.500	0.117					AIR	0.036(#2)	CL	TS-D	N,G,S
	U-Factor 0.32			SHGC (N / <1) 0.31 / 0.28				VT (N / <1) 0.55 / 0.49			CR 54	
	142.294 SH / Opt 3 (INN Refo LR/KR/BR/S, No Foam): clr / air / 70/36 (DS/DS) 3/4" IG											
	0.117	0.500	0.117					AIR	0.036(#3)	CL	TS-D	N,G,S
	U-Factor 0.32			SHGC (N / <1) 0.38 / 0.34				VT (N / <1) 0.55 / 0.49			CR 54	
1308	142.294 SH / Opt 3 (INN Refo LR/KR/BR/S, No Foam): 70/36 / arg / clr (DS/DS) 3/4" IG											
	0.117	0.500	0.117					ARG90	0.036(#2)	CL	TS-D	N,G,S
	U-Factor 0.29			SHGC (N / <1) 0.30 / 0.27				VT (N / <1) 0.55 / 0.49			CR 57	
	142.294 SH / Opt 3 (INN Refo LR/KR/BR/S, No Foam): clr / arg / 70/36 (DS/DS) 3/4" IG											
	0.117	0.500	0.117					ARG90	0.036(#3)	CL	TS-D	N,G,S
	U-Factor 0.29			SHGC (N / <1) 0.38 / 0.35				VT (N / <1) 0.55 / 0.49			CR 57	

**NFRC 100/200/500 Summary Sheet
 Windgate/Belmont/Stormgate Single Hung**

ID	Pane Thickness 1	Gap Width 1	Pane Thickness 2	Gap Width 2	Pane Thickness 3	Gap Width 3	Pane Thickness 4	Gap Fill	Low-e (Surface#)	Tint	Spacer	Grid Type
	U-Factor			Solar Heat Gain Coefficient (SHGC) Grids (None / <1 / >=1)				Visible Transmittance (VT) Grids (None / <1 / >=1)		Condensation Resistance		
1309	142.294 SH / Opt 3 (INN Refo LR/KR/BR/S, No Foam): lami / arg / 70/36 (DS 090 DS/DS) 3/4" IG											
	0.264	0.345	0.117					ARG90	0.036(#3)	CL	TS-D	N,S
	U-Factor 0.31			SHGC (N / <1) 0.36 / 0.33				VT (N / <1) 0.54 / 0.48		CR 55		
	142.294 SH / Opt 3 (INN Refo LR/KR/BR/S, No Foam): 70/36 / arg / lami (DS/DS 090 DS) 3/4" IG											
	0.117	0.345	0.264					ARG90	0.036(#2)	CL	TS-D	N,S
	U-Factor 0.31			SHGC (N / <1) 0.30 / 0.27				VT (N / <1) 0.54 / 0.48		CR 55		
1310	142.294 SH / Opt 3 (INN Refo LR/KR/BR/S, No Foam): lami / arg / 70/36 (DS 090 DS/DS) 3/4" IG											
	0.264	0.345	0.117					ARG90	0.036(#3)	CL	TS-D	G,S
	U-Factor 0.32			SHGC (<1) 0.33				VT (<1) 0.48		CR 55		
	142.294 SH / Opt 3 (INN Refo LR/KR/BR/S, No Foam): 70/36 / arg / lami (DS/DS 090 DS) 3/4" IG											
	0.117	0.345	0.264					ARG90	0.036(#2)	CL	TS-D	G,S
	U-Factor 0.32			SHGC (<1) 0.27				VT (<1) 0.48		CR 55		
1311	142.294 SH / Opt 3 (INN Refo LR/KR/BR/S, No Foam): 70/36 / arg / clr / arg / 70/36 (SS/SS/SS) 3/4" IG											
	0.090	0.250	0.090	0.250	0.090			ARG90	0.036(#2) / 0.036(#5)	CL	TS-D	N,S
	U-Factor 0.25			SHGC (N / <1) 0.26 / 0.24				VT (N / <1) 0.43 / 0.39		CR 64		
1312	142.294 SH / Opt 3 (INN Refo LR/KR/BR/S, No Foam): 70/36 / arg / clr / arg / 70/36 (SS/SS/SS) 3/4" IG											
	0.090	0.250	0.090	0.250	0.090			ARG90	0.036(#2) / 0.036(#5)	CL	TS-D	G,S
	U-Factor 0.26			SHGC (<1) 0.24				VT (<1) 0.39		CR 64		
1313	142.294 SH / Opt 3 (INN Refo LR/KR/BR/S, No Foam): 80/70 / air / clr (SS/SS) 3/4" IG											
	0.090	0.563	0.090					AIR	0.095(#2)	CL	TS-D	N,G,S
	U-Factor 0.34			SHGC (N / <1) 0.53 / 0.48				VT (N / <1) 0.64 / 0.57		CR 54		
	142.294 SH / Opt 3 (INN Refo LR/KR/BR/S, No Foam): clr / air / 80/70 (SS/SS) 3/4" IG											
	0.090	0.563	0.090					AIR	0.095(#3)	CL	TS-D	N,G,S
	U-Factor 0.34			SHGC (N / <1) 0.56 / 0.50				VT (N / <1) 0.64 / 0.57		CR 54		
1314	142.294 SH / Opt 3 (INN Refo LR/KR/BR/S, No Foam): 80/70 / arg / clr (SS/SS) 3/4" IG											
	0.090	0.563	0.090					ARG90	0.095(#2)	CL	TS-D	N,G,S
	U-Factor 0.31			SHGC (N / <1) 0.53 / 0.48				VT (N / <1) 0.64 / 0.57		CR 57		
	142.294 SH / Opt 3 (INN Refo LR/KR/BR/S, No Foam): clr / arg / 80/70 (SS/SS) 3/4" IG											
	0.090	0.563	0.090					ARG90	0.095(#3)	CL	TS-D	N,G,S
	U-Factor 0.31			SHGC (N / <1) 0.56 / 0.50				VT (N / <1) 0.64 / 0.57		CR 57		

**NFRC 100/200/500 Summary Sheet
 Windgate/Belmont/Stormgate Single Hung**

ID	Pane Thickness 1	Gap Width 1	Pane Thickness 2	Gap Width 2	Pane Thickness 3	Gap Width 3	Pane Thickness 4	Gap Fill	Low-e (Surface#)	Tint	Spacer	Grid Type
	U-Factor			Solar Heat Gain Coefficient (SHGC) Grids (None / <1 / >=1)				Visible Transmittance (VT) Grids (None / <1 / >=1)			Condensation Resistance	
1315	142.294 SH / Opt 3 (INN Refo LR/KR/BR/S, No Foam): 80/70 / air / clr (DS/DS) 3/4" IG											
	0.117	0.500	0.117					AIR	0.095(#2)	CL	TS-D	N,G,S
	U-Factor 0.34			SHGC (N / <1) 0.52 / 0.47				VT (N / <1) 0.63 / 0.57			CR 53	
	142.294 SH / Opt 3 (INN Refo LR/KR/BR/S, No Foam): clr / air / 80/70 (DS/DS) 3/4" IG											
	0.117	0.500	0.117					AIR	0.095(#3)	CL	TS-D	N,G,S
	U-Factor 0.34			SHGC (N / <1) 0.55 / 0.50				VT (N / <1) 0.63 / 0.57			CR 53	
1316	142.294 SH / Opt 3 (INN Refo LR/KR/BR/S, No Foam): 80/70 / arg / clr (DS/DS) 3/4" IG											
	0.117	0.500	0.117					ARG90	0.095(#2)	CL	TS-D	N,G,S
	U-Factor 0.31			SHGC (N / <1) 0.52 / 0.47				VT (N / <1) 0.63 / 0.57			CR 56	
	142.294 SH / Opt 3 (INN Refo LR/KR/BR/S, No Foam): clr / arg / 80/70 (DS/DS) 3/4" IG											
	0.117	0.500	0.117					ARG90	0.095(#3)	CL	TS-D	N,G,S
	U-Factor 0.31			SHGC (N / <1) 0.55 / 0.50				VT (N / <1) 0.63 / 0.57			CR 56	
1317	142.294 SH / Opt 3 (INN Refo LR/KR/BR/S, No Foam): lami / arg / 80/70 (DS 090 DS/DS) 3/4" IG											
	0.264	0.345	0.117					ARG90	0.095(#3)	CL	TS-D	N,S
	U-Factor 0.33			SHGC (N / <1) 0.51 / 0.46				VT (N / <1) 0.62 / 0.56			CR 54	
	142.294 SH / Opt 3 (INN Refo LR/KR/BR/S, No Foam): 80/70 / arg / lami (DS/DS 090 DS) 3/4" IG											
	0.117	0.345	0.264					ARG90	0.095(#2)	CL	TS-D	N,S
	U-Factor 0.33			SHGC (N / <1) 0.51 / 0.46				VT (N / <1) 0.62 / 0.56			CR 54	
1318	142.294 SH / Opt 3 (INN Refo LR/KR/BR/S, No Foam): lami / arg / 80/70 (DS 090 DS/DS) 3/4" IG											
	0.264	0.345	0.117					ARG90	0.095(#3)	CL	TS-D	G,S
	U-Factor 0.34			SHGC (<1) 0.46				VT (<1) 0.56			CR 54	
	142.294 SH / Opt 3 (INN Refo LR/KR/BR/S, No Foam): 80/70 / arg / lami (DS/DS 090 DS) 3/4" IG											
	0.117	0.345	0.264					ARG90	0.095(#2)	CL	TS-D	G,S
	U-Factor 0.34			SHGC (<1) 0.46				VT (<1) 0.56			CR 54	
1319	142.294 SH / Opt 3 (INN Refo LR/KR/BR/S, No Foam): 80/70 / arg / clr / arg / 80/70 (SS/SS/SS) 3/4" IG											
	0.090	0.250	0.090	0.250	0.090			ARG90	0.095(#2) / 0.095(#5)	CL	TS-D	N,S
	U-Factor 0.26			SHGC (N / <1) 0.47 / 0.42				VT (N / <1) 0.58 / 0.51			CR 63	
1320	142.294 SH / Opt 3 (INN Refo LR/KR/BR/S, No Foam): 80/70 / arg / clr / arg / 80/70 (SS/SS/SS) 3/4" IG											
	0.090	0.250	0.090	0.250	0.090			ARG90	0.095(#2) / 0.095(#5)	CL	TS-D	G,S
	U-Factor 0.27			SHGC (<1) 0.42				VT (<1) 0.51			CR 63	

**NFRC 100/200/500 Summary Sheet
Windgate/Belmont/Stormgate Single Hung**

ID	Pane Thickness 1	Gap Width 1	Pane Thickness 2	Gap Width 2	Pane Thickness 3	Gap Width 3	Pane Thickness 4	Gap Width 4	Gap Fill	Low-e (Surface#)	Tint	Spacer	Grid Type
	U-Factor			Solar Heat Gain Coefficient (SHGC) Grids (None / <1 / >=1)					Visible Transmittance (VT) Grids (None / <1 / >=1)			Condensation Resistance	
1321	142.294 SH / Opt 4 (No Refo, Foam): clr / air / clr (SS/SS) 3/4" IG												
	0.087	0.563	0.087						AIR		CL	P1-S	N,G,S
	U-Factor 0.44			SHGC (N / <1) 0.63 / 0.56					VT (N / <1) 0.65 / 0.58			CR	46
1322	142.294 SH / Opt 4 (No Refo, Foam): clr / air / clr (DS/DS) 3/4" IG												
	0.118	0.500	0.118						AIR		CL	P1-S	N,G,S
	U-Factor 0.44			SHGC (N / <1) 0.61 / 0.55					VT (N / <1) 0.65 / 0.58			CR	45
1323	142.294 SH / Opt 4 (No Refo, Foam): clr / air / clr (5mm/DS) 3/4" IG												
	0.185	0.438	0.118						AIR		CL	P1-S	N,G,S
	U-Factor 0.45			SHGC (N / <1) 0.59 / 0.53					VT (N / <1) 0.64 / 0.57			CR	45
1324	142.294 SH / Opt 4 (No Refo, Foam): clr / air / clr (5mm/DS) 3/4" IG												
	0.185	0.438	0.118						AIR		CL	P1-S	G
	U-Factor 0.45			SHGC (<1) 0.53					VT (<1) 0.57			CR	45
1325	142.294 SH / Opt 4 (No Refo, Foam): lami / air / clr (DS 090 DS/DS) 3/4" IG												
	0.264	0.345	0.118						AIR		CL	P1-S	N,S
	U-Factor 0.46			SHGC (N / <1) 0.56 / 0.51					VT (N / <1) 0.63 / 0.57			CR	44
	142.294 SH / Opt 4 (No Refo, Foam): clr / air / lami (DS/DS 090 DS) 3/4" IG												
	0.118	0.345	0.264						AIR		CL	P1-S	N,S
	U-Factor 0.46			SHGC (N / <1) 0.59 / 0.53					VT (N / <1) 0.63 / 0.57			CR	44
1326	142.294 SH / Opt 4 (No Refo, Foam): lami / air / clr (DS 090 DS/DS) 3/4" IG												
	0.264	0.345	0.118						AIR		CL	P1-S	G,S
	U-Factor 0.47			SHGC (<1) 0.51					VT (<1) 0.57			CR	44
	142.294 SH / Opt 4 (No Refo, Foam): clr / air / lami (DS/DS 090 DS) 3/4" IG												
	0.118	0.345	0.264						AIR		CL	P1-S	G,S
	U-Factor 0.47			SHGC (<1) 0.53					VT (<1) 0.57			CR	44
1327	142.294 SH / Opt 4 (No Refo, Foam): clr / air / clr / air / clr (SS/SS/SS) 3/4" IG (P1-S)												
	0.087	0.250	0.087	0.250	0.087				AIR		CL	P1-S	N,S
	U-Factor 0.37			SHGC (N / <1) 0.57 / 0.51					VT (N / <1) 0.60 / 0.54			CR	54
1328	142.294 SH / Opt 4 (No Refo, Foam): clr / air / clr / air / clr (SS/SS/SS) 3/4" IG (P1-S)												
	0.087	0.250	0.087	0.250	0.087				AIR		CL	P1-S	G,S
	U-Factor 0.38			SHGC (<1) 0.51					VT (<1) 0.54			CR	54

NFRC 100/200/500 Summary Sheet Windgate/Belmont/Stormgate Single Hung

ID	Pane Thickness 1	Gap Width 1	Pane Thickness 2	Gap Width 2	Pane Thickness 3	Gap Width 3	Pane Thickness 4	Gap Fill	Low-e (Surface#)	Tint	Spacer	Grid Type
	U-Factor			Solar Heat Gain Coefficient (SHGC) Grids (None / <1 / >=1)				Visible Transmittance (VT) Grids (None / <1 / >=1)			Condensation Resistance	
1329	142.294 SH / Opt 4 (No Refo, Foam): E270 / air / clr (SS/SS) 3/4" IG											
	0.087	0.563	0.087					AIR	0.037(#2)	CL	P1-S	N,G,S
	U-Factor 0.30			SHGC (N / <1) 0.30 / 0.27				VT (N / <1) 0.55 / 0.49			CR 58	
	142.294 SH / Opt 4 (No Refo, Foam): clr / air / E270 (SS/SS) 3/4" IG											
	0.087	0.563	0.087					AIR	0.037(#3)	CL	P1-S	N,G,S
	U-Factor 0.30			SHGC (N / <1) 0.37 / 0.33				VT (N / <1) 0.55 / 0.49			CR 58	
1330	142.294 SH / Opt 4 (No Refo, Foam): E270 / arg / clr (SS/SS) 3/4" IG											
	0.087	0.563	0.087					ARG90	0.037(#2)	CL	P1-S	N,G,S
	U-Factor 0.27			SHGC (N / <1) 0.29 / 0.26				VT (N / <1) 0.55 / 0.49			CR 62	
	142.294 SH / Opt 4 (No Refo, Foam): clr / arg / E270 (SS/SS) 3/4" IG											
	0.087	0.563	0.087					ARG90	0.037(#3)	CL	P1-S	N,G,S
	U-Factor 0.27			SHGC (N / <1) 0.37 / 0.33				VT (N / <1) 0.55 / 0.49			CR 62	
1331	142.294 SH / Opt 4 (No Refo, Foam): E270 / air / clr (DS/DS) 3/4" IG											
	0.118	0.500	0.118					AIR	0.037(#2)	CL	P1-S	N,G,S
	U-Factor 0.30			SHGC (N / <1) 0.30 / 0.27				VT (N / <1) 0.55 / 0.49			CR 57	
	142.294 SH / Opt 4 (No Refo, Foam): clr / air / E270 (DS/DS) 3/4" IG											
	0.118	0.500	0.118					AIR	0.037(#3)	CL	P1-S	N,G,S
	U-Factor 0.30			SHGC (N / <1) 0.36 / 0.33				VT (N / <1) 0.55 / 0.49			CR 57	
1332	142.294 SH / Opt 4 (No Refo, Foam): E270 / arg / clr (DS/DS) 3/4" IG											
	0.118	0.500	0.118					ARG90	0.037(#2)	CL	P1-S	N,G,S
	U-Factor 0.26			SHGC (N / <1) 0.29 / 0.26				VT (N / <1) 0.55 / 0.49			CR 62	
	142.294 SH / Opt 4 (No Refo, Foam): clr / arg / E270 (DS/DS) 3/4" IG											
	0.118	0.500	0.118					ARG90	0.037(#3)	CL	P1-S	N,G,S
	U-Factor 0.26			SHGC (N / <1) 0.36 / 0.33				VT (N / <1) 0.55 / 0.49			CR 62	
1333	142.294 SH / Opt 4 (No Refo, Foam): lami / arg / E270 (DS 090 DS/DS) 3/4" IG											
	0.264	0.345	0.118					ARG90	0.037(#3)	CL	P1-S	N,S
	U-Factor 0.29			SHGC (N / <1) 0.35 / 0.31				VT (N / <1) 0.54 / 0.48			CR 59	
	142.294 SH / Opt 4 (No Refo, Foam): E270 / arg / lami (DS/DS 090 DS) 3/4" IG											
	0.118	0.345	0.264					ARG90	0.037(#2)	CL	P1-S	N,S
	U-Factor 0.29			SHGC (N / <1) 0.29 / 0.26				VT (N / <1) 0.54 / 0.48			CR 59	

NFRC 100/200/500 Summary Sheet Windgate/Belmont/Stormgate Single Hung

ID	Pane Thickness 1	Gap Width 1	Pane Thickness 2	Gap Width 2	Pane Thickness 3	Gap Width 3	Pane Thickness 4	Gap Width 4	Gap Fill	Low-e (Surface#)	Tint	Spacer	Grid Type
	U-Factor			Solar Heat Gain Coefficient (SHGC) Grids (None / <1 / >=1)					Visible Transmittance (VT) Grids (None / <1 / >=1)			Condensation Resistance	
1334	142.294 SH / Opt 4 (No Refo, Foam): lami / arg / E270 (DS 090 DS/DS) 3/4" IG												
	0.264	0.345	0.118						ARG90	0.037(#3)	CL	P1-S	G,S
	U-Factor 0.30			SHGC (<1) 0.31					VT (<1) 0.48			CR 59	
	142.294 SH / Opt 4 (No Refo, Foam): E270 / arg / lami (DS/DS 090 DS) 3/4" IG												
	0.118	0.345	0.264						ARG90	0.037(#2)	CL	P1-S	G,S
	U-Factor 0.30			SHGC (<1) 0.26					VT (<1) 0.48			CR 59	
1335	142.294 SH / Opt 4 (No Refo, Foam): E270 / arg / clr / arg / E270 (SS/SS/SS) 3/4" IG (P1-S)												
	0.087	0.250	0.087	0.250	0.087				ARG90	0.037(#2) / 0.037(#5)	CL	P1-S	N,S
	U-Factor 0.23			SHGC (N / <1) 0.25 / 0.23					VT (N / <1) 0.43 / 0.39			CR 69	
1336	142.294 SH / Opt 4 (No Refo, Foam): E270 / arg / clr / arg / E270 (SS/SS/SS) 3/4" IG (P1-S)												
	0.087	0.250	0.087	0.250	0.087				ARG90	0.037(#2) / 0.037(#5)	CL	P1-S	G,S
	U-Factor 0.24			SHGC (<1) 0.23					VT (<1) 0.39			CR 69	
1337	142.294 SH / Opt 4 (No Refo, Foam): E366 / air / clr (SS/SS) 3/4" IG												
	0.087	0.563	0.087						AIR	0.022(#2)	CL	P1-S	N,G,S
	U-Factor 0.30			SHGC (N / <1) 0.22 / 0.20					VT (N / <1) 0.51 / 0.46			CR 59	
	142.294 SH / Opt 4 (No Refo, Foam): clr / air / E366 (SS/SS) 3/4" IG												
	0.087	0.563	0.087						AIR	0.022(#3)	CL	P1-S	N,G,S
	U-Factor 0.30			SHGC (N / <1) 0.31 / 0.28					VT (N / <1) 0.51 / 0.46			CR 59	
1338	142.294 SH / Opt 4 (No Refo, Foam): E366 / arg / clr (SS/SS) 3/4" IG												
	0.087	0.563	0.087						ARG90	0.022(#2)	CL	P1-S	N,G,S
	U-Factor 0.26			SHGC (N / <1) 0.22 / 0.20					VT (N / <1) 0.51 / 0.46			CR 63	
	142.294 SH / Opt 4 (No Refo, Foam): clr / arg / E366 (SS/SS) 3/4" IG												
	0.087	0.563	0.087						ARG90	0.022(#3)	CL	P1-S	N,G,S
	U-Factor 0.26			SHGC (N / <1) 0.31 / 0.28					VT (N / <1) 0.51 / 0.46			CR 63	
1339	142.294 SH / Opt 4 (No Refo, Foam): E366 / air / clr (DS/DS) 3/4" IG												
	0.117	0.500	0.118						AIR	0.022(#2)	CL	P1-S	N,G,S
	U-Factor 0.30			SHGC (N / <1) 0.22 / 0.20					VT (N / <1) 0.51 / 0.45			CR 58	
	142.294 SH / Opt 4 (No Refo, Foam): clr / air / E366 (DS/DS) 3/4" IG												
	0.118	0.500	0.117						AIR	0.022(#3)	CL	P1-S	N,G,S
	U-Factor 0.30			SHGC (N / <1) 0.30 / 0.28					VT (N / <1) 0.51 / 0.45			CR 58	

**NFRC 100/200/500 Summary Sheet
 Windgate/Belmont/Stormgate Single Hung**

ID	Pane Thickness 1	Gap Width 1	Pane Thickness 2	Gap Width 2	Pane Thickness 3	Gap Width 3	Pane Thickness 4	Gap Fill	Low-e (Surface#)	Tint	Spacer	Grid Type
	U-Factor			Solar Heat Gain Coefficient (SHGC) Grids (None / <1 / >=1)				Visible Transmittance (VT) Grids (None / <1 / >=1)			Condensation Resistance	
1340	142.294 SH / Opt 4 (No Refo, Foam): E366 / arg / clr (DS/DS) 3/4" IG											
	0.117	0.500	0.118					ARG90	0.022(#2)	CL	P1-S	N,G,S
	U-Factor 0.26			SHGC (N / <1) 0.22 / 0.20				VT (N / <1) 0.51 / 0.45			CR 62	
	142.294 SH / Opt 4 (No Refo, Foam): clr / arg / E366 (DS/DS) 3/4" IG											
	0.118	0.500	0.117					ARG90	0.022(#3)	CL	P1-S	N,G,S
	U-Factor 0.26			SHGC (N / <1) 0.31 / 0.28				VT (N / <1) 0.51 / 0.45			CR 62	
1341	142.294 SH / Opt 4 (No Refo, Foam): lami / arg / E366 (DS 090 DS/DS) 3/4" IG											
	0.264	0.345	0.117					ARG90	0.022(#3)	CL	P1-S	N,S
	U-Factor 0.28			SHGC (N / <1) 0.29 / 0.27				VT (N / <1) 0.50 / 0.44			CR 60	
	142.294 SH / Opt 4 (No Refo, Foam): E366 / arg / lami (DS/DS 090 DS) 3/4" IG											
	0.117	0.345	0.264					ARG90	0.022(#2)	CL	P1-S	N,S
	U-Factor 0.28			SHGC (N / <1) 0.22 / 0.20				VT (N / <1) 0.50 / 0.44			CR 60	
1342	142.294 SH / Opt 4 (No Refo, Foam): lami / arg / E366 (DS 090 DS/DS) 3/4" IG											
	0.264	0.345	0.117					ARG90	0.022(#3)	CL	P1-S	G,S
	U-Factor 0.30			SHGC (<1) 0.27				VT (<1) 0.44			CR 60	
	142.294 SH / Opt 4 (No Refo, Foam): E366 / arg / lami (DS/DS 090 DS) 3/4" IG											
	0.117	0.345	0.264					ARG90	0.022(#2)	CL	P1-S	G,S
	U-Factor 0.30			SHGC (<1) 0.20				VT (<1) 0.44			CR 60	
1343	142.294 SH / Opt 4 (No Refo, Foam): E366 / arg / clr / arg / E366 (SS/SS/SS) 3/4" IG (P1-S)											
	0.087	0.250	0.087	0.250	0.087			ARG90	0.022(#2) / 0.022(#5)	CL	P1-S	N,S
	U-Factor 0.22			SHGC (N / <1) 0.19 / 0.17				VT (N / <1) 0.37 / 0.33			CR 69	
1344	142.294 SH / Opt 4 (No Refo, Foam): E366 / arg / clr / arg / E366 (SS/SS/SS) 3/4" IG (P1-S)											
	0.087	0.250	0.087	0.250	0.087			ARG90	0.022(#2) / 0.022(#5)	CL	P1-S	G,S
	U-Factor 0.23			SHGC (<1) 0.17				VT (<1) 0.33			CR 69	
1345	142.294 SH / Opt 4 (No Refo, Foam): 70/36 / air / clr (SS/SS) 3/4" IG											
	0.090	0.563	0.090					AIR	0.036(#2)	CL	P1-S	N,G,S
	U-Factor 0.30			SHGC (N / <1) 0.31 / 0.28				VT (N / <1) 0.55 / 0.49			CR 58	
	142.294 SH / Opt 4 (No Refo, Foam): clr / air / 70/36 (SS/SS) 3/4" IG											
	0.090	0.563	0.090					AIR	0.036(#3)	CL	P1-S	N,G,S
	U-Factor 0.30			SHGC (N / <1) 0.39 / 0.35				VT (N / <1) 0.55 / 0.49			CR 58	

**NFRC 100/200/500 Summary Sheet
Windgate/Belmont/Stormgate Single Hung**

ID	Pane Thickness 1	Gap Width 1	Pane Thickness 2	Gap Width 2	Pane Thickness 3	Gap Width 3	Pane Thickness 4	Gap Width 4	Gap Fill	Low-e (Surface#)	Tint	Spacer	Grid Type
	U-Factor			Solar Heat Gain Coefficient (SHGC) Grids (None / <1 / >=1)				Visible Transmittance (VT) Grids (None / <1 / >=1)			Condensation Resistance		
1346	142.294 SH / Opt 4 (No Refo, Foam): 70/36 / arg / clr (SS/SS) 3/4" IG												
	0.090	0.563	0.090						ARG90	0.036(#2)	CL	P1-S	N,G,S
	U-Factor 0.27			SHGC (N / <1) 0.31 / 0.28				VT (N / <1) 0.55 / 0.49			CR 63		
	142.294 SH / Opt 4 (No Refo, Foam): clr / arg / 70/36 (SS/SS) 3/4" IG												
	0.090	0.563	0.090						ARG90	0.036(#3)	CL	P1-S	N,G,S
	U-Factor 0.27			SHGC (N / <1) 0.39 / 0.35				VT (N / <1) 0.55 / 0.49			CR 63		
1347	142.294 SH / Opt 4 (No Refo, Foam): 70/36 / air / clr (DS/DS) 3/4" IG												
	0.117	0.500	0.117						AIR	0.036(#2)	CL	P1-S	N,G,S
	U-Factor 0.30			SHGC (N / <1) 0.31 / 0.28				VT (N / <1) 0.55 / 0.49			CR 57		
	142.294 SH / Opt 4 (No Refo, Foam): clr / air / 70/36 (DS/DS) 3/4" IG												
	0.117	0.500	0.117						AIR	0.036(#3)	CL	P1-S	N,G,S
	U-Factor 0.30			SHGC (N / <1) 0.38 / 0.34				VT (N / <1) 0.55 / 0.49			CR 57		
1348	142.294 SH / Opt 4 (No Refo, Foam): 70/36 / arg / clr (DS/DS) 3/4" IG												
	0.117	0.500	0.117						ARG90	0.036(#2)	CL	P1-S	N,G,S
	U-Factor 0.26			SHGC (N / <1) 0.30 / 0.27				VT (N / <1) 0.55 / 0.49			CR 62		
	142.294 SH / Opt 4 (No Refo, Foam): clr / arg / 70/36 (DS/DS) 3/4" IG												
	0.117	0.500	0.117						ARG90	0.036(#3)	CL	P1-S	N,G,S
	U-Factor 0.26			SHGC (N / <1) 0.38 / 0.35				VT (N / <1) 0.55 / 0.49			CR 62		
1349	142.294 SH / Opt 4 (No Refo, Foam): lami / arg / 70/36 (DS 090 DS/DS) 3/4" IG												
	0.264	0.345	0.117						ARG90	0.036(#3)	CL	P1-S	N,S
	U-Factor 0.29			SHGC (N / <1) 0.36 / 0.33				VT (N / <1) 0.54 / 0.48			CR 59		
	142.294 SH / Opt 4 (No Refo, Foam): 70/36 / arg / lami (DS/DS 090 DS) 3/4" IG												
	0.117	0.345	0.264						ARG90	0.036(#2)	CL	P1-S	N,S
	U-Factor 0.29			SHGC (N / <1) 0.30 / 0.27				VT (N / <1) 0.54 / 0.48			CR 59		
1350	142.294 SH / Opt 4 (No Refo, Foam): lami / arg / 70/36 (DS 090 DS/DS) 3/4" IG												
	0.264	0.345	0.117						ARG90	0.036(#3)	CL	P1-S	G,S
	U-Factor 0.30			SHGC (<1) 0.33				VT (<1) 0.48			CR 59		
	142.294 SH / Opt 4 (No Refo, Foam): 70/36 / arg / lami (DS/DS 090 DS) 3/4" IG												
	0.117	0.345	0.264						ARG90	0.036(#2)	CL	P1-S	G,S
	U-Factor 0.30			SHGC (<1) 0.27				VT (<1) 0.48			CR 59		

**NFRC 100/200/500 Summary Sheet
Windgate/Belmont/Stormgate Single Hung**

ID	Pane Thickness 1	Gap Width 1	Pane Thickness 2	Gap Width 2	Pane Thickness 3	Gap Width 3	Pane Thickness 4	Gap Fill	Low-e (Surface#)	Tint	Spacer	Grid Type
	U-Factor			Solar Heat Gain Coefficient (SHGC) Grids (None / <1 / >=1)				Visible Transmittance (VT) Grids (None / <1 / >=1)			Condensation Resistance	
1351	142.294 SH / Opt 4 (No Refo, Foam): 70/36 / arg / clr / arg / 70/36 (SS/SS/SS) 3/4" IG											
	0.090	0.250	0.090	0.250	0.090			ARG90	0.036(#2) / 0.036(#5)	CL	P1-S	N,S
	U-Factor 0.23			SHGC (N / <1) 0.26 / 0.24				VT (N / <1) 0.43 / 0.39			CR 69	
1352	142.294 SH / Opt 4 (No Refo, Foam): 70/36 / arg / clr / arg / 70/36 (SS/SS/SS) 3/4" IG											
	0.090	0.250	0.090	0.250	0.090			ARG90	0.036(#2) / 0.036(#5)	CL	P1-S	G,S
	U-Factor 0.24			SHGC (<1) 0.24				VT (<1) 0.39			CR 69	
1353	142.294 SH / Opt 4 (No Refo, Foam): 80/70 / air / clr (SS/SS) 3/4" IG											
	0.090	0.563	0.090					AIR	0.095(#2)	CL	P1-S	N,G,S
	U-Factor 0.32			SHGC (N / <1) 0.53 / 0.48				VT (N / <1) 0.64 / 0.57			CR 57	
	142.294 SH / Opt 4 (No Refo, Foam): clr / air / 80/70 (SS/SS) 3/4" IG											
	0.090	0.563	0.090					AIR	0.095(#3)	CL	P1-S	N,G,S
	U-Factor 0.32			SHGC (N / <1) 0.56 / 0.50				VT (N / <1) 0.64 / 0.57			CR 57	
1354	142.294 SH / Opt 4 (No Refo, Foam): 80/70 / arg / clr (SS/SS) 3/4" IG											
	0.090	0.563	0.090					ARG90	0.095(#2)	CL	P1-S	N,G,S
	U-Factor 0.28			SHGC (N / <1) 0.53 / 0.48				VT (N / <1) 0.64 / 0.57			CR 61	
	142.294 SH / Opt 4 (No Refo, Foam): clr / arg / 80/70 (SS/SS) 3/4" IG											
	0.090	0.563	0.090					ARG90	0.095(#3)	CL	P1-S	N,G,S
	U-Factor 0.28			SHGC (N / <1) 0.56 / 0.50				VT (N / <1) 0.64 / 0.57			CR 61	
1355	142.294 SH / Opt 4 (No Refo, Foam): 80/70 / air / clr (DS/DS) 3/4" IG											
	0.117	0.500	0.117					AIR	0.095(#2)	CL	P1-S	N,G,S
	U-Factor 0.32			SHGC (N / <1) 0.52 / 0.47				VT (N / <1) 0.63 / 0.57			CR 56	
	142.294 SH / Opt 4 (No Refo, Foam): clr / air / 80/70 (DS/DS) 3/4" IG											
	0.117	0.500	0.117					AIR	0.095(#3)	CL	P1-S	N,G,S
	U-Factor 0.32			SHGC (N / <1) 0.55 / 0.50				VT (N / <1) 0.63 / 0.57			CR 56	
1356	142.294 SH / Opt 4 (No Refo, Foam): 80/70 / arg / clr (DS/DS) 3/4" IG											
	0.117	0.500	0.117					ARG90	0.095(#2)	CL	P1-S	N,G,S
	U-Factor 0.28			SHGC (N / <1) 0.52 / 0.47				VT (N / <1) 0.63 / 0.57			CR 60	
	142.294 SH / Opt 4 (No Refo, Foam): clr / arg / 80/70 (DS/DS) 3/4" IG											
	0.117	0.500	0.117					ARG90	0.095(#3)	CL	P1-S	N,G,S
	U-Factor 0.28			SHGC (N / <1) 0.55 / 0.50				VT (N / <1) 0.63 / 0.57			CR 60	

**NFRC 100/200/500 Summary Sheet
 Windgate/Belmont/Stormgate Single Hung**

ID	Pane Thickness 1	Gap Width 1	Pane Thickness 2	Gap Width 2	Pane Thickness 3	Gap Width 3	Pane Thickness 4	Gap Width 4	Gap Fill	Low-e (Surface#)	Tint	Spacer	Grid Type
	U-Factor			Solar Heat Gain Coefficient (SHGC) Grids (None / <1 / >=1)					Visible Transmittance (VT) Grids (None / <1 / >=1)			Condensation Resistance	
1357	142.294 SH / Opt 4 (No Refo, Foam): lami / arg / 80/70 (DS 090 DS/DS) 3/4" IG												
	0.264	0.345	0.117						ARG90	0.095(#3)	CL	P1-S	N,S
	U-Factor 0.30			SHGC (N / <1) 0.51 / 0.46					VT (N / <1) 0.62 / 0.56			CR	58
	142.294 SH / Opt 4 (No Refo, Foam): 80/70 / arg / lami (DS/DS 090 DS) 3/4" IG												
	0.117	0.345	0.264						ARG90	0.095(#2)	CL	P1-S	N,S
	U-Factor 0.30			SHGC (N / <1) 0.51 / 0.46					VT (N / <1) 0.62 / 0.56			CR	58
1358	142.294 SH / Opt 4 (No Refo, Foam): lami / arg / 80/70 (DS 090 DS/DS) 3/4" IG												
	0.264	0.345	0.117						ARG90	0.095(#3)	CL	P1-S	G,S
	U-Factor 0.32			SHGC (<1) 0.46					VT (<1) 0.56			CR	58
	142.294 SH / Opt 4 (No Refo, Foam): 80/70 / arg / lami (DS/DS 090 DS) 3/4" IG												
	0.117	0.345	0.264						ARG90	0.095(#2)	CL	P1-S	G,S
	U-Factor 0.32			SHGC (<1) 0.46					VT (<1) 0.56			CR	58
1359	142.294 SH / Opt 4 (No Refo, Foam): 80/70 / arg / clr / arg / 80/70 (SS/SS/SS) 3/4" IG												
	0.090	0.250	0.090	0.250	0.090				ARG90	0.095(#2) / 0.095(#5)	CL	P1-S	N,S
	U-Factor 0.24			SHGC (N / <1) 0.47 / 0.42					VT (N / <1) 0.58 / 0.51			CR	68
1360	142.294 SH / Opt 4 (No Refo, Foam): 80/70 / arg / clr / arg / 80/70 (SS/SS/SS) 3/4" IG												
	0.090	0.250	0.090	0.250	0.090				ARG90	0.095(#2) / 0.095(#5)	CL	P1-S	G,S
	U-Factor 0.25			SHGC (<1) 0.42					VT (<1) 0.51			CR	68
1361	142.294 SH / Opt 4 (No Refo, Foam): clr / air / clr (SS/SS) 3/4" IG												
	0.087	0.563	0.087						AIR		CL	SS-D	N,G,S
	U-Factor 0.45			SHGC (N / <1) 0.63 / 0.56					VT (N / <1) 0.65 / 0.58			CR	45
1362	142.294 SH / Opt 4 (No Refo, Foam): clr / air / clr (DS/DS) 3/4" IG												
	0.118	0.500	0.118						AIR		CL	SS-D	N,G,S
	U-Factor 0.45			SHGC (N / <1) 0.61 / 0.55					VT (N / <1) 0.65 / 0.58			CR	44
1363	142.294 SH / Opt 4 (No Refo, Foam): clr / air / clr (5mm/DS) 3/4" IG												
	0.185	0.438	0.118						AIR		CL	SS-D	N,G,S
	U-Factor 0.46			SHGC (N / <1) 0.59 / 0.53					VT (N / <1) 0.64 / 0.57			CR	44
1364	142.294 SH / Opt 4 (No Refo, Foam): clr / air / clr (5mm/DS) 3/4" IG												
	0.185	0.438	0.118						AIR		CL	SS-D	G
	U-Factor 0.46			SHGC (<1) 0.53					VT (<1) 0.57			CR	44

**NFRC 100/200/500 Summary Sheet
 Windgate/Belmont/Stormgate Single Hung**

ID	Pane Thickness 1	Gap Width 1	Pane Thickness 2	Gap Width 2	Pane Thickness 3	Gap Width 3	Pane Thickness 4	Gap Width 4	Gap Fill	Low-e (Surface#)	Tint	Spacer	Grid Type
	U-Factor			Solar Heat Gain Coefficient (SHGC) Grids (None / <1 / >=1)					Visible Transmittance (VT) Grids (None / <1 / >=1)			Condensation Resistance	
1365	142.294 SH / Opt 4 (No Refo, Foam): lami / air / clr (DS 090 DS/DS) 3/4" IG												
	0.264	0.345	0.118						AIR		CL	SS-D	N,S
	U-Factor 0.47			SHGC (N / <1) 0.56 / 0.51					VT (N / <1) 0.63 / 0.57			CR 43	
	142.294 SH / Opt 4 (No Refo, Foam): clr / air / lami (DS/DS 090 DS) 3/4" IG												
	0.118	0.345	0.264						AIR		CL	SS-D	N,S
	U-Factor 0.47			SHGC (N / <1) 0.59 / 0.53					VT (N / <1) 0.63 / 0.57			CR 43	
1366	142.294 SH / Opt 4 (No Refo, Foam): lami / air / clr (DS 090 DS/DS) 3/4" IG												
	0.264	0.345	0.118						AIR		CL	SS-D	G,S
	U-Factor 0.48			SHGC (<1) 0.51					VT (<1) 0.57			CR 43	
	142.294 SH / Opt 4 (No Refo, Foam): clr / air / lami (DS/DS 090 DS) 3/4" IG												
	0.118	0.345	0.264						AIR		CL	SS-D	G,S
	U-Factor 0.48			SHGC (<1) 0.53					VT (<1) 0.57			CR 43	
1367	142.294 SH / Opt 4 (No Refo, Foam): clr / air / clr / air / clr (SS/SS/SS) 3/4" IG (P1-S)												
	0.087	0.250	0.087	0.250	0.087				AIR		CL	SS-D	N,S
	U-Factor 0.37			SHGC (N / <1) 0.57 / 0.51					VT (N / <1) 0.60 / 0.54			CR 53	
1368	142.294 SH / Opt 4 (No Refo, Foam): clr / air / clr / air / clr (SS/SS/SS) 3/4" IG (P1-S)												
	0.087	0.250	0.087	0.250	0.087				AIR		CL	SS-D	G,S
	U-Factor 0.38			SHGC (<1) 0.51					VT (<1) 0.54			CR 53	
1369	142.294 SH / Opt 4 (No Refo, Foam): E270 / air / clr (SS/SS) 3/4" IG												
	0.087	0.563	0.087						AIR	0.037(#2)	CL	SS-D	N,G,S
	U-Factor 0.31			SHGC (N / <1) 0.30 / 0.27					VT (N / <1) 0.55 / 0.49			CR 56	
	142.294 SH / Opt 4 (No Refo, Foam): clr / air / E270 (SS/SS) 3/4" IG												
	0.087	0.563	0.087						AIR	0.037(#3)	CL	SS-D	N,G,S
	U-Factor 0.31			SHGC (N / <1) 0.37 / 0.33					VT (N / <1) 0.55 / 0.49			CR 56	
1370	142.294 SH / Opt 4 (No Refo, Foam): E270 / arg / clr (SS/SS) 3/4" IG												
	0.087	0.563	0.087						ARG90	0.037(#2)	CL	SS-D	N,G,S
	U-Factor 0.28			SHGC (N / <1) 0.29 / 0.26					VT (N / <1) 0.55 / 0.49			CR 59	
	142.294 SH / Opt 4 (No Refo, Foam): clr / arg / E270 (SS/SS) 3/4" IG												
	0.087	0.563	0.087						ARG90	0.037(#3)	CL	SS-D	N,G,S
	U-Factor 0.28			SHGC (N / <1) 0.37 / 0.33					VT (N / <1) 0.55 / 0.49			CR 59	

**NFRC 100/200/500 Summary Sheet
 Windgate/Belmont/Stormgate Single Hung**

ID	Pane Thickness 1	Gap Width 1	Pane Thickness 2	Gap Width 2	Pane Thickness 3	Gap Width 3	Pane Thickness 4	Gap Fill	Low-e (Surface#)	Tint	Spacer	Grid Type
	U-Factor			Solar Heat Gain Coefficient (SHGC) Grids (None / <1 / >=1)				Visible Transmittance (VT) Grids (None / <1 / >=1)			Condensation Resistance	
1371	142.294 SH / Opt 4 (No Refo, Foam): E270 / air / clr (DS/DS) 3/4" IG											
	0.118	0.500	0.118					AIR	0.037(#2)	CL	SS-D	N,G,S
	U-Factor 0.31			SHGC (N / <1) 0.30 / 0.27				VT (N / <1) 0.55 / 0.49			CR 55	
	142.294 SH / Opt 4 (No Refo, Foam): clr / air / E270 (DS/DS) 3/4" IG											
	0.118	0.500	0.118					AIR	0.037(#3)	CL	SS-D	N,G,S
	U-Factor 0.31			SHGC (N / <1) 0.36 / 0.33				VT (N / <1) 0.55 / 0.49			CR 55	
1372	142.294 SH / Opt 4 (No Refo, Foam): E270 / arg / clr (DS/DS) 3/4" IG											
	0.118	0.500	0.118					ARG90	0.037(#2)	CL	SS-D	N,G,S
	U-Factor 0.27			SHGC (N / <1) 0.29 / 0.26				VT (N / <1) 0.55 / 0.49			CR 59	
	142.294 SH / Opt 4 (No Refo, Foam): clr / arg / E270 (DS/DS) 3/4" IG											
	0.118	0.500	0.118					ARG90	0.037(#3)	CL	SS-D	N,G,S
	U-Factor 0.27			SHGC (N / <1) 0.36 / 0.33				VT (N / <1) 0.55 / 0.49			CR 59	
1373	142.294 SH / Opt 4 (No Refo, Foam): lami / arg / E270 (DS 090 DS/DS) 3/4" IG											
	0.264	0.345	0.118					ARG90	0.037(#3)	CL	SS-D	N,S
	U-Factor 0.30			SHGC (N / <1) 0.35 / 0.31				VT (N / <1) 0.54 / 0.48			CR 56	
	142.294 SH / Opt 4 (No Refo, Foam): E270 / arg / lami (DS/DS 090 DS) 3/4" IG											
	0.118	0.345	0.264					ARG90	0.037(#2)	CL	SS-D	N,S
	U-Factor 0.30			SHGC (N / <1) 0.29 / 0.26				VT (N / <1) 0.54 / 0.48			CR 56	
1374	142.294 SH / Opt 4 (No Refo, Foam): lami / arg / E270 (DS 090 DS/DS) 3/4" IG											
	0.264	0.345	0.118					ARG90	0.037(#3)	CL	SS-D	G,S
	U-Factor 0.31			SHGC (<1) 0.31				VT (<1) 0.48			CR 56	
	142.294 SH / Opt 4 (No Refo, Foam): E270 / arg / lami (DS/DS 090 DS) 3/4" IG											
	0.118	0.345	0.264					ARG90	0.037(#2)	CL	SS-D	G,S
	U-Factor 0.31			SHGC (<1) 0.26				VT (<1) 0.48			CR 56	
1375	142.294 SH / Opt 4 (No Refo, Foam): E270 / arg / clr / arg / E270 (SS/SS/SS) 3/4" IG (SS-D)											
	0.087	0.266	0.087	0.266	0.087			ARG90	0.037(#2) / 0.037(#5)	CL	SS-D	N,S
	U-Factor 0.23			SHGC (N / <1) 0.25 / 0.23				VT (N / <1) 0.43 / 0.39			CR 67	
1376	142.294 SH / Opt 4 (No Refo, Foam): E270 / arg / clr / arg / E270 (SS/SS/SS) 3/4" IG (SS-D)											
	0.087	0.266	0.087	0.266	0.087			ARG90	0.037(#2) / 0.037(#5)	CL	SS-D	G,S
	U-Factor 0.24			SHGC (<1) 0.23				VT (<1) 0.39			CR 67	

**NFRC 100/200/500 Summary Sheet
Windgate/Belmont/Stormgate Single Hung**

ID	Pane Thickness 1	Gap Width 1	Pane Thickness 2	Gap Width 2	Pane Thickness 3	Gap Width 3	Pane Thickness 4	Gap Fill	Low-e (Surface#)	Tint	Spacer	Grid Type
	U-Factor			Solar Heat Gain Coefficient (SHGC) Grids (None / <1 / >=1)				Visible Transmittance (VT) Grids (None / <1 / >=1)			Condensation Resistance	
1377	142.294 SH / Opt 4 (No Refo, Foam): E366 / air / clr (SS/SS) 3/4" IG											
	0.087	0.563	0.087					AIR	0.022(#2)	CL	SS-D	N,G,S
	U-Factor 0.31			SHGC (N / <1) 0.22 / 0.20				VT (N / <1) 0.51 / 0.46			CR	56
	142.294 SH / Opt 4 (No Refo, Foam): clr / air / E366 (SS/SS) 3/4" IG											
	0.087	0.563	0.087					AIR	0.022(#3)	CL	SS-D	N,G,S
	U-Factor 0.31			SHGC (N / <1) 0.31 / 0.28				VT (N / <1) 0.51 / 0.46			CR	56
1378	142.294 SH / Opt 4 (No Refo, Foam): E366 / arg / clr (SS/SS) 3/4" IG											
	0.087	0.563	0.087					ARG90	0.022(#2)	CL	SS-D	N,G,S
	U-Factor 0.27			SHGC (N / <1) 0.22 / 0.20				VT (N / <1) 0.51 / 0.46			CR	60
	142.294 SH / Opt 4 (No Refo, Foam): clr / arg / E366 (SS/SS) 3/4" IG											
	0.087	0.563	0.087					ARG90	0.022(#3)	CL	SS-D	N,G,S
	U-Factor 0.27			SHGC (N / <1) 0.31 / 0.28				VT (N / <1) 0.51 / 0.46			CR	60
1379	142.294 SH / Opt 4 (No Refo, Foam): E366 / air / clr (DS/DS) 3/4" IG											
	0.117	0.500	0.118					AIR	0.022(#2)	CL	SS-D	N,G,S
	U-Factor 0.31			SHGC (N / <1) 0.22 / 0.20				VT (N / <1) 0.51 / 0.45			CR	55
	142.294 SH / Opt 4 (No Refo, Foam): clr / air / E366 (DS/DS) 3/4" IG											
	0.118	0.500	0.117					AIR	0.022(#3)	CL	SS-D	N,G,S
	U-Factor 0.31			SHGC (N / <1) 0.30 / 0.28				VT (N / <1) 0.51 / 0.45			CR	55
1380	142.294 SH / Opt 4 (No Refo, Foam): E366 / arg / clr (DS/DS) 3/4" IG											
	0.117	0.500	0.118					ARG90	0.022(#2)	CL	SS-D	N,G,S
	U-Factor 0.27			SHGC (N / <1) 0.22 / 0.20				VT (N / <1) 0.51 / 0.45			CR	59
	142.294 SH / Opt 4 (No Refo, Foam): clr / arg / E366 (DS/DS) 3/4" IG											
	0.118	0.500	0.117					ARG90	0.022(#3)	CL	SS-D	N,G,S
	U-Factor 0.27			SHGC (N / <1) 0.31 / 0.28				VT (N / <1) 0.51 / 0.45			CR	59
1381	142.294 SH / Opt 4 (No Refo, Foam): lami / arg / E366 (DS 090 DS/DS) 3/4" IG											
	0.264	0.345	0.117					ARG90	0.022(#3)	CL	SS-D	N,S
	U-Factor 0.29			SHGC (N / <1) 0.29 / 0.27				VT (N / <1) 0.50 / 0.44			CR	57
	142.294 SH / Opt 4 (No Refo, Foam): E366 / arg / lami (DS/DS 090 DS) 3/4" IG											
	0.117	0.345	0.264					ARG90	0.022(#2)	CL	SS-D	N,S
	U-Factor 0.29			SHGC (N / <1) 0.22 / 0.20				VT (N / <1) 0.50 / 0.44			CR	57

**NFRC 100/200/500 Summary Sheet
 Windgate/Belmont/Stormgate Single Hung**

ID	Pane Thickness 1	Gap Width 1	Pane Thickness 2	Gap Width 2	Pane Thickness 3	Gap Width 3	Pane Thickness 4	Gap Fill	Low-e (Surface#)	Tint	Spacer	Grid Type
	U-Factor			Solar Heat Gain Coefficient (SHGC) Grids (None / <1 / >=1)				Visible Transmittance (VT) Grids (None / <1 / >=1)			Condensation Resistance	
1382	142.294 SH / Opt 4 (No Refo, Foam): lami / arg / E366 (DS 090 DS/DS) 3/4" IG											
	0.264	0.345	0.117					ARG90	0.022(#3)	CL	SS-D	G,S
	U-Factor 0.31			SHGC (<1) 0.27				VT (<1) 0.44			CR 57	
	142.294 SH / Opt 4 (No Refo, Foam): E366 / arg / lami (DS/DS 090 DS) 3/4" IG											
	0.117	0.345	0.264					ARG90	0.022(#2)	CL	SS-D	G,S
	U-Factor 0.31			SHGC (<1) 0.20				VT (<1) 0.44			CR 57	
1383	142.294 SH / Opt 4 (No Refo, Foam): E366 / arg / clr / arg / E366 (SS/SS/SS) 3/4" IG (SS-D)											
	0.087	0.266	0.087	0.266	0.087			ARG90	0.022(#2) / 0.022(#5)	CL	SS-D	N,S
	U-Factor 0.23			SHGC (N / <1) 0.19 / 0.17				VT (N / <1) 0.37 / 0.33			CR 67	
1384	142.294 SH / Opt 4 (No Refo, Foam): E366 / arg / clr / arg / E366 (SS/SS/SS) 3/4" IG (SS-D)											
	0.087	0.266	0.087	0.266	0.087			ARG90	0.022(#2) / 0.022(#5)	CL	SS-D	G,S
	U-Factor 0.23			SHGC (<1) 0.17				VT (<1) 0.33			CR 67	
1385	142.294 SH / Opt 4 (No Refo, Foam): clr / air / clr (SS/SS) 3/4" IG											
	0.087	0.563	0.087					AIR		CL	TS-D	N,G,S
	U-Factor 0.45			SHGC (N / <1) 0.63 / 0.56				VT (N / <1) 0.65 / 0.58			CR 44	
1386	142.294 SH / Opt 4 (No Refo, Foam): clr / air / clr (DS/DS) 3/4" IG											
	0.118	0.500	0.118					AIR		CL	TS-D	N,G,S
	U-Factor 0.45			SHGC (N / <1) 0.61 / 0.55				VT (N / <1) 0.65 / 0.58			CR 43	
1387	142.294 SH / Opt 4 (No Refo, Foam): clr / air / clr (5mm/DS) 3/4" IG											
	0.185	0.438	0.118					AIR		CL	TS-D	N,G,S
	U-Factor 0.46			SHGC (N / <1) 0.59 / 0.53				VT (N / <1) 0.64 / 0.57			CR 43	
1388	142.294 SH / Opt 4 (No Refo, Foam): clr / air / clr (5mm/DS) 3/4" IG											
	0.185	0.438	0.118					AIR		CL	TS-D	G
	U-Factor 0.46			SHGC (<1) 0.53				VT (<1) 0.57			CR 43	
1389	142.294 SH / Opt 4 (No Refo, Foam): lami / air / clr (DS 090 DS/DS) 3/4" IG											
	0.264	0.345	0.118					AIR		CL	TS-D	N,S
	U-Factor 0.47			SHGC (N / <1) 0.56 / 0.51				VT (N / <1) 0.63 / 0.57			CR 42	
	142.294 SH / Opt 4 (No Refo, Foam): clr / air / lami (DS/DS 090 DS) 3/4" IG											
	0.118	0.345	0.264					AIR		CL	TS-D	N,S
	U-Factor 0.47			SHGC (N / <1) 0.59 / 0.53				VT (N / <1) 0.63 / 0.57			CR 42	

**NFRC 100/200/500 Summary Sheet
Windgate/Belmont/Stormgate Single Hung**

ID	Pane Thickness 1	Gap Width 1	Pane Thickness 2	Gap Width 2	Pane Thickness 3	Gap Width 3	Pane Thickness 4	Gap Fill	Low-e (Surface#)	Tint	Spacer	Grid Type
	U-Factor			Solar Heat Gain Coefficient (SHGC) Grids (None / <1 / >=1)				Visible Transmittance (VT) Grids (None / <1 / >=1)			Condensation Resistance	
1390	142.294 SH / Opt 4 (No Refo, Foam): lami / air / clr (DS/DS 090 DS) 3/4" IG											
	0.264	0.345	0.118					AIR		CL	TS-D	G,S
	U-Factor 0.48			SHGC (<1) 0.51				VT (<1) 0.57			CR 42	
	142.294 SH / Opt 4 (No Refo, Foam): clr / air / lami (DS/DS 090 DS) 3/4" IG											
	0.118	0.345	0.264					AIR		CL	TS-D	G,S
	U-Factor 0.48			SHGC (<1) 0.53				VT (<1) 0.57			CR 42	
1391	142.294 SH / Opt 4 (No Refo, Foam): clr / air / clr / air / clr (SS/SS/SS) 3/4" IG (P1-S)											
	0.087	0.250	0.087	0.250	0.087			AIR		CL	TS-D	N,S
	U-Factor 0.38			SHGC (N / <1) 0.57 / 0.51				VT (N / <1) 0.60 / 0.54			CR 52	
1392	142.294 SH / Opt 4 (No Refo, Foam): clr / air / clr / air / clr (SS/SS/SS) 3/4" IG (P1-S)											
	0.087	0.250	0.087	0.250	0.087			AIR		CL	TS-D	G,S
	U-Factor 0.39			SHGC (<1) 0.51				VT (<1) 0.54			CR 52	
1393	142.294 SH / Opt 4 (No Refo, Foam): 70/36 / air / clr (SS/SS) 3/4" IG											
	0.090	0.563	0.090					AIR	0.036(#2)	CL	TS-D	N,G,S
	U-Factor 0.32			SHGC (N / <1) 0.31 / 0.28				VT (N / <1) 0.55 / 0.49			CR 55	
	142.294 SH / Opt 4 (No Refo, Foam): clr / air / 70/36 (SS/SS) 3/4" IG											
	0.090	0.563	0.090					AIR	0.036(#3)	CL	TS-D	N,G,S
	U-Factor 0.32			SHGC (N / <1) 0.39 / 0.35				VT (N / <1) 0.55 / 0.49			CR 55	
1394	142.294 SH / Opt 4 (No Refo, Foam): 70/36 / arg / clr (SS/SS) 3/4" IG											
	0.090	0.563	0.090					ARG90	0.036(#2)	CL	TS-D	N,G,S
	U-Factor 0.28			SHGC (N / <1) 0.31 / 0.28				VT (N / <1) 0.55 / 0.49			CR 58	
	142.294 SH / Opt 4 (No Refo, Foam): clr / arg / 70/36 (SS/SS) 3/4" IG											
	0.090	0.563	0.090					ARG90	0.036(#3)	CL	TS-D	N,G,S
	U-Factor 0.28			SHGC (N / <1) 0.39 / 0.35				VT (N / <1) 0.55 / 0.49			CR 58	
1395	142.294 SH / Opt 4 (No Refo, Foam): 70/36 / air / clr (DS/DS) 3/4" IG											
	0.117	0.500	0.117					AIR	0.036(#2)	CL	TS-D	N,G,S
	U-Factor 0.31			SHGC (N / <1) 0.31 / 0.28				VT (N / <1) 0.55 / 0.49			CR 54	
	142.294 SH / Opt 4 (No Refo, Foam): clr / air / 70/36 (DS/DS) 3/4" IG											
	0.117	0.500	0.117					AIR	0.036(#3)	CL	TS-D	N,G,S
	U-Factor 0.31			SHGC (N / <1) 0.38 / 0.34				VT (N / <1) 0.55 / 0.49			CR 54	

**NFRC 100/200/500 Summary Sheet
Windgate/Belmont/Stormgate Single Hung**

ID	Pane Thickness 1	Gap Width 1	Pane Thickness 2	Gap Width 2	Pane Thickness 3	Gap Width 3	Pane Thickness 4	Gap Width 4	Gap Fill	Low-e (Surface#)	Tint	Spacer	Grid Type
	U-Factor			Solar Heat Gain Coefficient (SHGC) Grids (None / <1 / >=1)					Visible Transmittance (VT) Grids (None / <1 / >=1)			Condensation Resistance	
1396	142.294 SH / Opt 4 (No Refo, Foam): 70/36 / arg / clr (DS/DS) 3/4" IG												
	0.117	0.500	0.117						ARG90	0.036(#2)	CL	TS-D	N,G,S
	U-Factor 0.28			SHGC (N / <1) 0.30 / 0.27					VT (N / <1) 0.55 / 0.49			CR 57	
	142.294 SH / Opt 4 (No Refo, Foam): clr / arg / 70/36 (DS/DS) 3/4" IG												
	0.117	0.500	0.117						ARG90	0.036(#3)	CL	TS-D	N,G,S
	U-Factor 0.28			SHGC (N / <1) 0.38 / 0.35					VT (N / <1) 0.55 / 0.49			CR 57	
1397	142.294 SH / Opt 4 (No Refo, Foam): lami / arg / 70/36 (DS 090 DS/DS) 3/4" IG												
	0.264	0.345	0.117						ARG90	0.036(#3)	CL	TS-D	N,S
	U-Factor 0.30			SHGC (N / <1) 0.36 / 0.33					VT (N / <1) 0.54 / 0.48			CR 55	
	142.294 SH / Opt 4 (No Refo, Foam): 70/36 / arg / lami (DS/DS 090 DS) 3/4" IG												
	0.117	0.345	0.264						ARG90	0.036(#2)	CL	TS-D	N,S
	U-Factor 0.30			SHGC (N / <1) 0.30 / 0.27					VT (N / <1) 0.54 / 0.48			CR 55	
1398	142.294 SH / Opt 4 (No Refo, Foam): lami / arg / 70/36 (DS 090 DS/DS) 3/4" IG												
	0.264	0.345	0.117						ARG90	0.036(#3)	CL	TS-D	G,S
	U-Factor 0.31			SHGC (<1) 0.33					VT (<1) 0.48			CR 55	
	142.294 SH / Opt 4 (No Refo, Foam): 70/36 / arg / lami (DS/DS 090 DS) 3/4" IG												
	0.117	0.345	0.264						ARG90	0.036(#2)	CL	TS-D	G,S
	U-Factor 0.31			SHGC (<1) 0.27					VT (<1) 0.48			CR 55	
1399	142.294 SH / Opt 4 (No Refo, Foam): 70/36 / arg / clr / arg / 70/36 (SS/SS/SS) 3/4" IG												
	0.090	0.250	0.090	0.250	0.090				ARG90	0.036(#2) / 0.036(#5)	CL	TS-D	N,S
	U-Factor 0.24			SHGC (N / <1) 0.26 / 0.24					VT (N / <1) 0.43 / 0.39			CR 64	
1400	142.294 SH / Opt 4 (No Refo, Foam): 70/36 / arg / clr / arg / 70/36 (SS/SS/SS) 3/4" IG												
	0.090	0.250	0.090	0.250	0.090				ARG90	0.036(#2) / 0.036(#5)	CL	TS-D	G,S
	U-Factor 0.25			SHGC (<1) 0.24					VT (<1) 0.39			CR 64	
1401	142.294 SH / Opt 4 (No Refo, Foam): 80/70 / air / clr (SS/SS) 3/4" IG												
	0.090	0.563	0.090						AIR	0.095(#2)	CL	TS-D	N,G,S
	U-Factor 0.33			SHGC (N / <1) 0.53 / 0.48					VT (N / <1) 0.64 / 0.57			CR 54	
	142.294 SH / Opt 4 (No Refo, Foam): clr / air / 80/70 (SS/SS) 3/4" IG												
	0.090	0.563	0.090						AIR	0.095(#3)	CL	TS-D	N,G,S
	U-Factor 0.33			SHGC (N / <1) 0.56 / 0.50					VT (N / <1) 0.64 / 0.57			CR 54	

**NFRC 100/200/500 Summary Sheet
Windgate/Belmont/Stormgate Single Hung**

ID	Pane Thickness 1	Gap Width 1	Pane Thickness 2	Gap Width 2	Pane Thickness 3	Gap Width 3	Pane Thickness 4	Gap Width 4	Gap Fill	Low-e (Surface#)	Tint	Spacer	Grid Type
	U-Factor			Solar Heat Gain Coefficient (SHGC) Grids (None / <1 / >=1)				Visible Transmittance (VT) Grids (None / <1 / >=1)			Condensation Resistance		
1402	142.294 SH / Opt 4 (No Refo, Foam): 80/70 / arg / clr (SS/SS) 3/4" IG												
	0.090	0.563	0.090						ARG90	0.095(#2)	CL	TS-D	N,G,S
	U-Factor 0.30			SHGC (N / <1) 0.53 / 0.48				VT (N / <1) 0.64 / 0.57			CR	57	
	142.294 SH / Opt 4 (No Refo, Foam): clr / arg / 80/70 (SS/SS) 3/4" IG												
	0.090	0.563	0.090						ARG90	0.095(#3)	CL	TS-D	N,G,S
	U-Factor 0.30			SHGC (N / <1) 0.56 / 0.50				VT (N / <1) 0.64 / 0.57			CR	57	
1403	142.294 SH / Opt 4 (No Refo, Foam): 80/70 / air / clr (DS/DS) 3/4" IG												
	0.117	0.500	0.117						AIR	0.095(#2)	CL	TS-D	N,G,S
	U-Factor 0.33			SHGC (N / <1) 0.52 / 0.47				VT (N / <1) 0.63 / 0.57			CR	53	
	142.294 SH / Opt 4 (No Refo, Foam): clr / air / 80/70 (DS/DS) 3/4" IG												
	0.117	0.500	0.117						AIR	0.095(#3)	CL	TS-D	N,G,S
	U-Factor 0.33			SHGC (N / <1) 0.55 / 0.50				VT (N / <1) 0.63 / 0.57			CR	53	
1404	142.294 SH / Opt 4 (No Refo, Foam): 80/70 / arg / clr (DS/DS) 3/4" IG												
	0.117	0.500	0.117						ARG90	0.095(#2)	CL	TS-D	N,G,S
	U-Factor 0.30			SHGC (N / <1) 0.52 / 0.47				VT (N / <1) 0.63 / 0.57			CR	56	
	142.294 SH / Opt 4 (No Refo, Foam): clr / arg / 80/70 (DS/DS) 3/4" IG												
	0.117	0.500	0.117						ARG90	0.095(#3)	CL	TS-D	N,G,S
	U-Factor 0.30			SHGC (N / <1) 0.55 / 0.50				VT (N / <1) 0.63 / 0.57			CR	56	
1405	142.294 SH / Opt 4 (No Refo, Foam): lami / arg / 80/70 (DS 090 DS/DS) 3/4" IG												
	0.264	0.345	0.117						ARG90	0.095(#3)	CL	TS-D	N,S
	U-Factor 0.31			SHGC (N / <1) 0.51 / 0.46				VT (N / <1) 0.62 / 0.56			CR	54	
	142.294 SH / Opt 4 (No Refo, Foam): 80/70 / arg / lami (DS/DS 090 DS) 3/4" IG												
	0.117	0.345	0.264						ARG90	0.095(#2)	CL	TS-D	N,S
	U-Factor 0.31			SHGC (N / <1) 0.51 / 0.46				VT (N / <1) 0.62 / 0.56			CR	54	
1406	142.294 SH / Opt 4 (No Refo, Foam): lami / arg / 80/70 (DS 090 DS/DS) 3/4" IG												
	0.264	0.345	0.117						ARG90	0.095(#3)	CL	TS-D	G,S
	U-Factor 0.33			SHGC (<1) 0.46				VT (<1) 0.56			CR	54	
	142.294 SH / Opt 4 (No Refo, Foam): 80/70 / arg / lami (DS/DS 090 DS) 3/4" IG												
	0.117	0.345	0.264						ARG90	0.095(#2)	CL	TS-D	G,S
	U-Factor 0.33			SHGC (<1) 0.46				VT (<1) 0.56			CR	54	

**NFRC 100/200/500 Summary Sheet
Windgate/Belmont/Stormgate Single Hung**

ID	Pane Thickness 1	Gap Width 1	Pane Thickness 2	Gap Width 2	Pane Thickness 3	Gap Width 3	Pane Thickness 4	Gap Fill	Low-e (Surface#)	Tint	Spacer	Grid Type
	U-Factor			Solar Heat Gain Coefficient (SHGC) Grids (None / <1 / >=1)				Visible Transmittance (VT) Grids (None / <1 / >=1)			Condensation Resistance	
1407	142.294 SH / Opt 4 (No Refo, Foam): 80/70 / arg / clr / arg / 80/70 (SS/SS/SS) 3/4" IG											
	0.090	0.250	0.090	0.250	0.090			ARG90	0.095(#2) / 0.095(#5)	CL	TS-D	N,S
	U-Factor 0.25			SHGC (N / <1) 0.47 / 0.42				VT (N / <1) 0.58 / 0.51			CR 63	
1408	142.294 SH / Opt 4 (No Refo, Foam): 80/70 / arg / clr / arg / 80/70 (SS/SS/SS) 3/4" IG											
	0.090	0.250	0.090	0.250	0.090			ARG90	0.095(#2) / 0.095(#5)	CL	TS-D	G,S
	U-Factor 0.26			SHGC (<1) 0.42				VT (<1) 0.51			CR 63	
1409	142.294 SH / Opt 5 (INN Refo LR/KR/BR, Foam): clr / air / clr (SS/SS) 3/4" IG											
	0.087	0.563	0.087					AIR		CL	P1-S	N,G,S
	U-Factor 0.44			SHGC (N / <1) 0.63 / 0.56				VT (N / <1) 0.65 / 0.58			CR 46	
1410	142.294 SH / Opt 5 (INN Refo LR/KR/BR, Foam): clr / air / clr (DS/DS) 3/4" IG											
	0.118	0.500	0.118					AIR		CL	P1-S	N,G,S
	U-Factor 0.44			SHGC (N / <1) 0.61 / 0.55				VT (N / <1) 0.65 / 0.58			CR 45	
1411	142.294 SH / Opt 5 (INN Refo LR/KR/BR, Foam): clr / air / clr (5mm/DS) 3/4" IG											
	0.185	0.438	0.118					AIR		CL	P1-S	N,G,S
	U-Factor 0.45			SHGC (N / <1) 0.59 / 0.53				VT (N / <1) 0.64 / 0.57			CR 45	
1412	142.294 SH / Opt 5 (INN Refo LR/KR/BR, Foam): clr / air / clr (5mm/DS) 3/4" IG											
	0.185	0.438	0.118					AIR		CL	P1-S	G
	U-Factor 0.45			SHGC (<1) 0.53				VT (<1) 0.57			CR 45	
1413	142.294 SH / Opt 5 (INN Refo LR/KR/BR, Foam): lami / air / clr (DS 090 DS/DS) 3/4" IG											
	0.264	0.345	0.118					AIR		CL	P1-S	N,S
	U-Factor 0.46			SHGC (N / <1) 0.56 / 0.51				VT (N / <1) 0.63 / 0.57			CR 44	
	142.294 SH / Opt 5 (INN Refo LR/KR/BR, Foam): clr / air / lami (DS/DS 090 DS) 3/4" IG											
	0.118	0.345	0.264					AIR		CL	P1-S	N,S
	U-Factor 0.46			SHGC (N / <1) 0.59 / 0.53				VT (N / <1) 0.63 / 0.57			CR 44	
1414	142.294 SH / Opt 5 (INN Refo LR/KR/BR, Foam): lami / air / clr (DS 090 DS/DS) 3/4" IG											
	0.264	0.345	0.118					AIR		CL	P1-S	G,S
	U-Factor 0.47			SHGC (<1) 0.51				VT (<1) 0.57			CR 44	
	142.294 SH / Opt 5 (INN Refo LR/KR/BR, Foam): clr / air / lami (DS/DS 090 DS) 3/4" IG											
	0.118	0.345	0.264					AIR		CL	P1-S	G,S
	U-Factor 0.47			SHGC (<1) 0.53				VT (<1) 0.57			CR 44	

**NFRC 100/200/500 Summary Sheet
 Windgate/Belmont/Stormgate Single Hung**

ID	Pane Thickness 1	Gap Width 1	Pane Thickness 2	Gap Width 2	Pane Thickness 3	Gap Width 3	Pane Thickness 4	Gap Fill	Low-e (Surface#)	Tint	Spacer	Grid Type
	U-Factor			Solar Heat Gain Coefficient (SHGC) Grids (None / <1 / >=1)				Visible Transmittance (VT) Grids (None / <1 / >=1)			Condensation Resistance	
1415	142.294 SH / Opt 5 (INN Refo LR/KR/BR, Foam): clr / air / clr / air / clr (SS/SS/SS) 3/4" IG (P1-S)											
	0.087	0.250	0.087	0.250	0.087			AIR		CL	P1-S	N,S
	U-Factor 0.37			SHGC (N / <1) 0.57 / 0.51				VT (N / <1) 0.60 / 0.54			CR	54
1416	142.294 SH / Opt 5 (INN Refo LR/KR/BR, Foam): clr / air / clr / air / clr (SS/SS/SS) 3/4" IG (P1-S)											
	0.087	0.250	0.087	0.250	0.087			AIR		CL	P1-S	G,S
	U-Factor 0.38			SHGC (<1) 0.51				VT (<1) 0.54			CR	54
1417	142.294 SH / Opt 5 (INN Refo LR/KR/BR, Foam): E270 / air / clr (SS/SS) 3/4" IG											
	0.087	0.563	0.087					AIR	0.037(#2)	CL	P1-S	N,G,S
	U-Factor 0.30			SHGC (N / <1) 0.30 / 0.27				VT (N / <1) 0.55 / 0.49			CR	58
	142.294 SH / Opt 5 (INN Refo LR/KR/BR, Foam): clr / air / E270 (SS/SS) 3/4" IG											
	0.087	0.563	0.087					AIR	0.037(#3)	CL	P1-S	N,G,S
	U-Factor 0.30			SHGC (N / <1) 0.37 / 0.33				VT (N / <1) 0.55 / 0.49			CR	58
1418	142.294 SH / Opt 5 (INN Refo LR/KR/BR, Foam): E270 / arg / clr (SS/SS) 3/4" IG											
	0.087	0.563	0.087					ARG90	0.037(#2)	CL	P1-S	N,G,S
	U-Factor 0.27			SHGC (N / <1) 0.29 / 0.26				VT (N / <1) 0.55 / 0.49			CR	63
	142.294 SH / Opt 5 (INN Refo LR/KR/BR, Foam): clr / arg / E270 (SS/SS) 3/4" IG											
	0.087	0.563	0.087					ARG90	0.037(#3)	CL	P1-S	N,G,S
	U-Factor 0.27			SHGC (N / <1) 0.37 / 0.33				VT (N / <1) 0.55 / 0.49			CR	63
1419	142.294 SH / Opt 5 (INN Refo LR/KR/BR, Foam): E270 / air / clr (DS/DS) 3/4" IG											
	0.118	0.500	0.118					AIR	0.037(#2)	CL	P1-S	N,G,S
	U-Factor 0.30			SHGC (N / <1) 0.30 / 0.27				VT (N / <1) 0.55 / 0.49			CR	57
	142.294 SH / Opt 5 (INN Refo LR/KR/BR, Foam): clr / air / E270 (DS/DS) 3/4" IG											
	0.118	0.500	0.118					AIR	0.037(#3)	CL	P1-S	N,G,S
	U-Factor 0.30			SHGC (N / <1) 0.36 / 0.33				VT (N / <1) 0.55 / 0.49			CR	57
1420	142.294 SH / Opt 5 (INN Refo LR/KR/BR, Foam): E270 / arg / clr (DS/DS) 3/4" IG											
	0.118	0.500	0.118					ARG90	0.037(#2)	CL	P1-S	N,G,S
	U-Factor 0.27			SHGC (N / <1) 0.29 / 0.26				VT (N / <1) 0.55 / 0.49			CR	62
	142.294 SH / Opt 5 (INN Refo LR/KR/BR, Foam): clr / arg / E270 (DS/DS) 3/4" IG											
	0.118	0.500	0.118					ARG90	0.037(#3)	CL	P1-S	N,G,S
	U-Factor 0.27			SHGC (N / <1) 0.36 / 0.33				VT (N / <1) 0.55 / 0.49			CR	62

**NFRC 100/200/500 Summary Sheet
Windgate/Belmont/Stormgate Single Hung**

ID	Pane Thickness 1	Gap Width 1	Pane Thickness 2	Gap Width 2	Pane Thickness 3	Gap Width 3	Pane Thickness 4	Gap Fill	Low-e (Surface#)	Tint	Spacer	Grid Type
	U-Factor			Solar Heat Gain Coefficient (SHGC) Grids (None / <1 / >=1)				Visible Transmittance (VT) Grids (None / <1 / >=1)			Condensation Resistance	
1421	142.294 SH / Opt 5 (INN Refo LR/KR/BR, Foam): lami / arg / E270 (DS 090 DS/DS) 3/4" IG											
	0.264	0.345	0.118					ARG90	0.037(#3)	CL	P1-S	N,S
	U-Factor 0.29			SHGC (N / <1) 0.35 / 0.31				VT (N / <1) 0.54 / 0.48			CR 59	
	142.294 SH / Opt 5 (INN Refo LR/KR/BR, Foam): E270 / arg / lami (DS/DS 090 DS) 3/4" IG											
	0.118	0.345	0.264					ARG90	0.037(#2)	CL	P1-S	N,S
	U-Factor 0.29			SHGC (N / <1) 0.29 / 0.26				VT (N / <1) 0.54 / 0.48			CR 59	
1422	142.294 SH / Opt 5 (INN Refo LR/KR/BR, Foam): lami / arg / E270 (DS 090 DS/DS) 3/4" IG											
	0.264	0.345	0.118					ARG90	0.037(#3)	CL	P1-S	G,S
	U-Factor 0.30			SHGC (<1) 0.31				VT (<1) 0.48			CR 59	
	142.294 SH / Opt 5 (INN Refo LR/KR/BR, Foam): E270 / arg / lami (DS/DS 090 DS) 3/4" IG											
	0.118	0.345	0.264					ARG90	0.037(#2)	CL	P1-S	G,S
	U-Factor 0.30			SHGC (<1) 0.26				VT (<1) 0.48			CR 59	
1423	142.294 SH / Opt 5 (INN Refo LR/KR/BR, Foam): E270 / arg / clr / arg / E270 (SS/SS/SS) 3/4" IG (P1-S)											
	0.087	0.250	0.087	0.250	0.087			ARG90	0.037(#2) / 0.037(#5)	CL	P1-S	N,S
	U-Factor 0.23			SHGC (N / <1) 0.25 / 0.23				VT (N / <1) 0.43 / 0.39			CR 69	
1424	142.294 SH / Opt 5 (INN Refo LR/KR/BR, Foam): E270 / arg / clr / arg / E270 (SS/SS/SS) 3/4" IG (P1-S)											
	0.087	0.250	0.087	0.250	0.087			ARG90	0.037(#2) / 0.037(#5)	CL	P1-S	G,S
	U-Factor 0.24			SHGC (<1) 0.23				VT (<1) 0.39			CR 69	
1425	142.294 SH / Opt 5 (INN Refo LR/KR/BR, Foam): E366 / air / clr (SS/SS) 3/4" IG											
	0.087	0.563	0.087					AIR	0.022(#2)	CL	P1-S	N,G,S
	U-Factor 0.30			SHGC (N / <1) 0.22 / 0.20				VT (N / <1) 0.51 / 0.46			CR 59	
	142.294 SH / Opt 5 (INN Refo LR/KR/BR, Foam): clr / air / E366 (SS/SS) 3/4" IG											
	0.087	0.563	0.087					AIR	0.022(#3)	CL	P1-S	N,G,S
	U-Factor 0.30			SHGC (N / <1) 0.31 / 0.28				VT (N / <1) 0.51 / 0.46			CR 59	
1426	142.294 SH / Opt 5 (INN Refo LR/KR/BR, Foam): E366 / arg / clr (SS/SS) 3/4" IG											
	0.087	0.563	0.087					ARG90	0.022(#2)	CL	P1-S	N,G,S
	U-Factor 0.26			SHGC (N / <1) 0.22 / 0.20				VT (N / <1) 0.51 / 0.46			CR 63	
	142.294 SH / Opt 5 (INN Refo LR/KR/BR, Foam): clr / arg / E366 (SS/SS) 3/4" IG											
	0.087	0.563	0.087					ARG90	0.022(#3)	CL	P1-S	N,G,S
	U-Factor 0.26			SHGC (N / <1) 0.31 / 0.28				VT (N / <1) 0.51 / 0.46			CR 63	

**NFRC 100/200/500 Summary Sheet
Windgate/Belmont/Stormgate Single Hung**

ID	Pane Thickness 1	Gap Width 1	Pane Thickness 2	Gap Width 2	Pane Thickness 3	Gap Width 3	Pane Thickness 4	Gap Fill	Low-e (Surface#)	Tint	Spacer	Grid Type
	U-Factor			Solar Heat Gain Coefficient (SHGC) Grids (None / <1 / >=1)				Visible Transmittance (VT) Grids (None / <1 / >=1)			Condensation Resistance	
1427	142.294 SH / Opt 5 (INN Refo LR/KR/BR, Foam): E366 / air / clr (DS/DS) 3/4" IG											
	0.117	0.500	0.118					AIR	0.022(#2)	CL	P1-S	N,G,S
	U-Factor 0.30			SHGC (N / <1) 0.22 / 0.20				VT (N / <1) 0.51 / 0.45			CR 58	
	142.294 SH / Opt 5 (INN Refo LR/KR/BR, Foam): clr / air / E366 (DS/DS) 3/4" IG											
	0.118	0.500	0.117					AIR	0.022(#3)	CL	P1-S	N,G,S
	U-Factor 0.30			SHGC (N / <1) 0.30 / 0.28				VT (N / <1) 0.51 / 0.45			CR 58	
1428	142.294 SH / Opt 5 (INN Refo LR/KR/BR, Foam): E366 / arg / clr (DS/DS) 3/4" IG											
	0.117	0.500	0.118					ARG90	0.022(#2)	CL	P1-S	N,G,S
	U-Factor 0.26			SHGC (N / <1) 0.22 / 0.20				VT (N / <1) 0.51 / 0.45			CR 62	
	142.294 SH / Opt 5 (INN Refo LR/KR/BR, Foam): clr / arg / E366 (DS/DS) 3/4" IG											
	0.118	0.500	0.117					ARG90	0.022(#3)	CL	P1-S	N,G,S
	U-Factor 0.26			SHGC (N / <1) 0.31 / 0.28				VT (N / <1) 0.51 / 0.45			CR 62	
1429	142.294 SH / Opt 5 (INN Refo LR/KR/BR, Foam): lami / arg / E366 (DS 090 DS/DS) 3/4" IG											
	0.264	0.345	0.117					ARG90	0.022(#3)	CL	P1-S	N,S
	U-Factor 0.28			SHGC (N / <1) 0.29 / 0.27				VT (N / <1) 0.50 / 0.44			CR 60	
	142.294 SH / Opt 5 (INN Refo LR/KR/BR, Foam): E366 / arg / lami (DS/DS 090 DS) 3/4" IG											
	0.117	0.345	0.264					ARG90	0.022(#2)	CL	P1-S	N,S
	U-Factor 0.28			SHGC (N / <1) 0.22 / 0.20				VT (N / <1) 0.50 / 0.44			CR 60	
1430	142.294 SH / Opt 5 (INN Refo LR/KR/BR, Foam): lami / arg / E366 (DS 090 DS/DS) 3/4" IG											
	0.264	0.345	0.117					ARG90	0.022(#3)	CL	P1-S	G,S
	U-Factor 0.30			SHGC (<1) 0.27				VT (<1) 0.44			CR 60	
	142.294 SH / Opt 5 (INN Refo LR/KR/BR, Foam): E366 / arg / lami (DS/DS 090 DS) 3/4" IG											
	0.117	0.345	0.264					ARG90	0.022(#2)	CL	P1-S	G,S
	U-Factor 0.30			SHGC (<1) 0.20				VT (<1) 0.44			CR 60	
1431	142.294 SH / Opt 5 (INN Refo LR/KR/BR, Foam): E366 / arg / clr / arg / E366 (SS/SS/SS) 3/4" IG (P1-S)											
	0.087	0.250	0.087	0.250	0.087			ARG90	0.022(#2) / 0.022(#5)	CL	P1-S	N,S
	U-Factor 0.22			SHGC (N / <1) 0.19 / 0.17				VT (N / <1) 0.37 / 0.33			CR 69	
1432	142.294 SH / Opt 5 (INN Refo LR/KR/BR, Foam): E366 / arg / clr / arg / E366 (SS/SS/SS) 3/4" IG (P1-S)											
	0.087	0.250	0.087	0.250	0.087			ARG90	0.022(#2) / 0.022(#5)	CL	P1-S	G,S
	U-Factor 0.23			SHGC (<1) 0.17				VT (<1) 0.33			CR 69	

**NFRC 100/200/500 Summary Sheet
 Windgate/Belmont/Stormgate Single Hung**

ID	Pane Thickness 1	Gap Width 1	Pane Thickness 2	Gap Width 2	Pane Thickness 3	Gap Width 3	Pane Thickness 4	Gap Fill	Low-e (Surface#)	Tint	Spacer	Grid Type
	U-Factor			Solar Heat Gain Coefficient (SHGC) Grids (None / <1 / >=1)				Visible Transmittance (VT) Grids (None / <1 / >=1)			Condensation Resistance	
1433	142.294 SH / Opt 5 (INN Refo LR/KR/BR, Foam): 70/36 / air / clr (SS/SS) 3/4" IG											
	0.090	0.563	0.090					AIR	0.036(#2)	CL	P1-S	N,G,S
	U-Factor 0.30			SHGC (N / <1) 0.31 / 0.28				VT (N / <1) 0.55 / 0.49			CR 58	
1434	142.294 SH / Opt 5 (INN Refo LR/KR/BR, Foam): clr / air / 70/36 (SS/SS) 3/4" IG											
	0.090	0.563	0.090					AIR	0.036(#3)	CL	P1-S	N,G,S
	U-Factor 0.30			SHGC (N / <1) 0.39 / 0.35				VT (N / <1) 0.55 / 0.49			CR 58	
1434	142.294 SH / Opt 5 (INN Refo LR/KR/BR, Foam): 70/36 / arg / clr (SS/SS) 3/4" IG											
	0.090	0.563	0.090					ARG90	0.036(#2)	CL	P1-S	N,G,S
	U-Factor 0.27			SHGC (N / <1) 0.31 / 0.28				VT (N / <1) 0.55 / 0.49			CR 63	
1435	142.294 SH / Opt 5 (INN Refo LR/KR/BR, Foam): clr / arg / 70/36 (SS/SS) 3/4" IG											
	0.090	0.563	0.090					ARG90	0.036(#3)	CL	P1-S	N,G,S
	U-Factor 0.27			SHGC (N / <1) 0.39 / 0.35				VT (N / <1) 0.55 / 0.49			CR 63	
1435	142.294 SH / Opt 5 (INN Refo LR/KR/BR, Foam): 70/36 / air / clr (DS/DS) 3/4" IG											
	0.117	0.500	0.117					AIR	0.036(#2)	CL	P1-S	N,G,S
	U-Factor 0.30			SHGC (N / <1) 0.31 / 0.28				VT (N / <1) 0.55 / 0.49			CR 58	
1435	142.294 SH / Opt 5 (INN Refo LR/KR/BR, Foam): clr / air / 70/36 (DS/DS) 3/4" IG											
	0.117	0.500	0.117					AIR	0.036(#3)	CL	P1-S	N,G,S
	U-Factor 0.30			SHGC (N / <1) 0.38 / 0.34				VT (N / <1) 0.55 / 0.49			CR 58	
1436	142.294 SH / Opt 5 (INN Refo LR/KR/BR, Foam): 70/36 / arg / clr (DS/DS) 3/4" IG											
	0.117	0.500	0.117					ARG90	0.036(#2)	CL	P1-S	N,G,S
	U-Factor 0.26			SHGC (N / <1) 0.30 / 0.27				VT (N / <1) 0.55 / 0.49			CR 62	
1436	142.294 SH / Opt 5 (INN Refo LR/KR/BR, Foam): clr / arg / 70/36 (DS/DS) 3/4" IG											
	0.117	0.500	0.117					ARG90	0.036(#3)	CL	P1-S	N,G,S
	U-Factor 0.26			SHGC (N / <1) 0.38 / 0.35				VT (N / <1) 0.55 / 0.49			CR 62	
1437	142.294 SH / Opt 5 (INN Refo LR/KR/BR, Foam): lami / arg / 70/36 (DS 090 DS/DS) 3/4" IG											
	0.264	0.345	0.117					ARG90	0.036(#3)	CL	P1-S	N,S
	U-Factor 0.29			SHGC (N / <1) 0.36 / 0.33				VT (N / <1) 0.54 / 0.48			CR 60	
1437	142.294 SH / Opt 5 (INN Refo LR/KR/BR, Foam): 70/36 / arg / lami (DS/DS 090 DS) 3/4" IG											
	0.117	0.345	0.264					ARG90	0.036(#2)	CL	P1-S	N,S
	U-Factor 0.29			SHGC (N / <1) 0.30 / 0.27				VT (N / <1) 0.54 / 0.48			CR 60	

**NFRC 100/200/500 Summary Sheet
Windgate/Belmont/Stormgate Single Hung**

ID	Pane Thickness 1	Gap Width 1	Pane Thickness 2	Gap Width 2	Pane Thickness 3	Gap Width 3	Pane Thickness 4	Gap Fill	Low-e (Surface#)	Tint	Spacer	Grid Type
	U-Factor			Solar Heat Gain Coefficient (SHGC) Grids (None / <1 / >=1)				Visible Transmittance (VT) Grids (None / <1 / >=1)			Condensation Resistance	
1438	142.294 SH / Opt 5 (INN Refo LR/KR/BR, Foam): lami / arg / 70/36 (DS 090 DS/DS) 3/4" IG											
	0.264	0.345	0.117					ARG90	0.036(#3)	CL	P1-S	G,S
	U-Factor 0.30			SHGC (<1) 0.33				VT (<1) 0.48			CR 59	
	142.294 SH / Opt 5 (INN Refo LR/KR/BR, Foam): 70/36 / arg / lami (DS/DS 090 DS) 3/4" IG											
	0.117	0.345	0.264					ARG90	0.036(#2)	CL	P1-S	G,S
	U-Factor 0.30			SHGC (<1) 0.27				VT (<1) 0.48			CR 59	
1439	142.294 SH / Opt 5 (INN Refo LR/KR/BR, Foam): 70/36 / arg / clr / arg / 70/36 (SS/SS/SS) 3/4" IG											
	0.090	0.250	0.090	0.250	0.090			ARG90	0.036(#2) / 0.036(#5)	CL	P1-S	N,S
	U-Factor 0.23			SHGC (N / <1) 0.26 / 0.24				VT (N / <1) 0.43 / 0.39			CR 69	
1440	142.294 SH / Opt 5 (INN Refo LR/KR/BR, Foam): 70/36 / arg / clr / arg / 70/36 (SS/SS/SS) 3/4" IG											
	0.090	0.250	0.090	0.250	0.090			ARG90	0.036(#2) / 0.036(#5)	CL	P1-S	G,S
	U-Factor 0.24			SHGC (<1) 0.24				VT (<1) 0.39			CR 69	
1441	142.294 SH / Opt 5 (INN Refo LR/KR/BR, Foam): 80/70 / air / clr (SS/SS) 3/4" IG											
	0.090	0.563	0.090					AIR	0.095(#2)	CL	P1-S	N,G,S
	U-Factor 0.32			SHGC (N / <1) 0.53 / 0.48				VT (N / <1) 0.64 / 0.57			CR 57	
	142.294 SH / Opt 5 (INN Refo LR/KR/BR, Foam): clr / air / 80/70 (SS/SS) 3/4" IG											
	0.090	0.563	0.090					AIR	0.095(#3)	CL	P1-S	N,G,S
	U-Factor 0.32			SHGC (N / <1) 0.56 / 0.50				VT (N / <1) 0.64 / 0.57			CR 57	
1442	142.294 SH / Opt 5 (INN Refo LR/KR/BR, Foam): 80/70 / arg / clr (SS/SS) 3/4" IG											
	0.090	0.563	0.090					ARG90	0.095(#2)	CL	P1-S	N,G,S
	U-Factor 0.29			SHGC (N / <1) 0.53 / 0.48				VT (N / <1) 0.64 / 0.57			CR 61	
	142.294 SH / Opt 5 (INN Refo LR/KR/BR, Foam): clr / arg / 80/70 (SS/SS) 3/4" IG											
	0.090	0.563	0.090					ARG90	0.095(#3)	CL	P1-S	N,G,S
	U-Factor 0.29			SHGC (N / <1) 0.56 / 0.50				VT (N / <1) 0.64 / 0.57			CR 61	
1443	142.294 SH / Opt 5 (INN Refo LR/KR/BR, Foam): 80/70 / air / clr (DS/DS) 3/4" IG											
	0.117	0.500	0.117					AIR	0.095(#2)	CL	P1-S	N,G,S
	U-Factor 0.32			SHGC (N / <1) 0.52 / 0.47				VT (N / <1) 0.63 / 0.57			CR 56	
	142.294 SH / Opt 5 (INN Refo LR/KR/BR, Foam): clr / air / 80/70 (DS/DS) 3/4" IG											
	0.117	0.500	0.117					AIR	0.095(#3)	CL	P1-S	N,G,S
	U-Factor 0.32			SHGC (N / <1) 0.55 / 0.50				VT (N / <1) 0.63 / 0.57			CR 56	

**NFRC 100/200/500 Summary Sheet
 Windgate/Belmont/Stormgate Single Hung**

ID	Pane Thickness 1	Gap Width 1	Pane Thickness 2	Gap Width 2	Pane Thickness 3	Gap Width 3	Pane Thickness 4	Gap Fill	Low-e (Surface#)	Tint	Spacer	Grid Type
	U-Factor			Solar Heat Gain Coefficient (SHGC) Grids (None / <1 / >=1)				Visible Transmittance (VT) Grids (None / <1 / >=1)			Condensation Resistance	
1444	142.294 SH / Opt 5 (INN Refo LR/KR/BR, Foam): 80/70 / arg / clr (DS/DS) 3/4" IG											
	0.117	0.500	0.117					ARG90	0.095(#2)	CL	P1-S	N,G,S
	U-Factor 0.28			SHGC (N / <1) 0.52 / 0.47				VT (N / <1) 0.63 / 0.57			CR	60
1445	142.294 SH / Opt 5 (INN Refo LR/KR/BR, Foam): clr / arg / 80/70 (DS/DS) 3/4" IG											
	0.117	0.500	0.117					ARG90	0.095(#3)	CL	P1-S	N,G,S
	U-Factor 0.28			SHGC (N / <1) 0.55 / 0.50				VT (N / <1) 0.63 / 0.57			CR	60
1446	142.294 SH / Opt 5 (INN Refo LR/KR/BR, Foam): lami / arg / 80/70 (DS 090 DS/DS) 3/4" IG											
	0.264	0.345	0.117					ARG90	0.095(#3)	CL	P1-S	N,S
	U-Factor 0.30			SHGC (N / <1) 0.51 / 0.46				VT (N / <1) 0.62 / 0.56			CR	58
1447	142.294 SH / Opt 5 (INN Refo LR/KR/BR, Foam): 80/70 / arg / lami (DS/DS 090 DS) 3/4" IG											
	0.117	0.345	0.264					ARG90	0.095(#2)	CL	P1-S	N,S
	U-Factor 0.30			SHGC (N / <1) 0.51 / 0.46				VT (N / <1) 0.62 / 0.56			CR	58
1448	142.294 SH / Opt 5 (INN Refo LR/KR/BR, Foam): 80/70 / arg / clr / arg / 80/70 (SS/SS/SS) 3/4" IG											
	0.090	0.250	0.090	0.250	0.090			ARG90	0.095(#2) / 0.095(#5)	CL	P1-S	G,S
	U-Factor 0.25			SHGC (<1) 0.42				VT (<1) 0.51			CR	68
1449	142.294 SH / Opt 5 (INN Refo LR/KR/BR, Foam): clr / air / clr (SS/SS) 3/4" IG											
	0.087	0.563	0.087					AIR		CL	SS-D	N,G,S
	U-Factor 0.45			SHGC (N / <1) 0.63 / 0.56				VT (N / <1) 0.65 / 0.58			CR	45
1450	142.294 SH / Opt 5 (INN Refo LR/KR/BR, Foam): clr / air / clr (DS/DS) 3/4" IG											
	0.118	0.500	0.118					AIR		CL	SS-D	N,G,S
	U-Factor 0.45			SHGC (N / <1) 0.61 / 0.55				VT (N / <1) 0.65 / 0.58			CR	44

**NFRC 100/200/500 Summary Sheet
Windgate/Belmont/Stormgate Single Hung**

ID	Pane Thickness 1	Gap Width 1	Pane Thickness 2	Gap Width 2	Pane Thickness 3	Gap Width 3	Pane Thickness 4	Gap Width 4	Gap Fill	Low-e (Surface#)	Tint	Spacer	Grid Type
	U-Factor			Solar Heat Gain Coefficient (SHGC) Grids (None / <1 / >=1)					Visible Transmittance (VT) Grids (None / <1 / >=1)			Condensation Resistance	
1451	142.294 SH / Opt 5 (INN Refo LR/KR/BR, Foam): clr / air / clr (5mm/DS) 3/4" IG												
	0.185	0.438	0.118						AIR		CL	SS-D	N,G,S
	U-Factor 0.46			SHGC (N / <1) 0.59 / 0.53					VT (N / <1) 0.64 / 0.57			CR 44	
1452	142.294 SH / Opt 5 (INN Refo LR/KR/BR, Foam): clr / air / clr (5mm/DS) 3/4" IG												
	0.185	0.438	0.118						AIR		CL	SS-D	G
	U-Factor 0.46			SHGC (<1) 0.53					VT (<1) 0.57			CR 44	
1453	142.294 SH / Opt 5 (INN Refo LR/KR/BR, Foam): lami / air / clr (DS 090 DS/DS) 3/4" IG												
	0.264	0.345	0.118						AIR		CL	SS-D	N,S
	U-Factor 0.47			SHGC (N / <1) 0.56 / 0.51					VT (N / <1) 0.63 / 0.57			CR 43	
	142.294 SH / Opt 5 (INN Refo LR/KR/BR, Foam): clr / air / lami (DS/DS 090 DS) 3/4" IG												
	0.118	0.345	0.264						AIR		CL	SS-D	N,S
	U-Factor 0.47			SHGC (N / <1) 0.59 / 0.53					VT (N / <1) 0.63 / 0.57			CR 43	
1454	142.294 SH / Opt 5 (INN Refo LR/KR/BR, Foam): lami / air / clr (DS 090 DS/DS) 3/4" IG												
	0.264	0.345	0.118						AIR		CL	SS-D	G,S
	U-Factor 0.48			SHGC (<1) 0.51					VT (<1) 0.57			CR 43	
	142.294 SH / Opt 5 (INN Refo LR/KR/BR, Foam): clr / air / lami (DS/DS 090 DS) 3/4" IG												
	0.118	0.345	0.264						AIR		CL	SS-D	G,S
	U-Factor 0.48			SHGC (<1) 0.53					VT (<1) 0.57			CR 43	
1455	142.294 SH / Opt 5 (INN Refo LR/KR/BR, Foam): clr / air / clr / air / clr (SS/SS/SS) 3/4" IG (P1-S)												
	0.087	0.250	0.087	0.250	0.087				AIR		CL	SS-D	N,S
	U-Factor 0.37			SHGC (N / <1) 0.57 / 0.51					VT (N / <1) 0.60 / 0.54			CR 53	
1456	142.294 SH / Opt 5 (INN Refo LR/KR/BR, Foam): clr / air / clr / air / clr (SS/SS/SS) 3/4" IG (P1-S)												
	0.087	0.250	0.087	0.250	0.087				AIR		CL	SS-D	G,S
	U-Factor 0.38			SHGC (<1) 0.51					VT (<1) 0.54			CR 53	
1457	142.294 SH / Opt 5 (INN Refo LR/KR/BR, Foam): E270 / air / clr (SS/SS) 3/4" IG												
	0.087	0.563	0.087						AIR	0.037(#2)	CL	SS-D	N,G,S
	U-Factor 0.31			SHGC (N / <1) 0.30 / 0.27					VT (N / <1) 0.55 / 0.49			CR 56	
	142.294 SH / Opt 5 (INN Refo LR/KR/BR, Foam): clr / air / E270 (SS/SS) 3/4" IG												
	0.087	0.563	0.087						AIR	0.037(#3)	CL	SS-D	N,G,S
	U-Factor 0.31			SHGC (N / <1) 0.37 / 0.33					VT (N / <1) 0.55 / 0.49			CR 56	

**NFRC 100/200/500 Summary Sheet
 Windgate/Belmont/Stormgate Single Hung**

ID	Pane Thickness 1	Gap Width 1	Pane Thickness 2	Gap Width 2	Pane Thickness 3	Gap Width 3	Pane Thickness 4	Gap Fill	Low-e (Surface#)	Tint	Spacer	Grid Type
	U-Factor			Solar Heat Gain Coefficient (SHGC) Grids (None / <1 / >=1)				Visible Transmittance (VT) Grids (None / <1 / >=1)			Condensation Resistance	
1458	142.294 SH / Opt 5 (INN Refo LR/KR/BR, Foam): E270 / arg / clr (SS/SS) 3/4" IG											
	0.087	0.563	0.087					ARG90	0.037(#2)	CL	SS-D	N,G,S
	U-Factor 0.28			SHGC (N / <1) 0.29 / 0.26				VT (N / <1) 0.55 / 0.49			CR	59
	142.294 SH / Opt 5 (INN Refo LR/KR/BR, Foam): clr / arg / E270 (SS/SS) 3/4" IG											
	0.087	0.563	0.087					ARG90	0.037(#3)	CL	SS-D	N,G,S
	U-Factor 0.28			SHGC (N / <1) 0.37 / 0.33				VT (N / <1) 0.55 / 0.49			CR	59
1459	142.294 SH / Opt 5 (INN Refo LR/KR/BR, Foam): E270 / air / clr (DS/DS) 3/4" IG											
	0.118	0.500	0.118					AIR	0.037(#2)	CL	SS-D	N,G,S
	U-Factor 0.31			SHGC (N / <1) 0.30 / 0.27				VT (N / <1) 0.55 / 0.49			CR	55
	142.294 SH / Opt 5 (INN Refo LR/KR/BR, Foam): clr / air / E270 (DS/DS) 3/4" IG											
	0.118	0.500	0.118					AIR	0.037(#3)	CL	SS-D	N,G,S
	U-Factor 0.31			SHGC (N / <1) 0.36 / 0.33				VT (N / <1) 0.55 / 0.49			CR	55
1460	142.294 SH / Opt 5 (INN Refo LR/KR/BR, Foam): E270 / arg / clr (DS/DS) 3/4" IG											
	0.118	0.500	0.118					ARG90	0.037(#2)	CL	SS-D	N,G,S
	U-Factor 0.27			SHGC (N / <1) 0.29 / 0.26				VT (N / <1) 0.55 / 0.49			CR	59
	142.294 SH / Opt 5 (INN Refo LR/KR/BR, Foam): clr / arg / E270 (DS/DS) 3/4" IG											
	0.118	0.500	0.118					ARG90	0.037(#3)	CL	SS-D	N,G,S
	U-Factor 0.27			SHGC (N / <1) 0.36 / 0.33				VT (N / <1) 0.55 / 0.49			CR	59
1461	142.294 SH / Opt 5 (INN Refo LR/KR/BR, Foam): lami / arg / E270 (DS 090 DS/DS) 3/4" IG											
	0.264	0.345	0.118					ARG90	0.037(#3)	CL	SS-D	N,S
	U-Factor 0.30			SHGC (N / <1) 0.35 / 0.31				VT (N / <1) 0.54 / 0.48			CR	56
	142.294 SH / Opt 5 (INN Refo LR/KR/BR, Foam): E270 / arg / lami (DS/DS 090 DS) 3/4" IG											
	0.118	0.345	0.264					ARG90	0.037(#2)	CL	SS-D	N,S
	U-Factor 0.30			SHGC (N / <1) 0.29 / 0.26				VT (N / <1) 0.54 / 0.48			CR	56
1462	142.294 SH / Opt 5 (INN Refo LR/KR/BR, Foam): lami / arg / E270 (DS 090 DS/DS) 3/4" IG											
	0.264	0.345	0.118					ARG90	0.037(#3)	CL	SS-D	G,S
	U-Factor 0.31			SHGC (<1) 0.31				VT (<1) 0.48			CR	56
	142.294 SH / Opt 5 (INN Refo LR/KR/BR, Foam): E270 / arg / lami (DS/DS 090 DS) 3/4" IG											
	0.118	0.345	0.264					ARG90	0.037(#2)	CL	SS-D	G,S
	U-Factor 0.31			SHGC (<1) 0.26				VT (<1) 0.48			CR	56

**NFRC 100/200/500 Summary Sheet
Windgate/Belmont/Stormgate Single Hung**

ID	Pane Thickness 1	Gap Width 1	Pane Thickness 2	Gap Width 2	Pane Thickness 3	Gap Width 3	Pane Thickness 4	Gap Fill	Low-e (Surface#)	Tint	Spacer	Grid Type
	U-Factor			Solar Heat Gain Coefficient (SHGC) Grids (None / <1 / >=1)				Visible Transmittance (VT) Grids (None / <1 / >=1)			Condensation Resistance	
1463	142.294 SH / Opt 5 (INN Refo LR/KR/BR, Foam): E270 / arg / clr / arg / E270 (SS/SS/SS) 3/4" IG (SS-D)											
	0.087	0.266	0.087	0.266	0.087			ARG90	0.037(#2) / 0.037(#5)	CL	SS-D	N,S
	U-Factor 0.23			SHGC (N / <1) 0.25 / 0.23				VT (N / <1) 0.43 / 0.39			CR	67
1464	142.294 SH / Opt 5 (INN Refo LR/KR/BR, Foam): E270 / arg / clr / arg / E270 (SS/SS/SS) 3/4" IG (SS-D)											
	0.087	0.266	0.087	0.266	0.087			ARG90	0.037(#2) / 0.037(#5)	CL	SS-D	G,S
	U-Factor 0.24			SHGC (<1) 0.23				VT (<1) 0.39			CR	67
1465	142.294 SH / Opt 5 (INN Refo LR/KR/BR, Foam): E366 / air / clr (SS/SS) 3/4" IG											
	0.087	0.563	0.087					AIR	0.022(#2)	CL	SS-D	N,G,S
	U-Factor 0.31			SHGC (N / <1) 0.22 / 0.20				VT (N / <1) 0.51 / 0.46			CR	56
	142.294 SH / Opt 5 (INN Refo LR/KR/BR, Foam): clr / air / E366 (SS/SS) 3/4" IG											
	0.087	0.563	0.087					AIR	0.022(#3)	CL	SS-D	N,G,S
	U-Factor 0.31			SHGC (N / <1) 0.31 / 0.28				VT (N / <1) 0.51 / 0.46			CR	56
1466	142.294 SH / Opt 5 (INN Refo LR/KR/BR, Foam): E366 / arg / clr (SS/SS) 3/4" IG											
	0.087	0.563	0.087					ARG90	0.022(#2)	CL	SS-D	N,G,S
	U-Factor 0.27			SHGC (N / <1) 0.22 / 0.20				VT (N / <1) 0.51 / 0.46			CR	60
	142.294 SH / Opt 5 (INN Refo LR/KR/BR, Foam): clr / arg / E366 (SS/SS) 3/4" IG											
	0.087	0.563	0.087					ARG90	0.022(#3)	CL	SS-D	N,G,S
	U-Factor 0.27			SHGC (N / <1) 0.31 / 0.28				VT (N / <1) 0.51 / 0.46			CR	60
1467	142.294 SH / Opt 5 (INN Refo LR/KR/BR, Foam): E366 / air / clr (DS/DS) 3/4" IG											
	0.117	0.500	0.118					AIR	0.022(#2)	CL	SS-D	N,G,S
	U-Factor 0.31			SHGC (N / <1) 0.22 / 0.20				VT (N / <1) 0.51 / 0.45			CR	55
	142.294 SH / Opt 5 (INN Refo LR/KR/BR, Foam): clr / air / E366 (DS/DS) 3/4" IG											
	0.118	0.500	0.117					AIR	0.022(#3)	CL	SS-D	N,G,S
	U-Factor 0.31			SHGC (N / <1) 0.30 / 0.28				VT (N / <1) 0.51 / 0.45			CR	55
1468	142.294 SH / Opt 5 (INN Refo LR/KR/BR, Foam): E366 / arg / clr (DS/DS) 3/4" IG											
	0.117	0.500	0.118					ARG90	0.022(#2)	CL	SS-D	N,G,S
	U-Factor 0.27			SHGC (N / <1) 0.22 / 0.20				VT (N / <1) 0.51 / 0.45			CR	59
	142.294 SH / Opt 5 (INN Refo LR/KR/BR, Foam): clr / arg / E366 (DS/DS) 3/4" IG											
	0.118	0.500	0.117					ARG90	0.022(#3)	CL	SS-D	N,G,S
	U-Factor 0.27			SHGC (N / <1) 0.31 / 0.28				VT (N / <1) 0.51 / 0.45			CR	59

**NFRC 100/200/500 Summary Sheet
Windgate/Belmont/Stormgate Single Hung**

ID	Pane Thickness 1	Gap Width 1	Pane Thickness 2	Gap Width 2	Pane Thickness 3	Gap Width 3	Pane Thickness 4	Gap Fill	Low-e (Surface#)	Tint	Spacer	Grid Type
	U-Factor			Solar Heat Gain Coefficient (SHGC) Grids (None / <1 / >=1)				Visible Transmittance (VT) Grids (None / <1 / >=1)			Condensation Resistance	
1469	142.294 SH / Opt 5 (INN Refo LR/KR/BR, Foam): lami / arg / E366 (DS 090 DS/DS) 3/4" IG											
	0.264	0.345	0.117					ARG90	0.022(#3)	CL	SS-D	N,S
	U-Factor 0.29			SHGC (N / <1) 0.29 / 0.27				VT (N / <1) 0.50 / 0.44			CR 57	
	142.294 SH / Opt 5 (INN Refo LR/KR/BR, Foam): E366 / arg / lami (DS/DS 090 DS) 3/4" IG											
	0.117	0.345	0.264					ARG90	0.022(#2)	CL	SS-D	N,S
	U-Factor 0.29			SHGC (N / <1) 0.22 / 0.20				VT (N / <1) 0.50 / 0.44			CR 57	
1470	142.294 SH / Opt 5 (INN Refo LR/KR/BR, Foam): lami / arg / E366 (DS 090 DS/DS) 3/4" IG											
	0.264	0.345	0.117					ARG90	0.022(#3)	CL	SS-D	G,S
	U-Factor 0.31			SHGC (<1) 0.27				VT (<1) 0.44			CR 57	
	142.294 SH / Opt 5 (INN Refo LR/KR/BR, Foam): E366 / arg / lami (DS/DS 090 DS) 3/4" IG											
	0.117	0.345	0.264					ARG90	0.022(#2)	CL	SS-D	G,S
	U-Factor 0.31			SHGC (<1) 0.20				VT (<1) 0.44			CR 57	
1471	142.294 SH / Opt 5 (INN Refo LR/KR/BR, Foam): E366 / arg / clr / arg / E366 (SS/SS/SS) 3/4" IG (SS-D)											
	0.087	0.266	0.087	0.266	0.087			ARG90	0.022(#2) / 0.022(#5)	CL	SS-D	N,S
	U-Factor 0.23			SHGC (N / <1) 0.19 / 0.17				VT (N / <1) 0.37 / 0.33			CR 67	
1472	142.294 SH / Opt 5 (INN Refo LR/KR/BR, Foam): E366 / arg / clr / arg / E366 (SS/SS/SS) 3/4" IG (SS-D)											
	0.087	0.266	0.087	0.266	0.087			ARG90	0.022(#2) / 0.022(#5)	CL	SS-D	G,S
	U-Factor 0.23			SHGC (<1) 0.17				VT (<1) 0.33			CR 67	
1473	142.294 SH / Opt 5 (INN Refo LR/KR/BR, Foam): clr / air / clr (SS/SS) 3/4" IG											
	0.087	0.563	0.087					AIR		CL	TS-D	N,G,S
	U-Factor 0.45			SHGC (N / <1) 0.63 / 0.56				VT (N / <1) 0.65 / 0.58			CR 44	
1474	142.294 SH / Opt 5 (INN Refo LR/KR/BR, Foam): clr / air / clr (DS/DS) 3/4" IG											
	0.118	0.500	0.118					AIR		CL	TS-D	N,G,S
	U-Factor 0.45			SHGC (N / <1) 0.61 / 0.55				VT (N / <1) 0.65 / 0.58			CR 43	
1475	142.294 SH / Opt 5 (INN Refo LR/KR/BR, Foam): clr / air / clr (5mm/DS) 3/4" IG											
	0.185	0.438	0.118					AIR		CL	TS-D	N,G,S
	U-Factor 0.46			SHGC (N / <1) 0.59 / 0.53				VT (N / <1) 0.64 / 0.57			CR 43	
1476	142.294 SH / Opt 5 (INN Refo LR/KR/BR, Foam): clr / air / clr (5mm/DS) 3/4" IG											
	0.185	0.438	0.118					AIR		CL	TS-D	G
	U-Factor 0.46			SHGC (<1) 0.53				VT (<1) 0.57			CR 43	

**NFRC 100/200/500 Summary Sheet
 Windgate/Belmont/Stormgate Single Hung**

ID	Pane Thickness 1	Gap Width 1	Pane Thickness 2	Gap Width 2	Pane Thickness 3	Gap Width 3	Pane Thickness 4	Gap Fill	Low-e (Surface#)	Tint	Spacer	Grid Type
	U-Factor			Solar Heat Gain Coefficient (SHGC) Grids (None / <1 / >=1)				Visible Transmittance (VT) Grids (None / <1 / >=1)			Condensation Resistance	
1477	142.294 SH / Opt 5 (INN Refo LR/KR/BR, Foam): lami / air / clr (DS 090 DS/DS) 3/4" IG											
	0.264	0.345	0.118					AIR		CL	TS-D	N,S
	U-Factor 0.47			SHGC (N / <1) 0.56 / 0.51				VT (N / <1) 0.63 / 0.57			CR 42	
	142.294 SH / Opt 5 (INN Refo LR/KR/BR, Foam): clr / air / lami (DS/DS 090 DS) 3/4" IG											
	0.118	0.345	0.264					AIR		CL	TS-D	N,S
	U-Factor 0.47			SHGC (N / <1) 0.59 / 0.53				VT (N / <1) 0.63 / 0.57			CR 42	
1478	142.294 SH / Opt 5 (INN Refo LR/KR/BR, Foam): lami / air / clr (DS 090 DS/DS) 3/4" IG											
	0.264	0.345	0.118					AIR		CL	TS-D	G,S
	U-Factor 0.48			SHGC (<1) 0.51				VT (<1) 0.57			CR 42	
	142.294 SH / Opt 5 (INN Refo LR/KR/BR, Foam): clr / air / lami (DS/DS 090 DS) 3/4" IG											
	0.118	0.345	0.264					AIR		CL	TS-D	G,S
	U-Factor 0.48			SHGC (<1) 0.53				VT (<1) 0.57			CR 42	
1479	142.294 SH / Opt 5 (INN Refo LR/KR/BR, Foam): clr / air / clr / air / clr (SS/SS/SS) 3/4" IG (P1-S)											
	0.087	0.250	0.087	0.250	0.087			AIR		CL	TS-D	N,S
	U-Factor 0.38			SHGC (N / <1) 0.57 / 0.51				VT (N / <1) 0.60 / 0.54			CR 52	
1480	142.294 SH / Opt 5 (INN Refo LR/KR/BR, Foam): clr / air / clr / air / clr (SS/SS/SS) 3/4" IG (P1-S)											
	0.087	0.250	0.087	0.250	0.087			AIR		CL	TS-D	G,S
	U-Factor 0.39			SHGC (<1) 0.51				VT (<1) 0.54			CR 52	
1481	142.294 SH / Opt 5 (INN Refo LR/KR/BR, Foam): 70/36 / air / clr (SS/SS) 3/4" IG											
	0.090	0.563	0.090					AIR	0.036(#2)	CL	TS-D	N,G,S
	U-Factor 0.32			SHGC (N / <1) 0.31 / 0.28				VT (N / <1) 0.55 / 0.49			CR 55	
	142.294 SH / Opt 5 (INN Refo LR/KR/BR, Foam): clr / air / 70/36 (SS/SS) 3/4" IG											
	0.090	0.563	0.090					AIR	0.036(#3)	CL	TS-D	N,G,S
	U-Factor 0.32			SHGC (N / <1) 0.39 / 0.35				VT (N / <1) 0.55 / 0.49			CR 55	
1482	142.294 SH / Opt 5 (INN Refo LR/KR/BR, Foam): 70/36 / arg / clr (SS/SS) 3/4" IG											
	0.090	0.563	0.090					ARG90	0.036(#2)	CL	TS-D	N,G,S
	U-Factor 0.28			SHGC (N / <1) 0.31 / 0.28				VT (N / <1) 0.55 / 0.49			CR 58	
	142.294 SH / Opt 5 (INN Refo LR/KR/BR, Foam): clr / arg / 70/36 (SS/SS) 3/4" IG											
	0.090	0.563	0.090					ARG90	0.036(#3)	CL	TS-D	N,G,S
	U-Factor 0.28			SHGC (N / <1) 0.39 / 0.35				VT (N / <1) 0.55 / 0.49			CR 58	

**NFRC 100/200/500 Summary Sheet
 Windgate/Belmont/Stormgate Single Hung**

ID	Pane Thickness 1	Gap Width 1	Pane Thickness 2	Gap Width 2	Pane Thickness 3	Gap Width 3	Pane Thickness 4	Gap Fill	Low-e (Surface#)	Tint	Spacer	Grid Type
	U-Factor			Solar Heat Gain Coefficient (SHGC) Grids (None / <1 / >=1)				Visible Transmittance (VT) Grids (None / <1 / >=1)			Condensation Resistance	
1483	142.294 SH / Opt 5 (INN Refo LR/KR/BR, Foam): 70/36 / air / clr (DS/DS) 3/4" IG											
	0.117	0.500	0.117					AIR	0.036(#2)	CL	TS-D	N,G,S
	U-Factor 0.31			SHGC (N / <1) 0.31 / 0.28				VT (N / <1) 0.55 / 0.49			CR 54	
	142.294 SH / Opt 5 (INN Refo LR/KR/BR, Foam): clr / air / 70/36 (DS/DS) 3/4" IG											
	0.117	0.500	0.117					AIR	0.036(#3)	CL	TS-D	N,G,S
	U-Factor 0.31			SHGC (N / <1) 0.38 / 0.34				VT (N / <1) 0.55 / 0.49			CR 54	
1484	142.294 SH / Opt 5 (INN Refo LR/KR/BR, Foam): 70/36 / arg / clr (DS/DS) 3/4" IG											
	0.117	0.500	0.117					ARG90	0.036(#2)	CL	TS-D	N,G,S
	U-Factor 0.28			SHGC (N / <1) 0.30 / 0.27				VT (N / <1) 0.55 / 0.49			CR 57	
	142.294 SH / Opt 5 (INN Refo LR/KR/BR, Foam): clr / arg / 70/36 (DS/DS) 3/4" IG											
	0.117	0.500	0.117					ARG90	0.036(#3)	CL	TS-D	N,G,S
	U-Factor 0.28			SHGC (N / <1) 0.38 / 0.35				VT (N / <1) 0.55 / 0.49			CR 57	
1485	142.294 SH / Opt 5 (INN Refo LR/KR/BR, Foam): lami / arg / 70/36 (DS 090 DS/DS) 3/4" IG											
	0.264	0.345	0.117					ARG90	0.036(#3)	CL	TS-D	N,S
	U-Factor 0.30			SHGC (N / <1) 0.36 / 0.33				VT (N / <1) 0.54 / 0.48			CR 55	
	142.294 SH / Opt 5 (INN Refo LR/KR/BR, Foam): 70/36 / arg / lami (DS/DS 090 DS) 3/4" IG											
	0.117	0.345	0.264					ARG90	0.036(#2)	CL	TS-D	N,S
	U-Factor 0.30			SHGC (N / <1) 0.30 / 0.27				VT (N / <1) 0.54 / 0.48			CR 55	
1486	142.294 SH / Opt 5 (INN Refo LR/KR/BR, Foam): lami / arg / 70/36 (DS 090 DS/DS) 3/4" IG											
	0.264	0.345	0.117					ARG90	0.036(#3)	CL	TS-D	G,S
	U-Factor 0.31			SHGC (<1) 0.33				VT (<1) 0.48			CR 55	
	142.294 SH / Opt 5 (INN Refo LR/KR/BR, Foam): 70/36 / arg / lami (DS/DS 090 DS) 3/4" IG											
	0.117	0.345	0.264					ARG90	0.036(#2)	CL	TS-D	G,S
	U-Factor 0.31			SHGC (<1) 0.27				VT (<1) 0.48			CR 55	
1487	142.294 SH / Opt 5 (INN Refo LR/KR/BR, Foam): 70/36 / arg / clr / arg / 70/36 (SS/SS/SS) 3/4" IG											
	0.090	0.250	0.090	0.250	0.090			ARG90	0.036(#2) / 0.036(#5)	CL	TS-D	N,S
	U-Factor 0.24			SHGC (N / <1) 0.26 / 0.24				VT (N / <1) 0.43 / 0.39			CR 64	
1488	142.294 SH / Opt 5 (INN Refo LR/KR/BR, Foam): 70/36 / arg / clr / arg / 70/36 (SS/SS/SS) 3/4" IG											
	0.090	0.250	0.090	0.250	0.090			ARG90	0.036(#2) / 0.036(#5)	CL	TS-D	G,S
	U-Factor 0.25			SHGC (<1) 0.24				VT (<1) 0.39			CR 64	

**NFRC 100/200/500 Summary Sheet
Windgate/Belmont/Stormgate Single Hung**

ID	Pane Thickness 1	Gap Width 1	Pane Thickness 2	Gap Width 2	Pane Thickness 3	Gap Width 3	Pane Thickness 4	Gap Fill	Low-e (Surface#)	Tint	Spacer	Grid Type
	U-Factor			Solar Heat Gain Coefficient (SHGC) Grids (None / <1 / >=1)				Visible Transmittance (VT) Grids (None / <1 / >=1)		Condensation Resistance		
1489	142.294 SH / Opt 5 (INN Refo LR/KR/BR, Foam): 80/70 / air / clr (SS/SS) 3/4" IG											
	0.090	0.563	0.090					AIR	0.095(#2)	CL	TS-D	N,G,S
	U-Factor 0.33			SHGC (N / <1) 0.53 / 0.48				VT (N / <1) 0.64 / 0.57		CR 54		
	142.294 SH / Opt 5 (INN Refo LR/KR/BR, Foam): clr / air / 80/70 (SS/SS) 3/4" IG											
	0.090	0.563	0.090					AIR	0.095(#3)	CL	TS-D	N,G,S
	U-Factor 0.33			SHGC (N / <1) 0.56 / 0.50				VT (N / <1) 0.64 / 0.57		CR 54		
1490	142.294 SH / Opt 5 (INN Refo LR/KR/BR, Foam): 80/70 / arg / clr (SS/SS) 3/4" IG											
	0.090	0.563	0.090					ARG90	0.095(#2)	CL	TS-D	N,G,S
	U-Factor 0.30			SHGC (N / <1) 0.53 / 0.48				VT (N / <1) 0.64 / 0.57		CR 57		
	142.294 SH / Opt 5 (INN Refo LR/KR/BR, Foam): clr / arg / 80/70 (SS/SS) 3/4" IG											
	0.090	0.563	0.090					ARG90	0.095(#3)	CL	TS-D	N,G,S
	U-Factor 0.30			SHGC (N / <1) 0.56 / 0.50				VT (N / <1) 0.64 / 0.57		CR 57		
1491	142.294 SH / Opt 5 (INN Refo LR/KR/BR, Foam): 80/70 / air / clr (DS/DS) 3/4" IG											
	0.117	0.500	0.117					AIR	0.095(#2)	CL	TS-D	N,G,S
	U-Factor 0.33			SHGC (N / <1) 0.52 / 0.47				VT (N / <1) 0.63 / 0.57		CR 53		
	142.294 SH / Opt 5 (INN Refo LR/KR/BR, Foam): clr / air / 80/70 (DS/DS) 3/4" IG											
	0.117	0.500	0.117					AIR	0.095(#3)	CL	TS-D	N,G,S
	U-Factor 0.33			SHGC (N / <1) 0.55 / 0.50				VT (N / <1) 0.63 / 0.57		CR 53		
1492	142.294 SH / Opt 5 (INN Refo LR/KR/BR, Foam): 80/70 / arg / clr (DS/DS) 3/4" IG											
	0.117	0.500	0.117					ARG90	0.095(#2)	CL	TS-D	N,G,S
	U-Factor 0.30			SHGC (N / <1) 0.52 / 0.47				VT (N / <1) 0.63 / 0.57		CR 56		
	142.294 SH / Opt 5 (INN Refo LR/KR/BR, Foam): clr / arg / 80/70 (DS/DS) 3/4" IG											
	0.117	0.500	0.117					ARG90	0.095(#3)	CL	TS-D	N,G,S
	U-Factor 0.30			SHGC (N / <1) 0.55 / 0.50				VT (N / <1) 0.63 / 0.57		CR 56		
1493	142.294 SH / Opt 5 (INN Refo LR/KR/BR, Foam): lami / arg / 80/70 (DS 090 DS/DS) 3/4" IG											
	0.264	0.345	0.117					ARG90	0.095(#3)	CL	TS-D	N,S
	U-Factor 0.32			SHGC (N / <1) 0.51 / 0.46				VT (N / <1) 0.62 / 0.56		CR 54		
	142.294 SH / Opt 5 (INN Refo LR/KR/BR, Foam): 80/70 / arg / lami (DS/DS 090 DS) 3/4" IG											
	0.117	0.345	0.264					ARG90	0.095(#2)	CL	TS-D	N,S
	U-Factor 0.32			SHGC (N / <1) 0.51 / 0.46				VT (N / <1) 0.62 / 0.56		CR 54		

**NFRC 100/200/500 Summary Sheet
Windgate/Belmont/Stormgate Single Hung**

ID	Pane Thickness 1	Gap Width 1	Pane Thickness 2	Gap Width 2	Pane Thickness 3	Gap Width 3	Pane Thickness 4	Gap Width 4	Gap Fill	Low-e (Surface#)	Tint	Spacer	Grid Type
	U-Factor			Solar Heat Gain Coefficient (SHGC) Grids (None / <1 / >=1)					Visible Transmittance (VT) Grids (None / <1 / >=1)			Condensation Resistance	
1494	142.294 SH / Opt 5 (INN Refo LR/KR/BR, Foam): lami / arg / 80/70 (DS 090 DS/DS) 3/4" IG												
	0.264	0.345	0.117						ARG90	0.095(#3)	CL	TS-D	G,S
	U-Factor 0.33			SHGC (<1) 0.46					VT (<1) 0.56			CR	54
	142.294 SH / Opt 5 (INN Refo LR/KR/BR, Foam): 80/70 / arg / lami (DS/DS 090 DS) 3/4" IG												
	0.117	0.345	0.264						ARG90	0.095(#2)	CL	TS-D	G,S
	U-Factor 0.33			SHGC (<1) 0.46					VT (<1) 0.56			CR	54
1495	142.294 SH / Opt 5 (INN Refo LR/KR/BR, Foam): 80/70 / arg / clr / arg / 80/70 (SS/SS/SS) 3/4" IG												
	0.090	0.250	0.090	0.250	0.090				ARG90	0.095(#2) / 0.095(#5)	CL	TS-D	N,S
	U-Factor 0.25			SHGC (N / <1) 0.47 / 0.42					VT (N / <1) 0.58 / 0.51			CR	63
1496	142.294 SH / Opt 5 (INN Refo LR/KR/BR, Foam): 80/70 / arg / clr / arg / 80/70 (SS/SS/SS) 3/4" IG												
	0.090	0.250	0.090	0.250	0.090				ARG90	0.095(#2) / 0.095(#5)	CL	TS-D	G,S
	U-Factor 0.26			SHGC (<1) 0.42					VT (<1) 0.51			CR	63
1497	142.294 SH / Opt 6 (INN Refo LR/KR/BR/S, Foam): clr / air / clr (SS/SS) 3/4" IG												
	0.087	0.563	0.087						AIR		CL	P1-S	N,G,S
	U-Factor 0.44			SHGC (N / <1) 0.63 / 0.56					VT (N / <1) 0.65 / 0.58			CR	46
1498	142.294 SH / Opt 6 (INN Refo LR/KR/BR/S, Foam): clr / air / clr (DS/DS) 3/4" IG												
	0.118	0.500	0.118						AIR		CL	P1-S	N,G,S
	U-Factor 0.44			SHGC (N / <1) 0.61 / 0.55					VT (N / <1) 0.65 / 0.58			CR	45
1499	142.294 SH / Opt 6 (INN Refo LR/KR/BR/S, Foam): clr / air / clr (5mm/DS) 3/4" IG												
	0.185	0.438	0.118						AIR		CL	P1-S	N,G,S
	U-Factor 0.45			SHGC (N / <1) 0.59 / 0.53					VT (N / <1) 0.64 / 0.57			CR	45
1500	142.294 SH / Opt 6 (INN Refo LR/KR/BR/S, Foam): clr / air / clr (5mm/DS) 3/4" IG												
	0.185	0.438	0.118						AIR		CL	P1-S	G
	U-Factor 0.45			SHGC (<1) 0.53					VT (<1) 0.57			CR	45
1501	142.294 SH / Opt 6 (INN Refo LR/KR/BR/S, Foam): lami / air / clr (DS 090 DS/DS) 3/4" IG												
	0.264	0.345	0.118						AIR		CL	P1-S	N,S
	U-Factor 0.46			SHGC (N / <1) 0.56 / 0.51					VT (N / <1) 0.63 / 0.57			CR	44
	142.294 SH / Opt 6 (INN Refo LR/KR/BR/S, Foam): clr / air / lami (DS/DS 090 DS) 3/4" IG												
	0.118	0.345	0.264						AIR		CL	P1-S	N,S
	U-Factor 0.46			SHGC (N / <1) 0.59 / 0.53					VT (N / <1) 0.63 / 0.57			CR	44

**NFRC 100/200/500 Summary Sheet
Windgate/Belmont/Stormgate Single Hung**

ID	Pane Thickness 1	Gap Width 1	Pane Thickness 2	Gap Width 2	Pane Thickness 3	Gap Width 3	Pane Thickness 4	Gap Fill	Low-e (Surface#)	Tint	Spacer	Grid Type
	U-Factor			Solar Heat Gain Coefficient (SHGC) Grids (None / <1 / >=1)				Visible Transmittance (VT) Grids (None / <1 / >=1)			Condensation Resistance	
1502	142.294 SH / Opt 6 (INN Refo LR/KR/BR/S, Foam): lami / air / clr (DS 090 DS/DS) 3/4" IG											
	0.264	0.345	0.118					AIR		CL	P1-S	G,S
	U-Factor 0.47			SHGC (<1) 0.51				VT (<1) 0.57			CR 44	
	142.294 SH / Opt 6 (INN Refo LR/KR/BR/S, Foam): clr / air / lami (DS/DS 090 DS) 3/4" IG											
	0.118	0.345	0.264					AIR		CL	P1-S	G,S
	U-Factor 0.47			SHGC (<1) 0.53				VT (<1) 0.57			CR 44	
1503	142.294 SH / Opt 6 (INN Refo LR/KR/BR/S, Foam): clr / air / clr / air / clr (SS/SS/SS) 3/4" IG (P1-S)											
	0.087	0.250	0.087	0.250	0.087			AIR		CL	P1-S	N,S
	U-Factor 0.37			SHGC (N / <1) 0.57 / 0.51				VT (N / <1) 0.60 / 0.54			CR 54	
1504	142.294 SH / Opt 6 (INN Refo LR/KR/BR/S, Foam): clr / air / clr / air / clr (SS/SS/SS) 3/4" IG (P1-S)											
	0.087	0.250	0.087	0.250	0.087			AIR		CL	P1-S	G,S
	U-Factor 0.38			SHGC (<1) 0.51				VT (<1) 0.54			CR 54	
1505	142.294 SH / Opt 6 (INN Refo LR/KR/BR/S, Foam): E270 / air / clr (SS/SS) 3/4" IG											
	0.087	0.563	0.087					AIR	0.037(#2)	CL	P1-S	N,G,S
	U-Factor 0.30			SHGC (N / <1) 0.30 / 0.27				VT (N / <1) 0.55 / 0.49			CR 58	
	142.294 SH / Opt 6 (INN Refo LR/KR/BR/S, Foam): clr / air / E270 (SS/SS) 3/4" IG											
	0.087	0.563	0.087					AIR	0.037(#3)	CL	P1-S	N,G,S
	U-Factor 0.30			SHGC (N / <1) 0.37 / 0.33				VT (N / <1) 0.55 / 0.49			CR 58	
1506	142.294 SH / Opt 6 (INN Refo LR/KR/BR/S, Foam): E270 / arg / clr (SS/SS) 3/4" IG											
	0.087	0.563	0.087					ARG90	0.037(#2)	CL	P1-S	N,G,S
	U-Factor 0.27			SHGC (N / <1) 0.29 / 0.26				VT (N / <1) 0.55 / 0.49			CR 63	
	142.294 SH / Opt 6 (INN Refo LR/KR/BR/S, Foam): clr / arg / E270 (SS/SS) 3/4" IG											
	0.087	0.563	0.087					ARG90	0.037(#3)	CL	P1-S	N,G,S
	U-Factor 0.27			SHGC (N / <1) 0.37 / 0.33				VT (N / <1) 0.55 / 0.49			CR 63	
1507	142.294 SH / Opt 6 (INN Refo LR/KR/BR/S, Foam): E270 / air / clr (DS/DS) 3/4" IG											
	0.118	0.500	0.118					AIR	0.037(#2)	CL	P1-S	N,G,S
	U-Factor 0.30			SHGC (N / <1) 0.30 / 0.27				VT (N / <1) 0.55 / 0.49			CR 57	
	142.294 SH / Opt 6 (INN Refo LR/KR/BR/S, Foam): clr / air / E270 (DS/DS) 3/4" IG											
	0.118	0.500	0.118					AIR	0.037(#3)	CL	P1-S	N,G,S
	U-Factor 0.30			SHGC (N / <1) 0.36 / 0.33				VT (N / <1) 0.55 / 0.49			CR 57	

**NFRC 100/200/500 Summary Sheet
Windgate/Belmont/Stormgate Single Hung**

ID	Pane Thickness 1	Gap Width 1	Pane Thickness 2	Gap Width 2	Pane Thickness 3	Gap Width 3	Pane Thickness 4	Gap Fill	Low-e (Surface#)	Tint	Spacer	Grid Type
	U-Factor			Solar Heat Gain Coefficient (SHGC) Grids (None / <1 / >=1)				Visible Transmittance (VT) Grids (None / <1 / >=1)			Condensation Resistance	
1508	142.294 SH / Opt 6 (INN Refo LR/KR/BR/S, Foam): E270 / arg / clr (DS/DS) 3/4" IG											
	0.118	0.500	0.118					ARG90	0.037(#2)	CL	P1-S	N,G,S
	U-Factor 0.27			SHGC (N / <1) 0.29 / 0.26				VT (N / <1) 0.55 / 0.49			CR	62
	142.294 SH / Opt 6 (INN Refo LR/KR/BR/S, Foam): clr / arg / E270 (DS/DS) 3/4" IG											
	0.118	0.500	0.118					ARG90	0.037(#3)	CL	P1-S	N,G,S
	U-Factor 0.27			SHGC (N / <1) 0.36 / 0.33				VT (N / <1) 0.55 / 0.49			CR	62
1509	142.294 SH / Opt 6 (INN Refo LR/KR/BR/S, Foam): lami / arg / E270 (DS 090 DS/DS) 3/4" IG											
	0.264	0.345	0.118					ARG90	0.037(#3)	CL	P1-S	N,S
	U-Factor 0.29			SHGC (N / <1) 0.35 / 0.31				VT (N / <1) 0.54 / 0.48			CR	59
	142.294 SH / Opt 6 (INN Refo LR/KR/BR/S, Foam): E270 / arg / lami (DS/DS 090 DS) 3/4" IG											
	0.118	0.345	0.264					ARG90	0.037(#2)	CL	P1-S	N,S
	U-Factor 0.29			SHGC (N / <1) 0.29 / 0.26				VT (N / <1) 0.54 / 0.48			CR	59
1510	142.294 SH / Opt 6 (INN Refo LR/KR/BR/S, Foam): lami / arg / E270 (DS 090 DS/DS) 3/4" IG											
	0.264	0.345	0.118					ARG90	0.037(#3)	CL	P1-S	G,S
	U-Factor 0.30			SHGC (<1) 0.31				VT (<1) 0.48			CR	59
	142.294 SH / Opt 6 (INN Refo LR/KR/BR/S, Foam): E270 / arg / lami (DS/DS 090 DS) 3/4" IG											
	0.118	0.345	0.264					ARG90	0.037(#2)	CL	P1-S	G,S
	U-Factor 0.30			SHGC (<1) 0.26				VT (<1) 0.48			CR	59
1511	142.294 SH / Opt 6 (INN Refo LR/KR/BR/S, Foam): E270 / arg / clr / arg / E270 (SS/SS/SS) 3/4" IG (P1-S)											
	0.087	0.250	0.087	0.250	0.087			ARG90	0.037(#2) / 0.037(#5)	CL	P1-S	N,S
	U-Factor 0.23			SHGC (N / <1) 0.25 / 0.23				VT (N / <1) 0.43 / 0.39			CR	69
1512	142.294 SH / Opt 6 (INN Refo LR/KR/BR/S, Foam): E270 / arg / clr / arg / E270 (SS/SS/SS) 3/4" IG (P1-S)											
	0.087	0.250	0.087	0.250	0.087			ARG90	0.037(#2) / 0.037(#5)	CL	P1-S	G,S
	U-Factor 0.24			SHGC (<1) 0.23				VT (<1) 0.39			CR	69
1513	142.294 SH / Opt 6 (INN Refo LR/KR/BR/S, Foam): E366 / air / clr (SS/SS) 3/4" IG											
	0.087	0.563	0.087					AIR	0.022(#2)	CL	P1-S	N,G,S
	U-Factor 0.30			SHGC (N / <1) 0.22 / 0.20				VT (N / <1) 0.51 / 0.46			CR	59
	142.294 SH / Opt 6 (INN Refo LR/KR/BR/S, Foam): clr / air / E366 (SS/SS) 3/4" IG											
	0.087	0.563	0.087					AIR	0.022(#3)	CL	P1-S	N,G,S
	U-Factor 0.30			SHGC (N / <1) 0.31 / 0.28				VT (N / <1) 0.51 / 0.46			CR	59

**NFRC 100/200/500 Summary Sheet
Windgate/Belmont/Stormgate Single Hung**

ID	Pane Thickness 1	Gap Width 1	Pane Thickness 2	Gap Width 2	Pane Thickness 3	Gap Width 3	Pane Thickness 4	Gap Fill	Low-e (Surface#)	Tint	Spacer	Grid Type
	U-Factor			Solar Heat Gain Coefficient (SHGC) Grids (None / <1 / >=1)				Visible Transmittance (VT) Grids (None / <1 / >=1)			Condensation Resistance	
1514	142.294 SH / Opt 6 (INN Refo LR/KR/BR/S, Foam): E366 / arg / clr (SS/SS) 3/4" IG											
	0.087	0.563	0.087					ARG90	0.022(#2)	CL	P1-S	N,G,S
	U-Factor 0.26			SHGC (N / <1) 0.22 / 0.20				VT (N / <1) 0.51 / 0.46			CR	63
	142.294 SH / Opt 6 (INN Refo LR/KR/BR/S, Foam): clr / arg / E366 (SS/SS) 3/4" IG											
	0.087	0.563	0.087					ARG90	0.022(#3)	CL	P1-S	N,G,S
	U-Factor 0.26			SHGC (N / <1) 0.31 / 0.28				VT (N / <1) 0.51 / 0.46			CR	63
1515	142.294 SH / Opt 6 (INN Refo LR/KR/BR/S, Foam): E366 / air / clr (DS/DS) 3/4" IG											
	0.117	0.500	0.118					AIR	0.022(#2)	CL	P1-S	N,G,S
	U-Factor 0.30			SHGC (N / <1) 0.22 / 0.20				VT (N / <1) 0.51 / 0.45			CR	58
	142.294 SH / Opt 6 (INN Refo LR/KR/BR/S, Foam): clr / air / E366 (DS/DS) 3/4" IG											
	0.118	0.500	0.117					AIR	0.022(#3)	CL	P1-S	N,G,S
	U-Factor 0.30			SHGC (N / <1) 0.30 / 0.28				VT (N / <1) 0.51 / 0.45			CR	58
1516	142.294 SH / Opt 6 (INN Refo LR/KR/BR/S, Foam): E366 / arg / clr (DS/DS) 3/4" IG											
	0.117	0.500	0.118					ARG90	0.022(#2)	CL	P1-S	N,G,S
	U-Factor 0.26			SHGC (N / <1) 0.22 / 0.20				VT (N / <1) 0.51 / 0.45			CR	62
	142.294 SH / Opt 6 (INN Refo LR/KR/BR/S, Foam): clr / arg / E366 (DS/DS) 3/4" IG											
	0.118	0.500	0.117					ARG90	0.022(#3)	CL	P1-S	N,G,S
	U-Factor 0.26			SHGC (N / <1) 0.31 / 0.28				VT (N / <1) 0.51 / 0.45			CR	62
1517	142.294 SH / Opt 6 (INN Refo LR/KR/BR/S, Foam): lami / arg / E366 (DS 090 DS/DS) 3/4" IG											
	0.264	0.345	0.117					ARG90	0.022(#3)	CL	P1-S	N,S
	U-Factor 0.28			SHGC (N / <1) 0.29 / 0.27				VT (N / <1) 0.50 / 0.44			CR	60
	142.294 SH / Opt 6 (INN Refo LR/KR/BR/S, Foam): E366 / arg / lami (DS/DS 090 DS) 3/4" IG											
	0.117	0.345	0.264					ARG90	0.022(#2)	CL	P1-S	N,S
	U-Factor 0.28			SHGC (N / <1) 0.22 / 0.20				VT (N / <1) 0.50 / 0.44			CR	60
1518	142.294 SH / Opt 6 (INN Refo LR/KR/BR/S, Foam): lami / arg / E366 (DS 090 DS/DS) 3/4" IG											
	0.264	0.345	0.117					ARG90	0.022(#3)	CL	P1-S	G,S
	U-Factor 0.30			SHGC (<1) 0.27				VT (<1) 0.44			CR	60
	142.294 SH / Opt 6 (INN Refo LR/KR/BR/S, Foam): E366 / arg / lami (DS/DS 090 DS) 3/4" IG											
	0.117	0.345	0.264					ARG90	0.022(#2)	CL	P1-S	G,S
	U-Factor 0.30			SHGC (<1) 0.20				VT (<1) 0.44			CR	60

**NFRC 100/200/500 Summary Sheet
Windgate/Belmont/Stormgate Single Hung**

ID	Pane Thickness 1	Gap Width 1	Pane Thickness 2	Gap Width 2	Pane Thickness 3	Gap Width 3	Pane Thickness 4	Gap Fill	Low-e (Surface#)	Tint	Spacer	Grid Type
	U-Factor			Solar Heat Gain Coefficient (SHGC) Grids (None / <1 / >=1)				Visible Transmittance (VT) Grids (None / <1 / >=1)			Condensation Resistance	
1519	142.294 SH / Opt 6 (INN Refo LR/KR/BR/S, Foam): E366 / arg / clr / arg / E366 (SS/SS/SS) 3/4" IG (P1-S)											
	0.087	0.250	0.087	0.250	0.087			ARG90	0.022(#2) / 0.022(#5)	CL	P1-S	N,S
	U-Factor 0.22			SHGC (N / <1) 0.19 / 0.17				VT (N / <1) 0.37 / 0.33			CR 69	
1520	142.294 SH / Opt 6 (INN Refo LR/KR/BR/S, Foam): E366 / arg / clr / arg / E366 (SS/SS/SS) 3/4" IG (P1-S)											
	0.087	0.250	0.087	0.250	0.087			ARG90	0.022(#2) / 0.022(#5)	CL	P1-S	G,S
	U-Factor 0.23			SHGC (<1) 0.17				VT (<1) 0.33			CR 69	
1521	142.294 SH / Opt 6 (INN Refo LR/KR/BR/S, Foam): 70/36 / air / clr (SS/SS) 3/4" IG											
	0.090	0.563	0.090					AIR	0.036(#2)	CL	P1-S	N,G,S
	U-Factor 0.30			SHGC (N / <1) 0.31 / 0.28				VT (N / <1) 0.55 / 0.49			CR 58	
	142.294 SH / Opt 6 (INN Refo LR/KR/BR/S, Foam): clr / air / 70/36 (SS/SS) 3/4" IG											
	0.090	0.563	0.090					AIR	0.036(#3)	CL	P1-S	N,G,S
	U-Factor 0.30			SHGC (N / <1) 0.39 / 0.35				VT (N / <1) 0.55 / 0.49			CR 58	
1522	142.294 SH / Opt 6 (INN Refo LR/KR/BR/S, Foam): 70/36 / arg / clr (SS/SS) 3/4" IG											
	0.090	0.563	0.090					ARG90	0.036(#2)	CL	P1-S	N,G,S
	U-Factor 0.27			SHGC (N / <1) 0.31 / 0.28				VT (N / <1) 0.55 / 0.49			CR 63	
	142.294 SH / Opt 6 (INN Refo LR/KR/BR/S, Foam): clr / arg / 70/36 (SS/SS) 3/4" IG											
	0.090	0.563	0.090					ARG90	0.036(#3)	CL	P1-S	N,G,S
	U-Factor 0.27			SHGC (N / <1) 0.39 / 0.35				VT (N / <1) 0.55 / 0.49			CR 63	
1523	142.294 SH / Opt 6 (INN Refo LR/KR/BR/S, Foam): 70/36 / air / clr (DS/DS) 3/4" IG											
	0.117	0.500	0.117					AIR	0.036(#2)	CL	P1-S	N,G,S
	U-Factor 0.30			SHGC (N / <1) 0.31 / 0.28				VT (N / <1) 0.55 / 0.49			CR 57	
	142.294 SH / Opt 6 (INN Refo LR/KR/BR/S, Foam): clr / air / 70/36 (DS/DS) 3/4" IG											
	0.117	0.500	0.117					AIR	0.036(#3)	CL	P1-S	N,G,S
	U-Factor 0.30			SHGC (N / <1) 0.38 / 0.34				VT (N / <1) 0.55 / 0.49			CR 57	
1524	142.294 SH / Opt 6 (INN Refo LR/KR/BR/S, Foam): 70/36 / arg / clr (DS/DS) 3/4" IG											
	0.117	0.500	0.117					ARG90	0.036(#2)	CL	P1-S	N,G,S
	U-Factor 0.27			SHGC (N / <1) 0.30 / 0.27				VT (N / <1) 0.55 / 0.49			CR 62	
	142.294 SH / Opt 6 (INN Refo LR/KR/BR/S, Foam): clr / arg / 70/36 (DS/DS) 3/4" IG											
	0.117	0.500	0.117					ARG90	0.036(#3)	CL	P1-S	N,G,S
	U-Factor 0.27			SHGC (N / <1) 0.38 / 0.35				VT (N / <1) 0.55 / 0.49			CR 62	

**NFRC 100/200/500 Summary Sheet
Windgate/Belmont/Stormgate Single Hung**

ID	Pane Thickness 1	Gap Width 1	Pane Thickness 2	Gap Width 2	Pane Thickness 3	Gap Width 3	Pane Thickness 4	Gap Fill	Low-e (Surface#)	Tint	Spacer	Grid Type
	U-Factor			Solar Heat Gain Coefficient (SHGC) Grids (None / <1 / >=1)				Visible Transmittance (VT) Grids (None / <1 / >=1)			Condensation Resistance	
1525	142.294 SH / Opt 6 (INN Refo LR/KR/BR/S, Foam): lami / arg / 70/36 (DS 090 DS/DS) 3/4" IG											
	0.264	0.345	0.117					ARG90	0.036(#3)	CL	P1-S	N,S
	U-Factor 0.29			SHGC (N / <1) 0.36 / 0.33				VT (N / <1) 0.54 / 0.48			CR	60
	142.294 SH / Opt 6 (INN Refo LR/KR/BR/S, Foam): 70/36 / arg / lami (DS/DS 090 DS) 3/4" IG											
	0.117	0.345	0.264					ARG90	0.036(#2)	CL	P1-S	N,S
	U-Factor 0.29			SHGC (N / <1) 0.30 / 0.27				VT (N / <1) 0.54 / 0.48			CR	60
1526	142.294 SH / Opt 6 (INN Refo LR/KR/BR/S, Foam): lami / arg / 70/36 (DS 090 DS/DS) 3/4" IG											
	0.264	0.345	0.117					ARG90	0.036(#3)	CL	P1-S	G,S
	U-Factor 0.30			SHGC (<1) 0.33				VT (<1) 0.48			CR	59
	142.294 SH / Opt 6 (INN Refo LR/KR/BR/S, Foam): 70/36 / arg / lami (DS/DS 090 DS) 3/4" IG											
	0.117	0.345	0.264					ARG90	0.036(#2)	CL	P1-S	G,S
	U-Factor 0.30			SHGC (<1) 0.27				VT (<1) 0.48			CR	59
1527	142.294 SH / Opt 6 (INN Refo LR/KR/BR/S, Foam): 70/36 / arg / clr / arg / 70/36 (SS/SS/SS) 3/4" IG											
	0.090	0.250	0.090	0.250	0.090			ARG90	0.036(#2) / 0.036(#5)	CL	P1-S	N,S
	U-Factor 0.23			SHGC (N / <1) 0.26 / 0.24				VT (N / <1) 0.43 / 0.39			CR	69
1528	142.294 SH / Opt 6 (INN Refo LR/KR/BR/S, Foam): 70/36 / arg / clr / arg / 70/36 (SS/SS/SS) 3/4" IG											
	0.090	0.250	0.090	0.250	0.090			ARG90	0.036(#2) / 0.036(#5)	CL	P1-S	G,S
	U-Factor 0.24			SHGC (<1) 0.24				VT (<1) 0.39			CR	69
1529	142.294 SH / Opt 6 (INN Refo LR/KR/BR/S, Foam): 80/70 / air / clr (SS/SS) 3/4" IG											
	0.090	0.563	0.090					AIR	0.095(#2)	CL	P1-S	N,G,S
	U-Factor 0.32			SHGC (N / <1) 0.53 / 0.48				VT (N / <1) 0.64 / 0.57			CR	57
	142.294 SH / Opt 6 (INN Refo LR/KR/BR/S, Foam): clr / air / 80/70 (SS/SS) 3/4" IG											
	0.090	0.563	0.090					AIR	0.095(#3)	CL	P1-S	N,G,S
	U-Factor 0.32			SHGC (N / <1) 0.56 / 0.50				VT (N / <1) 0.64 / 0.57			CR	57
1530	142.294 SH / Opt 6 (INN Refo LR/KR/BR/S, Foam): 80/70 / arg / clr (SS/SS) 3/4" IG											
	0.090	0.563	0.090					ARG90	0.095(#2)	CL	P1-S	N,G,S
	U-Factor 0.29			SHGC (N / <1) 0.53 / 0.48				VT (N / <1) 0.64 / 0.57			CR	61
	142.294 SH / Opt 6 (INN Refo LR/KR/BR/S, Foam): clr / arg / 80/70 (SS/SS) 3/4" IG											
	0.090	0.563	0.090					ARG90	0.095(#3)	CL	P1-S	N,G,S
	U-Factor 0.29			SHGC (N / <1) 0.56 / 0.50				VT (N / <1) 0.64 / 0.57			CR	61

NFRC 100/200/500 Summary Sheet Windgate/Belmont/Stormgate Single Hung

ID	Pane Thickness 1	Gap Width 1	Pane Thickness 2	Gap Width 2	Pane Thickness 3	Gap Width 3	Pane Thickness 4	Gap Fill	Low-e (Surface#)	Tint	Spacer	Grid Type
	U-Factor			Solar Heat Gain Coefficient (SHGC) Grids (None / <1 / >=1)				Visible Transmittance (VT) Grids (None / <1 / >=1)			Condensation Resistance	
1531	142.294 SH / Opt 6 (INN Refo LR/KR/BR/S, Foam): 80/70 / air / clr (DS/DS) 3/4" IG											
	0.117	0.500	0.117					AIR	0.095(#2)	CL	P1-S	N,G,S
	U-Factor 0.32			SHGC (N / <1) 0.52 / 0.47				VT (N / <1) 0.63 / 0.57			CR 56	
1532	142.294 SH / Opt 6 (INN Refo LR/KR/BR/S, Foam): clr / air / 80/70 (DS/DS) 3/4" IG											
	0.117	0.500	0.117					AIR	0.095(#3)	CL	P1-S	N,G,S
	U-Factor 0.32			SHGC (N / <1) 0.55 / 0.50				VT (N / <1) 0.63 / 0.57			CR 56	
1532	142.294 SH / Opt 6 (INN Refo LR/KR/BR/S, Foam): 80/70 / arg / clr (DS/DS) 3/4" IG											
	0.117	0.500	0.117					ARG90	0.095(#2)	CL	P1-S	N,G,S
	U-Factor 0.28			SHGC (N / <1) 0.52 / 0.47				VT (N / <1) 0.63 / 0.57			CR 60	
1532	142.294 SH / Opt 6 (INN Refo LR/KR/BR/S, Foam): clr / arg / 80/70 (DS/DS) 3/4" IG											
	0.117	0.500	0.117					ARG90	0.095(#3)	CL	P1-S	N,G,S
	U-Factor 0.28			SHGC (N / <1) 0.55 / 0.50				VT (N / <1) 0.63 / 0.57			CR 60	
1533	142.294 SH / Opt 6 (INN Refo LR/KR/BR/S, Foam): lami / arg / 80/70 (DS 090 DS/DS) 3/4" IG											
	0.264	0.345	0.117					ARG90	0.095(#3)	CL	P1-S	N,S
	U-Factor 0.30			SHGC (N / <1) 0.51 / 0.46				VT (N / <1) 0.62 / 0.56			CR 58	
1533	142.294 SH / Opt 6 (INN Refo LR/KR/BR/S, Foam): 80/70 / arg / lami (DS/DS 090 DS) 3/4" IG											
	0.117	0.345	0.264					ARG90	0.095(#2)	CL	P1-S	N,S
	U-Factor 0.30			SHGC (N / <1) 0.51 / 0.46				VT (N / <1) 0.62 / 0.56			CR 58	
1534	142.294 SH / Opt 6 (INN Refo LR/KR/BR/S, Foam): lami / arg / 80/70 (DS 090 DS/DS) 3/4" IG											
	0.264	0.345	0.117					ARG90	0.095(#3)	CL	P1-S	G,S
	U-Factor 0.32			SHGC (<1) 0.46				VT (<1) 0.56			CR 58	
1534	142.294 SH / Opt 6 (INN Refo LR/KR/BR/S, Foam): 80/70 / arg / lami (DS/DS 090 DS) 3/4" IG											
	0.117	0.345	0.264					ARG90	0.095(#2)	CL	P1-S	G,S
	U-Factor 0.32			SHGC (<1) 0.46				VT (<1) 0.56			CR 58	
1535	142.294 SH / Opt 6 (INN Refo LR/KR/BR/S, Foam): 80/70 / arg / clr / arg / 80/70 (SS/SS/SS) 3/4" IG											
	0.090	0.250	0.090	0.250	0.090			ARG90	0.095(#2) / 0.095(#5)	CL	P1-S	N,S
	U-Factor 0.24			SHGC (N / <1) 0.47 / 0.42				VT (N / <1) 0.58 / 0.51			CR 68	
1536	142.294 SH / Opt 6 (INN Refo LR/KR/BR/S, Foam): 80/70 / arg / clr / arg / 80/70 (SS/SS/SS) 3/4" IG											
	0.090	0.250	0.090	0.250	0.090			ARG90	0.095(#2) / 0.095(#5)	CL	P1-S	G,S
	U-Factor 0.25			SHGC (<1) 0.42				VT (<1) 0.51			CR 68	

**NFRC 100/200/500 Summary Sheet
 Windgate/Belmont/Stormgate Single Hung**

ID	Pane Thickness 1	Gap Width 1	Pane Thickness 2	Gap Width 2	Pane Thickness 3	Gap Width 3	Pane Thickness 4	Gap Fill	Low-e (Surface#)	Tint	Spacer	Grid Type
	U-Factor			Solar Heat Gain Coefficient (SHGC) Grids (None / <1 / >=1)				Visible Transmittance (VT) Grids (None / <1 / >=1)			Condensation Resistance	
1537	142.294 SH / Opt 6 (INN Refo LR/KR/BR/S, Foam): clr / air / clr (SS/SS) 3/4" IG											
	0.087	0.563	0.087					AIR		CL	SS-D	N,G,S
	U-Factor 0.45			SHGC (N / <1) 0.63 / 0.56				VT (N / <1) 0.65 / 0.58			CR 45	
1538	142.294 SH / Opt 6 (INN Refo LR/KR/BR/S, Foam): clr / air / clr (DS/DS) 3/4" IG											
	0.118	0.500	0.118					AIR		CL	SS-D	N,G,S
	U-Factor 0.45			SHGC (N / <1) 0.61 / 0.55				VT (N / <1) 0.65 / 0.58			CR 44	
1539	142.294 SH / Opt 6 (INN Refo LR/KR/BR/S, Foam): clr / air / clr (5mm/DS) 3/4" IG											
	0.185	0.438	0.118					AIR		CL	SS-D	N,G,S
	U-Factor 0.46			SHGC (N / <1) 0.59 / 0.53				VT (N / <1) 0.64 / 0.57			CR 44	
1540	142.294 SH / Opt 6 (INN Refo LR/KR/BR/S, Foam): clr / air / clr (5mm/DS) 3/4" IG											
	0.185	0.438	0.118					AIR		CL	SS-D	G
	U-Factor 0.46			SHGC (<1) 0.53				VT (<1) 0.57			CR 44	
1541	142.294 SH / Opt 6 (INN Refo LR/KR/BR/S, Foam): lami / air / clr (DS 090 DS/DS) 3/4" IG											
	0.264	0.345	0.118					AIR		CL	SS-D	N,S
	U-Factor 0.47			SHGC (N / <1) 0.56 / 0.51				VT (N / <1) 0.63 / 0.57			CR 43	
	142.294 SH / Opt 6 (INN Refo LR/KR/BR/S, Foam): clr / air / lami (DS/DS 090 DS) 3/4" IG											
	0.118	0.345	0.264					AIR		CL	SS-D	N,S
	U-Factor 0.47			SHGC (N / <1) 0.59 / 0.53				VT (N / <1) 0.63 / 0.57			CR 43	
1542	142.294 SH / Opt 6 (INN Refo LR/KR/BR/S, Foam): lami / air / clr (DS 090 DS/DS) 3/4" IG											
	0.264	0.345	0.118					AIR		CL	SS-D	G,S
	U-Factor 0.48			SHGC (<1) 0.51				VT (<1) 0.57			CR 43	
	142.294 SH / Opt 6 (INN Refo LR/KR/BR/S, Foam): clr / air / lami (DS/DS 090 DS) 3/4" IG											
	0.118	0.345	0.264					AIR		CL	SS-D	G,S
	U-Factor 0.48			SHGC (<1) 0.53				VT (<1) 0.57			CR 43	
1543	142.294 SH / Opt 6 (INN Refo LR/KR/BR/S, Foam): clr / air / clr / air / clr (SS/SS/SS) 3/4" IG (P1-S)											
	0.087	0.250	0.087	0.250	0.087			AIR		CL	SS-D	N,S
	U-Factor 0.37			SHGC (N / <1) 0.57 / 0.51				VT (N / <1) 0.60 / 0.54			CR 53	
1544	142.294 SH / Opt 6 (INN Refo LR/KR/BR/S, Foam): clr / air / clr / air / clr (SS/SS/SS) 3/4" IG (P1-S)											
	0.087	0.250	0.087	0.250	0.087			AIR		CL	SS-D	G,S
	U-Factor 0.38			SHGC (<1) 0.51				VT (<1) 0.54			CR 53	

**NFRC 100/200/500 Summary Sheet
 Windgate/Belmont/Stormgate Single Hung**

ID	Pane Thickness 1	Gap Width 1	Pane Thickness 2	Gap Width 2	Pane Thickness 3	Gap Width 3	Pane Thickness 4	Gap Fill	Low-e (Surface#)	Tint	Spacer	Grid Type
	U-Factor			Solar Heat Gain Coefficient (SHGC) Grids (None / <1 / >=1)				Visible Transmittance (VT) Grids (None / <1 / >=1)			Condensation Resistance	
1545	142.294 SH / Opt 6 (INN Refo LR/KR/BR/S, Foam): E270 / air / clr (SS/SS) 3/4" IG											
	0.087	0.563	0.087					AIR	0.037(#2)	CL	SS-D	N,G,S
	U-Factor 0.31			SHGC (N / <1) 0.30 / 0.27				VT (N / <1) 0.55 / 0.49			CR 56	
	142.294 SH / Opt 6 (INN Refo LR/KR/BR/S, Foam): clr / air / E270 (SS/SS) 3/4" IG											
	0.087	0.563	0.087					AIR	0.037(#3)	CL	SS-D	N,G,S
	U-Factor 0.31			SHGC (N / <1) 0.37 / 0.33				VT (N / <1) 0.55 / 0.49			CR 56	
1546	142.294 SH / Opt 6 (INN Refo LR/KR/BR/S, Foam): E270 / arg / clr (SS/SS) 3/4" IG											
	0.087	0.563	0.087					ARG90	0.037(#2)	CL	SS-D	N,G,S
	U-Factor 0.28			SHGC (N / <1) 0.29 / 0.26				VT (N / <1) 0.55 / 0.49			CR 59	
	142.294 SH / Opt 6 (INN Refo LR/KR/BR/S, Foam): clr / arg / E270 (SS/SS) 3/4" IG											
	0.087	0.563	0.087					ARG90	0.037(#3)	CL	SS-D	N,G,S
	U-Factor 0.28			SHGC (N / <1) 0.37 / 0.33				VT (N / <1) 0.55 / 0.49			CR 59	
1547	142.294 SH / Opt 6 (INN Refo LR/KR/BR/S, Foam): E270 / air / clr (DS/DS) 3/4" IG											
	0.118	0.500	0.118					AIR	0.037(#2)	CL	SS-D	N,G,S
	U-Factor 0.31			SHGC (N / <1) 0.30 / 0.27				VT (N / <1) 0.55 / 0.49			CR 55	
	142.294 SH / Opt 6 (INN Refo LR/KR/BR/S, Foam): clr / air / E270 (DS/DS) 3/4" IG											
	0.118	0.500	0.118					AIR	0.037(#3)	CL	SS-D	N,G,S
	U-Factor 0.31			SHGC (N / <1) 0.36 / 0.33				VT (N / <1) 0.55 / 0.49			CR 55	
1548	142.294 SH / Opt 6 (INN Refo LR/KR/BR/S, Foam): E270 / arg / clr (DS/DS) 3/4" IG											
	0.118	0.500	0.118					ARG90	0.037(#2)	CL	SS-D	N,G,S
	U-Factor 0.28			SHGC (N / <1) 0.29 / 0.26				VT (N / <1) 0.55 / 0.49			CR 59	
	142.294 SH / Opt 6 (INN Refo LR/KR/BR/S, Foam): clr / arg / E270 (DS/DS) 3/4" IG											
	0.118	0.500	0.118					ARG90	0.037(#3)	CL	SS-D	N,G,S
	U-Factor 0.28			SHGC (N / <1) 0.36 / 0.33				VT (N / <1) 0.55 / 0.49			CR 59	
1549	142.294 SH / Opt 6 (INN Refo LR/KR/BR/S, Foam): lami / arg / E270 (DS 090 DS/DS) 3/4" IG											
	0.264	0.345	0.118					ARG90	0.037(#3)	CL	SS-D	N,S
	U-Factor 0.30			SHGC (N / <1) 0.35 / 0.31				VT (N / <1) 0.54 / 0.48			CR 56	
	142.294 SH / Opt 6 (INN Refo LR/KR/BR/S, Foam): E270 / arg / lami (DS/DS 090 DS) 3/4" IG											
	0.118	0.345	0.264					ARG90	0.037(#2)	CL	SS-D	N,S
	U-Factor 0.30			SHGC (N / <1) 0.29 / 0.26				VT (N / <1) 0.54 / 0.48			CR 56	

**NFRC 100/200/500 Summary Sheet
Windgate/Belmont/Stormgate Single Hung**

ID	Pane Thickness 1	Gap Width 1	Pane Thickness 2	Gap Width 2	Pane Thickness 3	Gap Width 3	Pane Thickness 4	Gap Fill	Low-e (Surface#)	Tint	Spacer	Grid Type
	U-Factor			Solar Heat Gain Coefficient (SHGC) Grids (None / <1 / >=1)				Visible Transmittance (VT) Grids (None / <1 / >=1)			Condensation Resistance	
1550	142.294 SH / Opt 6 (INN Refo LR/KR/BR/S, Foam): lami / arg / E270 (DS 090 DS/DS) 3/4" IG											
	0.264	0.345	0.118					ARG90	0.037(#3)	CL	SS-D	G,S
	U-Factor 0.31			SHGC (<1) 0.31				VT (<1) 0.48			CR 56	
	142.294 SH / Opt 6 (INN Refo LR/KR/BR/S, Foam): E270 / arg / lami (DS/DS 090 DS) 3/4" IG											
	0.118	0.345	0.264					ARG90	0.037(#2)	CL	SS-D	G,S
	U-Factor 0.31			SHGC (<1) 0.26				VT (<1) 0.48			CR 56	
1551	142.294 SH / Opt 6 (INN Refo LR/KR/BR/S, Foam): E270 / arg / clr / arg / E270 (SS/SS/SS) 3/4" IG (SS-D)											
	0.087	0.266	0.087	0.266	0.087			ARG90	0.037(#2) / 0.037(#5)	CL	SS-D	N,S
	U-Factor 0.23			SHGC (N / <1) 0.25 / 0.23				VT (N / <1) 0.43 / 0.39			CR 67	
1552	142.294 SH / Opt 6 (INN Refo LR/KR/BR/S, Foam): E270 / arg / clr / arg / E270 (SS/SS/SS) 3/4" IG (SS-D)											
	0.087	0.266	0.087	0.266	0.087			ARG90	0.037(#2) / 0.037(#5)	CL	SS-D	G,S
	U-Factor 0.24			SHGC (<1) 0.23				VT (<1) 0.39			CR 67	
1553	142.294 SH / Opt 6 (INN Refo LR/KR/BR/S, Foam): E366 / air / clr (SS/SS) 3/4" IG											
	0.087	0.563	0.087					AIR	0.022(#2)	CL	SS-D	N,G,S
	U-Factor 0.31			SHGC (N / <1) 0.22 / 0.20				VT (N / <1) 0.51 / 0.46			CR 56	
	142.294 SH / Opt 6 (INN Refo LR/KR/BR/S, Foam): clr / air / E366 (SS/SS) 3/4" IG											
	0.087	0.563	0.087					AIR	0.022(#3)	CL	SS-D	N,G,S
	U-Factor 0.31			SHGC (N / <1) 0.31 / 0.28				VT (N / <1) 0.51 / 0.46			CR 56	
1554	142.294 SH / Opt 6 (INN Refo LR/KR/BR/S, Foam): E366 / arg / clr (SS/SS) 3/4" IG											
	0.087	0.563	0.087					ARG90	0.022(#2)	CL	SS-D	N,G,S
	U-Factor 0.27			SHGC (N / <1) 0.22 / 0.20				VT (N / <1) 0.51 / 0.46			CR 60	
	142.294 SH / Opt 6 (INN Refo LR/KR/BR/S, Foam): clr / arg / E366 (SS/SS) 3/4" IG											
	0.087	0.563	0.087					ARG90	0.022(#3)	CL	SS-D	N,G,S
	U-Factor 0.27			SHGC (N / <1) 0.31 / 0.28				VT (N / <1) 0.51 / 0.46			CR 60	
1555	142.294 SH / Opt 6 (INN Refo LR/KR/BR/S, Foam): E366 / air / clr (DS/DS) 3/4" IG											
	0.117	0.500	0.118					AIR	0.022(#2)	CL	SS-D	N,G,S
	U-Factor 0.31			SHGC (N / <1) 0.22 / 0.20				VT (N / <1) 0.51 / 0.45			CR 55	
	142.294 SH / Opt 6 (INN Refo LR/KR/BR/S, Foam): clr / air / E366 (DS/DS) 3/4" IG											
	0.118	0.500	0.117					AIR	0.022(#3)	CL	SS-D	N,G,S
	U-Factor 0.31			SHGC (N / <1) 0.30 / 0.28				VT (N / <1) 0.51 / 0.45			CR 55	

**NFRC 100/200/500 Summary Sheet
 Windgate/Belmont/Stormgate Single Hung**

ID	Pane Thickness 1	Gap Width 1	Pane Thickness 2	Gap Width 2	Pane Thickness 3	Gap Width 3	Pane Thickness 4	Gap Fill	Low-e (Surface#)	Tint	Spacer	Grid Type
	U-Factor			Solar Heat Gain Coefficient (SHGC) Grids (None / <1 / >=1)				Visible Transmittance (VT) Grids (None / <1 / >=1)			Condensation Resistance	
1556	142.294 SH / Opt 6 (INN Refo LR/KR/BR/S, Foam): E366 / arg / clr (DS/DS) 3/4" IG											
	0.117	0.500	0.118					ARG90	0.022(#2)	CL	SS-D	N,G,S
	U-Factor 0.27			SHGC (N / <1) 0.22 / 0.20				VT (N / <1) 0.51 / 0.45			CR 59	
	142.294 SH / Opt 6 (INN Refo LR/KR/BR/S, Foam): clr / arg / E366 (DS/DS) 3/4" IG											
	0.118	0.500	0.117					ARG90	0.022(#3)	CL	SS-D	N,G,S
	U-Factor 0.27			SHGC (N / <1) 0.31 / 0.28				VT (N / <1) 0.51 / 0.45			CR 59	
1557	142.294 SH / Opt 6 (INN Refo LR/KR/BR/S, Foam): lami / arg / E366 (DS 090 DS/DS) 3/4" IG											
	0.264	0.345	0.117					ARG90	0.022(#3)	CL	SS-D	N,S
	U-Factor 0.29			SHGC (N / <1) 0.29 / 0.27				VT (N / <1) 0.50 / 0.44			CR 57	
	142.294 SH / Opt 6 (INN Refo LR/KR/BR/S, Foam): E366 / arg / lami (DS/DS 090 DS) 3/4" IG											
	0.117	0.345	0.264					ARG90	0.022(#2)	CL	SS-D	N,S
	U-Factor 0.29			SHGC (N / <1) 0.22 / 0.20				VT (N / <1) 0.50 / 0.44			CR 57	
1558	142.294 SH / Opt 6 (INN Refo LR/KR/BR/S, Foam): lami / arg / E366 (DS 090 DS/DS) 3/4" IG											
	0.264	0.345	0.117					ARG90	0.022(#3)	CL	SS-D	G,S
	U-Factor 0.31			SHGC (<1) 0.27				VT (<1) 0.44			CR 57	
	142.294 SH / Opt 6 (INN Refo LR/KR/BR/S, Foam): E366 / arg / lami (DS/DS 090 DS) 3/4" IG											
	0.117	0.345	0.264					ARG90	0.022(#2)	CL	SS-D	G,S
	U-Factor 0.31			SHGC (<1) 0.20				VT (<1) 0.44			CR 57	
1559	142.294 SH / Opt 6 (INN Refo LR/KR/BR/S, Foam): E366 / arg / clr / arg / E366 (SS/SS/SS) 3/4" IG (SS-D)											
	0.087	0.266	0.087	0.266	0.087			ARG90	0.022(#2) / 0.022(#5)	CL	SS-D	N,S
	U-Factor 0.23			SHGC (N / <1) 0.19 / 0.17				VT (N / <1) 0.37 / 0.33			CR 67	
1560	142.294 SH / Opt 6 (INN Refo LR/KR/BR/S, Foam): E366 / arg / clr / arg / E366 (SS/SS/SS) 3/4" IG (SS-D)											
	0.087	0.266	0.087	0.266	0.087			ARG90	0.022(#2) / 0.022(#5)	CL	SS-D	G,S
	U-Factor 0.23			SHGC (<1) 0.17				VT (<1) 0.33			CR 67	
1561	142.294 SH / Opt 6 (INN Refo LR/KR/BR/S, Foam): clr / air / clr (SS/SS) 3/4" IG											
	0.087	0.563	0.087					AIR		CL	TS-D	N,G,S
	U-Factor 0.45			SHGC (N / <1) 0.63 / 0.56				VT (N / <1) 0.65 / 0.58			CR 44	
1562	142.294 SH / Opt 6 (INN Refo LR/KR/BR/S, Foam): clr / air / clr (DS/DS) 3/4" IG											
	0.118	0.500	0.118					AIR		CL	TS-D	N,G,S
	U-Factor 0.45			SHGC (N / <1) 0.61 / 0.55				VT (N / <1) 0.65 / 0.58			CR 43	

NFRC 100/200/500 Summary Sheet Windgate/Belmont/Stormgate Single Hung

ID	Pane Thickness 1	Gap Width 1	Pane Thickness 2	Gap Width 2	Pane Thickness 3	Gap Width 3	Pane Thickness 4	Gap Fill	Low-e (Surface#)	Tint	Spacer	Grid Type
	U-Factor			Solar Heat Gain Coefficient (SHGC) Grids (None / <1 / >=1)				Visible Transmittance (VT) Grids (None / <1 / >=1)			Condensation Resistance	
1563	142.294 SH / Opt 6 (INN Refo LR/KR/BR/S, Foam): clr / air / clr (5mm/DS) 3/4" IG											
	0.185	0.438	0.118					AIR		CL	TS-D	N,G,S
	U-Factor 0.46			SHGC (N / <1) 0.59 / 0.53				VT (N / <1) 0.64 / 0.57			CR 43	
1564	142.294 SH / Opt 6 (INN Refo LR/KR/BR/S, Foam): clr / air / clr (5mm/DS) 3/4" IG											
	0.185	0.438	0.118					AIR		CL	TS-D	G
	U-Factor 0.46			SHGC (<1) 0.53				VT (<1) 0.57			CR 43	
1565	142.294 SH / Opt 6 (INN Refo LR/KR/BR/S, Foam): lami / air / clr (DS 090 DS/DS) 3/4" IG											
	0.264	0.345	0.118					AIR		CL	TS-D	N,S
	U-Factor 0.47			SHGC (N / <1) 0.56 / 0.51				VT (N / <1) 0.63 / 0.57			CR 42	
	142.294 SH / Opt 6 (INN Refo LR/KR/BR/S, Foam): clr / air / lami (DS/DS 090 DS) 3/4" IG											
	0.118	0.345	0.264					AIR		CL	TS-D	N,S
	U-Factor 0.47			SHGC (N / <1) 0.59 / 0.53				VT (N / <1) 0.63 / 0.57			CR 42	
1566	142.294 SH / Opt 6 (INN Refo LR/KR/BR/S, Foam): lami / air / clr (DS 090 DS/DS) 3/4" IG											
	0.264	0.345	0.118					AIR		CL	TS-D	G,S
	U-Factor 0.48			SHGC (<1) 0.51				VT (<1) 0.57			CR 42	
	142.294 SH / Opt 6 (INN Refo LR/KR/BR/S, Foam): clr / air / lami (DS/DS 090 DS) 3/4" IG											
	0.118	0.345	0.264					AIR		CL	TS-D	G,S
	U-Factor 0.48			SHGC (<1) 0.53				VT (<1) 0.57			CR 42	
1567	142.294 SH / Opt 6 (INN Refo LR/KR/BR/S, Foam): clr / air / clr / air / clr (SS/SS/SS) 3/4" IG (P1-S)											
	0.087	0.250	0.087	0.250	0.087			AIR		CL	TS-D	N,S
	U-Factor 0.38			SHGC (N / <1) 0.57 / 0.51				VT (N / <1) 0.60 / 0.54			CR 52	
1568	142.294 SH / Opt 6 (INN Refo LR/KR/BR/S, Foam): clr / air / clr / air / clr (SS/SS/SS) 3/4" IG (P1-S)											
	0.087	0.250	0.087	0.250	0.087			AIR		CL	TS-D	G,S
	U-Factor 0.39			SHGC (<1) 0.51				VT (<1) 0.54			CR 52	
1569	142.294 SH / Opt 6 (INN Refo LR/KR/BR/S, Foam): 70/36 / air / clr (SS/SS) 3/4" IG											
	0.090	0.563	0.090					AIR	0.036(#2)	CL	TS-D	N,G,S
	U-Factor 0.32			SHGC (N / <1) 0.31 / 0.28				VT (N / <1) 0.55 / 0.49			CR 55	
	142.294 SH / Opt 6 (INN Refo LR/KR/BR/S, Foam): clr / air / 70/36 (SS/SS) 3/4" IG											
	0.090	0.563	0.090					AIR	0.036(#3)	CL	TS-D	N,G,S
	U-Factor 0.32			SHGC (N / <1) 0.39 / 0.35				VT (N / <1) 0.55 / 0.49			CR 55	

**NFRC 100/200/500 Summary Sheet
Windgate/Belmont/Stormgate Single Hung**

ID	Pane Thickness 1	Gap Width 1	Pane Thickness 2	Gap Width 2	Pane Thickness 3	Gap Width 3	Pane Thickness 4	Gap Fill	Low-e (Surface#)	Tint	Spacer	Grid Type
	U-Factor			Solar Heat Gain Coefficient (SHGC) Grids (None / <1 / >=1)				Visible Transmittance (VT) Grids (None / <1 / >=1)			Condensation Resistance	
1570	142.294 SH / Opt 6 (INN Refo LR/KR/BR/S, Foam): 70/36 / arg / clr (SS/SS) 3/4" IG											
	0.090	0.563	0.090					ARG90	0.036(#2)	CL	TS-D	N,G,S
	U-Factor 0.28			SHGC (N / <1) 0.31 / 0.28				VT (N / <1) 0.55 / 0.49			CR 58	
	142.294 SH / Opt 6 (INN Refo LR/KR/BR/S, Foam): clr / arg / 70/36 (SS/SS) 3/4" IG											
	0.090	0.563	0.090					ARG90	0.036(#3)	CL	TS-D	N,G,S
	U-Factor 0.28			SHGC (N / <1) 0.39 / 0.35				VT (N / <1) 0.55 / 0.49			CR 58	
1571	142.294 SH / Opt 6 (INN Refo LR/KR/BR/S, Foam): 70/36 / air / clr (DS/DS) 3/4" IG											
	0.117	0.500	0.117					AIR	0.036(#2)	CL	TS-D	N,G,S
	U-Factor 0.31			SHGC (N / <1) 0.31 / 0.28				VT (N / <1) 0.55 / 0.49			CR 54	
	142.294 SH / Opt 6 (INN Refo LR/KR/BR/S, Foam): clr / air / 70/36 (DS/DS) 3/4" IG											
	0.117	0.500	0.117					AIR	0.036(#3)	CL	TS-D	N,G,S
	U-Factor 0.31			SHGC (N / <1) 0.38 / 0.34				VT (N / <1) 0.55 / 0.49			CR 54	
1572	142.294 SH / Opt 6 (INN Refo LR/KR/BR/S, Foam): 70/36 / arg / clr (DS/DS) 3/4" IG											
	0.117	0.500	0.117					ARG90	0.036(#2)	CL	TS-D	N,G,S
	U-Factor 0.28			SHGC (N / <1) 0.30 / 0.27				VT (N / <1) 0.55 / 0.49			CR 57	
	142.294 SH / Opt 6 (INN Refo LR/KR/BR/S, Foam): clr / arg / 70/36 (DS/DS) 3/4" IG											
	0.117	0.500	0.117					ARG90	0.036(#3)	CL	TS-D	N,G,S
	U-Factor 0.28			SHGC (N / <1) 0.38 / 0.35				VT (N / <1) 0.55 / 0.49			CR 57	
1573	142.294 SH / Opt 6 (INN Refo LR/KR/BR/S, Foam): lami / arg / 70/36 (DS 090 DS/DS) 3/4" IG											
	0.264	0.345	0.117					ARG90	0.036(#3)	CL	TS-D	N,S
	U-Factor 0.30			SHGC (N / <1) 0.36 / 0.33				VT (N / <1) 0.54 / 0.48			CR 55	
	142.294 SH / Opt 6 (INN Refo LR/KR/BR/S, Foam): 70/36 / arg / lami (DS/DS 090 DS) 3/4" IG											
	0.117	0.345	0.264					ARG90	0.036(#2)	CL	TS-D	N,S
	U-Factor 0.30			SHGC (N / <1) 0.30 / 0.27				VT (N / <1) 0.54 / 0.48			CR 55	
1574	142.294 SH / Opt 6 (INN Refo LR/KR/BR/S, Foam): lami / arg / 70/36 (DS 090 DS/DS) 3/4" IG											
	0.264	0.345	0.117					ARG90	0.036(#3)	CL	TS-D	G,S
	U-Factor 0.31			SHGC (<1) 0.33				VT (<1) 0.48			CR 55	
	142.294 SH / Opt 6 (INN Refo LR/KR/BR/S, Foam): 70/36 / arg / lami (DS/DS 090 DS) 3/4" IG											
	0.117	0.345	0.264					ARG90	0.036(#2)	CL	TS-D	G,S
	U-Factor 0.31			SHGC (<1) 0.27				VT (<1) 0.48			CR 55	

**NFRC 100/200/500 Summary Sheet
Windgate/Belmont/Stormgate Single Hung**

ID	Pane Thickness 1	Gap Width 1	Pane Thickness 2	Gap Width 2	Pane Thickness 3	Gap Width 3	Pane Thickness 4	Gap Fill	Low-e (Surface#)	Tint	Spacer	Grid Type
	U-Factor			Solar Heat Gain Coefficient (SHGC) Grids (None / <1 / >=1)				Visible Transmittance (VT) Grids (None / <1 / >=1)			Condensation Resistance	
1575	142.294 SH / Opt 6 (INN Refo LR/KR/BR/S, Foam): 70/36 / arg / clr / arg / 70/36 (SS/SS/SS) 3/4" IG											
	0.090	0.250	0.090	0.250	0.090			ARG90	0.036(#2) / 0.036(#5)	CL	TS-D	N,S
	U-Factor 0.24			SHGC (N / <1) 0.26 / 0.24				VT (N / <1) 0.43 / 0.39			CR 64	
1576	142.294 SH / Opt 6 (INN Refo LR/KR/BR/S, Foam): 70/36 / arg / clr / arg / 70/36 (SS/SS/SS) 3/4" IG											
	0.090	0.250	0.090	0.250	0.090			ARG90	0.036(#2) / 0.036(#5)	CL	TS-D	G,S
	U-Factor 0.25			SHGC (<1) 0.24				VT (<1) 0.39			CR 64	
1577	142.294 SH / Opt 6 (INN Refo LR/KR/BR/S, Foam): 80/70 / air / clr (SS/SS) 3/4" IG											
	0.090	0.563	0.090					AIR	0.095(#2)	CL	TS-D	N,G,S
	U-Factor 0.33			SHGC (N / <1) 0.53 / 0.48				VT (N / <1) 0.64 / 0.57			CR 54	
	142.294 SH / Opt 6 (INN Refo LR/KR/BR/S, Foam): clr / air / 80/70 (SS/SS) 3/4" IG											
	0.090	0.563	0.090					AIR	0.095(#3)	CL	TS-D	N,G,S
	U-Factor 0.33			SHGC (N / <1) 0.56 / 0.50				VT (N / <1) 0.64 / 0.57			CR 54	
1578	142.294 SH / Opt 6 (INN Refo LR/KR/BR/S, Foam): 80/70 / arg / clr (SS/SS) 3/4" IG											
	0.090	0.563	0.090					ARG90	0.095(#2)	CL	TS-D	N,G,S
	U-Factor 0.30			SHGC (N / <1) 0.53 / 0.48				VT (N / <1) 0.64 / 0.57			CR 57	
	142.294 SH / Opt 6 (INN Refo LR/KR/BR/S, Foam): clr / arg / 80/70 (SS/SS) 3/4" IG											
	0.090	0.563	0.090					ARG90	0.095(#3)	CL	TS-D	N,G,S
	U-Factor 0.30			SHGC (N / <1) 0.56 / 0.50				VT (N / <1) 0.64 / 0.57			CR 57	
1579	142.294 SH / Opt 6 (INN Refo LR/KR/BR/S, Foam): 80/70 / air / clr (DS/DS) 3/4" IG											
	0.117	0.500	0.117					AIR	0.095(#2)	CL	TS-D	N,G,S
	U-Factor 0.33			SHGC (N / <1) 0.52 / 0.47				VT (N / <1) 0.63 / 0.57			CR 53	
	142.294 SH / Opt 6 (INN Refo LR/KR/BR/S, Foam): clr / air / 80/70 (DS/DS) 3/4" IG											
	0.117	0.500	0.117					AIR	0.095(#3)	CL	TS-D	N,G,S
	U-Factor 0.33			SHGC (N / <1) 0.55 / 0.50				VT (N / <1) 0.63 / 0.57			CR 53	
1580	142.294 SH / Opt 6 (INN Refo LR/KR/BR/S, Foam): 80/70 / arg / clr (DS/DS) 3/4" IG											
	0.117	0.500	0.117					ARG90	0.095(#2)	CL	TS-D	N,G,S
	U-Factor 0.30			SHGC (N / <1) 0.52 / 0.47				VT (N / <1) 0.63 / 0.57			CR 56	
	142.294 SH / Opt 6 (INN Refo LR/KR/BR/S, Foam): clr / arg / 80/70 (DS/DS) 3/4" IG											
	0.117	0.500	0.117					ARG90	0.095(#3)	CL	TS-D	N,G,S
	U-Factor 0.30			SHGC (N / <1) 0.55 / 0.50				VT (N / <1) 0.63 / 0.57			CR 56	

NFRC 100/200/500 Summary Sheet Windgate/Belmont/Stormgate Single Hung

ID	Pane Thickness 1	Gap Width 1	Pane Thickness 2	Gap Width 2	Pane Thickness 3	Gap Width 3	Pane Thickness 4	Gap Fill	Low-e (Surface#)	Tint	Spacer	Grid Type
	U-Factor			Solar Heat Gain Coefficient (SHGC) Grids (None / <1 / >=1)				Visible Transmittance (VT) Grids (None / <1 / >=1)			Condensation Resistance	
1581	142.294 SH / Opt 6 (INN Refo LR/KR/BR/S, Foam): lami / arg / 80/70 (DS 090 DS/DS) 3/4" IG											
	0.264	0.345	0.117					ARG90	0.095(#3)	CL	TS-D	N,S
	U-Factor 0.32			SHGC (N / <1) 0.51 / 0.46				VT (N / <1) 0.62 / 0.56			CR 54	
	142.294 SH / Opt 6 (INN Refo LR/KR/BR/S, Foam): 80/70 / arg / lami (DS/DS 090 DS) 3/4" IG											
	0.117	0.345	0.264					ARG90	0.095(#2)	CL	TS-D	N,S
	U-Factor 0.32			SHGC (N / <1) 0.51 / 0.46				VT (N / <1) 0.62 / 0.56			CR 54	
1582	142.294 SH / Opt 6 (INN Refo LR/KR/BR/S, Foam): lami / arg / 80/70 (DS 090 DS/DS) 3/4" IG											
	0.264	0.345	0.117					ARG90	0.095(#3)	CL	TS-D	G,S
	U-Factor 0.33			SHGC (<1) 0.46				VT (<1) 0.56			CR 54	
	142.294 SH / Opt 6 (INN Refo LR/KR/BR/S, Foam): 80/70 / arg / lami (DS/DS 090 DS) 3/4" IG											
	0.117	0.345	0.264					ARG90	0.095(#2)	CL	TS-D	G,S
	U-Factor 0.33			SHGC (<1) 0.46				VT (<1) 0.56			CR 54	
1583	142.294 SH / Opt 6 (INN Refo LR/KR/BR/S, Foam): 80/70 / arg / clr / arg / 80/70 (SS/SS/SS) 3/4" IG											
	0.090	0.250	0.090	0.250	0.090			ARG90	0.095(#2) / 0.095(#5)	CL	TS-D	N,S
	U-Factor 0.25			SHGC (N / <1) 0.47 / 0.42				VT (N / <1) 0.58 / 0.51			CR 63	
1584	142.294 SH / Opt 6 (INN Refo LR/KR/BR/S, Foam): 80/70 / arg / clr / arg / 80/70 (SS/SS/SS) 3/4" IG											
	0.090	0.250	0.090	0.250	0.090			ARG90	0.095(#2) / 0.095(#5)	CL	TS-D	G,S
	U-Factor 0.26			SHGC (<1) 0.42				VT (<1) 0.51			CR 63	
1585	142.294 SH / Opt 3 (INN Refo LR/KR/BR/S, No Foam): green / arg / E270 (DS/DS) 3/4" IG											
	0.117	0.500	0.118					ARG90	0.037(#3)	GR	P1-S	N,G,S
	U-Factor 0.28			SHGC (N / <1) 0.31 / 0.28				VT (N / <1) 0.50 / 0.45			CR 62	
1586	142.294 SH / Opt 6 (INN Refo LR/KR/BR/S, Foam): green / arg / E270 (DS/DS) 3/4" IG											
	0.117	0.500	0.118					ARG90	0.037(#3)	GR	P1-S	N,G,S
	U-Factor 0.27			SHGC (N / <1) 0.31 / 0.28				VT (N / <1) 0.50 / 0.45			CR 62	

The Condensation Resistance results obtained from this procedure are for controlled laboratory conditions and do not include the effects of air movement through the specimen, solar radiation, and the thermal bridging that may occur due to the specific design and construction of the fenestration system opening.

Ratings values included in this report are for submittals to an NFRC-licensed IA and are not meant to be used directly for labeling purposes. Only those values identified on a valid Certification Authorization Report (CAR) by an NFRC accredited Inspection Agency (IA) are to be used for labeling purposes. The ratings values were rounded in accordance to NFRC 601, NFRC Unit and Measurement Policy.

Intertek-ATI is an NFRC accredited simulation laboratory and all simulations were conducted in full compliance with NFRC approved procedures and specifications. The values included in this report are not considered in compliance with ANSI/NFRC 100, ANSI/NFRC 200, and/or NFRC 500 unless the associated validation test requirements have been satisfied, as applicable.

This report is reissued in the name of American Window Alliance, Inc. through written authorization of Deceuninck North America, LLC, to whom the original report was rendered. The original Deceuninck North America, LLC report number is G6286.01-116-45.

Intertek-ATI will service this report for the entire test record retention period. Test records that are retained such as detailed drawings, datasheets, representative samples of test specimens, or other pertinent project documentation will be retained by Intertek-ATI for the entire test record retention period. The test record retention end date for this report is May 11, 2022.

Results obtained are simulated values and were secured by using the designated test methods. This report does not constitute certification of this product nor an opinion or endorsement by this laboratory. It is the exclusive property of the client so named herein and relates only to the product simulated. This report may not be reproduced, except in full, without the written approval of Intertek-ATI

For INTERTEK-ATI:

SIMULATED BY:

REVIEWED BY:

Eric S. Leitner
Simulation Technician Team Leader
NFRC Certified Simulator

Michael J. Thoman
Director - Simulations and Thermal Testing
Simulator-In-Responsible-Charge

ESL:esl

G6286.11-116-45

Attachments (pages): This report is complete only when all attachments listed are included.
Appendix A: Drawings and Bills of Material (50)

Revision Log

<u>Rev. #</u>	<u>Date</u>	<u>Page(s)</u>	<u>Revision(s)</u>
.01R0	05/11/17	All	- Original report issued to Deceuninck North America, LLC
.02R0	05/11/17	All	- Reissue report in the name of American Window Alliance, Inc.
.02R1	05/16/17	All	- Revise Option #1244 to ungroup DP20 sill
.11R0	10/12/17	All	- Add Options #1585-1586

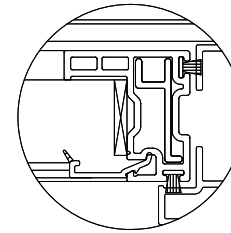
All drawings and Bills of Material used to simulate this product are enclosed in this Appendix
Some drawings may be omitted at the extruder's request.

Appendix A

G6286.11-116-45

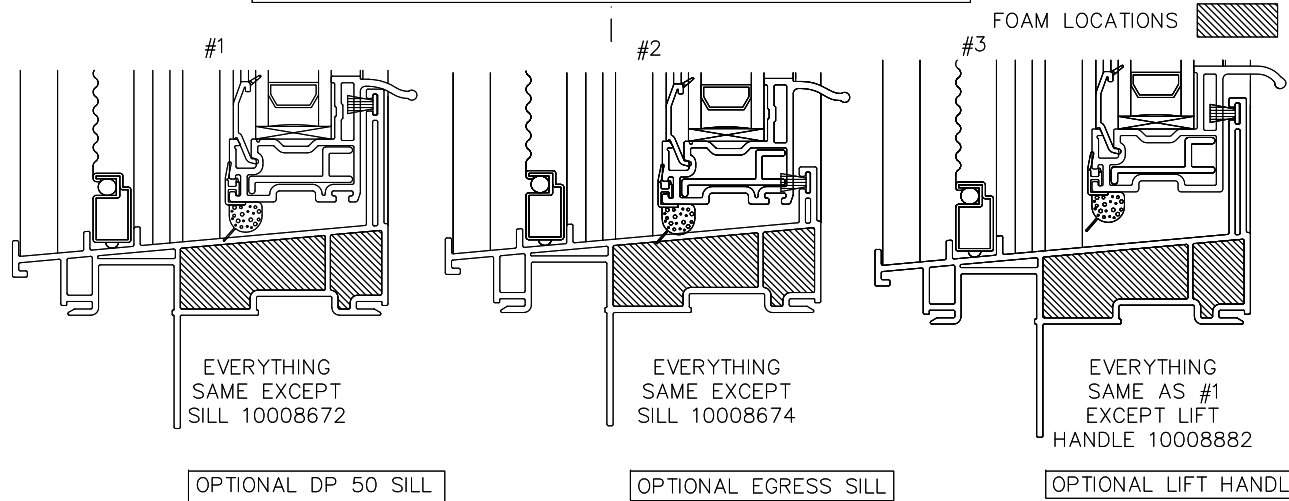
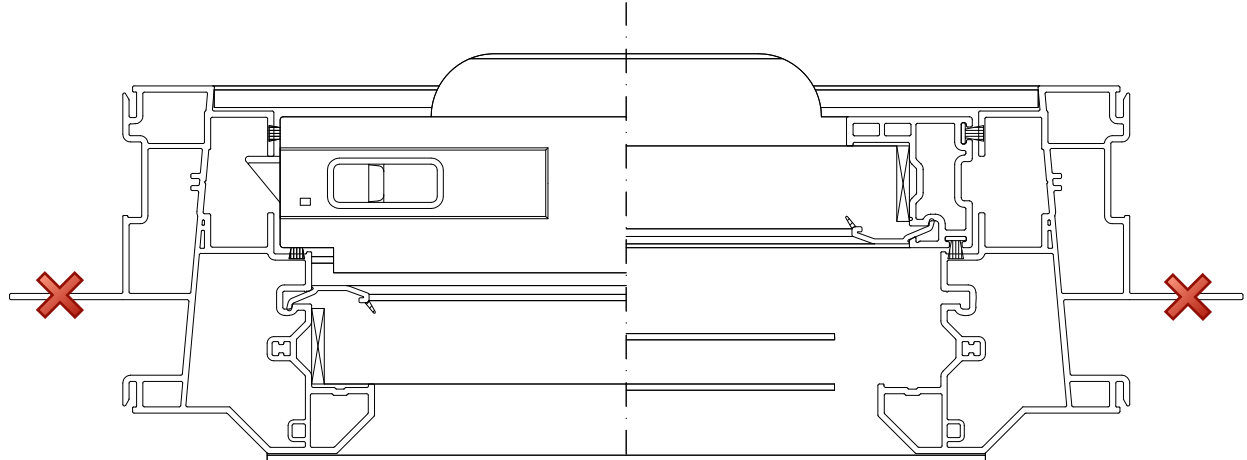
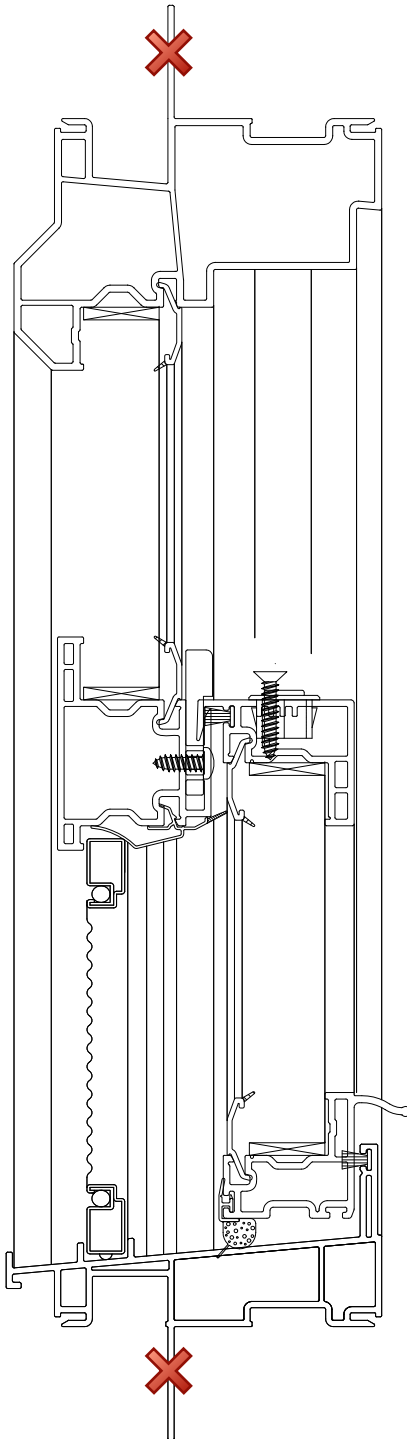
Report #: G6286-116-45
 Date: 5/11/2017
 Verified by: *[Signature]*

OPT 1



ALL SAME EXCEPT GLAZING BEAD

OPTIONAL GLAZING BEAD 10008127



CONFIDENTIAL
 UNPUBLISHED WORK © 2017
 DECEUNINCK NORTH AMERICA
 THIS DOCUMENT CONTAINS PROPRIETARY AND CONFIDENTIAL INFORMATION. DO NOT COPY OR DISCLOSE THIS INFORMATION WITHOUT THE EXPRESS WRITTEN CONSENT OF DECEUNINCK NORTH AMERICA. DECEUNINCK NORTH AMERICA RESERVES THE RIGHT TO CHANGE THIS DRAWING AND ANY ASSOCIATED DOCUMENTS.

THIRD ANGLE PROJECTION

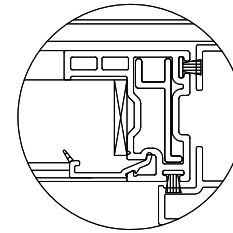
DESIGN BY: BWS
 DATE: 12/03/02
 DRAWN BY: AJH
 DATE: 17/04/24
 AUTH: DATE:
 AUTH: DATE:
 AUTH: DATE:
 FILENAME: 190506

deceuninck NORTH AMERICA
 351 NORTH GARVER ROAD
 KENNEWICK, OHIO 45500
 NAME: 142.094 SH - 006
 SIZE/DWG. NO.: 142094SH-006
 SCALE: 1 : 1 (LBS/FT.)
 REV: A

ALL SAME EXCEPT GLAZING BEAD

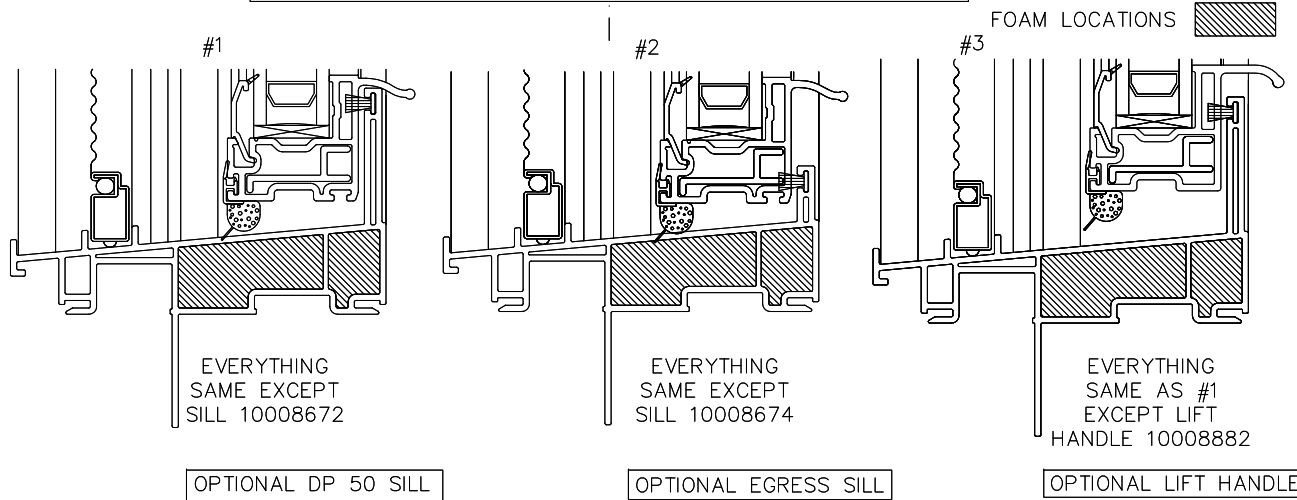
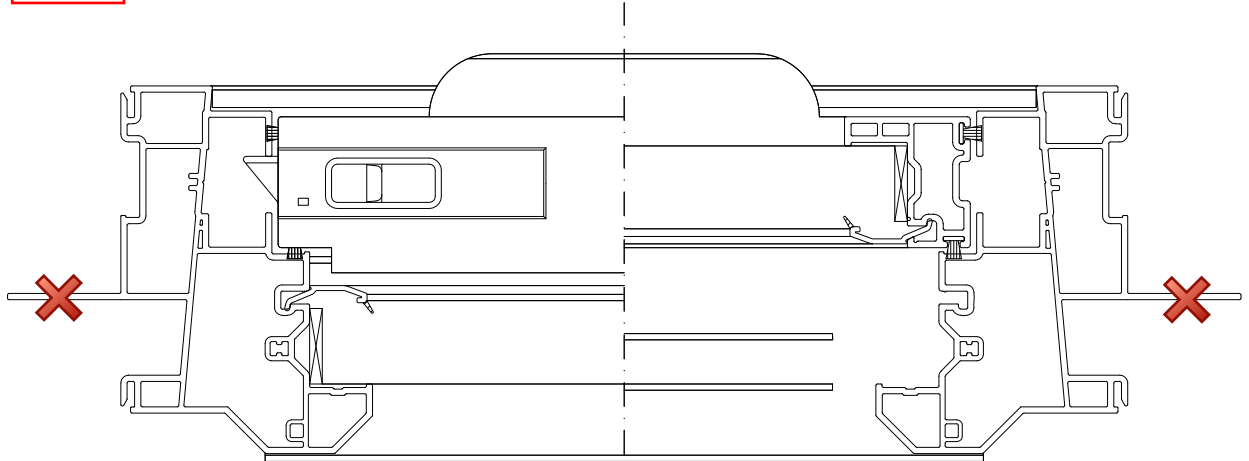
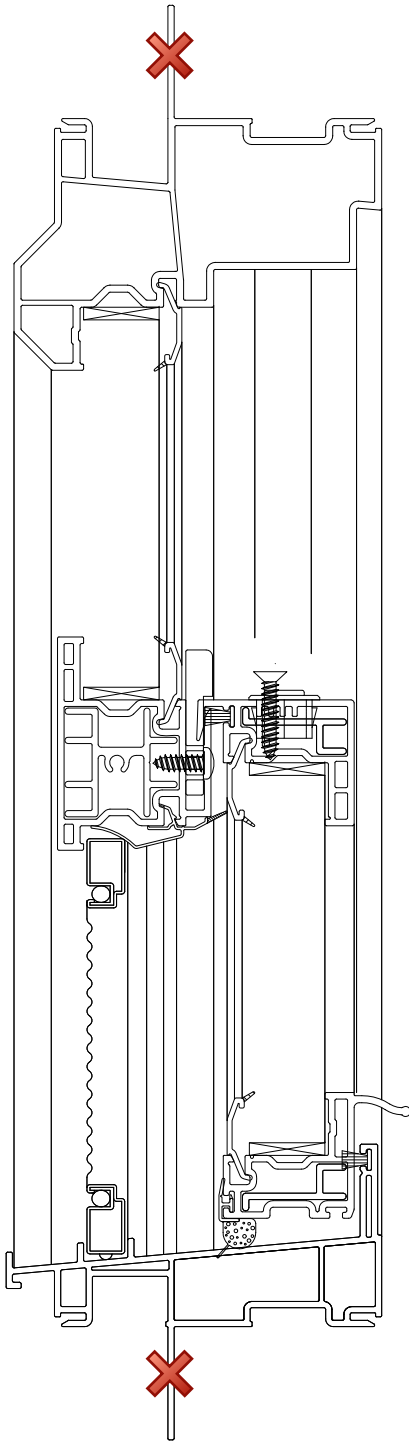


 Report #: G6286-116-45
 Date: 5/11/2017
 Verified by: 




OPTIONAL GLAZING BEAD 10008127


OPT 2



CONFIDENTIAL
 UNPUBLISHED WORK © 2017
 DECEUNINCK NORTH AMERICA
 THIS DOCUMENT CONTAINS PROPRIETARY AND CONFIDENTIAL INFORMATION. DO NOT COPY OR DISCLOSE THIS INFORMATION WITHOUT THE EXPRESS WRITTEN CONSENT OF DECEUNINCK NORTH AMERICA. DECEUNINCK NORTH AMERICA RESERVES THE RIGHT TO CHANGE THIS DRAWING AND ANY ASSOCIATED DOCUMENTS.

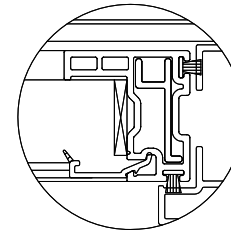
THIRD ANGLE PROJECTION


DESIGN BY: BWS
 DATE: 12/03/02
 DRAWN BY: AJH
 DATE: 17/04/24
 AUTH: DATE:
 AUTH: DATE:
 AUTH: DATE:
 FILENAME: 190506


 351 NORTH GARVER ROAD
 KENNEWICK, OHIO 45500
 NORTH AMERICA
 NAME: 142.094 SH - 006
 SIZE/DWG. NO.: 142094SH-006
 SCALE: 1 : 1 (LBS/FT.)
 REV: A

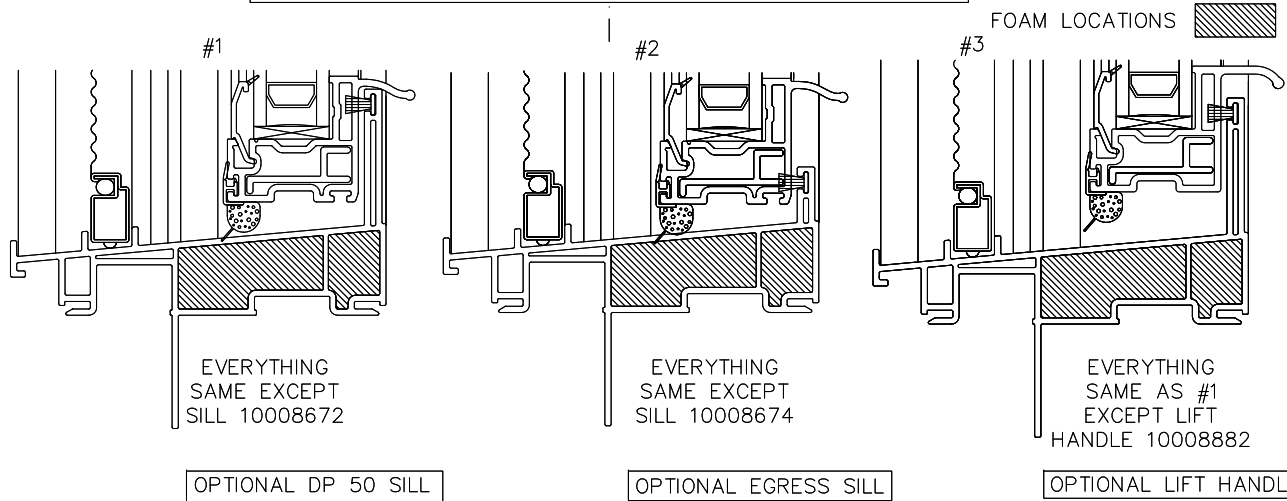
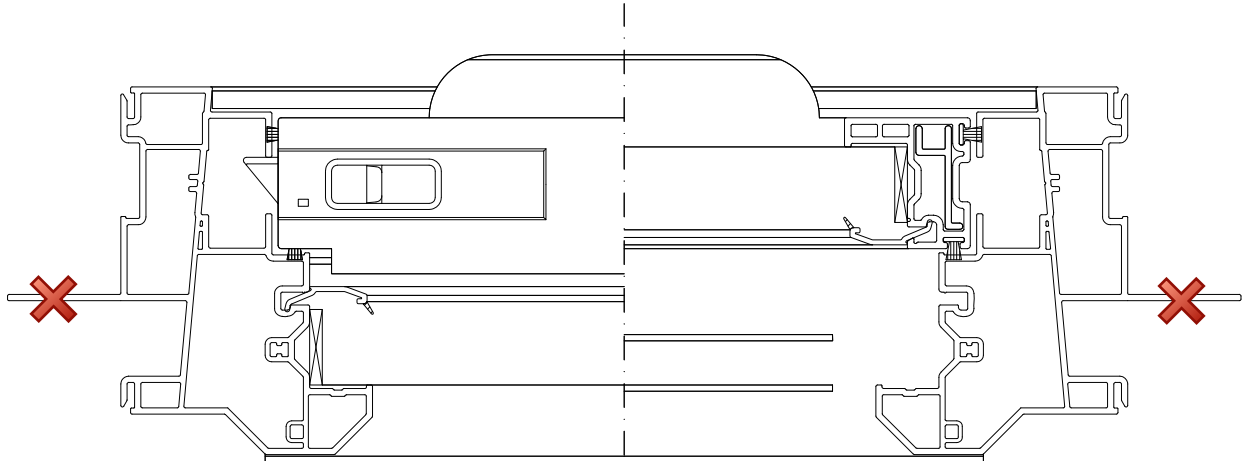
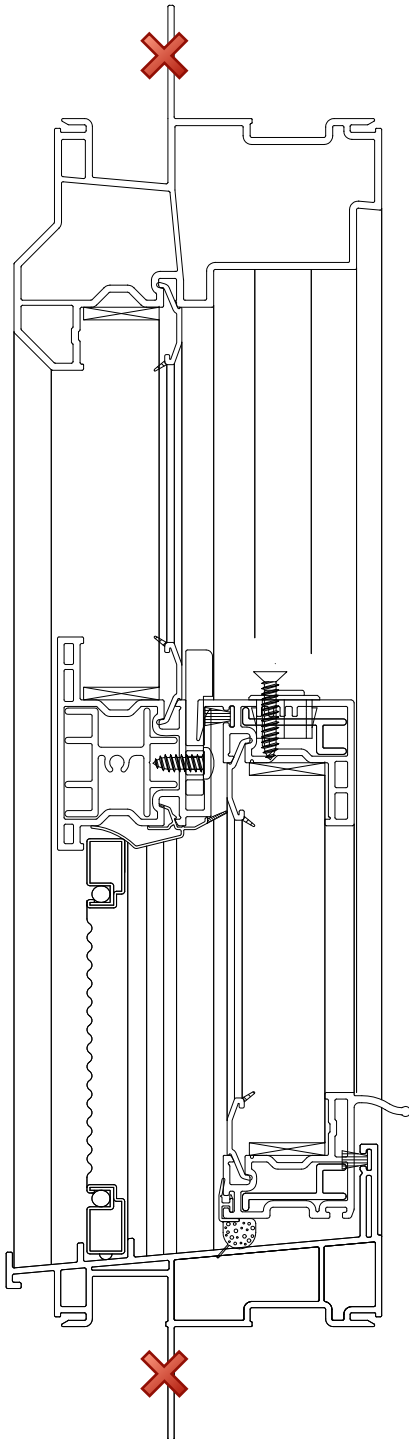
	Report #:	G6286-116-45
	Date:	5/11/2017
	Verified by:	<i>[Signature]</i>

OPT 3



ALL SAME EXCEPT GLAZING BEAD

OPTIONAL GLAZING BEAD 10008127



CONFIDENTIAL

UNPUBLISHED WORK © 2017 DECEUNINCK NORTH AMERICA

THIS DOCUMENT CONTAINS PROPRIETARY AND CONFIDENTIAL INFORMATION. DO NOT COPY OR DISCLOSE THIS INFORMATION WITHOUT THE EXPRESS WRITTEN CONSENT OF DECEUNINCK NORTH AMERICA. DECEUNINCK NORTH AMERICA RESERVES THE RIGHT TO CHANGE THIS DRAWING AND ANY ASSOCIATED DOCUMENTS.

THIRD ANGLE PROJECTION

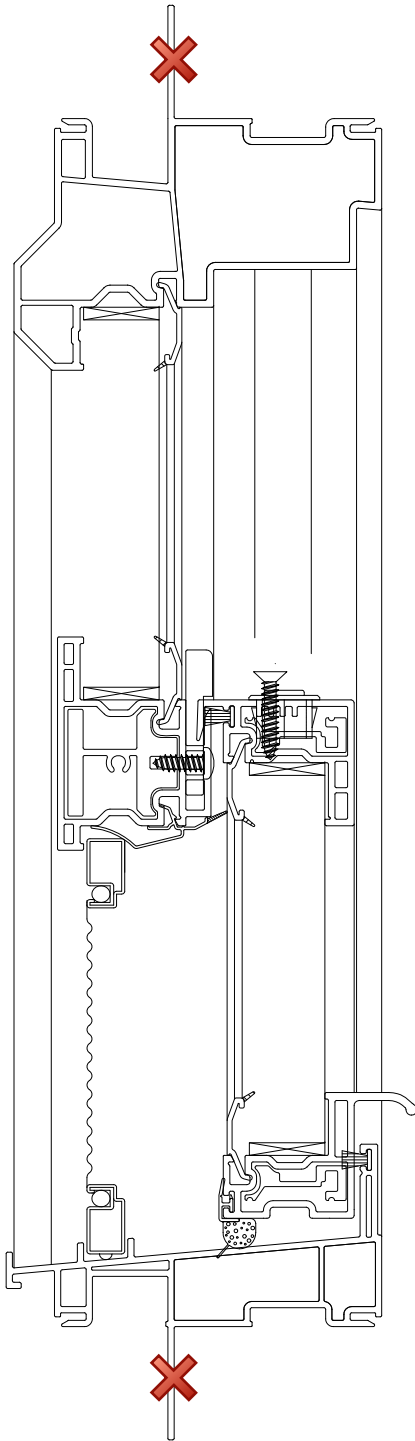


DESIGN BY: BWS
 DATE: 12/03/02
 DRAWN BY: AJH
 DATE: 17/04/24
 AUTH: DATE:
 AUTH: DATE:
 AUTH: DATE:
 FILENAME: 190506

deceuninck NORTH AMERICA

NAME: 142.094 SH - 006

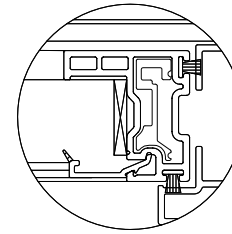
SIZE/DWG. NO: 142094SH-006
 SCALE: 1 : 1 (LBS/FT.) SHEET: A



Report #: G6286-116-45
 Date: 5/11/2017
 Verified by: *[Signature]*

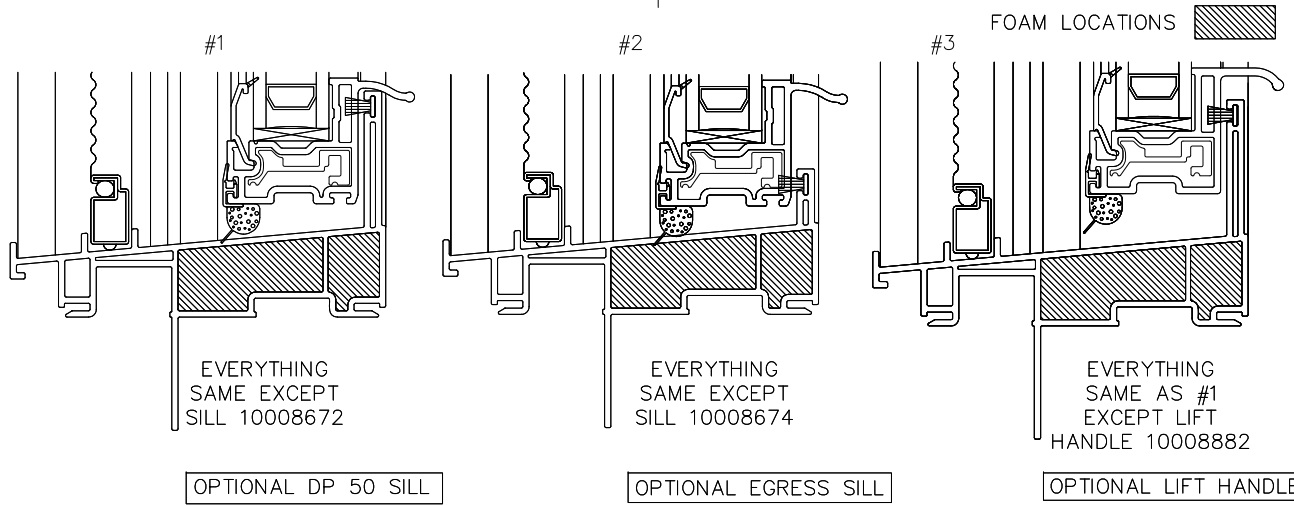
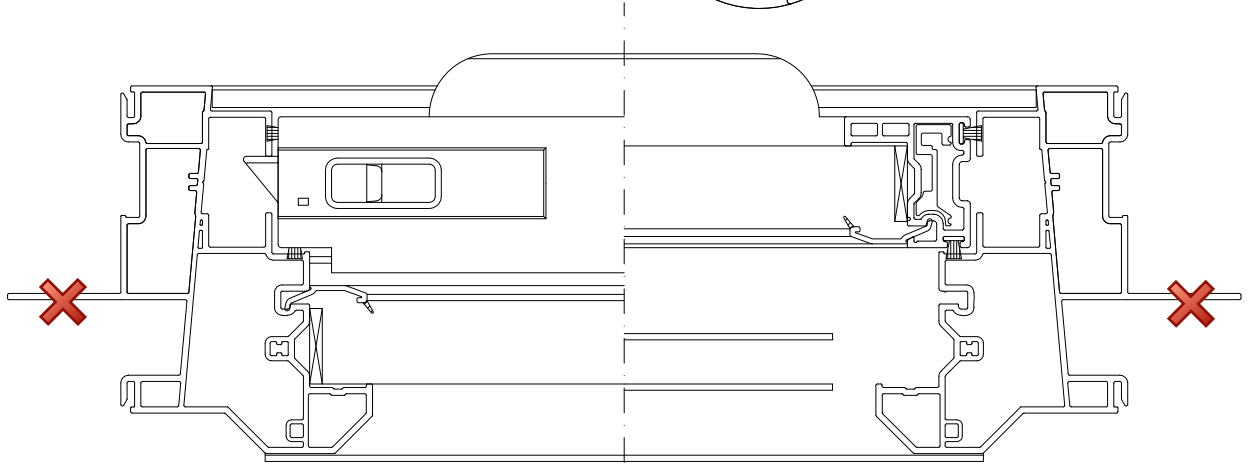


OPT 4



ALL SAME EXCEPT GLAZING BEAD

OPTIONAL GLAZING BEAD 10008127



CONFIDENTIAL

UNPUBLISHED WORK © 2017
 DECEUNINCK NORTH AMERICA

THIS DOCUMENT CONTAINS PROPRIETARY AND CONFIDENTIAL INFORMATION. DO NOT COPY OR DISCLOSE THIS INFORMATION WITHOUT THE EXPRESS WRITTEN CONSENT OF DECEUNINCK NORTH AMERICA. DECEUNINCK NORTH AMERICA RESERVES THE RIGHT TO CHANGE THIS DRAWING AND ANY ASSOCIATED DOCUMENTS.

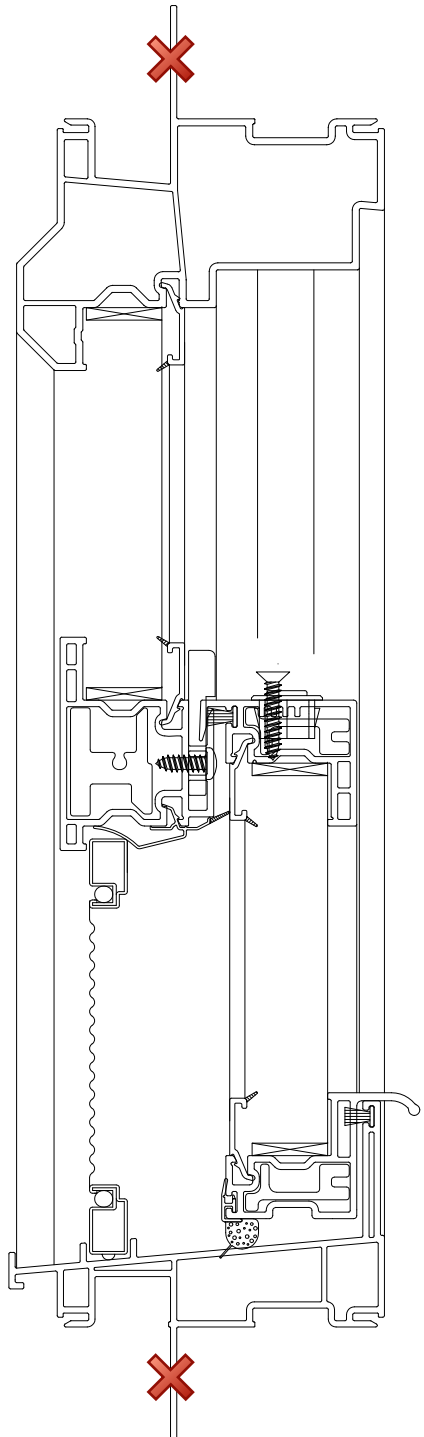
DESIGN BY: CRB
 DATE: 14/08/19
 DRAWN BY: AJH
 DATE: 17/04/24
 AUTH: DATE:
 AUTH: DATE:
 AUTH: DATE:
 FILENAME: 190512

THIRD ANGLE PROJECTION

deceuninck NORTH AMERICA

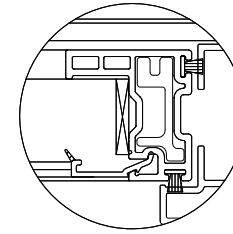
NAME: 142.094 SH - 011
 SIZE DWG. NO: 142094SH-011
 SCALE: 1 : 1 (LBS/FT.)
 SHEET: A

REVISION HISTORY			
REV	DESCRIPTION	DATE	APPROVED
-	DESCRIPTION	DATE	APPROVED



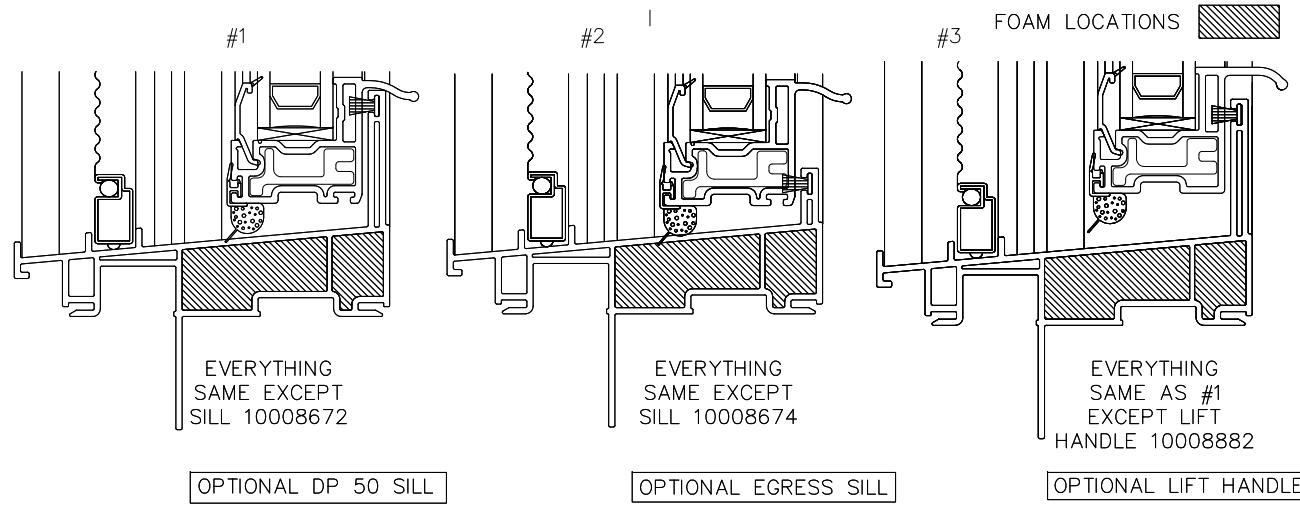
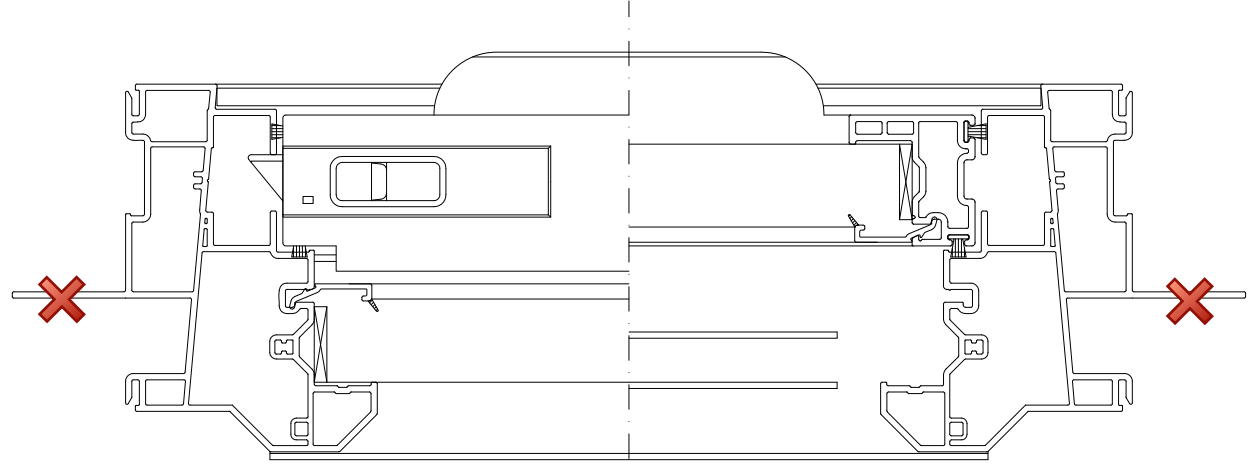
Report #: G6286-116-45
 Date: 5/11/2017
 Verified by: *[Signature]*

OPT 5



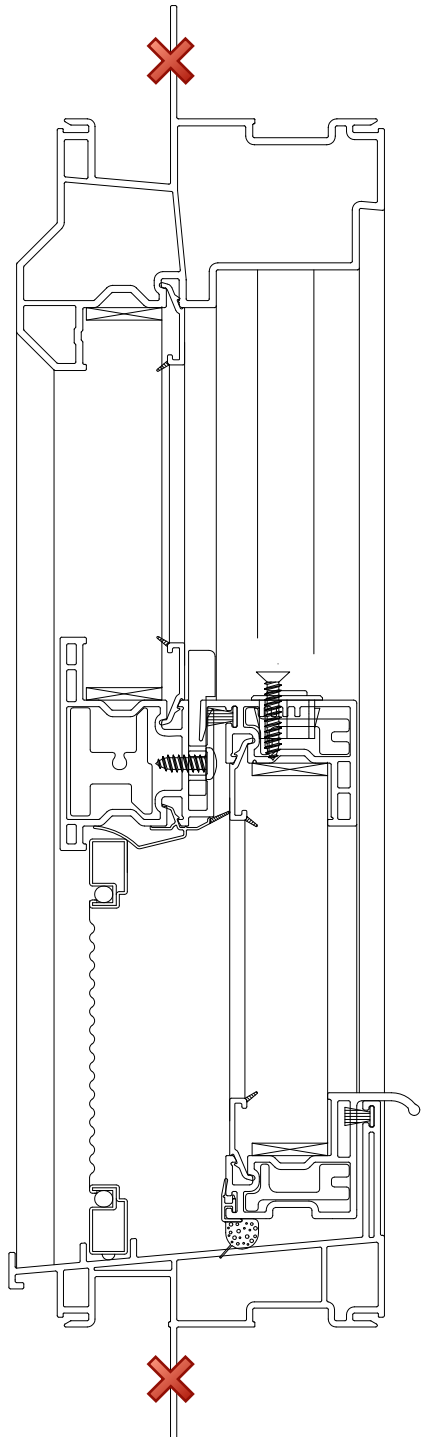
ALL SAME EXCEPT GLAZING BEAD

OPTIONAL GLAZING BEAD 10008127



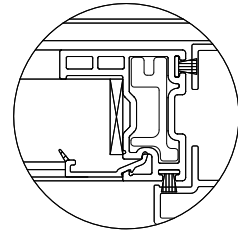
<p>CONFIDENTIAL</p> <p>UNPUBLISHED WORK © 2015 DECEUNINCK NORTH AMERICA</p> <p>THIS DOCUMENT CONTAINS PROPRIETARY AND CONFIDENTIAL INFORMATION. DO NOT COPY OR DISCLOSE THIS INFORMATION WITHOUT THE EXPRESS WRITTEN CONSENT OF DECEUNINCK NORTH AMERICA. DECEUNINCK NORTH AMERICA RESERVES THE RIGHT TO CHANGE THIS DRAWING AND ANY ASSOCIATED DOCUMENTS.</p>	<p>THIRD ANGLE PROJECTION</p>	DESIGN BY: BWB DATE: 15/09/04 DRAWN BY: BWB DATE: 15/09/04 AUTH: DATE: AUTH: DATE: AUTH: DATE: FILENAME: 169761	<p>deceuninck NORTH AMERICA</p> <p>NAME: 142.094 SH - 013</p> <p>SIZE DWG. NO: 142094SH-013 SCALE: 1 : 1 (LBS/FT.) NA SHEET: 1 OF 1</p>
		<p>REV: NEW</p>	

REVISION HISTORY			
REV	DESCRIPTION	DATE	APPROVED
-	DESCRIPTION	DATE	APPROVED



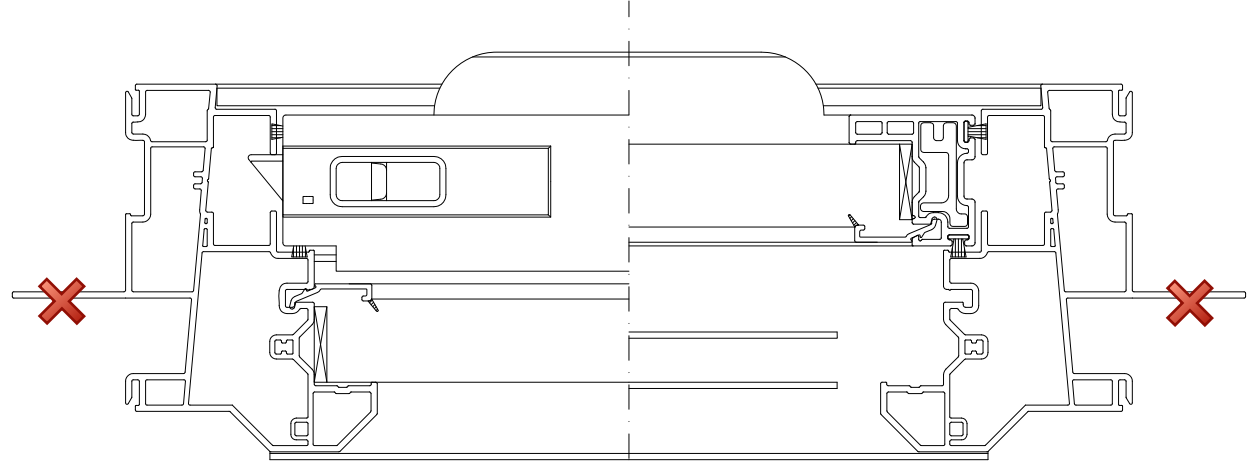
Report #: G6286-116-45
 Date: 5/11/2017
 Verified by: *[Signature]*

OPT 6



ALL SAME EXCEPT GLAZING BEAD

OPTIONAL GLAZING BEAD 10008127



#1 #2 #3 FOAM LOCATIONS

EVERYTHING SAME EXCEPT SILL 10008672
 OPTIONAL DP 50 SILL

EVERYTHING SAME EXCEPT SILL 10008674
 OPTIONAL EGRESS SILL

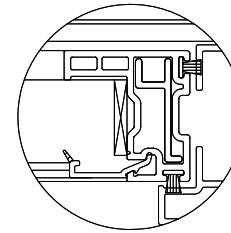
EVERYTHING SAME AS #1 EXCEPT LIFT HANDLE 10008882
 OPTIONAL LIFT HANDLE

<p>CONFIDENTIAL</p> <p>UNPUBLISHED WORK © 2015 DECEUNINCK NORTH AMERICA</p> <p>THIS DOCUMENT CONTAINS PROPRIETARY AND CONFIDENTIAL INFORMATION. DO NOT COPY OR DISCLOSE THIS INFORMATION WITHOUT THE EXPRESS WRITTEN CONSENT OF DECEUNINCK NORTH AMERICA. DECEUNINCK NORTH AMERICA RESERVES THE RIGHT TO CHANGE THIS DRAWING AND ANY ASSOCIATED DOCUMENTS.</p>	<p>THIRD ANGLE PROJECTION</p>	DESIGN BY: BWB DATE: 15/09/04 DRAWN BY: BWB DATE: 15/09/04 AUTH: DATE: AUTH: DATE: AUTH: DATE: FILENAME: 169761	<p>deceuninck NORTH AMERICA</p> <p>NAME: 142.094 SH - 013</p> <p>SIZE DWG. NO: 142094SH-013 SCALE: 1 : 1 (LBS/FT.) NA SHEET: 1 OF 1</p>
		<p>REV: NEW</p>	

CAD MAINTAINED. CHANGES SHALL BE INCORPORATED BY THE DESIGN ACTIVITY.

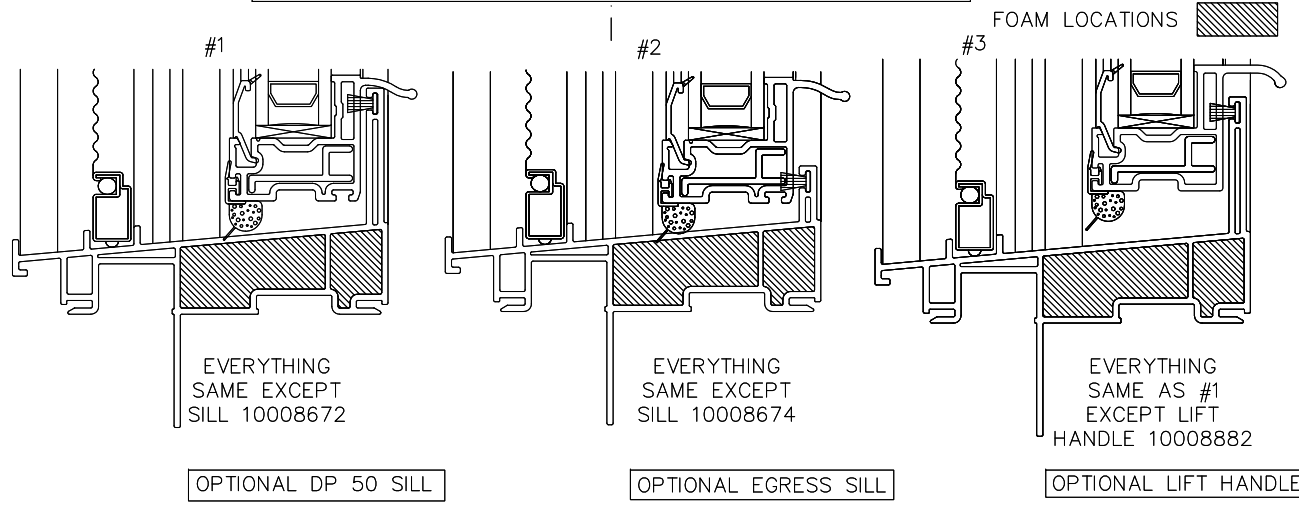
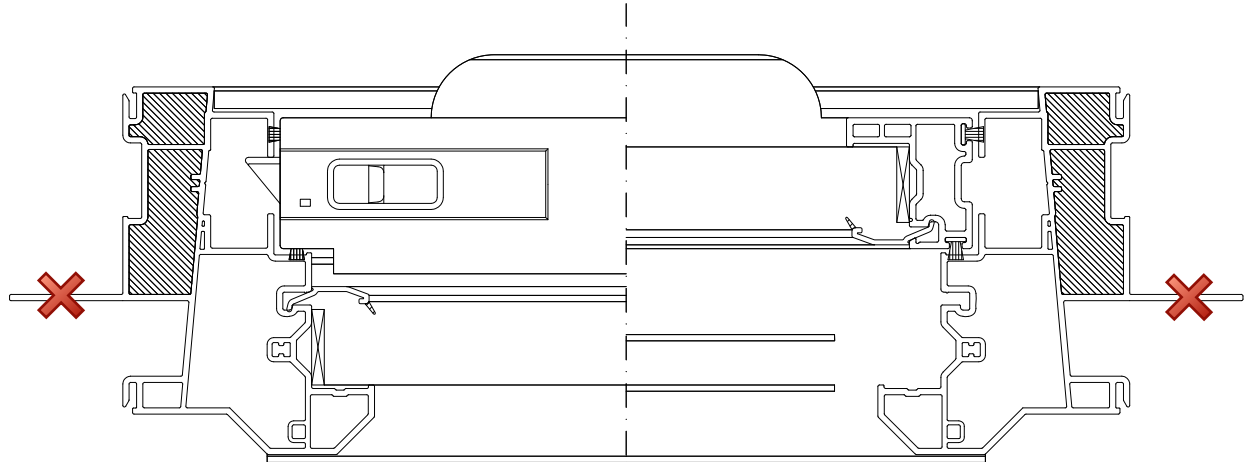
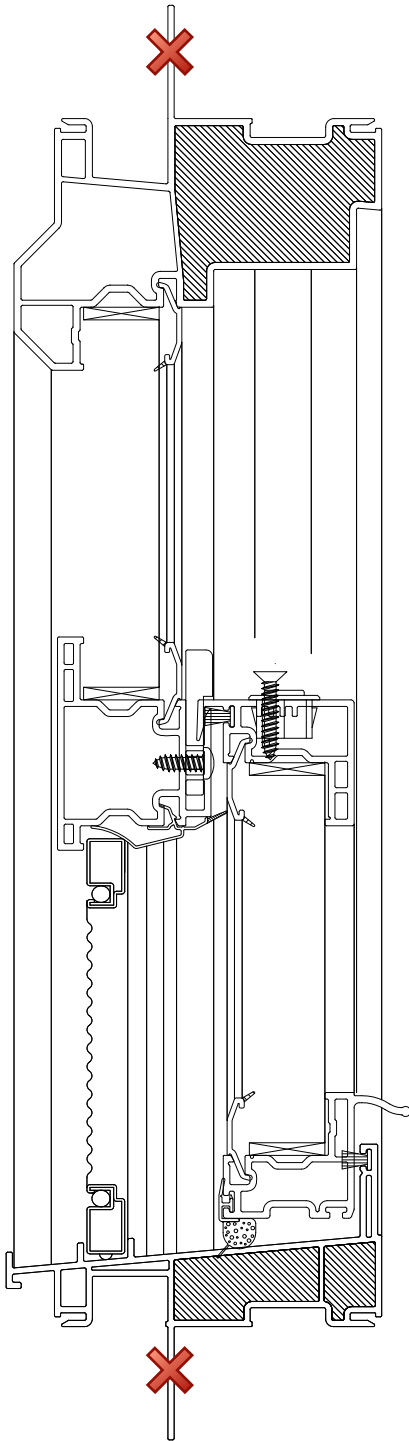

 Report #: G6286-116-45
 Date: 5/11/2017
 Verified by: [Signature]

OPT 7





ALL SAME EXCEPT GLAZING BEAD

OPTIONAL GLAZING BEAD 10008127



CONFIDENTIAL
 UNPUBLISHED WORK © 2017
 DECEUNINCK NORTH AMERICA
 THIS DOCUMENT CONTAINS PROPRIETARY AND CONFIDENTIAL INFORMATION. DO NOT COPY OR DISCLOSE THIS INFORMATION WITHOUT THE EXPRESS WRITTEN CONSENT OF DECEUNINCK NORTH AMERICA. DECEUNINCK NORTH AMERICA RESERVES THE RIGHT TO CHANGE THIS DRAWING AND ANY ASSOCIATED DOCUMENTS.

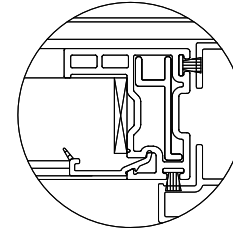
DESIGN BY: BWS
 DATE: 12/03/02
 DRAWN BY: AJH
 DATE: 17/04/24
 AUTH: DATE:
 AUTH: DATE:
 AUTH: DATE:
 FILENAME: 190506
 THIRD ANGLE PROJECTION 


 351 NORTH GARVER ROAD
 KENNEWICK, OHIO 45500
 NORTH AMERICA
 NAME: 142.094 SH - 006
 SIZE/DWG. NO.: 142094SH-006
 SCALE: 1 : 1 (LBS/FT.)
 REV: A

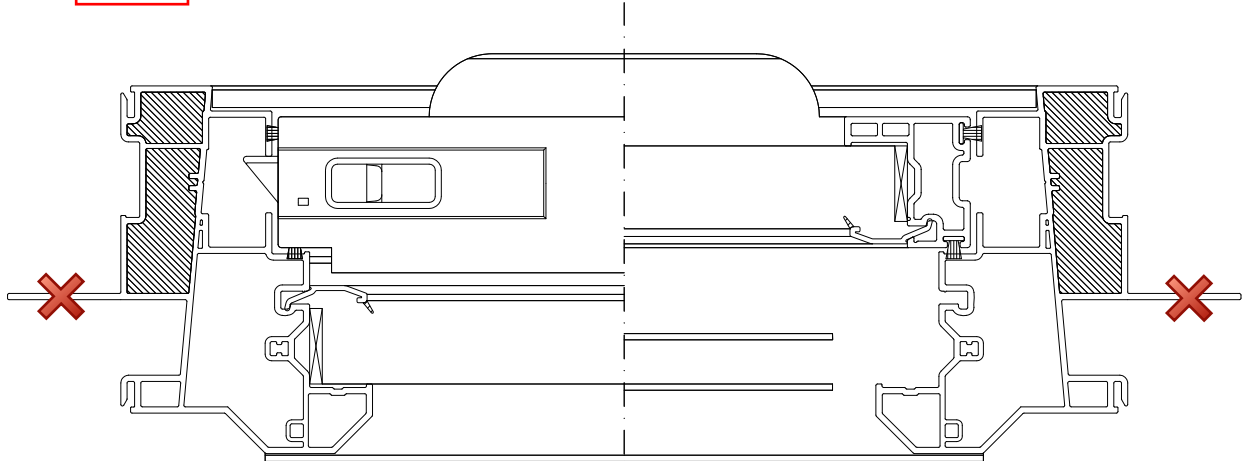
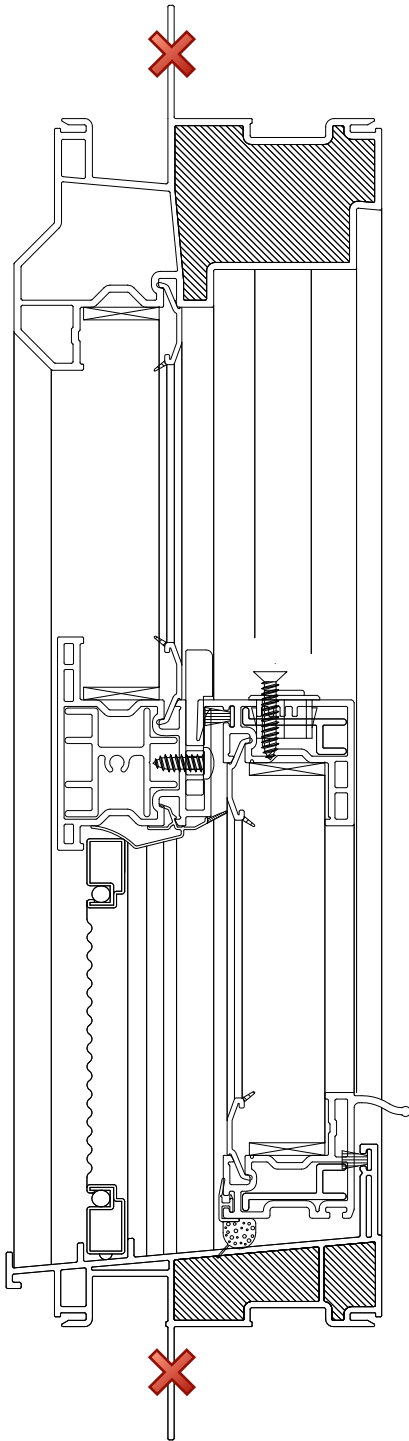
ALL SAME EXCEPT GLAZING BEAD

Report #: G6286-116-45
 Date: 5/11/2017
 Verified by: *[Signature]*

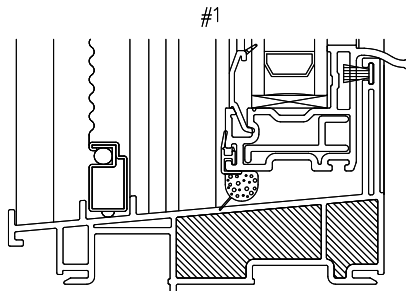
OPT 8



OPTIONAL GLAZING BEAD 10008127

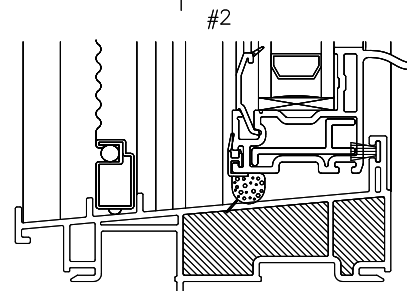


FOAM LOCATIONS



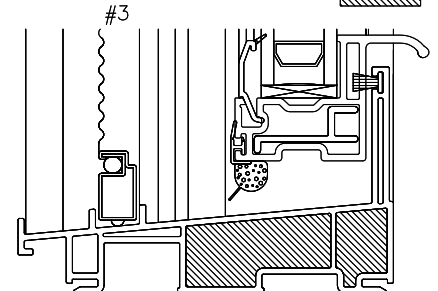
EVERYTHING SAME EXCEPT SILL 10008672

OPTIONAL DP 50 SILL



EVERYTHING SAME EXCEPT SILL 10008674

OPTIONAL EGRESS SILL



EVERYTHING SAME AS #1 EXCEPT LIFT HANDLE 1000882

OPTIONAL LIFT HANDLE

CONFIDENTIAL

UNPUBLISHED WORK © 2017 DECEUNINCK NORTH AMERICA

THIS DOCUMENT CONTAINS PROPRIETARY AND CONFIDENTIAL INFORMATION. DO NOT COPY OR DISCLOSE THIS INFORMATION WITHOUT THE EXPRESS WRITTEN CONSENT OF DECEUNINCK NORTH AMERICA. DECEUNINCK NORTH AMERICA RESERVES THE RIGHT TO CHANGE THIS DRAWING AND ANY ASSOCIATED DOCUMENTS.

THIRD ANGLE PROJECTION



DESIGN BY: BWS
 DATE: 12/03/02
 DRAWN BY: AJH
 DATE: 17/04/24
 AUTH: DATE:
 AUTH: DATE:
 AUTH: DATE:
 FILENAME: 190506

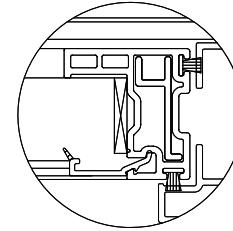
deceuninck NORTH AMERICA

NAME: 142.094 SH - 006

SIZE/DWG. NO: 142094SH-006
 SCALE: 1 : 1 (LBS/FT.) SHEET: A

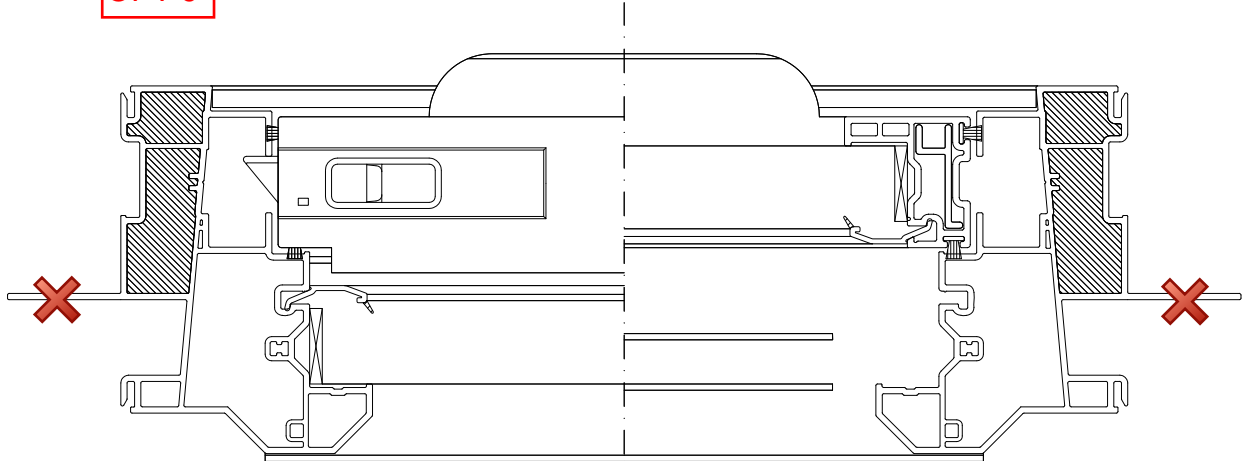
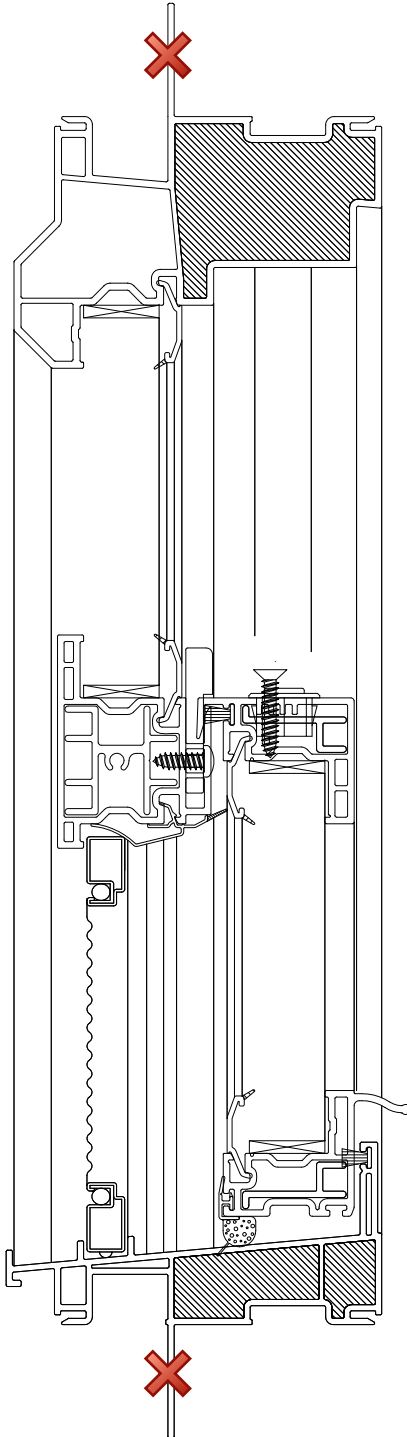
ALL SAME EXCEPT GLAZING BEAD

Report #: G6286-116-45
 Date: 5/11/2017
 Verified by: *[Signature]*

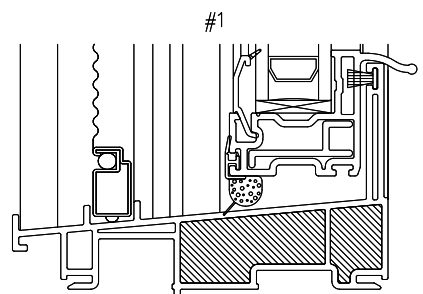


OPTIONAL GLAZING BEAD 10008127

OPT 9

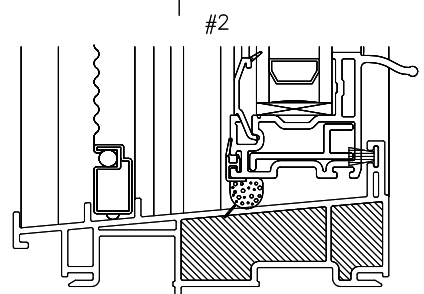


FOAM LOCATIONS



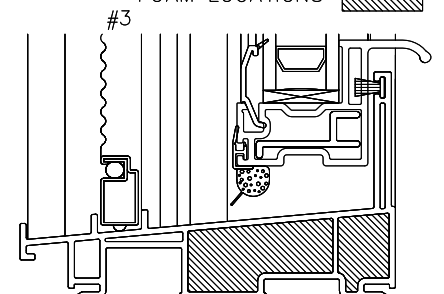
#1
 EVERYTHING SAME EXCEPT SILL 10008672

OPTIONAL DP 50 SILL



#2
 EVERYTHING SAME EXCEPT SILL 10008674

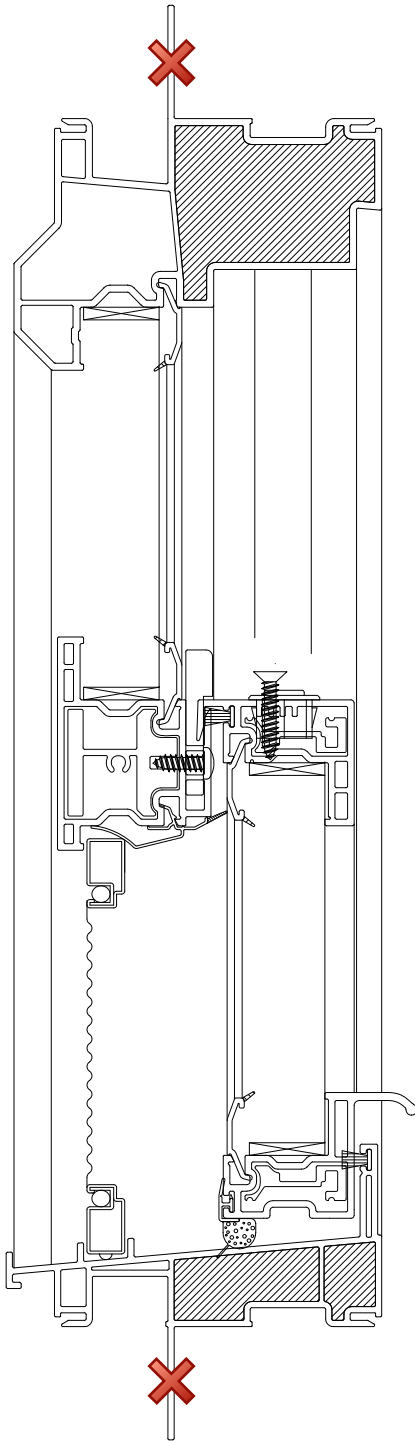
OPTIONAL EGRESS SILL



#3
 EVERYTHING SAME AS #1 EXCEPT LIFT HANDLE 1000882

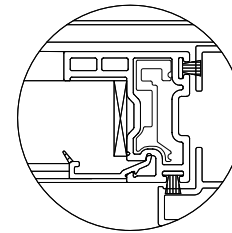
OPTIONAL LIFT HANDLE

<p>CONFIDENTIAL</p> <p>UNPUBLISHED WORK © 2017 DECEUNINCK NORTH AMERICA</p> <p>THIS DOCUMENT CONTAINS PROPRIETARY AND CONFIDENTIAL INFORMATION. DO NOT COPY OR DISCLOSE THIS INFORMATION WITHOUT THE EXPRESS WRITTEN CONSENT OF DECEUNINCK NORTH AMERICA. DECEUNINCK NORTH AMERICA RESERVES THE RIGHT TO CHANGE THIS DRAWING AND ANY ASSOCIATED DOCUMENTS.</p>	<p>THIRD ANGLE PROJECTION</p>	DESIGN BY: BWS DATE: 12/03/02 DRAWN BY: AJH DATE: 17/04/24 AUTH: DATE: AUTH: DATE: AUTH: DATE: FILENAME: 190506	<p>deceuninck </p> <p>NORTH AMERICA</p> <p>351 NORTH GARVER ROAD KENNESAW, OHIO 44240</p>
		NAME: 142.094 SH - 006 SIZE/DWG. NO: 142094SH-006 SCALE: 1 : 1 (LBS/FT.)	REV: A



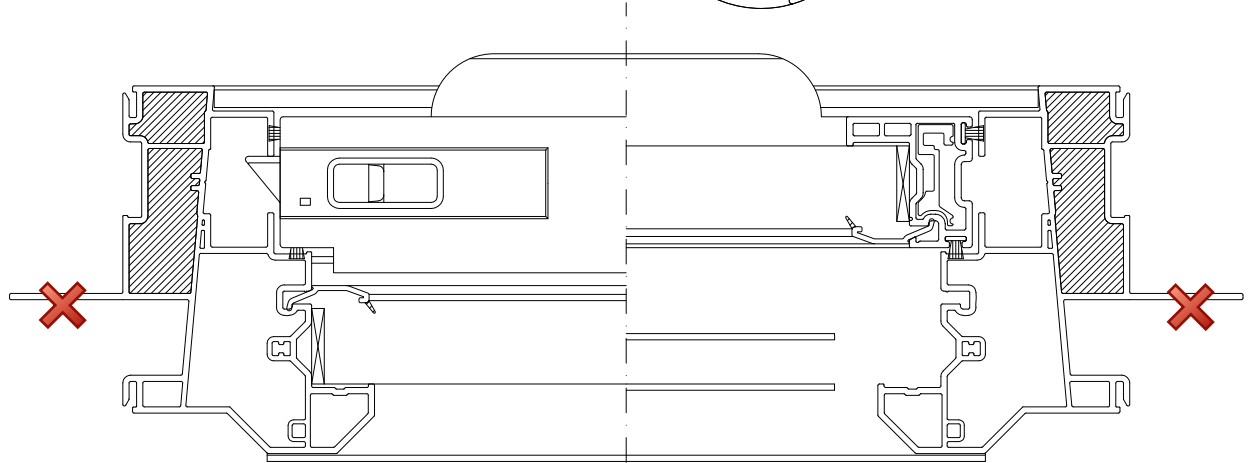
Report #: G6286-116-45
 Date: 5/11/2017
 Verified by: *[Signature]*

OPT 10



ALL SAME EXCEPT GLAZING BEAD

OPTIONAL GLAZING BEAD 10008127



#1 #2 #3

FOAM LOCATIONS

#1: EVERYTHING SAME EXCEPT SILL 10008672
 OPTIONAL DP 50 SILL

#2: EVERYTHING SAME EXCEPT SILL 10008674
 OPTIONAL EGRESS SILL

#3: EVERYTHING SAME AS #1 EXCEPT LIFT HANDLE 10008882
 OPTIONAL LIFT HANDLE

CONFIDENTIAL
 UNPUBLISHED WORK © 2017
 DECEUNINCK NORTH AMERICA
 THIS DOCUMENT CONTAINS PROPRIETARY AND CONFIDENTIAL INFORMATION. DO NOT COPY OR DISCLOSE THIS INFORMATION WITHOUT THE EXPRESS WRITTEN CONSENT OF DECEUNINCK NORTH AMERICA. DECEUNINCK NORTH AMERICA RESERVES THE RIGHT TO CHANGE THIS DRAWING AND ANY ASSOCIATED DOCUMENTS.

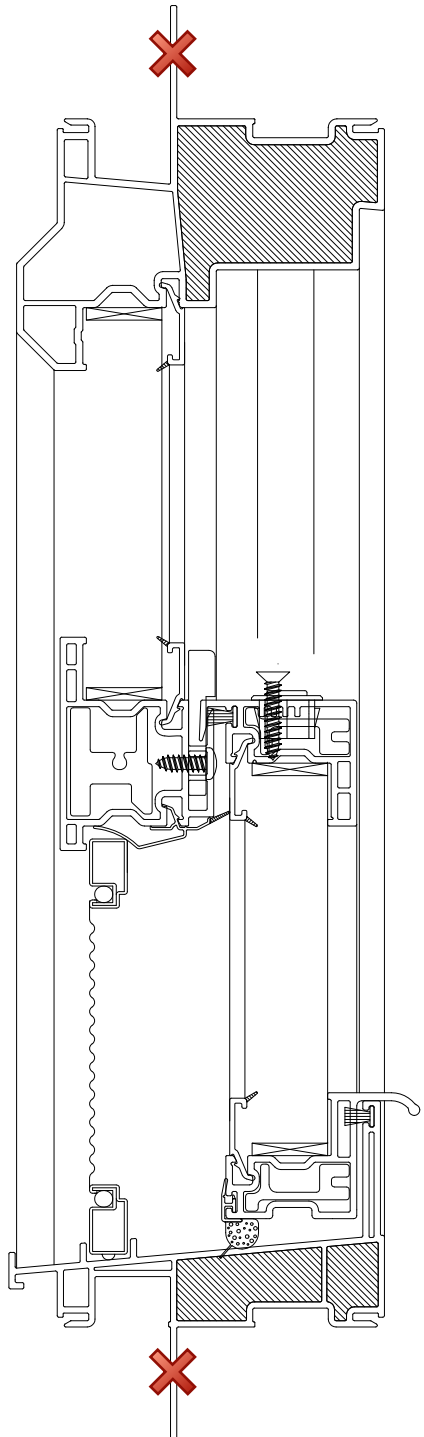
THIRD ANGLE PROJECTION

DESIGN BY: CRB
 DATE: 14/08/19
 DRAWN BY: AJH
 DATE: 17/04/24
 AUTH: DATE:
 AUTH: DATE:
 AUTH: DATE:
 FILENAME: 190512

deceuninck NORTH AMERICA
 851 NORTH GARVER ROAD
 KENNEDY, OHIO 45000

NAME: 142.094 SH - 011
 SIZE DWG. NO: 142094SH-011
 SCALE: 1 : 1 (LBS/FT.)
 SHEET: A

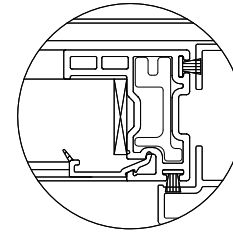
REVISION HISTORY			
REV	DESCRIPTION	DATE	APPROVED
-	DESCRIPTION	DATE	APPROVED



Report #: G6286-116-45
 Date: 5/11/2017
 Verified by: *[Signature]*

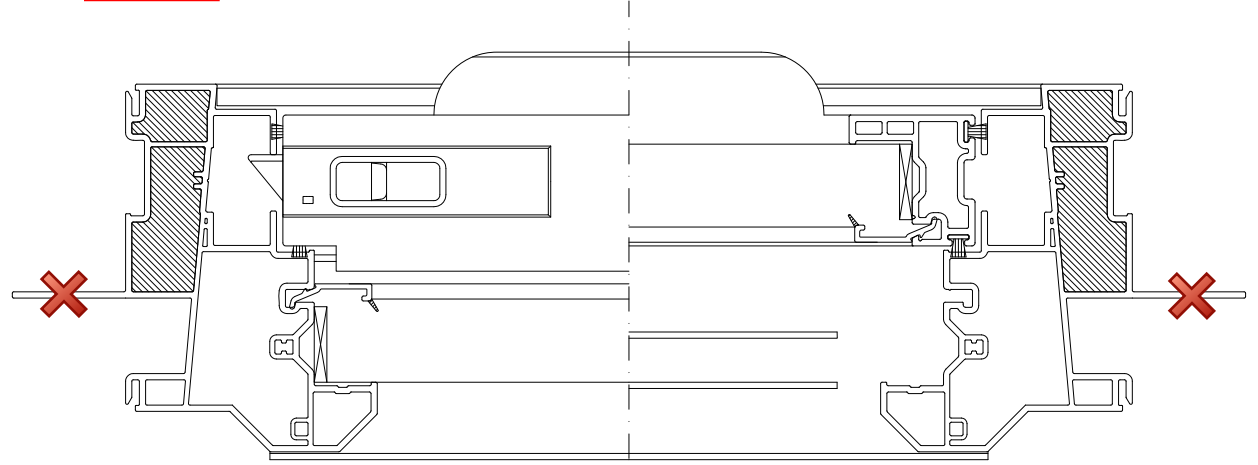
Intertek IBS MT

OPT 11



ALL SAME EXCEPT GLAZING BEAD

OPTIONAL GLAZING BEAD 10008127



#1 #2 #3 FOAM LOCATIONS

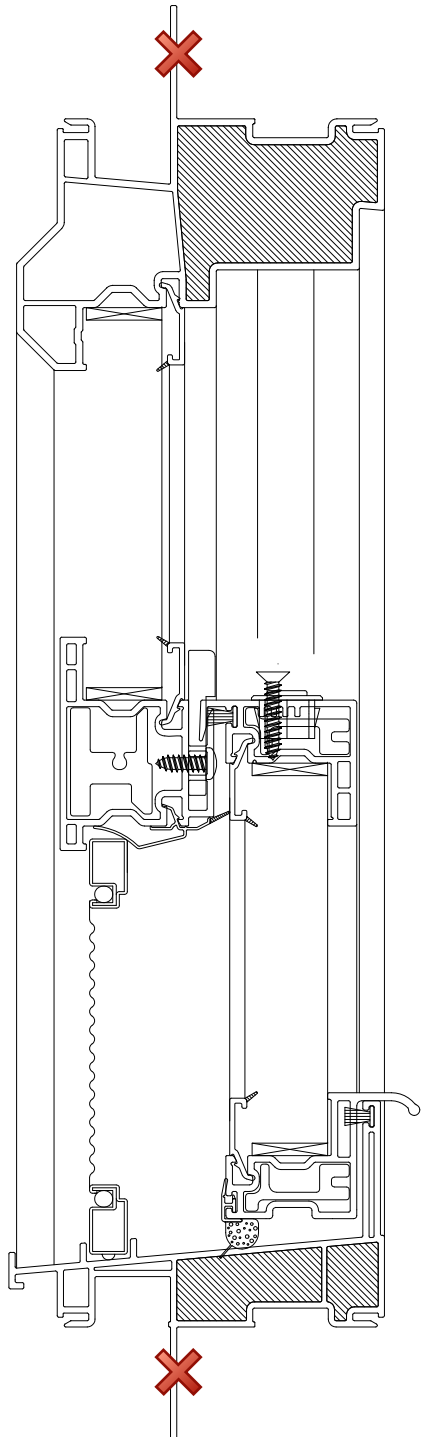
EVERYTHING SAME EXCEPT SILL 10008672
 OPTIONAL DP 50 SILL

EVERYTHING SAME EXCEPT SILL 10008674
 OPTIONAL EGRESS SILL

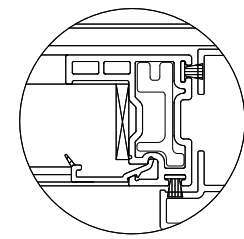
EVERYTHING SAME AS #1 EXCEPT LIFT HANDLE 10008882
 OPTIONAL LIFT HANDLE

<p>CONFIDENTIAL</p> <p>UNPUBLISHED WORK © 2015 DECEUNINCK NORTH AMERICA</p> <p>THIS DOCUMENT CONTAINS PROPRIETARY AND CONFIDENTIAL INFORMATION. DO NOT COPY OR DISCLOSE THIS INFORMATION WITHOUT THE EXPRESS WRITTEN CONSENT OF DECEUNINCK NORTH AMERICA. DECEUNINCK NORTH AMERICA RESERVES THE RIGHT TO CHANGE THIS DRAWING AND ANY ASSOCIATED DOCUMENTS.</p>	<p>THIRD ANGLE PROJECTION</p>	DESIGN BY: BWB DATE: 15/09/04 DRAWN BY: BWB DATE: 15/09/04 AUTH: DATE: AUTH: DATE: AUTH: DATE: FILENAME: 169761	<p>deceuninck <small>NA</small></p> <p>NORTH AMERICA</p> <p>NAME: 142.094 SH - 013</p> <p>SIZE DWG. NO: 142094SH-013 SCALE: 1 : 1 (LBS/FT.) NA SHEET: 1 OF 1</p>
		<p>REV: NEW</p>	

REVISION HISTORY			
REV	DESCRIPTION	DATE	APPROVED
-	DESCRIPTION	DATE	APPROVED



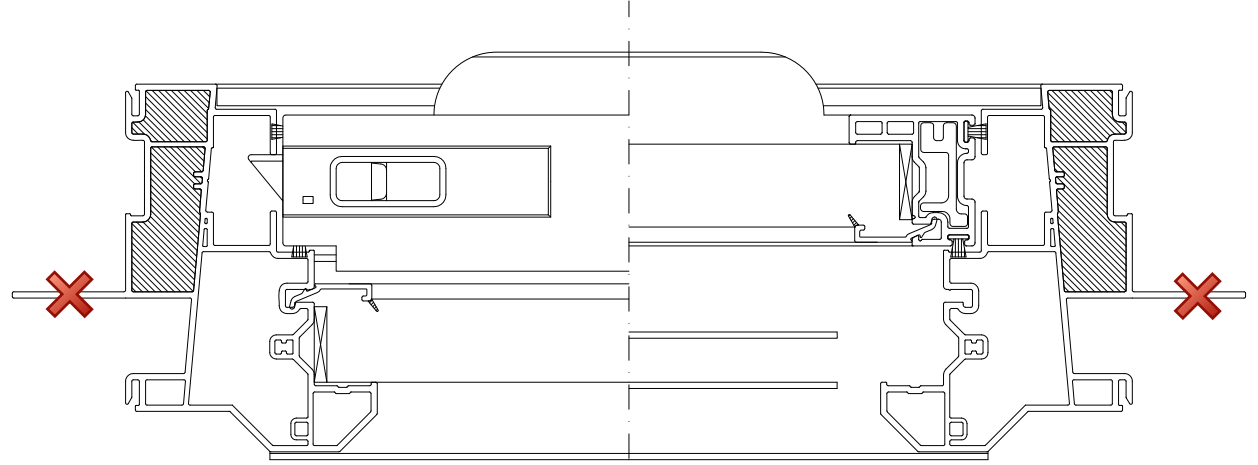

 Report #: G6286-116-45
 Date: 5/11/2017
 Verified by: *[Signature]*




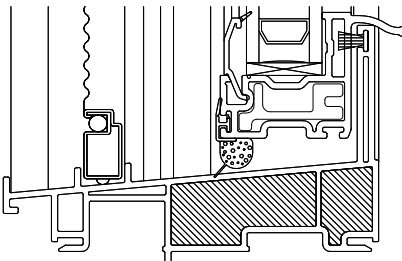
ALL SAME EXCEPT GLAZING BEAD

OPTIONAL GLAZING BEAD 10008127

OPT 12

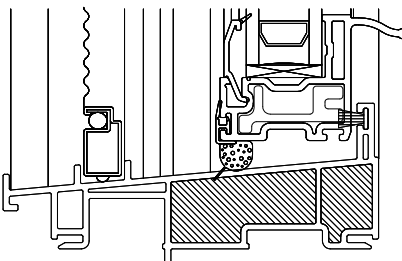


#1 #2 #3 FOAM LOCATIONS 



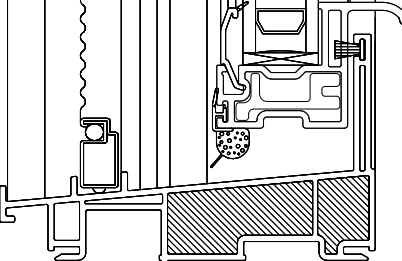
EVERYTHING SAME EXCEPT SILL 10008672

OPTIONAL DP 50 SILL





EVERYTHING SAME EXCEPT SILL 10008674

OPTIONAL EGRESS SILL



EVERYTHING SAME AS #1 EXCEPT LIFT HANDLE 10008882

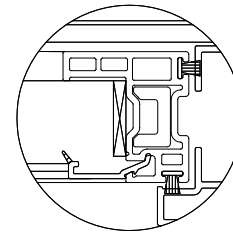
OPTIONAL LIFT HANDLE

CONFIDENTIAL UNPUBLISHED WORK © 2015 DECEUNINCK NORTH AMERICA <small>THIS DOCUMENT CONTAINS PROPRIETARY AND CONFIDENTIAL INFORMATION. DO NOT COPY OR DISCLOSE THIS INFORMATION WITHOUT THE EXPRESS WRITTEN CONSENT OF DECEUNINCK NORTH AMERICA. DECEUNINCK NORTH AMERICA RESERVES THE RIGHT TO CHANGE THIS DRAWING AND ANY ASSOCIATED DOCUMENTS.</small>	THIRD ANGLE PROJECTION	DESIGN BY: BWB DATE: 15/09/04 DRAWN BY: BWB DATE: 15/09/04 AUTH: DATE: AUTH: DATE: AUTH: DATE: FILENAME: 169761	 NORTH AMERICA NAME: 142.094 SH - 013 SIZE DWG. NO: 142094SH-013 SCALE: 1 : 1 (LBS/FT.) NA SHEET: 1 OF 1
		REV: NEW SHEET: 1 OF 1	

REVISION HISTORY			
REV	DESCRIPTION	DATE	APPROVED
-	DESCRIPTION	DATE	APPROVED

Report #: G6286-116-45
 Date: 5/11/2017
 Verified by: *[Signature]*

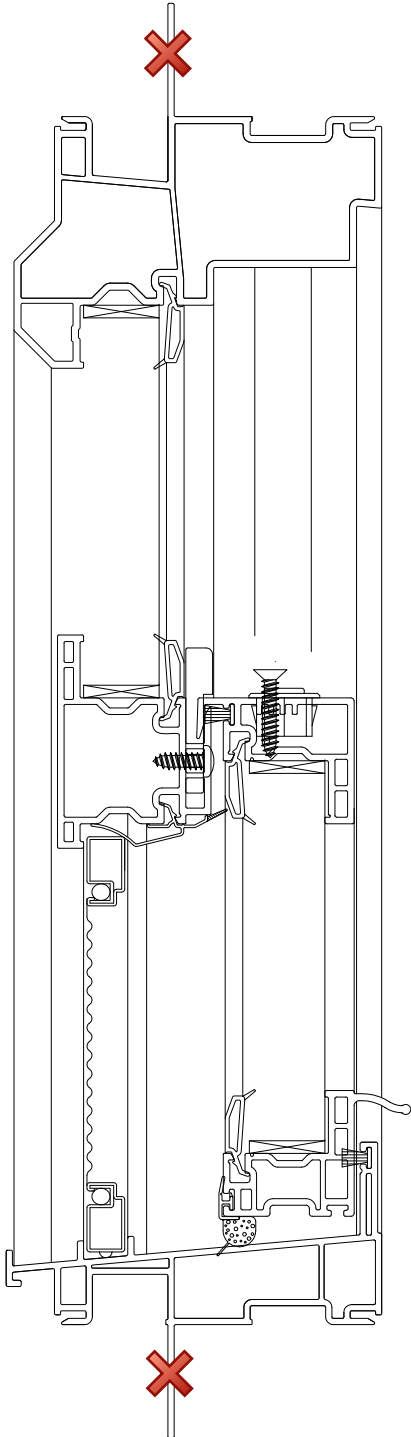
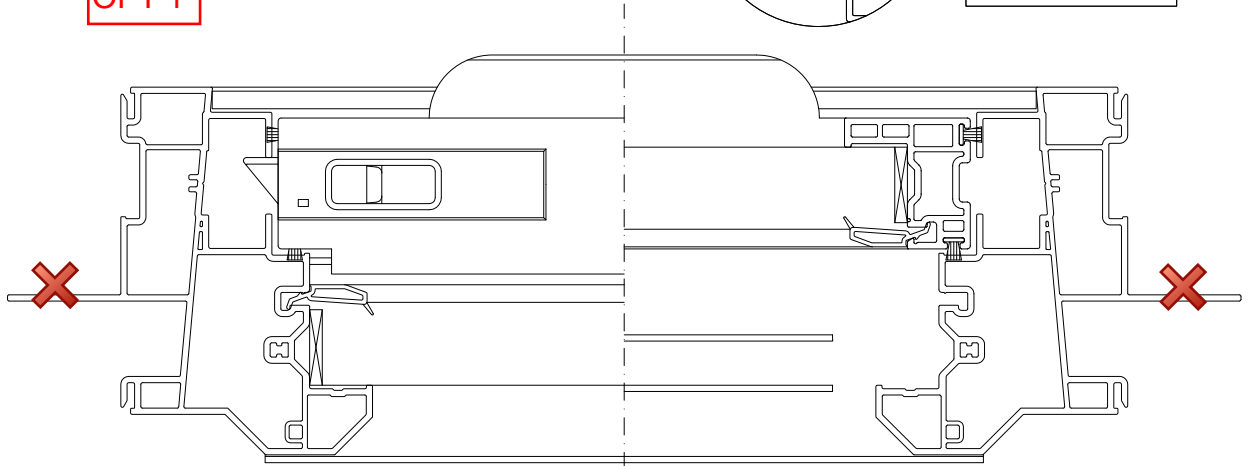
Intertek IBS MT



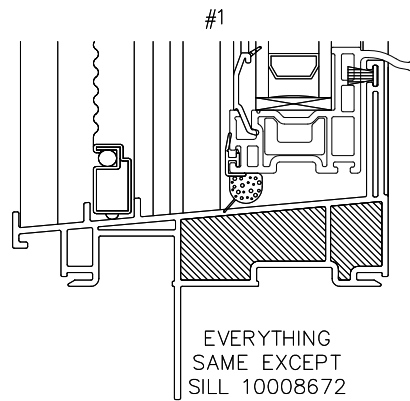
ALL SAME EXCEPT GLAZING BEAD

OPTIONAL GLAZING BEAD 10008127

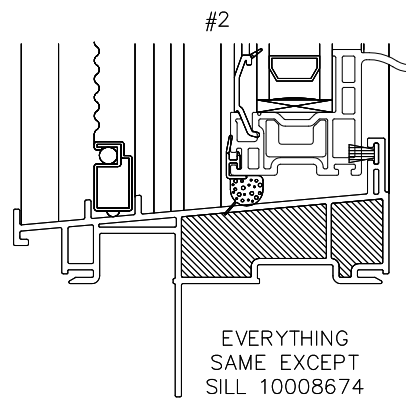
OPT 1



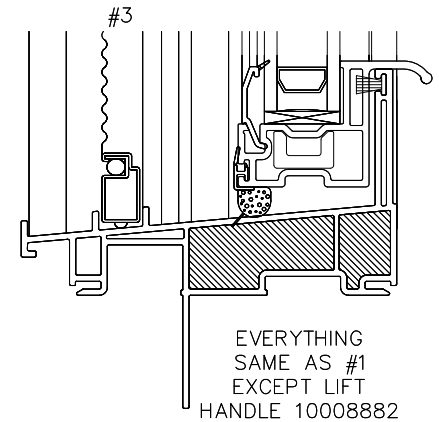
FOAM LOCATIONS



OPTIONAL DP 50 SILL



OPTIONAL EGRESS SILL



OPTIONAL LIFT HANDLE

142.294 SH-006 : FOAM IN FRAME AND FULLY REINFORCED - INNERC

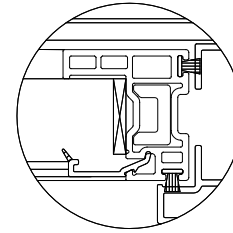
CONFIDENTIAL UNPUBLISHED WORK © 2017 DECEUNINCK NORTH AMERICA <small>THIS DOCUMENT CONTAINS PROPRIETARY AND CONFIDENTIAL INFORMATION. DO NOT COPY OR DISCLOSE THIS INFORMATION WITHOUT THE EXPRESS WRITTEN CONSENT OF DECEUNINCK NORTH AMERICA. DECEUNINCK NORTH AMERICA RESERVES THE RIGHT TO CHANGE THIS DRAWING AND ANY ASSOCIATED DOCUMENTS.</small>	THIRD ANGLE PROJECTION 	DESIGN BY: SMW	Deceuninck North America 351 N. Carver Road Monroe, OH 45050
		DATE: 15/9/24	
		DRAWN BY: AJH	NAME: 142294 SH-006
		DATE: 17/04/25	
		AUTH: DATE:	SIZE DWG. NO: 142294SH-006
		AUTH: DATE:	
		AUTH: DATE:	SCALE: 1 : 1 (LBS/FT.)
		AUTH: DATE:	
		FILENAME: 190539	REV: A
			SHEET: 1 OF 1

REVISION HISTORY			
REV	DESCRIPTION	DATE	APPROVED
-	DESCRIPTION	DATE	APPROVED

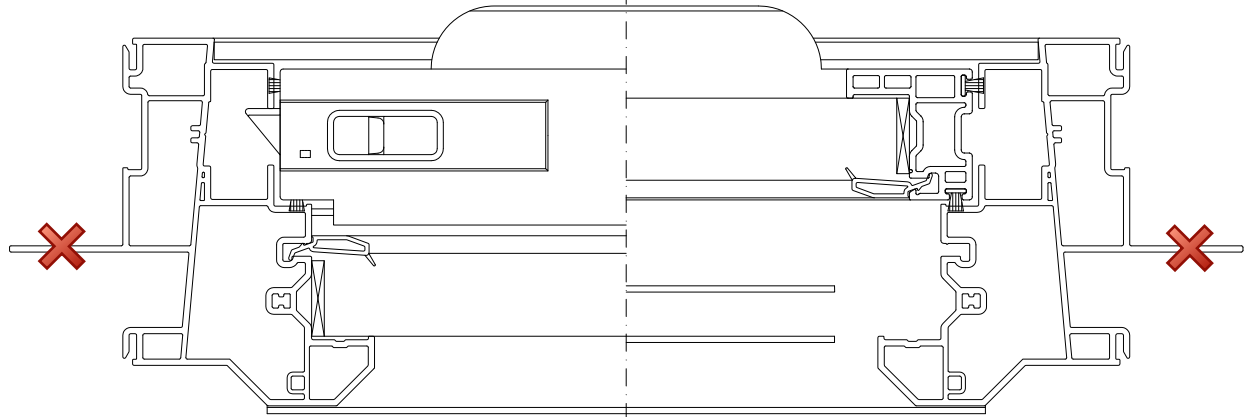
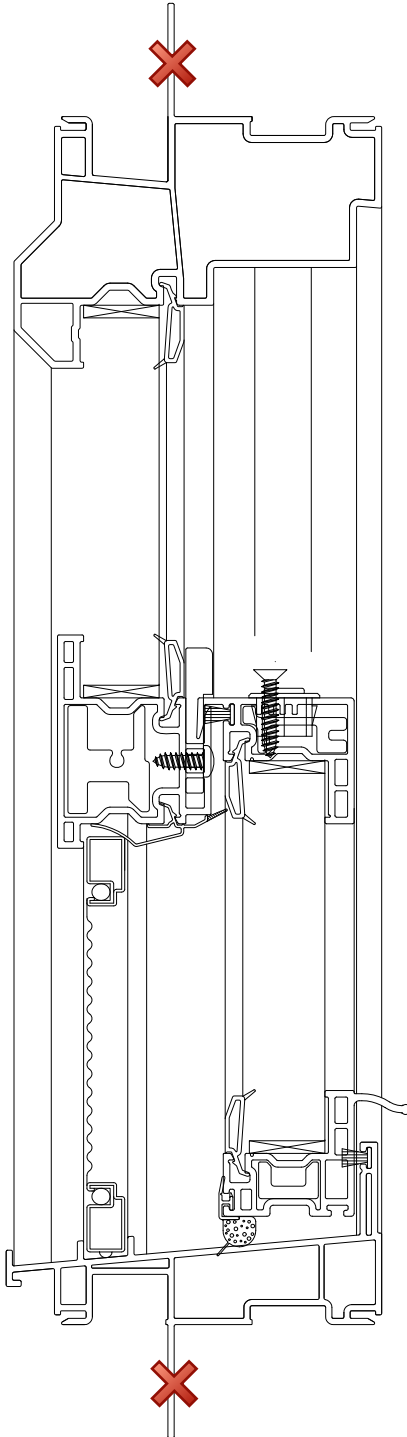
ALL SAME EXCEPT GLAZING BEAD

Report #: G6286-116-45
 Date: 5/11/2017
 Verified by: *[Signature]*

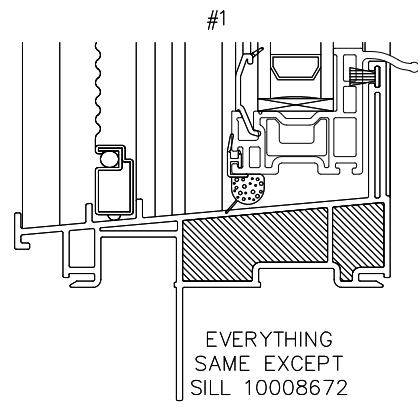
OPT 2



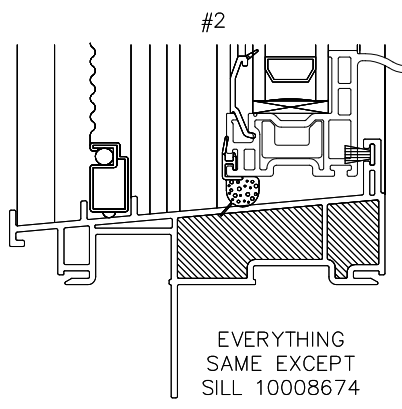
OPTIONAL GLAZING BEAD 10008127



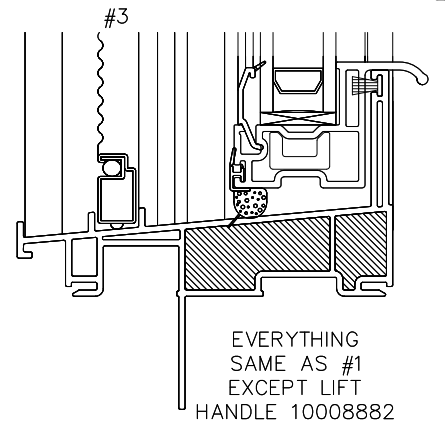
FOAM LOCATIONS



OPTIONAL DP 50 SILL



OPTIONAL EGRESS SILL



OPTIONAL LIFT HANDLE

142.294 SH-006 : FOAM IN FRAME AND FULLY REINFORCED - INNERC

CONFIDENTIAL

UNPUBLISHED WORK © 2017 DECEUNINCK NORTH AMERICA

THIS DOCUMENT CONTAINS PROPRIETARY AND CONFIDENTIAL INFORMATION. DO NOT COPY OR DISCLOSE THIS INFORMATION WITHOUT THE EXPRESS WRITTEN CONSENT OF DECEUNINCK NORTH AMERICA. DECEUNINCK NORTH AMERICA RESERVES THE RIGHT TO CHANGE THIS DRAWING AND ANY ASSOCIATED DOCUMENTS.

THIRD ANGLE PROJECTION



DESIGN BY: SMW
 DATE: 15/9/24
 DRAWN BY: AJH
 DATE: 17/04/25
 AUTH: DATE:
 AUTH: DATE:
 AUTH: DATE:
 FILENAME: 190539



142294 SH-006

SIZE DWG. NO: 142294SH-006
 SCALE: 1 : 1 (LBS/FT.)
 SHEET: 1 OF 1

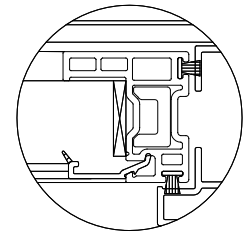
REVISION HISTORY			
REV	DESCRIPTION	DATE	APPROVED
-	DESCRIPTION	DATE	APPROVED

ALL SAME EXCEPT GLAZING BEAD

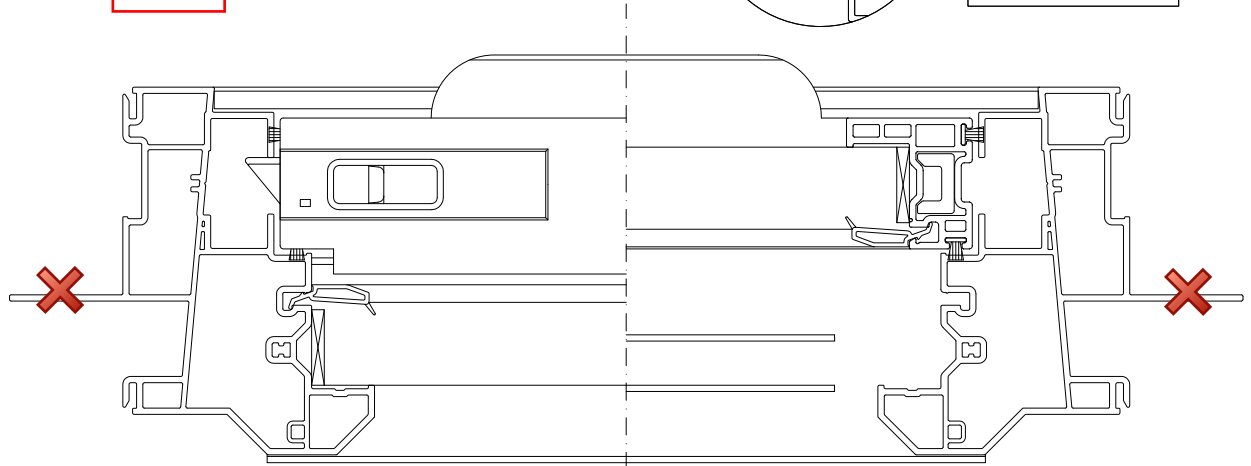
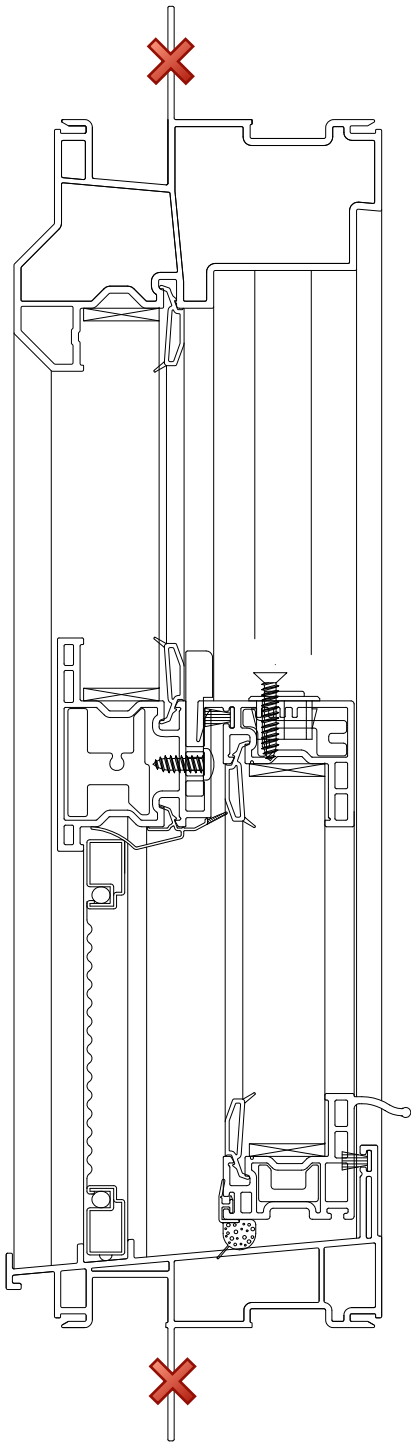
Report #: G6286-116-45
 Date: 5/11/2017
 Verified by: *[Signature]*



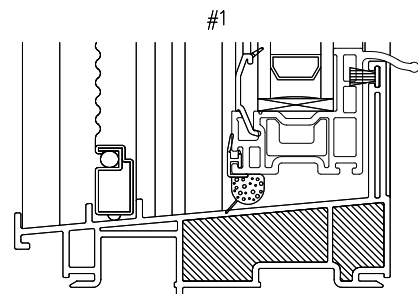
OPT 3



OPTIONAL GLAZING BEAD 10008127

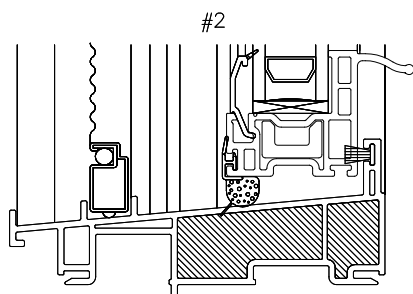


FOAM LOCATIONS



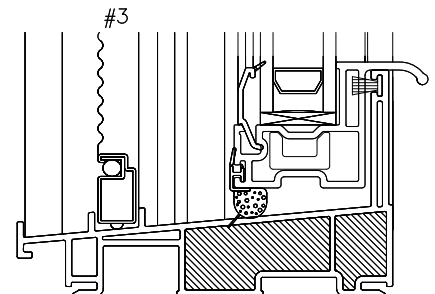
EVERYTHING SAME EXCEPT SILL 10008672

OPTIONAL DP 50 SILL



EVERYTHING SAME EXCEPT SILL 10008674

OPTIONAL EGRESS SILL



EVERYTHING SAME AS #1 EXCEPT HANDLE 10008882

OPTIONAL LIFT HANDLE

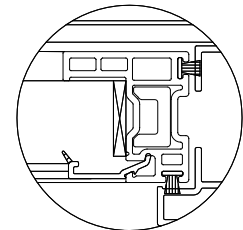
142.294 SH-006 : FOAM IN FRAME AND FULLY REINFORCED - INNERC

CONFIDENTIAL UNPUBLISHED WORK © 2017 DECEUNINCK NORTH AMERICA <small>THIS DOCUMENT CONTAINS PROPRIETARY AND CONFIDENTIAL INFORMATION. DO NOT COPY OR DISCLOSE THIS INFORMATION WITHOUT THE EXPRESS WRITTEN CONSENT OF DECEUNINCK NORTH AMERICA. DECEUNINCK NORTH AMERICA RESERVES THE RIGHT TO CHANGE THIS DRAWING AND ANY ASSOCIATED DOCUMENTS.</small>	THIRD ANGLE PROJECTION 	DESIGN BY: SMW	Deceuninck North America 351 N. Carver Road Monroe, OH 45050
		DATE: 15/9/24	
		DRAWN BY: AJH	NAME: 142294 SH-006
		DATE: 17/04/25	
		AUTH: DATE:	SIZE DWG. NO: 142294SH-006
		AUTH: DATE:	
		AUTH: DATE:	SCALE: 1 : 1 (LBS/FT.)
		AUTH: DATE:	
		FILENAME: 190539	REV: A
		SHEET: 1 OF 1	

REVISION HISTORY			
REV	DESCRIPTION	DATE	APPROVED
-	DESCRIPTION	DATE	APPROVED

Report #: G6286-116-45
 Date: 5/11/2017
 Verified by: *[Signature]*

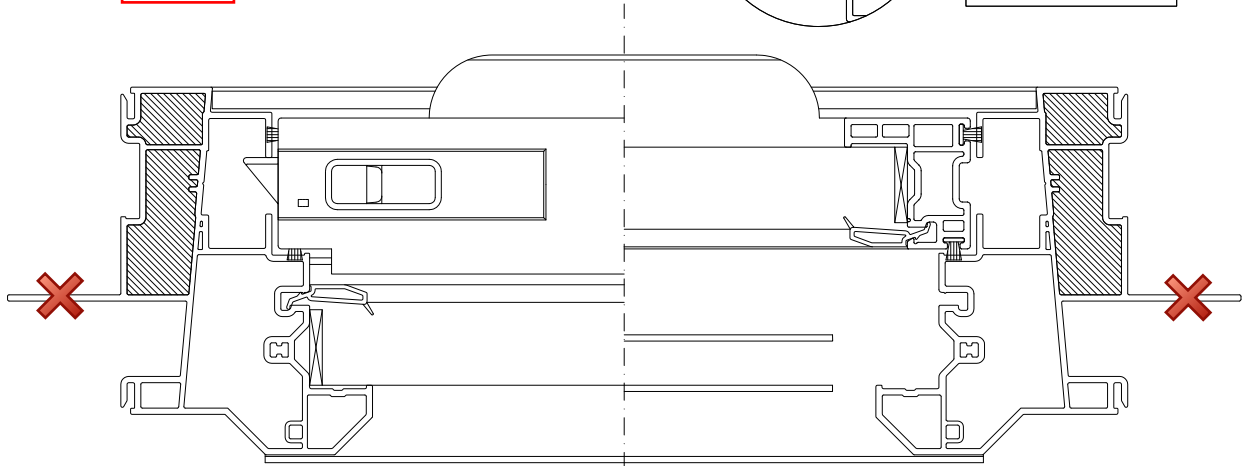
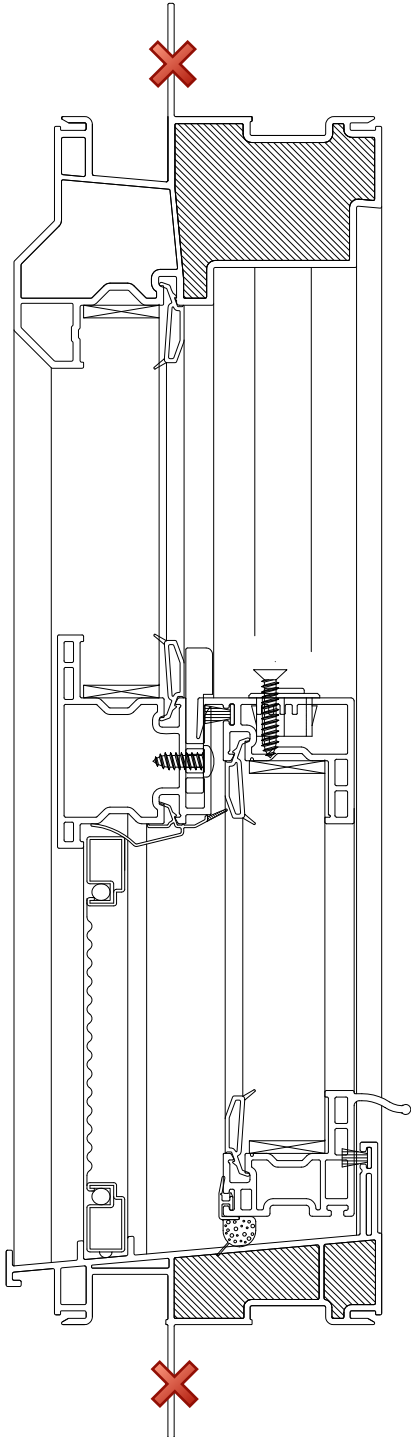
Intertek MT



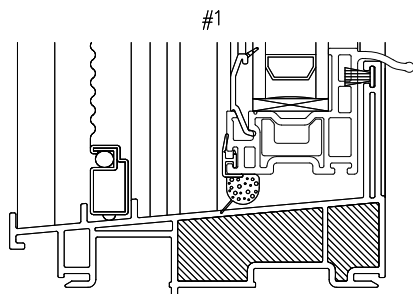
ALL SAME EXCEPT GLAZING BEAD

OPTIONAL GLAZING BEAD 10008127

OPT 4

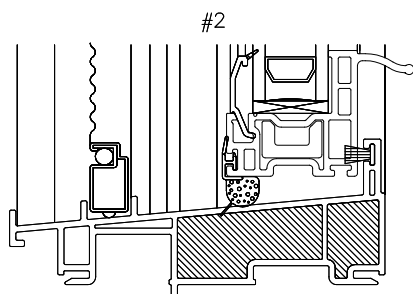


FOAM LOCATIONS



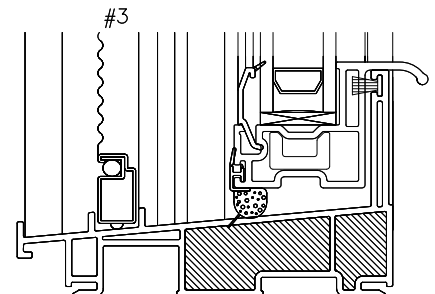
EVERYTHING SAME EXCEPT SILL 10008672

OPTIONAL DP 50 SILL



EVERYTHING SAME EXCEPT SILL 10008674

OPTIONAL EGRESS SILL



EVERYTHING SAME AS #1 EXCEPT HANDLE 10008882

OPTIONAL LIFT HANDLE

142.294 SH-006 : FOAM IN FRAME AND FULLY REINFORCED - INNERC

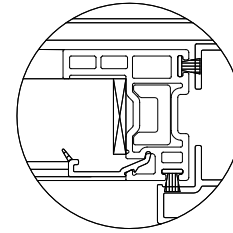
<p>CONFIDENTIAL</p> <p>UNPUBLISHED WORK © 2017 DECEUNINCK NORTH AMERICA</p> <p>THIS DOCUMENT CONTAINS PROPRIETARY AND CONFIDENTIAL INFORMATION. DO NOT COPY OR DISCLOSE THIS INFORMATION WITHOUT THE EXPRESS WRITTEN CONSENT OF DECEUNINCK NORTH AMERICA. DECEUNINCK NORTH AMERICA RESERVES THE RIGHT TO CHANGE THIS DRAWING AND ANY ASSOCIATED DOCUMENTS.</p>	<p>THIRD ANGLE PROJECTION</p>	DESIGN BY: SMW DATE: 15/9/24 DRAWN BY: AJH DATE: 17/04/25 AUTH: DATE: AUTH: DATE: AUTH: DATE: FILENAME: 190539	Deceuninck North America 351 N. Carver Road Monroe, OH 45050
		NAME: 142294 SH-006 SIZE DWG. NO: 142294SH-006 SCALE: 1 : 1 (LBS/FT.)	REV: A SHEET: 1 OF 1

REVISION HISTORY			
REV	DESCRIPTION	DATE	APPROVED
-	DESCRIPTION	DATE	APPROVED

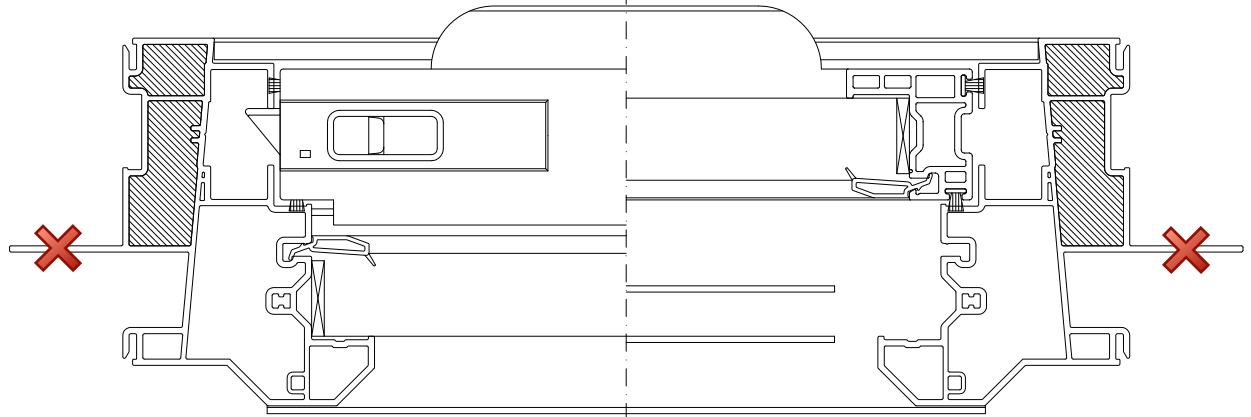
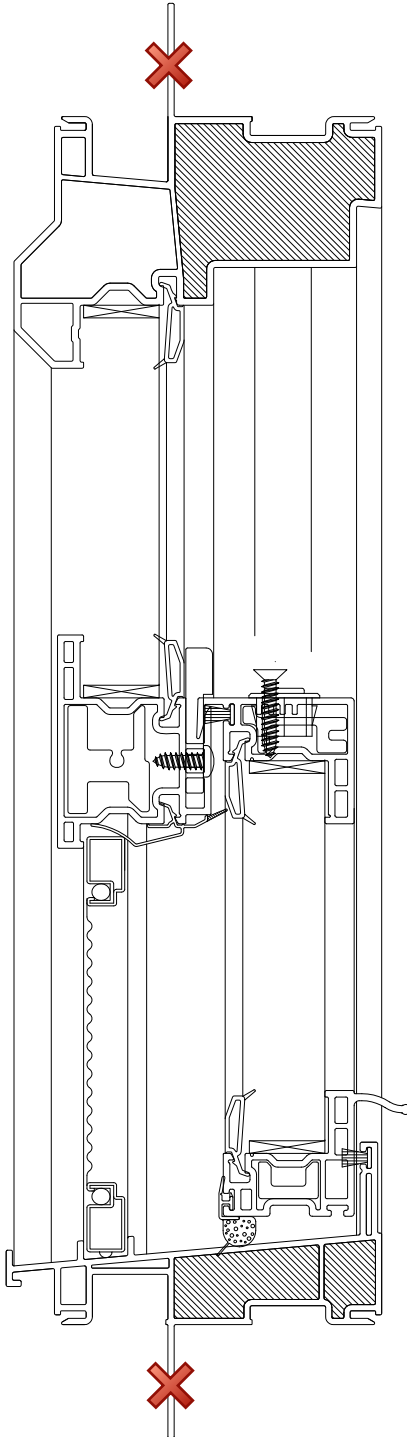
ALL SAME EXCEPT GLAZING BEAD

Report #: G6286-116-45
 Date: 5/11/2017
 Verified by: *[Signature]*

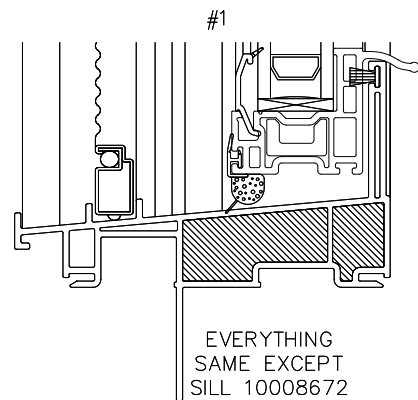
OPT 5



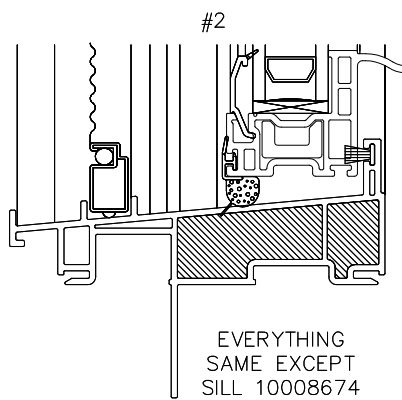
OPTIONAL GLAZING BEAD 10008127



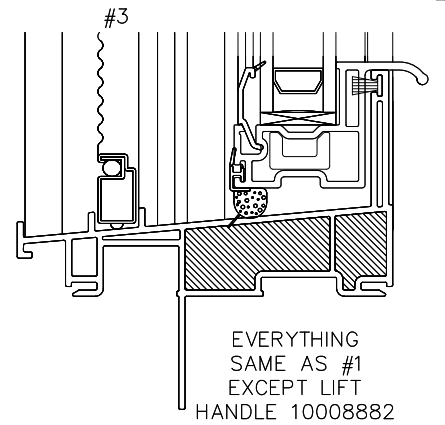
FOAM LOCATIONS



OPTIONAL DP 50 SILL



OPTIONAL EGRESS SILL



OPTIONAL LIFT HANDLE

142.294 SH-006 : FOAM IN FRAME AND FULLY REINFORCED - INNERC

<p>CONFIDENTIAL</p> <p>UNPUBLISHED WORK © 2017 DECEUNINCK NORTH AMERICA</p> <p>THIS DOCUMENT CONTAINS PROPRIETARY AND CONFIDENTIAL INFORMATION. DO NOT COPY OR DISCLOSE THIS INFORMATION WITHOUT THE EXPRESS WRITTEN CONSENT OF DECEUNINCK NORTH AMERICA. DECEUNINCK NORTH AMERICA RESERVES THE RIGHT TO CHANGE THIS DRAWING AND ANY ASSOCIATED DOCUMENTS.</p>	<p>THIRD ANGLE PROJECTION</p>	DESIGN BY: SMW DATE: 15/9/24 DRAWN BY: AJH DATE: 17/04/25 AUTH: DATE: AUTH: DATE: AUTH: DATE: FILENAME: 190539	Deceuninck North America 351 N. Garver Road Monroe, OH 45050 NAME: 142294 SH-006 SIZE: DWG. NO: 142294SH-006 SCALE: 1 : 1 (LBS/FT.)
		SHEET: 1 OF 1	

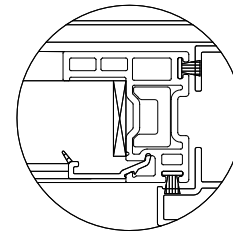
REVISION HISTORY			
REV	DESCRIPTION	DATE	APPROVED
-	DESCRIPTION	DATE	APPROVED

ALL SAME EXCEPT GLAZING BEAD

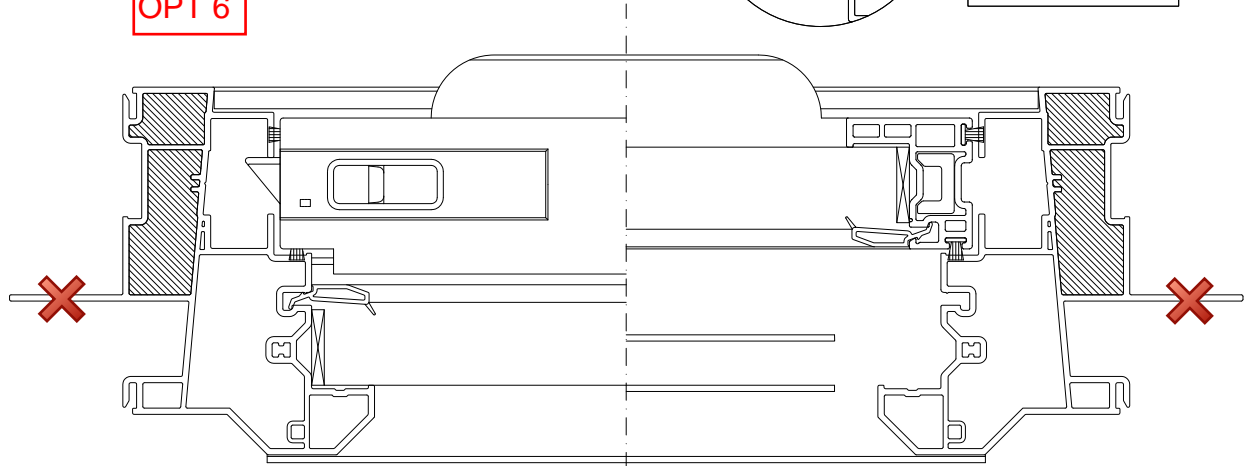
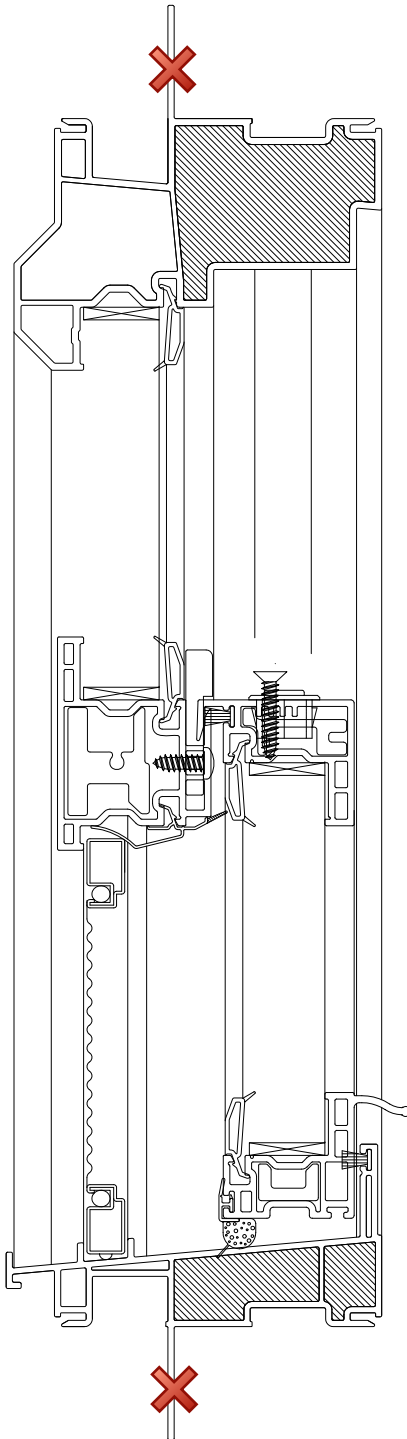
Report #: G6286-116-45
 Date: 5/11/2017
 Verified by: *[Signature]*



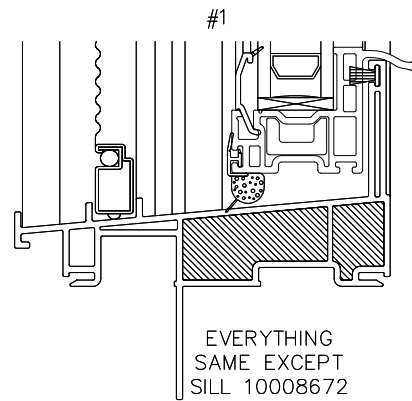
OPT 6



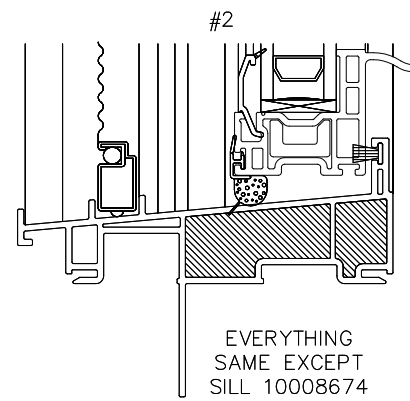
OPTIONAL GLAZING BEAD 10008127



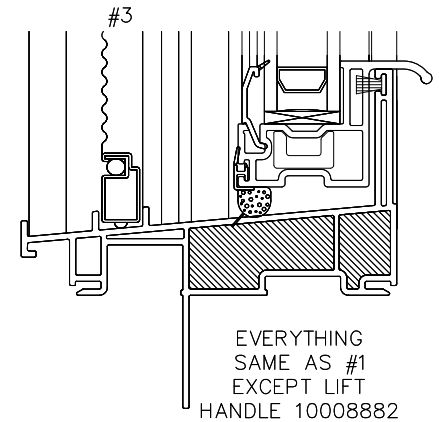
FOAM LOCATIONS



OPTIONAL DP 50 SILL



OPTIONAL EGRESS SILL



OPTIONAL LIFT HANDLE

142.294 SH-006 : FOAM IN FRAME AND FULLY REINFORCED - INNERC

CONFIDENTIAL

UNPUBLISHED WORK © 2017 DECEUNINCK NORTH AMERICA

THIS DOCUMENT CONTAINS PROPRIETARY AND CONFIDENTIAL INFORMATION. DO NOT COPY OR DISCLOSE THIS INFORMATION WITHOUT THE EXPRESS WRITTEN CONSENT OF DECEUNINCK NORTH AMERICA. DECEUNINCK NORTH AMERICA RESERVES THE RIGHT TO CHANGE THIS DRAWING AND ANY ASSOCIATED DOCUMENTS.

THIRD ANGLE PROJECTION



DESIGN BY: SMW
 DATE: 15/9/24
 DRAWN BY: AJH
 DATE: 17/04/25
 AUTH: DATE:
 AUTH: DATE:
 AUTH: DATE:
 FILENAME: 190539



142294 SH-006

SIZE DWG. NO: 142294SH-006
 SCALE: 1 : 1 (LBS/FT.)

REV: A
 SHEET: 1 OF 1

Single Hung		DECEUNINCK MODEL NO.		142.094 SH - 009					deceuninck
		Part No.	Vendor	Material	Type	Qty	Size	Length	
				Fastener					
				ex. Vinyl, Alum, Composite	ex. Rivot / Screw		ex. #4, #6, #8, etc.		ex. Pan, Flat, Oval, etc.
Frame									
	Head	10008676	Deceuninck	Vinyl					
	Frame Adapter - Head (if applicable)								
	Jamb	10008675	Deceuninck	Vinyl					
	Sill	10008672	Deceuninck	Vinyl					
	Frame Adapter - Sill (if applicable)								
	Meeting Rail	10008511	Deceuninck	Vinyl					
	Glazing Bead	10005473	Deceuninck	Vinyl					
	Sash Stop (if applicable)	10008483	Deceuninck	Vinyl					
	Balance Cover (if applicable)	10005104	Deceuninck	Vinyl					
	Screen Retainer	10005258	Deceuninck	Vinyl					
Sash									
	Lock Rail	10008895	Deceuninck	Vinyl					
	Stile	10008875	Deceuninck	Vinyl					
	Lift Rail	10008882	Deceuninck	Vinyl					
	Bulb Seal	10008206	Deceuninck	Vinyl					
	Glazing Bead	10005473	Deceuninck	Vinyl					
Hardware									
	Glass Thickness	3/4" IG		GLASS					
	Balance Type - Coil, B&T or Spiral								
	Balance Shoe								
	Pivot Bar								
	Lock - Auto, Cam or Sweep								
	Keeper (if applicable)								
	Tilt Latch								
	Tilt Latch Clip								
	Sill Interlocks								
	Meeting Rail Bracket								
Reinforcement (if applicable)									
	Frame								
	Meeting Rail	10300084		MILL ALUM.					
	Lock Rail	10300083		MILL ALUM.					
	Stile	10300083		MILL ALUM.					
	Lift Rail	10300083		MILL ALUM.					

A print and CAD (dxf) drawing for any non-Deceuninck parts (i.e. glazing beads, reinforcements, bulb seals, balance covers, screen adapters, etc.), except glass and hardware components must be emailed along with a copy of this completed form to Deceuninck for the testing process to begin.

Confidential - Unpublished Work © 2012 - Deceuninck North America

THIS DOCUMENT CONTAINS PROPRIETARY AND CONFIDENTIAL INFORMATION. DO NOT COPY OR DISCLOSE THIS INFORMATION WITHOUT THE EXPRESS WRITTEN CONSENT OF DECEUNINCK NORTH AMERICA. DECEUNINCK NORTH AMERICA RESERVES THE RIGHT TO CHANGE THIS DRAWING AND ANY ASSOCIATED DOCUMENTS.


	Report #:	G6286-116-45
	Date:	5/11/2017
	Verified by:	

000.294 SH - 001 BILL OF MATERIALS


ITEM NO.	MAT. TYPE	DESCRIPTION	QUANTITY	PART NO.	FAB DWG. NO	SOURCE
1	VINYL	LOCK RAIL	1	10008895	10008895-F-06	A
2	VINYL	STILE	2	10008865	10008865-F-02	A
3	VINYL	BOTTOM LIFT RAIL	1	10008866	10008866-F-03	A
4						
5	VINYL	BULB SEAL	1	10008206	10008206-F-01	A
6	VINYL	GLAZING BEAD	4	10008134	10008134-F-01	A
		PIVOT BAR				
7		For Crossbow Balance	2	13037		D
8		For Coil Balance	2	13036		D
9	MILL AL	SASH REINFORCEMENT	AS REQ'D	10006202	STRAIGHT CUT	EEE, OOO
10	MILL AL	SASH REINFORCEMENT	AS REQ'D	AWA .27 SASH SMALL ALUMINUM	STRAIGHT CUT	EEE, OOO
11	BAYER	OPTIONAL SASH REINFORCEMENT	AS REQ'D	10000661	STRAIGHT CUT	A
12	BAYER	OPTIONAL SASH REINFORCEMENT	AS REQ'D	AWA .27 SASH SMALL INNERGY	STRAIGHT CUT	A
13		LOCK ASSEMBLY	1 OR 2	L29990010002R - NO NIBS		D
14		LOCK ASSEMBLY	1 OR 2	L29990110002R - NESTING NIBS		D
15		LOCK ASSEMBLY	1 OR 2	L2999001AM1R - NO NIBS / ALLIANCE LOGO		D
16		LOCK ASSEMBLY	1 OR 2	L2999011AM1R - NESTING NIBS / ALLIANCE LOGO		D
17		TILT LATCH ASSEMBLY	2	78050 / 78150		D
18						
19		3/4" INSULATED GLASS	1			
20		SETTING BLOCKS (Refer to IG Supplier Guidelines)	AS REQ'D	1/8" x 3/4"		W
21		GLAZING COMPOUND	AS REQ'D			T
22		LOCK SCREW	2 OR 4	#8 x 3/4" PFH		B, Z
23						
24		PIVOT BAR SCREW - RAILS	2 or 4	#6 x 3/8" PPH		B, Z
25		PIVOT BAR SCREW - STILES	2	#6 x 1/2 PFH		B, Z
26						

Rev	Date	Description	By

CONFIDENTIAL
UNPUBLISHED WORK © 2015
DECEUNINCK NORTH AMERICA

	
MONROE, OH COPYRIGHT 2015	
NAME:	000.294 SH - 001
DWN BY:	SMW 8/6/2015
CHKD BY:	
DWG NO:	000294SH-001.xls

THIS DOCUMENT CONTAINS PROPRIETARY AND CONFIDENTIAL INFORMATION. DO NOT COPY OR DISCLOSE THIS INFORMATION WITHOUT THE EXPRESS WRITTEN CONSENT OF DECEUNINCK NORTH AMERICA.

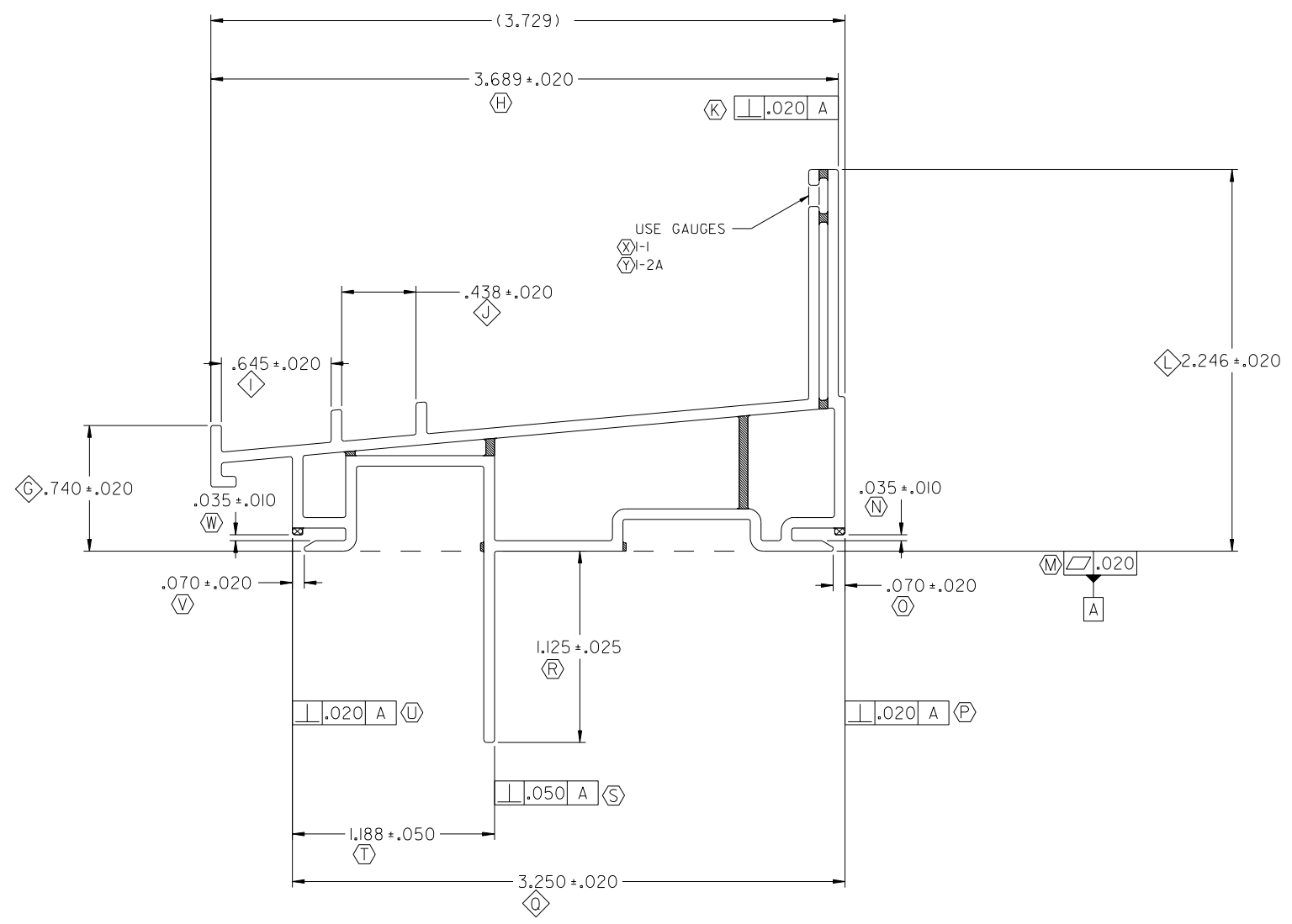
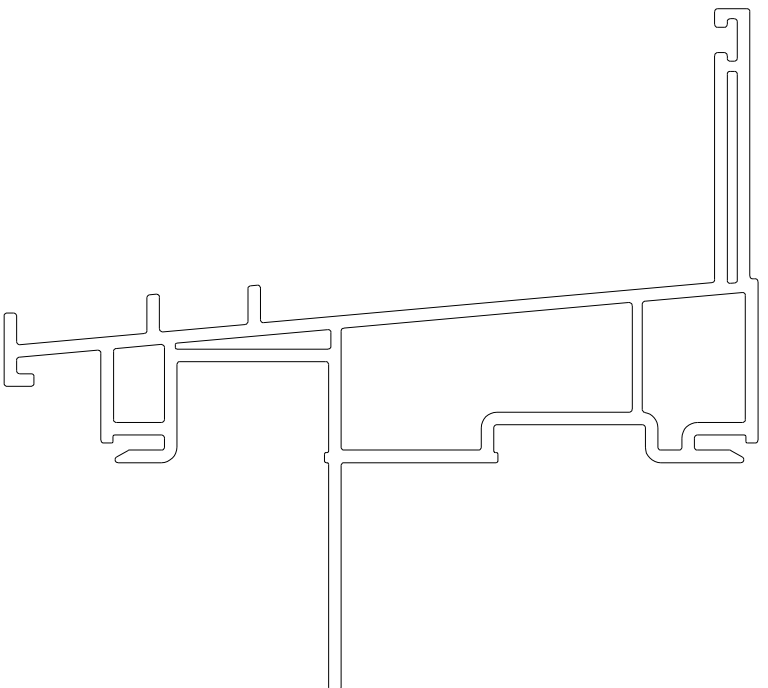
	Report #:	G6286-116-45
	Date:	5/11/2017
	Verified by:	

CAD MAINTAINED. CHANGES SHALL BE INCORPORATED BY THE DESIGN ACTIVITY.

REVISION HISTORY			
REV	DESCRIPTION	DATE	APPROVED
F	ADDED KPC DIMENSIONS	09/04/09	BWB

KEY PRODUCT CHARACTERISTICS	
G	FRAME DIMENSION .720 - .760
I	FRAME DIMENSION .625 - .665
J	FRAME DIMENSION .418 - .458
L	FRAME DIMENSION 2.226 - 2.266
Q	FRAME DIMENSION 3.230 - 3.270

Report #: G6286-116-45
 Date: 5/11/2017
 Verified by: [Signature]



WALL THICKNESS

.062	[White Box]
.060	[Cross-hatched Box]
.050	[Diagonal-hatched Box]

- NOTES:
- 'STD00013' STRAIGHTNESS CLASS A AND LENGTH TOLERANCES APPLY (A)
 - INTERPRET ALL TOLERANCE APPLICATIONS PER STD0013 (B)
 - UNSPECIFIED EXTERNAL RADII = .XXX +.010 / -.005 (C)
 - UNSPECIFIED INTERNAL RADII = .XXX +.020 / -.005 (D)
 - UNSPECIFIED EXTERNAL WALL THICKNESS = .XXX +/- 10% (E)
 - UNSPECIFIED INTERNAL WALL THICKNESS = .XXX +/- 20% (F)

CONFIDENTIAL UNPUBLISHED WORK © 2008 DECEUNINCK NORTH AMERICA	UNLESS OTHERWISE SPECIFIED DIM ARE IN INCHES TOL ON ANGLES ± 1° 2 PL: ± 0.010" 3 PL: ± 0.005" INTERPRET DIM AND TOL PER ASME Y14.5M - 1994	DESIGN BY: CRB DATE: 02/06/18 DRAWN BY: CRB DATE: 02/06/18 AUTH: DATE: AUTH: DATE: AUTH: DATE: FILENAME: \$FILE NAME\$	 351 NORTH GARVER ROAD MONROE, OHIO 45050
	THIS DOCUMENT CONTAINS PROPRIETARY AND CONFIDENTIAL INFORMATION. DO NOT COPY OR DISCLOSE THIS INFORMATION WITHOUT THE EXPRESS WRITTEN CONSENT OF DECEUNINCK NORTH AMERICA. DECEUNINCK NORTH AMERICA RESERVES THE RIGHT TO CHANGE THIS DRAWING AND ANY ASSOCIATED DOCUMENTS.	THIRD ANGLE PROJECTION	

\$PLT/DATES \$

\$USERS\$

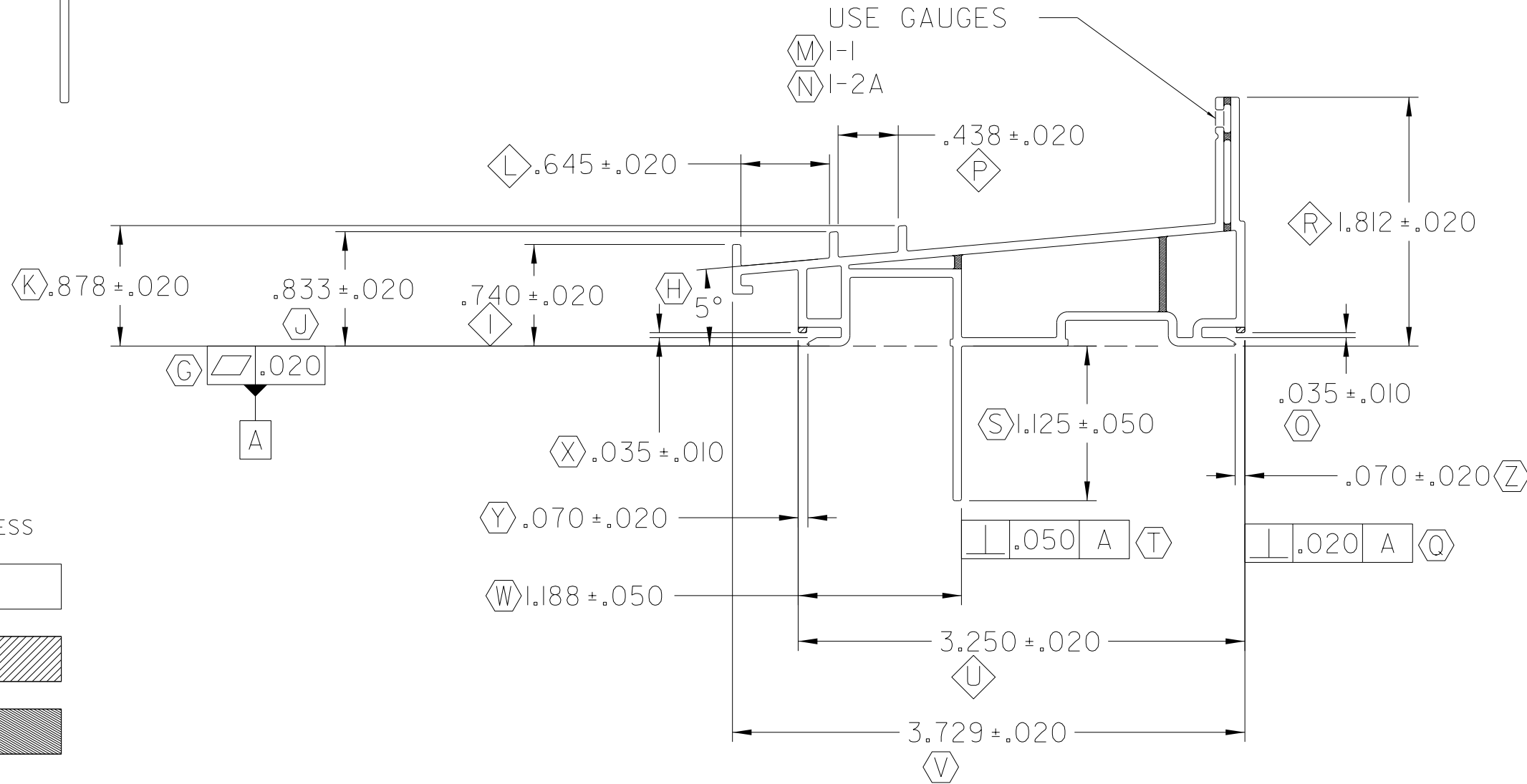
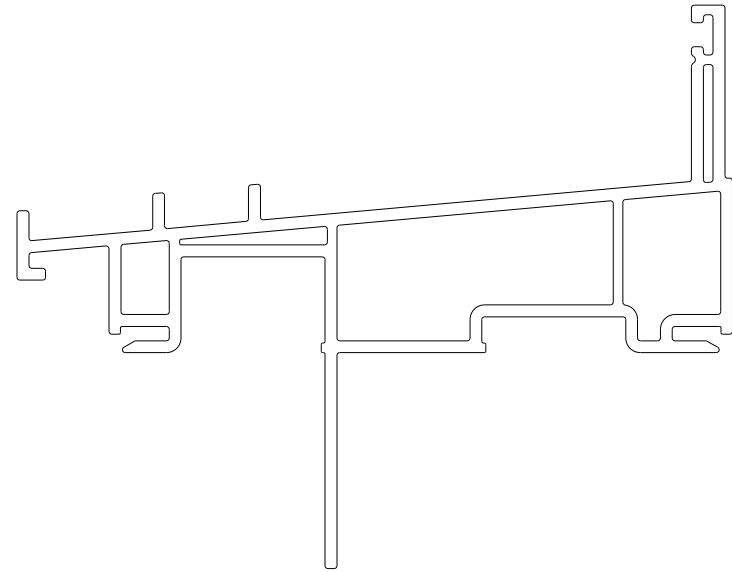
\$FILEL\$

CAD MAINTAINED. CHANGES SHALL BE INCORPORATED BY THE DESIGN ACTIVITY.

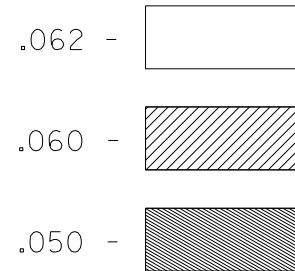
REVISION HISTORY			
REV	DESCRIPTION	DATE	APPROVED
L	ADDED DIMENSIONS "Y" AND "Z"	14/05/09	BWB

Report #: **G6286-116-45**
 Date: **5/11/2017**
 Verified by: *[Signature]*

KEY PRODUCT CHARACTERISTICS	
I	DIMENSION .720 - .760
L	DIMENSION .625 - .655
P	DIMENSION .418 - .458
R	DIMENSION 1.792 - 1.832
U	DIMENSION 3.230 - 3.270



WALL THICKNESS



NOTES:

- 'STD00013' STRAIGHTNESS CLASS A AND LENGTH TOLERANCES APPLY (A)
- INTERPRET ALL TOLERANCE APPLICATIONS PER STD0013 (B)
- UNSPECIFIED EXTERNAL RADII = .XXX +.010 / -.005 (C)
- UNSPECIFIED INTERNAL RADII = .XXX +.020 / -.005 (D)
- UNSPECIFIED EXTERNAL WALL THICKNESS = .XXX +/- 10% (E)
- UNSPECIFIED INTERNAL WALL THICKNESS = .XXX +/- 20% (F)

CONFIDENTIAL

UNPUBLISHED WORK © 2014
 DECEUNINCK NORTH AMERICA

THIS DOCUMENT CONTAINS PROPRIETARY AND CONFIDENTIAL INFORMATION. DO NOT COPY OR DISCLOSE THIS INFORMATION WITHOUT THE EXPRESS WRITTEN CONSENT OF DECEUNINCK NORTH AMERICA. DECEUNINCK NORTH AMERICA RESERVES THE RIGHT TO CHANGE THIS DRAWING AND ANY ASSOCIATED DOCUMENTS.

UNLESS OTHERWISE SPECIFIED
 DIM ARE IN INCHES
 TOL ON ANGLES ± 1°
 2 PL: ± 0.010" 3 PL: ± 0.005"
 INTERPRET DIM AND TOL PER
 ASME Y14.5M - 1994

THIRD ANGLE PROJECTION



DESIGN BY:	JOE L
DATE:	99/06/04
DRAWN BY:	FBL
DATE:	14/02/25
AUTH:	DATE:
AUTH:	DATE:
AUTH:	DATE:
FILENAME:	149528

deceuninck NORTH AMERICA
 351 NORTH GARVER ROAD
 MONROE, OHIO 45050

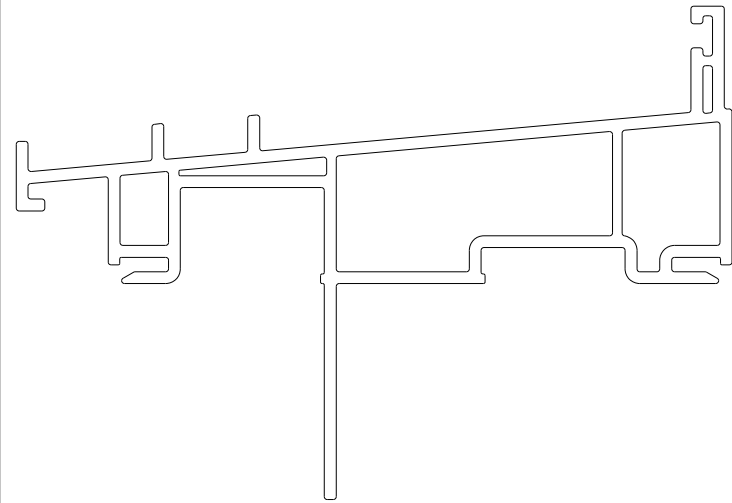
NAME:
 SILL FRAME - SH/DH

SIZE	DWG. NO:	REV.
B	10008673_SH	L
SCALE:	1:1 (LBS/FT.) .579	SHEET: 1 OF 1

\$PLOTDATE\$

\$USER\$

\$FILE\$



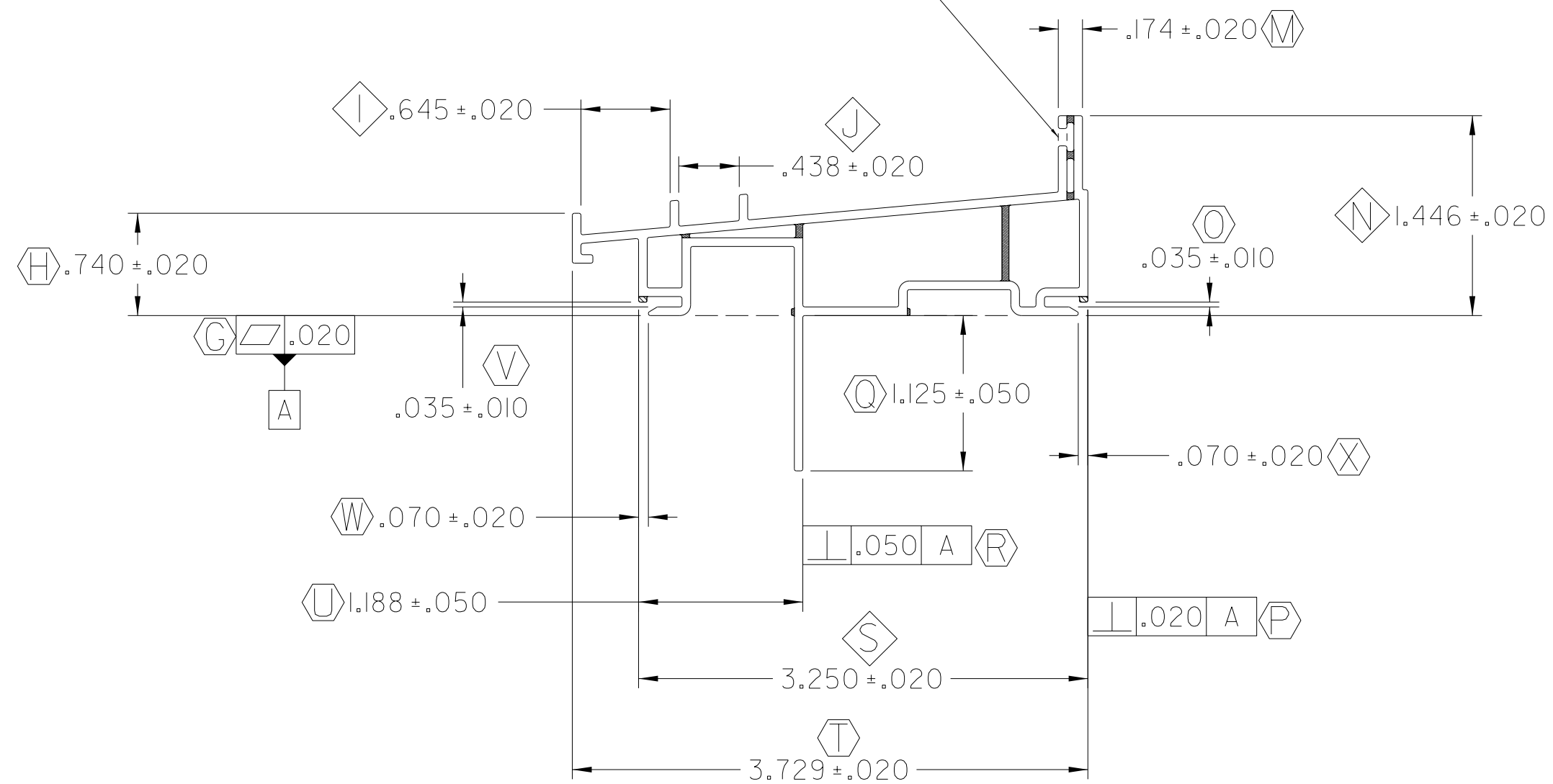
CAD MAINTAINED. CHANGES SHALL BE INCORPORATED BY THE DESIGN ACTIVITY.

Report #: **G6286-116-45**
 Date: **5/11/2017**
 Verified by: *[Signature]*

REVISION HISTORY			
REV	DESCRIPTION	DATE	APPROVED
G	ADDED DIMENSIONS "W" AND "X"	15/09/03	BWB

KEY PRODUCT CHARACTERISTICS	
I	DIMENSION .625 - .665
J	DIMENSION .418 - .458
N	DIMENSION 1.426 - 1.466
S	DIMENSION 3.230 - 3.270

USE GAUGES
 K-1
 I-2A



WALL THICKNESS

.062 -	[White Box]
.060 -	[Diagonal Hatching]
.050 -	[Cross-hatching]

- NOTES:
- 'STD00013' STRAIGHTNESS CLASS A AND LENGTH TOLERANCES APPLY (A)
 - INTERPRET ALL TOLERANCE APPLICATIONS PER STD0013 (B)
 - UNSPECIFIED EXTERNAL RADII = .XXX +.010 / -.005 (C)
 - UNSPECIFIED INTERNAL RADII = .XXX +.020 / -.005 (D)
 - UNSPECIFIED EXTERNAL WALL THICKNESS = .XXX +/- 10% (E)
 - UNSPECIFIED INTERNAL WALL THICKNESS = .XXX +/- 20% (F)

CONFIDENTIAL
 UNPUBLISHED WORK © 2015 DECEUNINCK NORTH AMERICA
 THIS DOCUMENT CONTAINS PROPRIETARY AND CONFIDENTIAL INFORMATION. DO NOT COPY OR DISCLOSE THIS INFORMATION WITHOUT THE EXPRESS WRITTEN CONSENT OF DECEUNINCK NORTH AMERICA. DECEUNINCK NORTH AMERICA RESERVES THE RIGHT TO CHANGE THIS DRAWING AND ANY ASSOCIATED DOCUMENTS.

UNLESS OTHERWISE SPECIFIED DIM ARE IN INCHES
 TOL ON ANGLES ± 1°
 2 PL: ± 0.010" 3 PL: ± 0.005"
 INTERPRET DIM AND TOL PER ASME Y14.5M - 1994

THIRD ANGLE PROJECTION

DESIGN BY:	JOE L
DATE:	99/06/04
DRAWN BY:	JOE L
DATE:	99/06/04
AUTH:	DATE:
AUTH:	DATE:
AUTH:	DATE:
FILENAME:	169734

deceuninck NORTH AMERICA
 351 NORTH GARVER ROAD
 MONROE, OHIO 45050

NAME: **SILL FRAME - DH**

SIZE	DWG. NO:	REV.
B	10008674_SH	G
SCALE:	1:1 (LBS/FT.) .530	SHEET: 1 OF 1

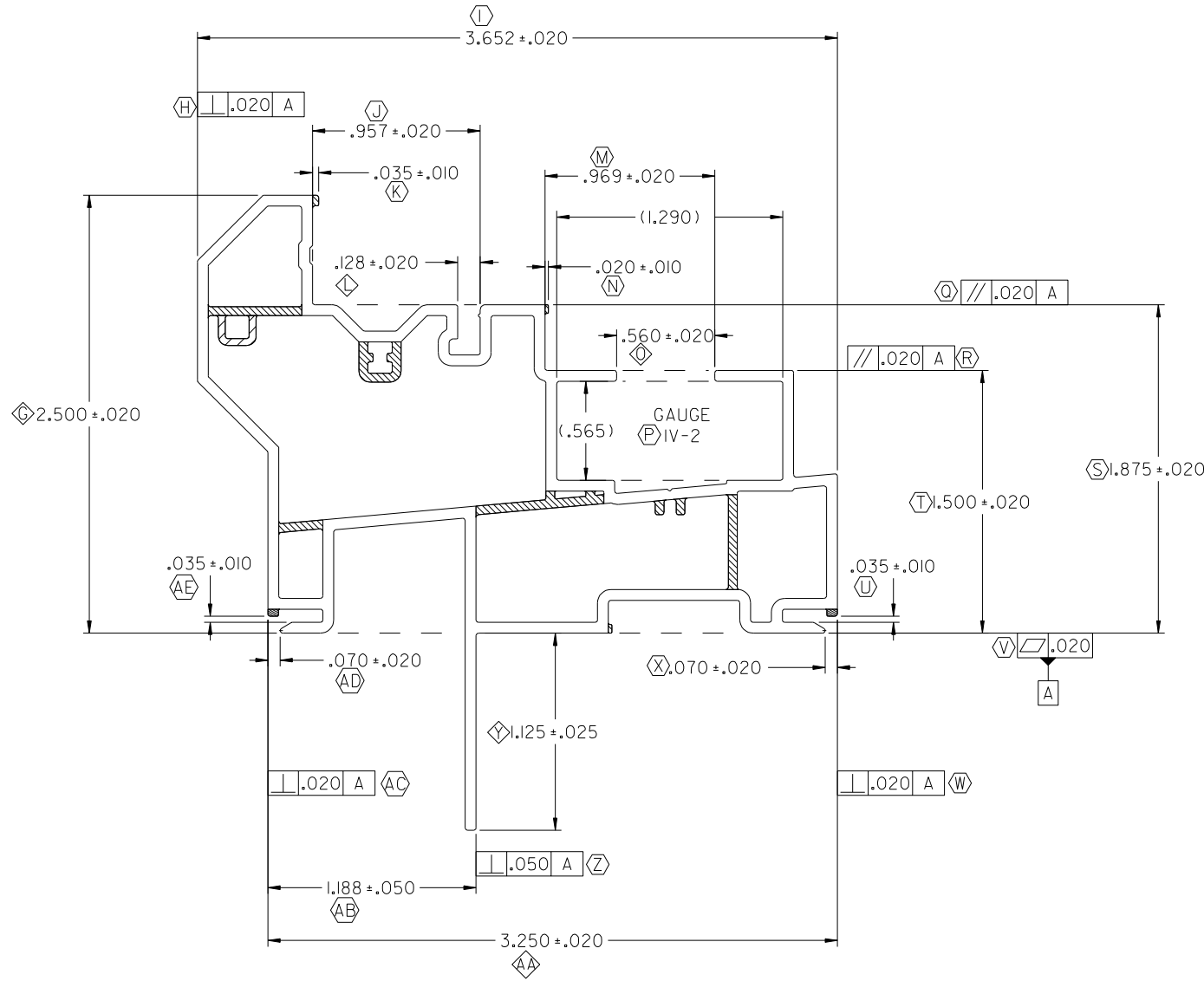
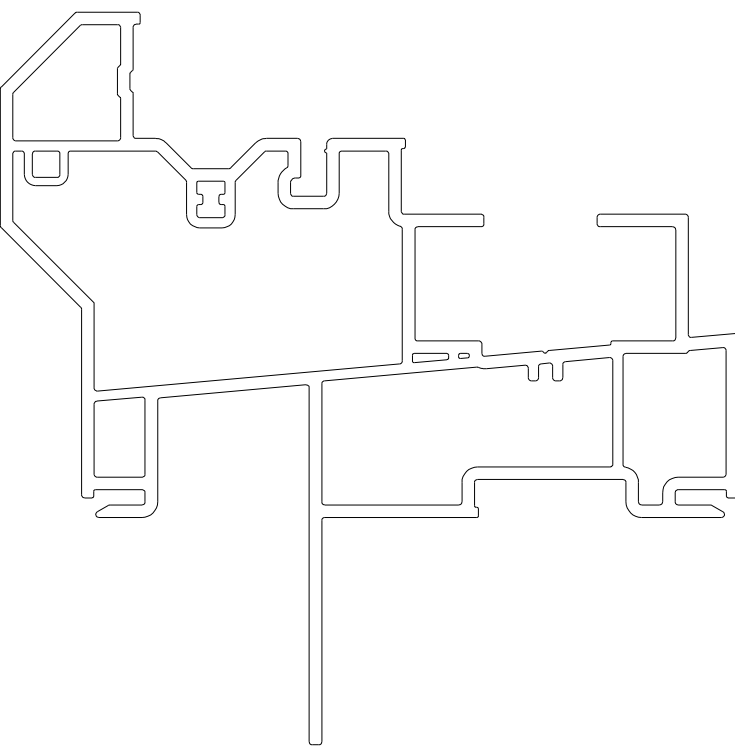
\$USERS\$ \$PLOTDATE\$ \$FILEL\$

CAD MAINTAINED. CHANGES SHALL BE INCORPORATED BY THE DESIGN ACTIVITY.

Report #: **G6286-116-45**
 Date: **5/11/2017**
 Verified by: *[Signature]*

REVISION HISTORY			
REV	DESCRIPTION	DATE	APPROVED
L	ADDED KPC DIMENSIONS	09/02/16	BWB

KEY PRODUCT CHARACTERISTICS	
G	FRAME DIMENSION 2.480 - 2.520
L	FRAME DIMENSION .108 - .148
O	FRAME DIMENSION .540 - .580
Y	FRAME DIMENSION 1.100 - 1.150
AA	FRAME DIMENSION 3.230 - 3.270



WALL THICKNESS

.062 -	
.060 -	
.050 -	
.040 -	

NOTES:

- 'STD00013' STRAIGHTNESS CLASS A AND LENGTH TOLERANCES APPLY (A)
- INTERPRET ALL TOLERANCE APPLICATIONS PER STD0013 (B)
- UNSPECIFIED EXTERNAL RADII = .XXX ±.010 / -.005 (C)
- UNSPECIFIED INTERNAL RADII = .XXX ±.020 / -.005 (D)
- UNSPECIFIED EXTERNAL WALL THICKNESS = .XXX +/- 10% (E)
- UNSPECIFIED INTERNAL WALL THICKNESS = .XXX +/- 20% (F)

CONFIDENTIAL UNPUBLISHED WORK © 2008 DECEUNINCK NORTH AMERICA	UNLESS OTHERWISE SPECIFIED DIM ARE IN INCHES TOL ON ANGLES ± 1° 2 PL: ± 0.010" 3 PL: ± 0.005" INTERPRET DIM AND TOL PER ASME Y14.5M - 1994	DESIGN BY: MTC DATE: 99/06/03 DRAWN BY: MTC DATE: 99/06/03 AUTH: DATE: AUTH: DATE: AUTH: DATE: FILENAME: \$FILE NAME\$	 351 NORTH GARVER ROAD MONROE, OHIO 45050 NAME: MAIN FRAME - SH SIZE DWG. NO: 10008675_SH SCALE: 1:1 (LBS/FT.) .780 SHEET: 1 OF 1	
	THIS DOCUMENT CONTAINS PROPRIETARY AND CONFIDENTIAL INFORMATION. DO NOT COPY OR DISCLOSE THIS INFORMATION WITHOUT THE EXPRESS WRITTEN CONSENT OF DECEUNINCK NORTH AMERICA. DECEUNINCK NORTH AMERICA RESERVES THE RIGHT TO CHANGE THIS DRAWING AND ANY ASSOCIATED DOCUMENTS.	THIRD ANGLE PROJECTION		

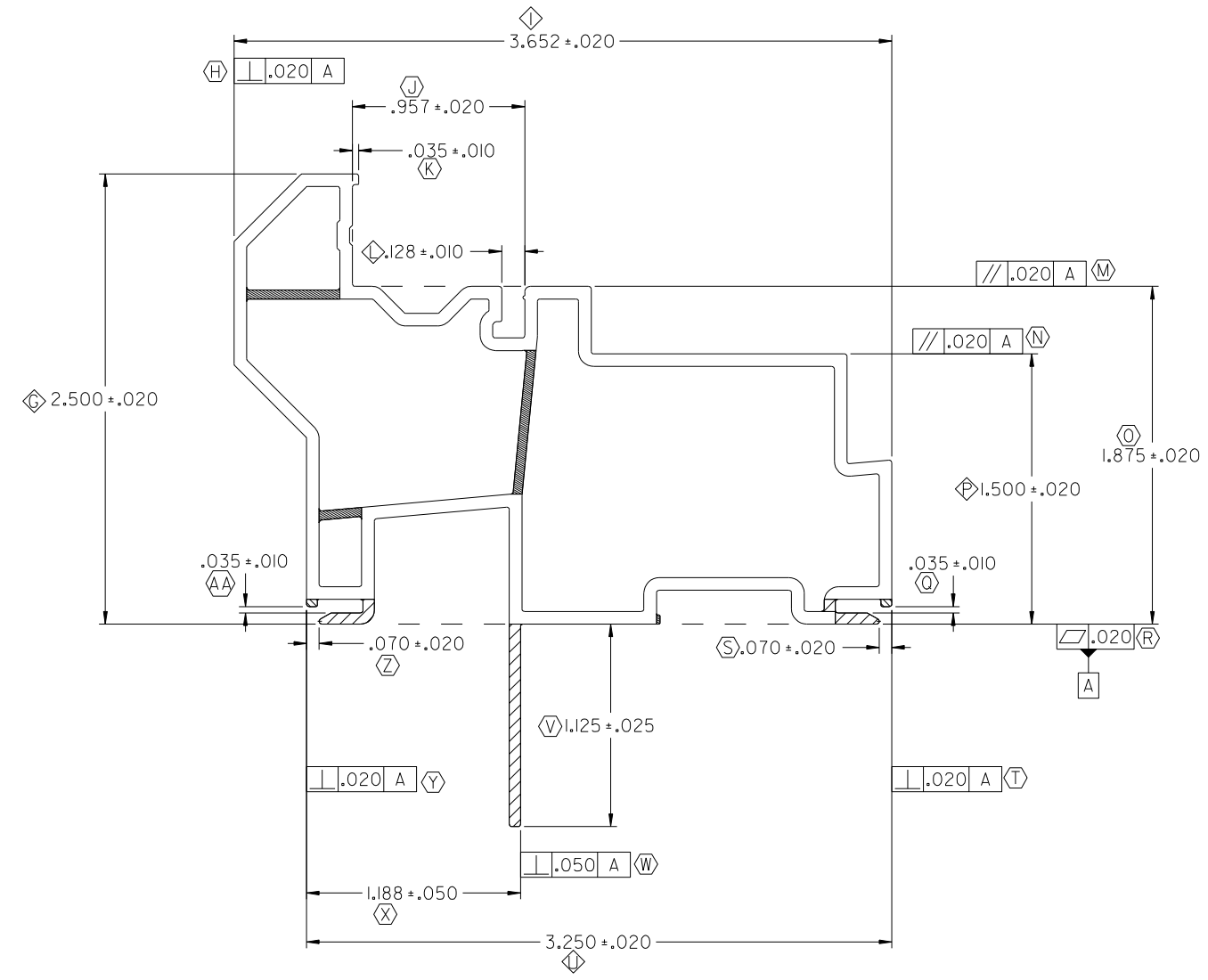
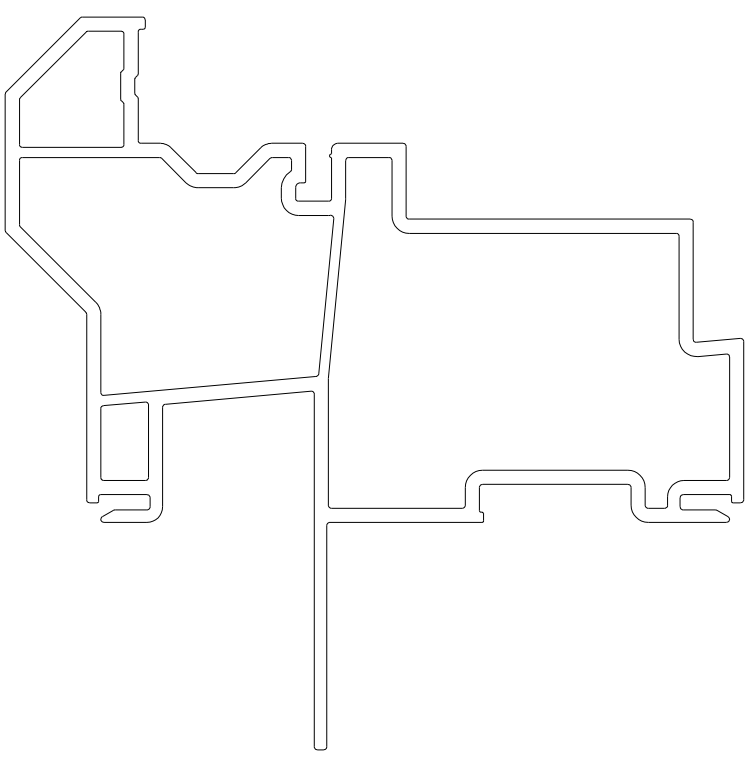
\$PLUTDATES
\$USERS\$
\$FILEL\$

CAD MAINTAINED. CHANGES SHALL BE INCORPORATED BY THE DESIGN ACTIVITY.

REVISION HISTORY			
REV	DESCRIPTION	DATE	APPROVED
G	KPC	09/10/30	BWB


Report #: G6286-116-45
Date: 5/11/2017
Verified by: *[Signature]*


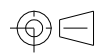
KEY PRODUCT CHARACTERISTICS	
G	DIMENSION 2.480 - 2.520
I	DIMENSION 3.632 - 3.672
L	DIMENSION .118 - .138
P	DIMENSION 1.480 - 1.520
U	DIMENSION 3.230 - 3.270



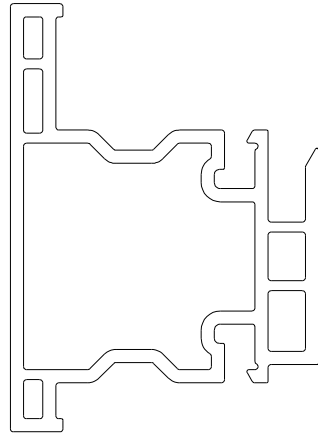
WALL THICKNESS

.070 -	
.062 -	
.060 -	
.050 -	

- NOTES:
- 'STD00013' STRAIGHTNESS CLASS A AND LENGTH TOLERANCES APPLY (A)
 - INTERPRET ALL TOLERANCE APPLICATIONS PER STD0013 (B)
 - UNSPECIFIED EXTERNAL RADII = .XXX +.010 / -.005 (C)
 - UNSPECIFIED INTERNAL RADII = .XXX +.020 / -.005 (D)
 - UNSPECIFIED EXTERNAL WALL THICKNESS = .XXX +/- 10% (E)
 - UNSPECIFIED INTERNAL WALL THICKNESS = .XXX +/- 20% (F)

<p>CONFIDENTIAL</p> <p>UNPUBLISHED WORK © 2009 DECEUNINCK NORTH AMERICA</p>	<p>UNLESS OTHERWISE SPECIFIED DIM ARE IN INCHES</p> <p>TOL ON ANGLES ± 1°</p> <p>2 PL: ± 0.010" 3 PL: ± 0.005"</p> <p>INTERPRET DIM AND TOL PER ASME Y14.5M - 1994</p>	<p>DESIGN BY: MTC</p> <p>DATE: 99/06/07</p> <p>DRAWN BY: MTC</p> <p>DATE: 99/06/07</p> <p>AUTH: DATE:</p> <p>AUTH: DATE:</p> <p>AUTH: DATE:</p> <p>FILENAME: \$FILE NAME\$</p>	<p>deceuninck </p> <p>NORTH AMERICA</p> <p>351 NORTH GARVER ROAD MONROE, OHIO 45050</p>
	<p>THIS DOCUMENT CONTAINS PROPRIETARY AND CONFIDENTIAL INFORMATION. DO NOT COPY OR DISCLOSE THIS INFORMATION WITHOUT THE EXPRESS WRITTEN CONSENT OF DECEUNINCK NORTH AMERICA. DECEUNINCK NORTH AMERICA RESERVES THE RIGHT TO CHANGE THIS DRAWING AND ANY ASSOCIATED DOCUMENTS.</p>	<p>THIRD ANGLE PROJECTION</p> <p></p>	

\$PLT\$ \$USER\$ \$FILE\$



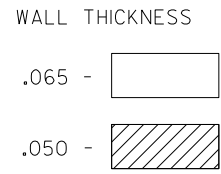
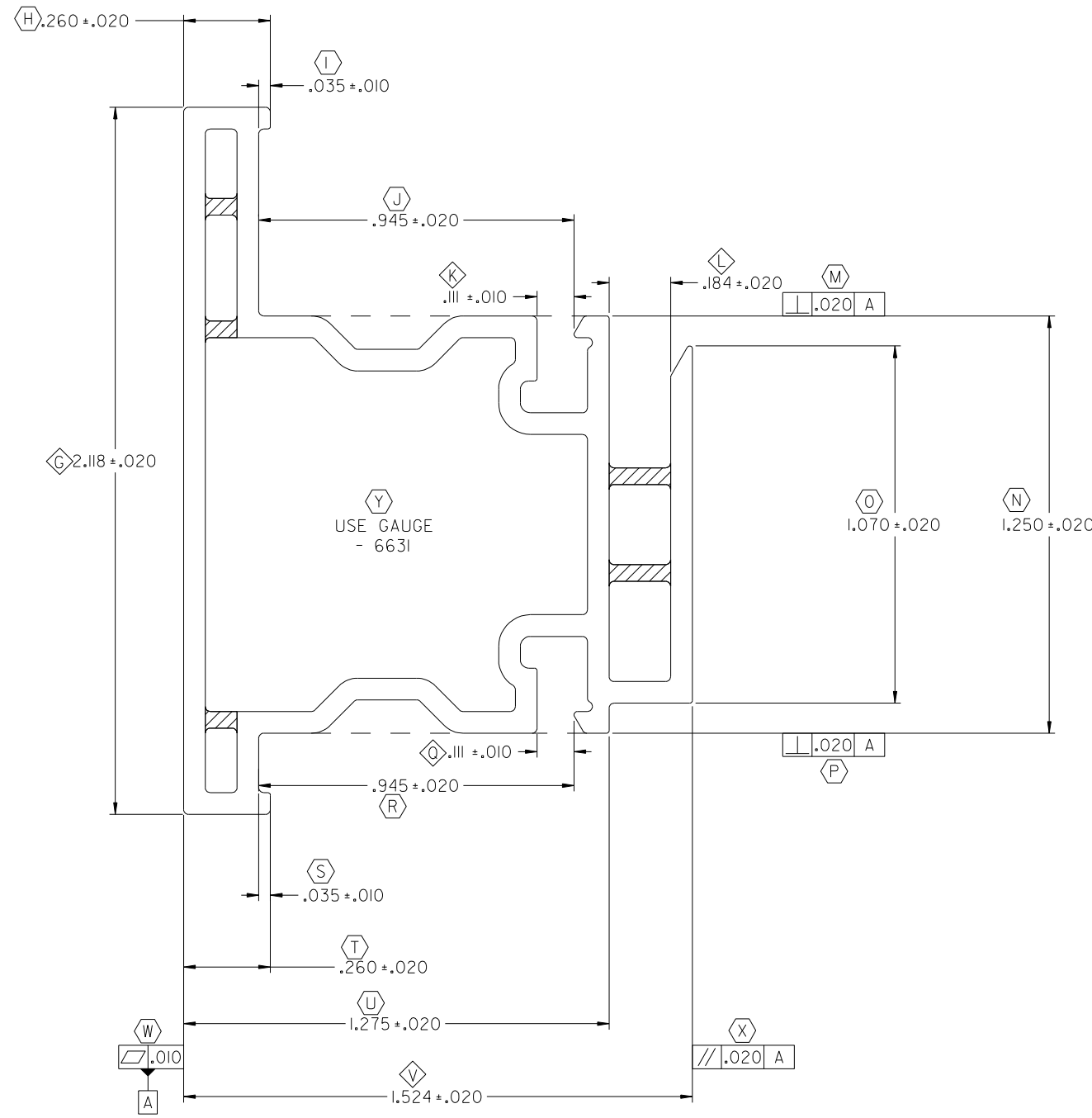
SCALE 1:1

Report #: **G6286-116-45**
 Date: **5/11/2017**
 Verified by: *[Signature]*

CAD MAINTAINED. CHANGES SHALL BE INCORPORATED BY THE DESIGN ACTIVITY.

REVISION HISTORY			
REV	DESCRIPTION	DATE	APPROVED
P	KPC	09/07/02	BWB

KEY PRODUCT CHARACTERISTICS	
G	FRAME DIMENSION 2.098 - 2.138
K	FRAME DIMENSION .101 - .121
L	FRAME DIMENSION .164 - .204
Q	FRAME DIMENSION .101 - .121
V	FRAME DIMENSION 1.504 - 1.544



- NOTES:
- 'STD00013' STRAIGHTNESS CLASS A AND LENGTH TOLERANCES APPLY (A)
 - INTERPRET ALL TOLERANCE APPLICATIONS PER STD0013 (B)
 - UNSPECIFIED EXTERNAL RADII = .XXX +.010 / -.005 (C)
 - UNSPECIFIED INTERNAL RADII = .XXX +.020 / -.005 (D)
 - UNSPECIFIED EXTERNAL WALL THICKNESS = .XXX +/- 10% (E)
 - UNSPECIFIED INTERNAL WALL THICKNESS = .XXX +/- 20% (F)

<p>CONFIDENTIAL</p> <p>UNPUBLISHED WORK © 2009 DECEUNINCK NORTH AMERICA</p> <p>THIS DOCUMENT CONTAINS PROPRIETARY AND CONFIDENTIAL INFORMATION. DO NOT COPY OR DISCLOSE THIS INFORMATION WITHOUT THE EXPRESS WRITTEN CONSENT OF DECEUNINCK NORTH AMERICA. DECEUNINCK NORTH AMERICA RESERVES THE RIGHT TO CHANGE THIS DRAWING AND ANY ASSOCIATED DOCUMENTS.</p>	<p>UNLESS OTHERWISE SPECIFIED DIM ARE IN INCHES</p> <p>TOL ON ANGLES ± 1°</p> <p>2 PL: ± 0.010" 3 PL: ± 0.005"</p> <p>INTERPRET DIM AND TOL PER ASME Y14.5M - 1994</p>	<p>DESIGN BY: MTC</p> <p>DATE: 93/08/20</p> <p>DRAWN BY: TJH</p> <p>DATE: 03/08/27</p> <p>AUTH: DATE:</p> <p>AUTH: DATE:</p> <p>AUTH: DATE:</p> <p>FILENAME: 89821</p>	<p>deceuninck </p> <p>NORTH AMERICA</p> <p>351 NORTH GARVER ROAD MONROE, OHIO 45050</p>
	<p>THIRD ANGLE PROJECTION</p> <p></p>	<p>NAME: EGRESS MEETING RAIL</p> <p>SIZE DWG. NO: B 10008511.SH</p> <p>SCALE: 2 : 1 (LBS/FT.) .380</p> <p>SHEET: 1 OF 1</p>	<p>REV. P</p>

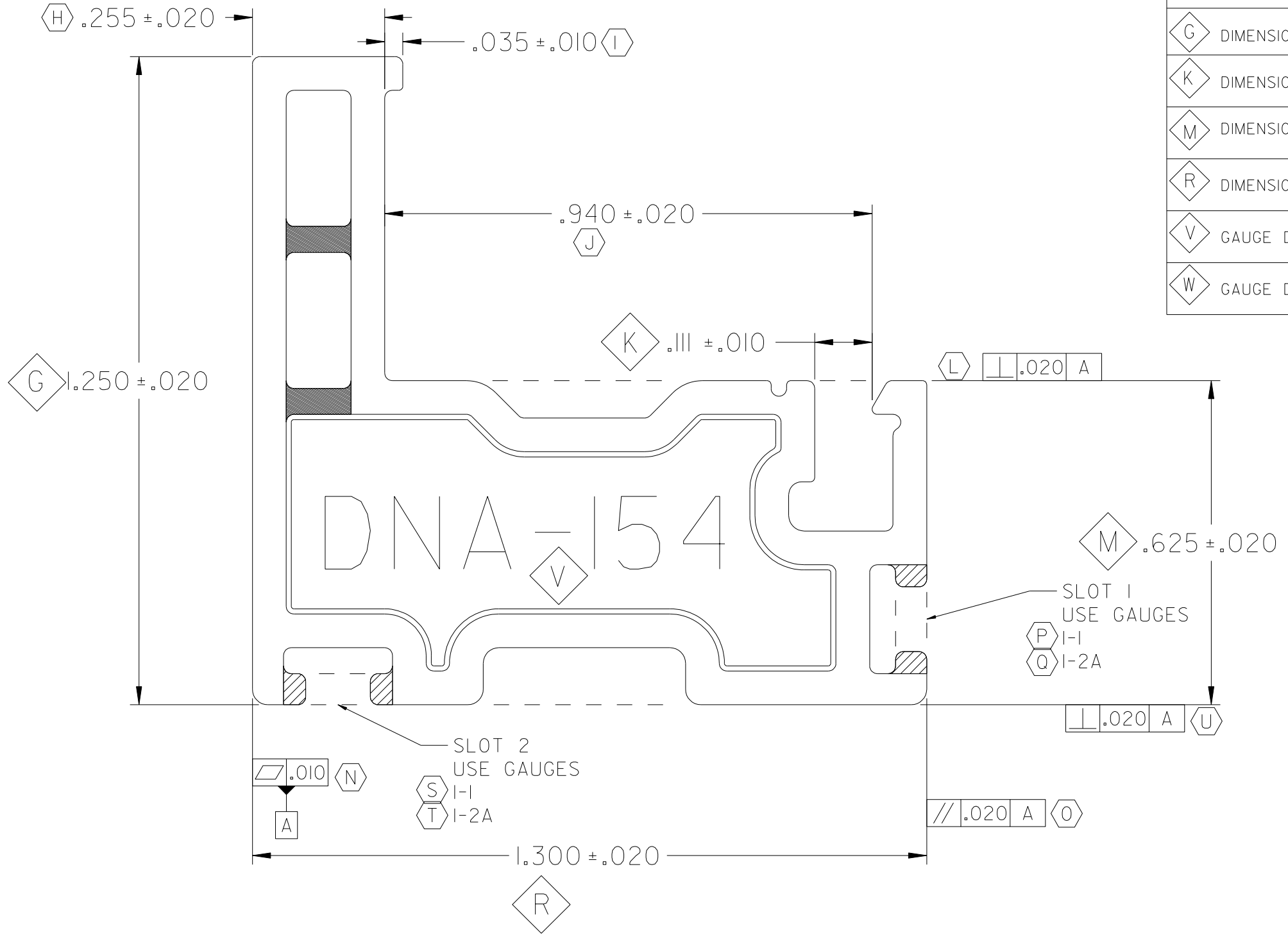
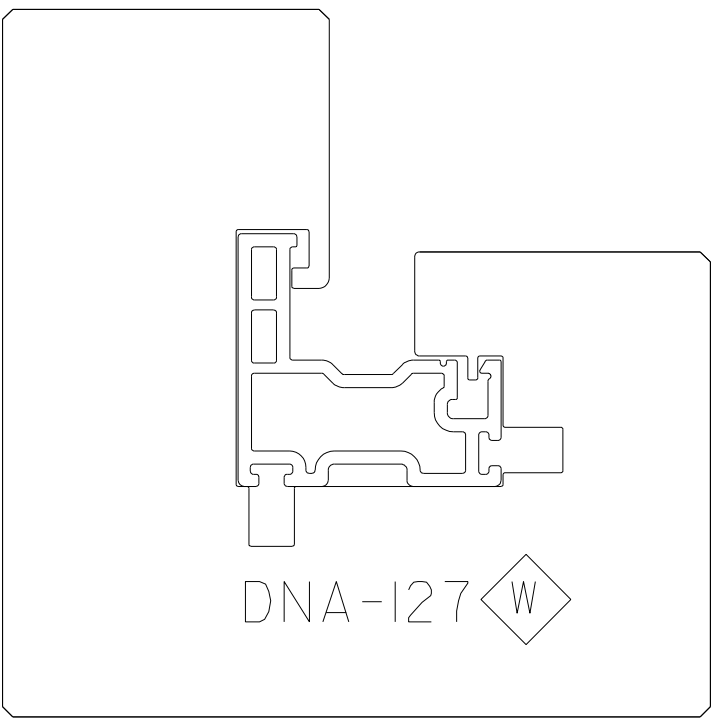
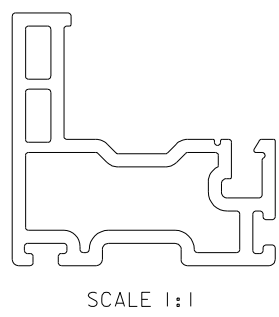
\$USERS\$ \$FILEL\$ \$PL0TDATE\$

CAD MAINTAINED. CHANGES SHALL BE INCORPORATED BY THE DESIGN ACTIVITY.

Report #: G6286-116-45
 Date: 5/11/2017
 Verified by: *[Signature]*

REVISION HISTORY			
REV	DESCRIPTION	DATE	APPROVED
T	CHANGED TO SINGLE DATUM	07/12/28	BWB
U	ADDED GAUGE	08/04/21	BWB
V	ADDED KPC DIMENSIONS	09/01/05	BWB

KEY PRODUCT CHARACTERISTICS	
G	DIMENSION 1.230 - 1.270
K	DIMENSION .101 - .121
M	DIMENSION .605 - .645
R	DIMENSION 1.280 - 1.320
V	GAUGE DNA-154
W	GAUGE DNA-127



WALL THICKNESS

.065 -	[White Box]
.060 -	[Hatched Box]
.050 -	[Dark Hatched Box]

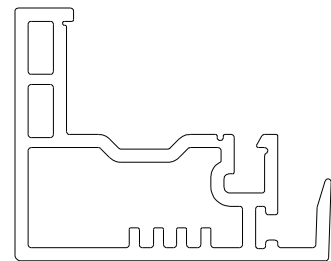
- NOTES:
- 'STD00013' STRAIGHTNESS CLASS C AND LENGTH TOLERANCES APPLY (A)
 - INTERPRET ALL TOLERANCE APPLICATIONS PER STD0013 (B)
 - UNSPECIFIED EXTERNAL RADII = .XXX +.010 / -.005 (C)
 - UNSPECIFIED INTERNAL RADII = .XXX +.020 / -.005 (D)
 - UNSPECIFIED EXTERNAL WALL THICKNESS = .XXX +/- 10% (E)
 - UNSPECIFIED INTERNAL WALL THICKNESS = .XXX +/- 20% (F)

CONFIDENTIAL UNPUBLISHED WORK © 2007 DECEUNINCK NORTH AMERICA	UNLESS OTHERWISE SPECIFIED DIM ARE IN INCHES TOL ON ANGLES ± 1° 2 PL: ± 0.010" 3 PL: ± 0.005" INTERPRET DIM AND TOL PER ASME Y14.5M - 1994	DESIGN BY: RH DATE: 94/02/10 DRAWN BY: CRB DATE: 94/02/10 AUTH: DATE: AUTH: DATE: AUTH: DATE: FILENAME: \$FILE NAME\$	 351 NORTH GARVER ROAD MONROE, OHIO 45050 NORTH AMERICA
	THIS DOCUMENT CONTAINS PROPRIETARY AND CONFIDENTIAL INFORMATION. DO NOT COPY OR DISCLOSE THIS INFORMATION WITHOUT THE EXPRESS WRITTEN CONSENT OF DECEUNINCK NORTH AMERICA. DECEUNINCK NORTH AMERICA RESERVES THE RIGHT TO CHANGE THIS DRAWING AND ANY ASSOCIATED DOCUMENTS.	THIRD ANGLE PROJECTION	

\$PLUTDATES\$

\$USERS\$

\$FILEL\$



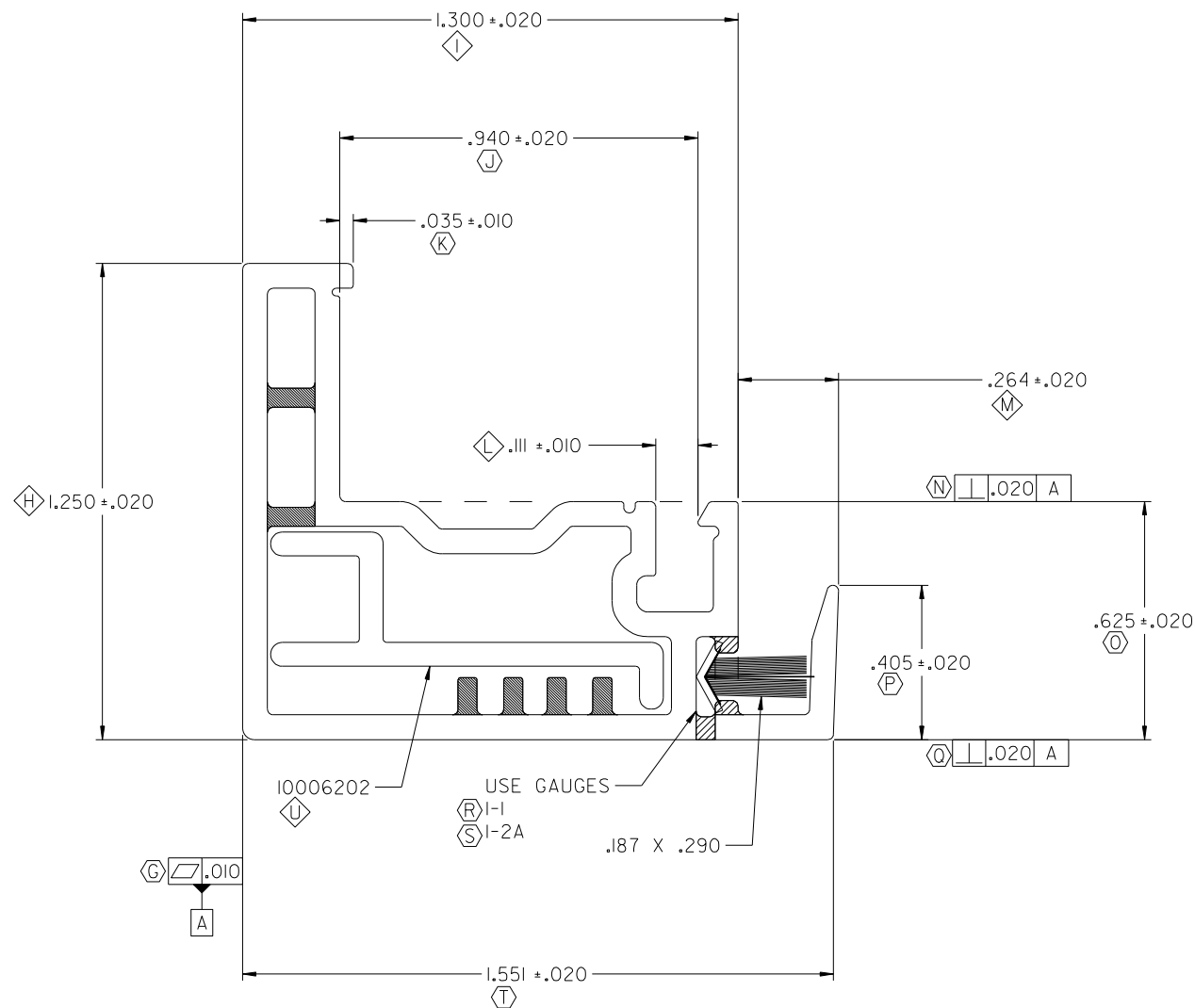
SCALE 1:1

Report #: **G6286-116-45**
 Date: **5/11/2017**
 Verified by: *[Signature]*

CAD MAINTAINED. CHANGES SHALL BE INCORPORATED BY THE DESIGN ACTIVITY.

REVISION HISTORY			
REV	DESCRIPTION	DATE	APPROVED
M	KPC	10/02/24	BWB

KEY PRODUCT CHARACTERISTICS	
\diamond H	DIMENSION 1.230 - 1.270
\diamond I	DIMENSION 1.280 - 1.320
\diamond L	DIMENSION .101 - .121
\diamond M	DIMENSION .244 - .284
\diamond U	INSERT 10006202



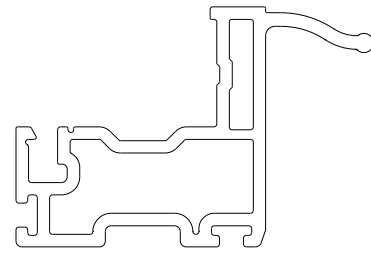
WALL THICKNESS

.065 -	
.060 -	
.050 -	

- NOTES:
- 'STD00013' STRAIGHTNESS CLASS C AND LENGTH TOLERANCES APPLY (A)
 - INTERPRET ALL TOLERANCE APPLICATIONS PER STD0013 (B)
 - UNSPECIFIED EXTERNAL RADII = .XXX +.010 / -.005 (C)
 - UNSPECIFIED INTERNAL RADII = .XXX +.020 / -.005 (D)
 - UNSPECIFIED EXTERNAL WALL THICKNESS = .XXX +/- 10% (E)
 - UNSPECIFIED INTERNAL WALL THICKNESS = .XXX +/- 20% (F)

<p>CONFIDENTIAL</p> <p>UNPUBLISHED WORK © 2010 DECEUNINCK NORTH AMERICA</p> <p>THIS DOCUMENT CONTAINS PROPRIETARY AND CONFIDENTIAL INFORMATION. DO NOT COPY OR DISCLOSE THIS INFORMATION WITHOUT THE EXPRESS WRITTEN CONSENT OF DECEUNINCK NORTH AMERICA. DECEUNINCK NORTH AMERICA RESERVES THE RIGHT TO CHANGE THIS DRAWING AND ANY ASSOCIATED DOCUMENTS.</p>	<p>UNLESS OTHERWISE SPECIFIED DIM ARE IN INCHES</p> <p>TOL ON ANGLES ± 1°</p> <p>2 PL: ± 0.010" 3 PL: ± 0.005"</p> <p>INTERPRET DIM AND TOL PER ASME Y14.5M - 1994</p>	<p>DESIGN BY: RH</p> <p>DATE: 94/02/08</p> <p>DRAWN BY: RH</p> <p>DATE: 94/02/08</p> <p>AUTH: DATE:</p> <p>AUTH: DATE:</p> <p>AUTH: DATE:</p> <p>FILENAME: \$FILE NAME\$</p>	<p>deceuninck </p> <p>NORTH AMERICA</p> <p>351 NORTH GARVER ROAD MONROE, OHIO 45050</p>
	<p>THIRD ANGLE PROJECTION</p> <p></p>	<p>NAME: LOCK RAIL - SH</p> <p>SIZE DWG. NO: B 10008895_SH</p> <p>SCALE: 2 : 1 (LBS/FT.) .260 SHEET: 1 OF 1</p>	

\$PLT/DATES \$USERS\$ \$FILEL\$



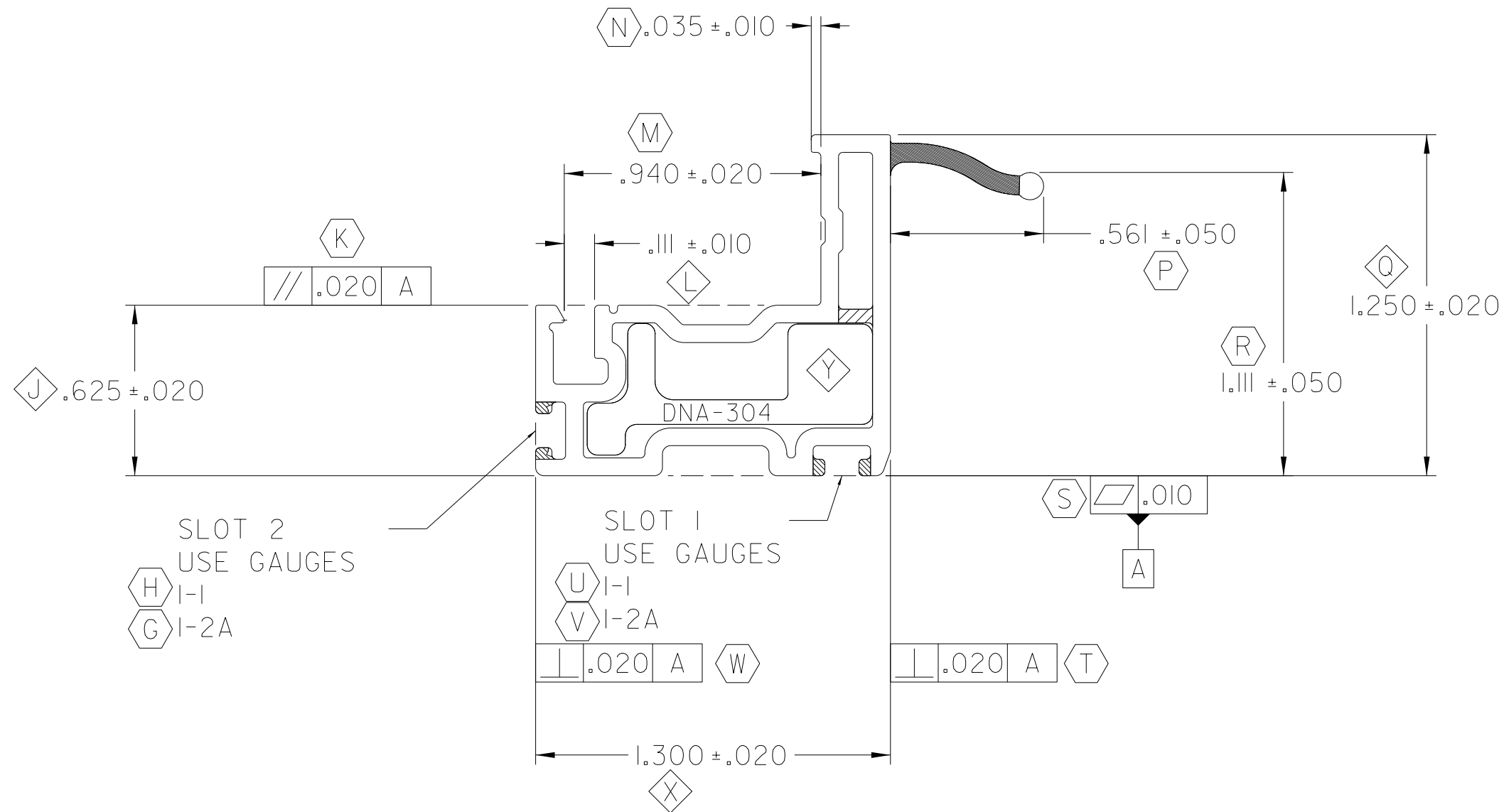
SCALE 1:1

Report #: G6286-116-45
 Date: 5/11/2017
 Verified by: [Signature]

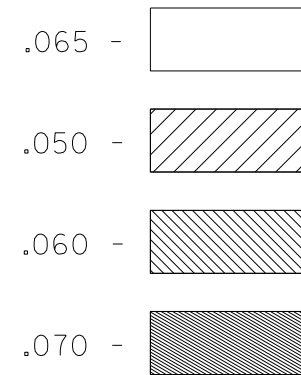
CAD MAINTAINED. CHANGES SHALL BE INCORPORATED BY THE DESIGN ACTIVITY.

REVISION HISTORY			
REV	DESCRIPTION	DATE	APPROVED
J	REMOVED GAUGE 6202	12/08/27	BWB

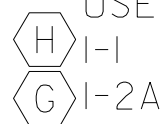
KEY PRODUCT CHARACTERISTICS	
\diamond J	DIMENSION .605 - .645
\diamond L	DIMENSION .101 - .121
\diamond Q	DIMENSION 1.230 - 1.270
\diamond X	DIMENSION 1.280 - 1.320
\diamond Y	GAUGE DNA-304



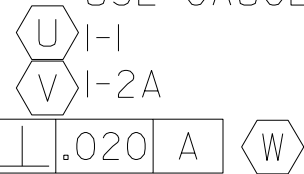
WALL THICKNESS



SLOT 2
USE GAUGES



SLOT 1
USE GAUGES



NOTES:

- 'STD00013' STRAIGHTNESS CLASS C AND LENGTH TOLERANCES APPLY \diamond A
- INTERPRET ALL TOLERANCE APPLICATIONS PER STD0013
- UNSPECIFIED EXTERNAL RADII = .XXX +.010 / -.005 \diamond C \diamond B
- UNSPECIFIED INTERNAL RADII = .XXX +.020 / -.005 \diamond D
- UNSPECIFIED EXTERNAL WALL THICKNESS = .XXX +/- 10% \diamond E \diamond F
- UNSPECIFIED INTERNAL WALL THICKNESS = .XXX +/- 20%

CONFIDENTIAL

UNPUBLISHED WORK © 2012
DECEUNINCK NORTH AMERICA

THIS DOCUMENT CONTAINS PROPRIETARY AND CONFIDENTIAL INFORMATION. DO NOT COPY OR DISCLOSE THIS INFORMATION WITHOUT THE EXPRESS WRITTEN CONSENT OF DECEUNINCK NORTH AMERICA. DECEUNINCK NORTH AMERICA RESERVES THE RIGHT TO CHANGE THIS DRAWING AND ANY ASSOCIATED DOCUMENTS.

UNLESS OTHERWISE SPECIFIED
DIM ARE IN INCHES
TOL ON ANGLES ± 1°
2 PL: ± 0.010* 3 PL: ± 0.005*
INTERPRET DIM AND TOL PER
ASME Y14.5M - 1994

THIRD ANGLE PROJECTION



DESIGN BY:	RH / PJA
DATE:	99/02/10
DRAWN BY:	RH / PJA
DATE:	99/02/10
AUTH:	DATE:
AUTH:	DATE:
AUTH:	DATE:
FILENAME:	126554



351 NORTH GARVER ROAD
MONROE, OHIO 45050

NAME:
PULL / LIFT SASH

SIZE	DWG. NO:	REV.
B	10008894_SH	J
SCALE:	2:1 (LBS/FT.)	SHEET:
	.267	1 OF 1

8/24/2012
usbwb
\\monsr01\deceun\DATA\DGN\130148.DGN

REVISION HISTORY			
REV	DESCRIPTION	DATE	APPROVED
A	DIM 'T' WAS .010	15/11/12	SMW

\$PLTDATE\$

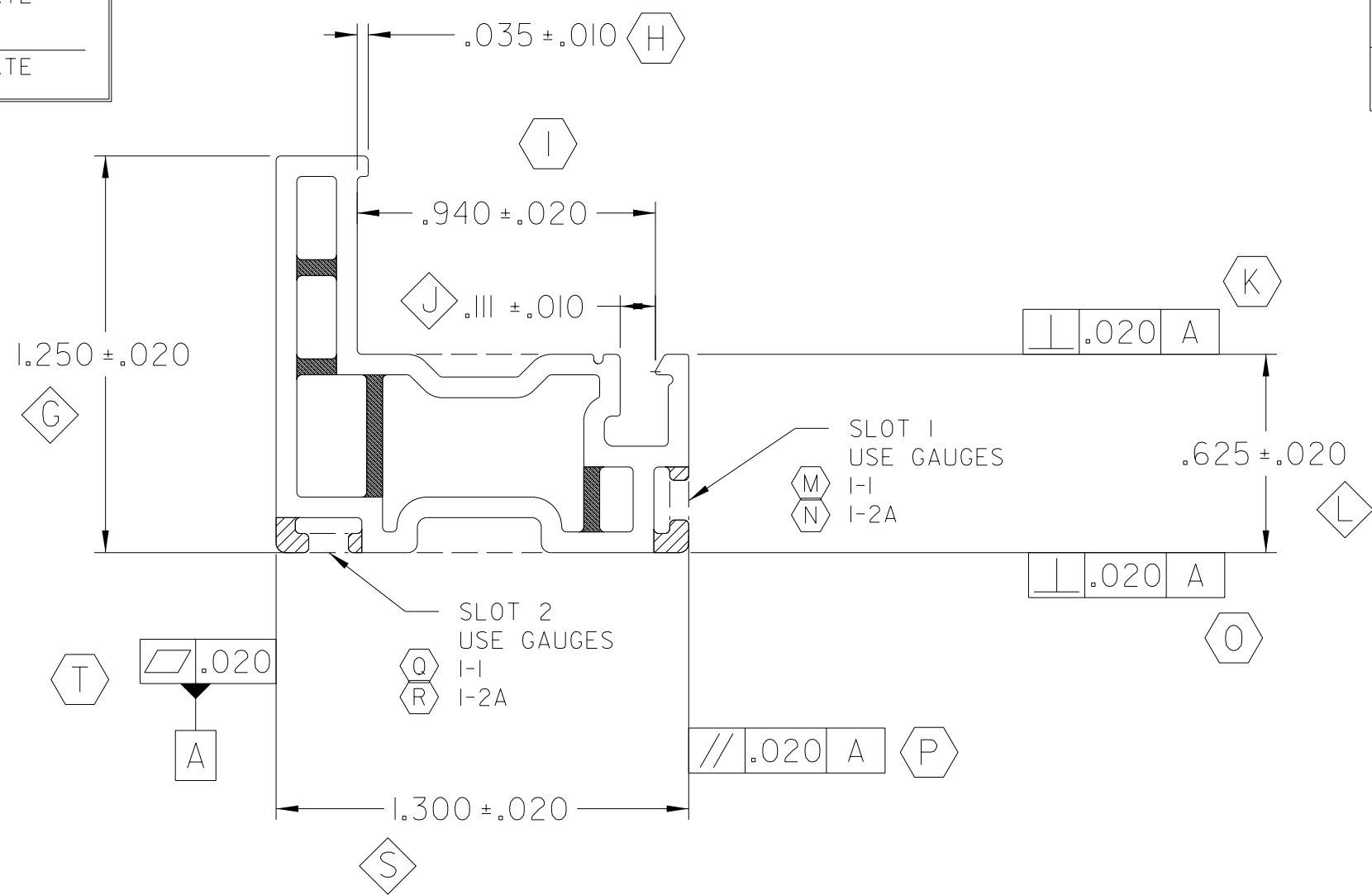
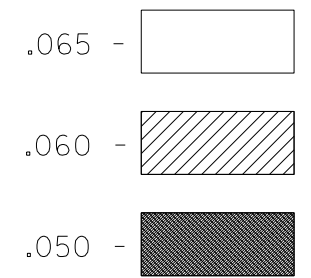
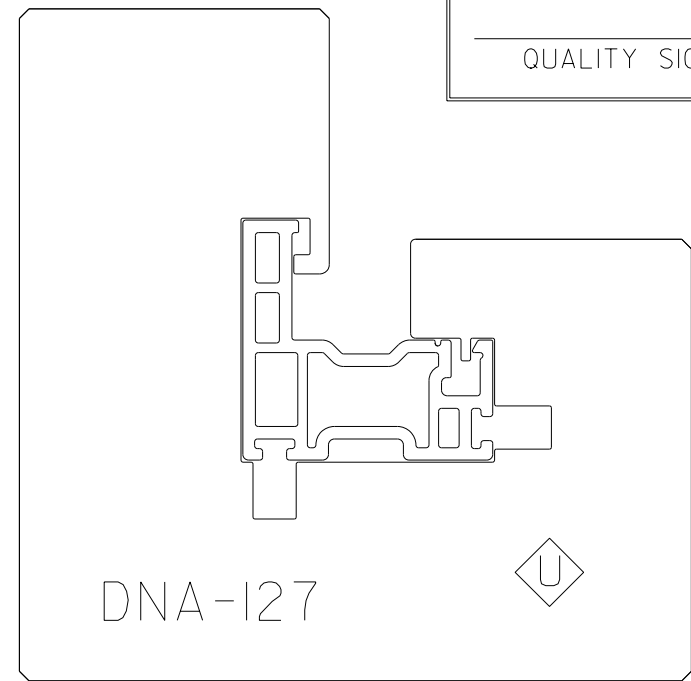
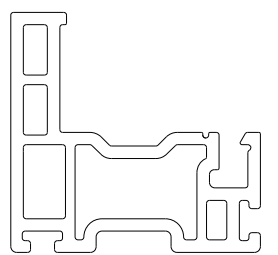
KEY PRODUCT CHARACTERISTICS	
G	DIMENSION 1.230 - 1.270
J	DIMENSION .101 - .121
L	DIMENSION .605 - .645
S	DIMENSION 1.280 - 1.320
U	GAUGE DNA-127

CAD MAINTAINED. CHANGES SHALL BE INCORPORATED BY THE DESIGN ACTIVITY.


 Report #: G6286-116-45
 Date: 5/11/2017
 Verified by: 

APPROVAL PRINT



PRODUCT ENG. SIGNATURE _____	DATE _____
TOOLING SIGNATURE _____	DATE _____
PRODUCTION SIGNATURE _____	DATE _____
QUALITY SIGNATURE _____	DATE _____



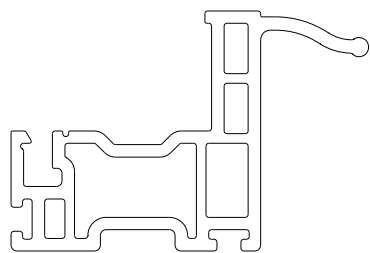
\$USER\$

NOTES:

1. 'STD00013' STRAIGHTNESS CLASS C AND LENGTH TOLERANCES APPLY ◇ A
2. INTERPRET ALL TOLERANCE APPLICATIONS PER STD0013 ◇ B
3. UNSPECIFIED EXTERNAL RADII = .XXX +.010 / -.005 ◇ C
4. UNSPECIFIED INTERNAL RADII = .XXX +.020 / -.005 ◇ D
5. UNSPECIFIED EXTERNAL WALL THICKNESS = .XXX +/- 10% ◇ E
6. UNSPECIFIED INTERNAL WALL THICKNESS = .XXX +/- 20% ◇ F

CONFIDENTIAL UNPUBLISHED WORK © 2015 DECEUNINCK NORTH AMERICA <small>THIS DOCUMENT CONTAINS PROPRIETARY AND CONFIDENTIAL INFORMATION. DO NOT COPY OR DISCLOSE THIS INFORMATION WITHOUT THE EXPRESS WRITTEN CONSENT OF DECEUNINCK NORTH AMERICA. DECEUNINCK NORTH AMERICA RESERVES THE RIGHT TO CHANGE THIS DRAWING AND ANY ASSOCIATED DOCUMENTS.</small>	UNLESS OTHERWISE SPECIFIED DIM ARE IN INCHES TOL ON ANGLES ± 1° 2 PL: ± 0.010" 3 PL: ± 0.005" INTERPRET DIM AND TOL PER ASME Y14.5M - 1994	DESIGN BY: SMW DATE: 15/03/20 DRAWN BY: SMW DATE: 15/11/12 AUTH: DATE: AUTH: DATE: AUTH: DATE: FILENAME: 172277			deceuninck Deceuninck North America 351 N. Garver Road Monroe, OH 45050
	THIRD ANGLE PROJECTION			NAME: MAIN SASH	
			SIZE DWG. NO: B 10008865_SH SCALE: 4 : 1 (LBS/FT.) .265 SHEET: 1 OF 1	REV. A	

\$FILE\$



SCALE 1:1

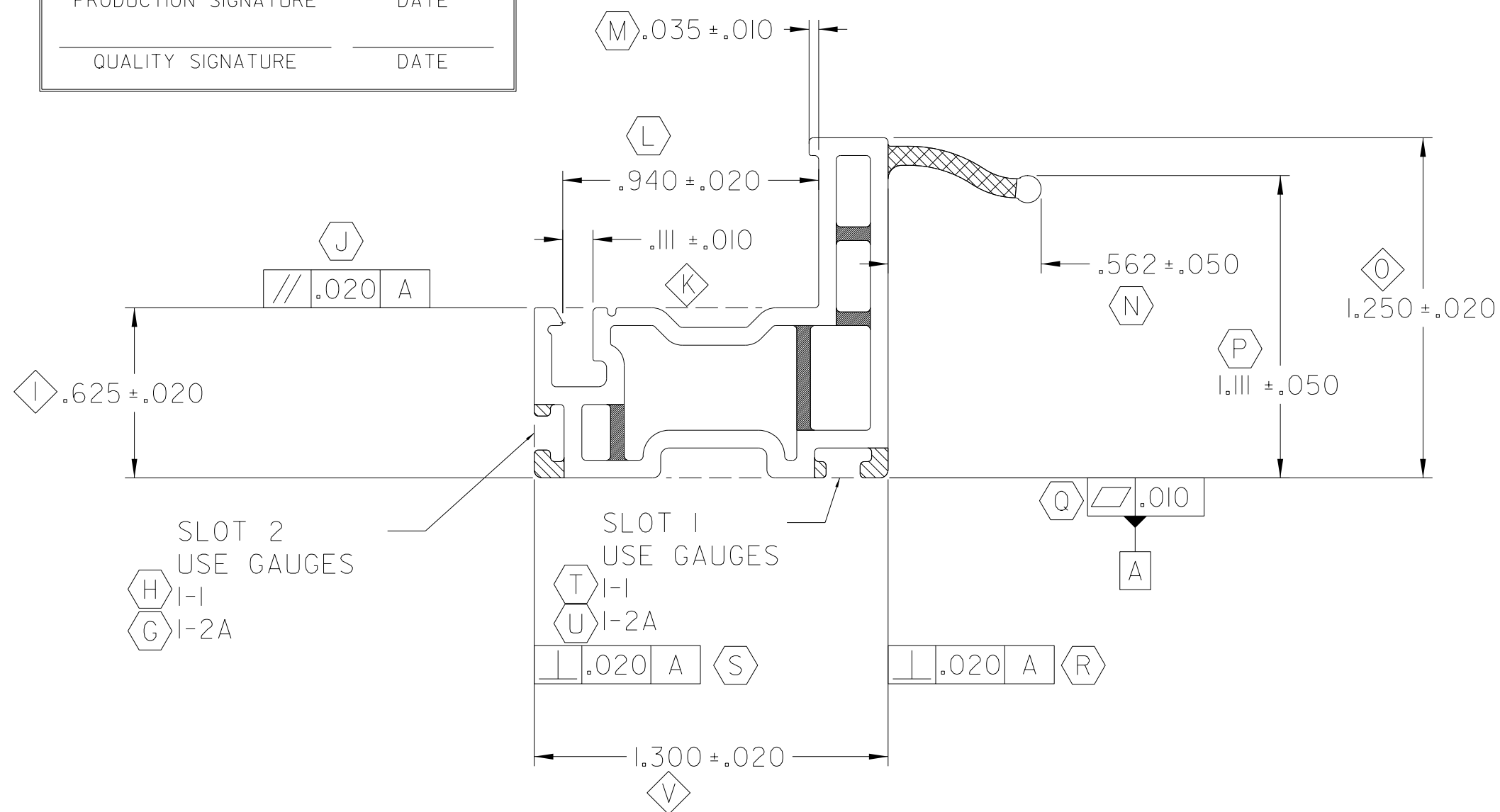
APPROVAL PRINT

PRODUCT ENG. SIGNATURE	DATE
TOOLING SIGNATURE	DATE
PRODUCTION SIGNATURE	DATE
QUALITY SIGNATURE	DATE

CAD MAINTAINED. CHANGES SHALL BE INCORPORATED BY THE DESIGN ACTIVITY.

Report #: **G6286-116-45**
 Date: **5/11/2017**
 Verified by: *[Signature]*

REVISION HISTORY			
REV	DESCRIPTION	DATE	APPROVED
KEY PRODUCT CHARACTERISTICS			
I	DIMENSION .605 - .645		
K	DIMENSION .101 - .121		
O	DIMENSION 1.230 - 1.270		
V	DIMENSION 1.280 - 1.320		



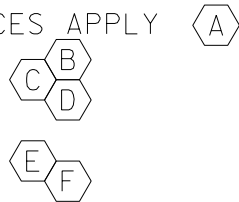
WALL THICKNESS

.065 -	[White Box]
.050 -	[Dark Grey Box]
.060 -	[Diagonal Lines Box]
.070 -	[Cross-hatch Box]

SLOT 2 USE GAUGES
 H I-I
 G I-2A

SLOT 1 USE GAUGES
 T I-I
 U I-2A
 L .020 A S
 R

- NOTES:
- 'STD00013' STRAIGHTNESS CLASS C AND LENGTH TOLERANCES APPLY
 - INTERPRET ALL TOLERANCE APPLICATIONS PER STD0013
 - UNSPECIFIED EXTERNAL RADII = .XXX +.010 / -.005
 - UNSPECIFIED INTERNAL RADII = .XXX +.020 / -.005
 - UNSPECIFIED EXTERNAL WALL THICKNESS = .XXX +/- 10%
 - UNSPECIFIED INTERNAL WALL THICKNESS = .XXX +/- 20%



CONFIDENTIAL UNPUBLISHED WORK © 2015 DECEUNINCK NORTH AMERICA	DESIGN BY: SMW	deceuninck NORTH AMERICA 351 NORTH GARVER ROAD MONROE, OHIO 45050
	DATE: 15/03/20	
THIS DOCUMENT CONTAINS PROPRIETARY AND CONFIDENTIAL INFORMATION. DO NOT COPY OR DISCLOSE THIS INFORMATION WITHOUT THE EXPRESS WRITTEN CONSENT OF DECEUNINCK NORTH AMERICA. DECEUNINCK NORTH AMERICA RESERVES THE RIGHT TO CHANGE THIS DRAWING AND ANY ASSOCIATED DOCUMENTS.	DRAWN BY: SMW	NAME: PULL / LIFT SASH
	DATE: 15/03/20	
THIRD ANGLE PROJECTION	AUTH: DATE:	SIZE DWG. NO: 10008866_SH
	AUTH: DATE:	SCALE: 2:1 (LBS/FT.) .292
	FILENAME: 163332	SHEET: 1 OF 1

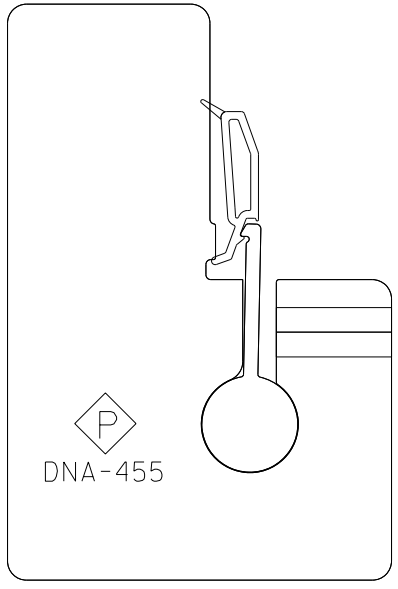
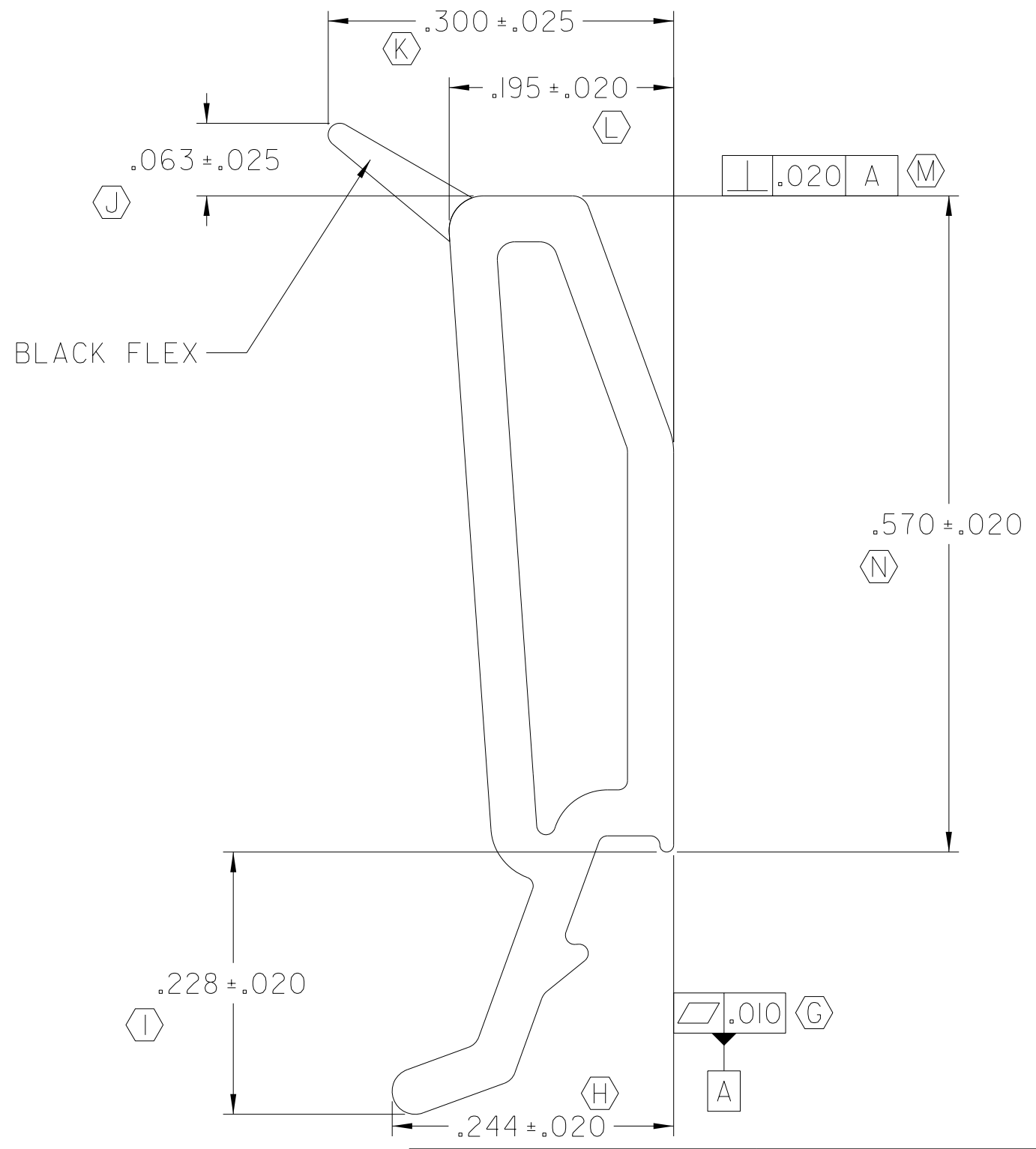
\$USERS\$ FILEL\$

CAD MAINTAINED. CHANGES SHALL BE INCORPORATED BY THE DESIGN ACTIVITY.

REVISION HISTORY			
REV	DESCRIPTION	DATE	APPROVED
A	ADDED GAUGE DNA-455 ADDED ID MARKS	15/6/10	SMW
B	UPDATED DNA-455 GAUGE	15/7/27	SMW



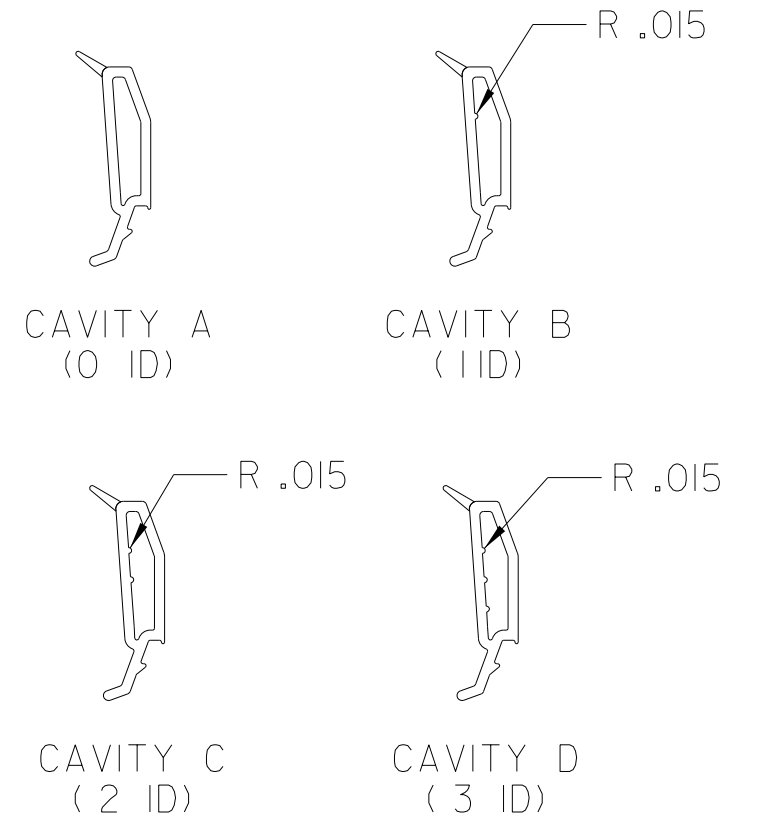
SCALE 1:1



PART MUST SNAP IN AND NOT SLIDE IN GAUGE

WALL THICKNESS

.040 -



USE MYLAR 10008134_OP

NOTES:

- 'STD00013' STRAIGHTNESS CLASS E AND LENGTH TOLERANCES APPLY (A)
- INTERPRET ALL TOLERANCE APPLICATIONS PER STD0013 (B)
- UNSPECIFIED EXTERNAL RADII = .XXX +.010 / -.005 (C)
- UNSPECIFIED INTERNAL RADII = .XXX +.020 / -.005 (D)
- UNSPECIFIED EXTERNAL WALL THICKNESS = .XXX +/- 10% (E)
- UNSPECIFIED INTERNAL WALL THICKNESS = .XXX +/- 20% (F)

<p>CONFIDENTIAL</p> <p>UNPUBLISHED WORK © 2015 DECEUNINCK NORTH AMERICA</p> <p>THIS DOCUMENT CONTAINS PROPRIETARY AND CONFIDENTIAL INFORMATION. DO NOT COPY OR DISCLOSE THIS INFORMATION WITHOUT THE EXPRESS WRITTEN CONSENT OF DECEUNINCK NORTH AMERICA. DECEUNINCK NORTH AMERICA RESERVES THE RIGHT TO CHANGE THIS DRAWING AND ANY ASSOCIATED DOCUMENTS.</p>	<p>UNLESS OTHERWISE SPECIFIED DIM ARE IN INCHES TOL ON ANGLES ± 1° 2 PL: ± 0.010" 3 PL: ± 0.005" INTERPRET DIM AND TOL PER ASME Y14.5M - 1994</p>	<p>DESIGN BY: SMW DATE: 15/3/30 DRAWN BY: SMW DATE: 15/7/27 AUTH: DATE: AUTH: DATE: AUTH: DATE: FILENAME: 168742</p>	<p>deceuninck Deceuninck North America 351 N. Garver Road Monroe, OH 45050</p>
	<p>THIRD ANGLE PROJECTION</p>	<p>NAME: GLAZING BEAD</p> <p>SIZE DWG. NO: 10008134_SH REV. B</p> <p>SCALE: 8:1 (LBS/FT.) .0421 SHEET: 1 OF 1</p>	

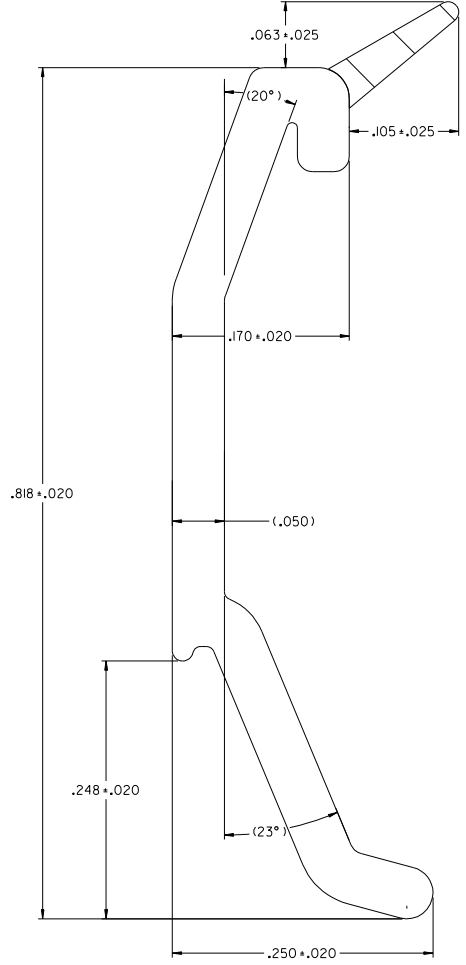
\$PLOTDATE\$ \$USER\$ \$FILE\$



Report #: G6286-116-45
 Date: 5/11/2017
 Verified by: [Signature]

CAD MAINTAINED. CHANGES SHALL BE INCORPORATED BY THE DESIGN ACTIVITY.

REVISION HISTORY			
REV	DESCRIPTION	DATE	APPROVED
C	CHANGE TO SINGLE SHEET FORMAT	05/08/25	JGM
D	GDT-3	06/07/31	BWB



- NOTES:
- 'STD00013' STRAIGHTNESS CLASS E AND LENGTH TOLERANCES APPLY
 - INTERPRET ALL TOLERANCE APPLICATIONS PER STD0013
 - UNSPECIFIED EXTERNAL RADII = .XXX +.010 / -.005
 - UNSPECIFIED INTERNAL RADII = .XXX +.020 / -.005
 - UNSPECIFIED EXTERNAL WALL THICKNESS = .XXX +/- 10%
 - UNSPECIFIED INTERNAL WALL THICKNESS = .XXX +/- 20%

CONFIDENTIAL
 UNPUBLISHED WORK © 2008
 DECEUNINCK NORTH AMERICA

THIS DOCUMENT CONTAINS PROPRIETARY AND CONFIDENTIAL INFORMATION. DO NOT COPY OR DISCLOSE THIS INFORMATION WITHOUT THE EXPRESS WRITTEN CONSENT OF DECEUNINCK NORTH AMERICA. DECEUNINCK NORTH AMERICA RESERVES THE RIGHT TO CHANGE THIS DRAWING AND ANY ASSOCIATED DOCUMENTS.

UNLESS OTHERWISE SPECIFIED
 DIM ARE IN INCHES
 TOL ON ANGLES = 1°
 2 PL: ± 0.010° 3 PL: ± 0.005°
 INTERPRET DIM AND TOL PER
 ASME Y14.5M - 1994

THIRD ANGLE PROJECTION



DESIGN BY:	PJA
DATE:	99/06/25
DRAWN BY:	PJA
DATE:	99/06/25
AUTH:	DATE:
AUTH:	DATE:
AUTH:	DATE:
FILENAME:	\$FILE NAME\$



NAME: **GLAZING BEAD**

SIZE DWG. NO:	10005473.SH	REV. D
SCALE: 8 : 1 (LBS/FT.)	.034	SHEET: 1 OF 1

\$PLOT/DATES\$
\$USERS\$
\$FILE\$

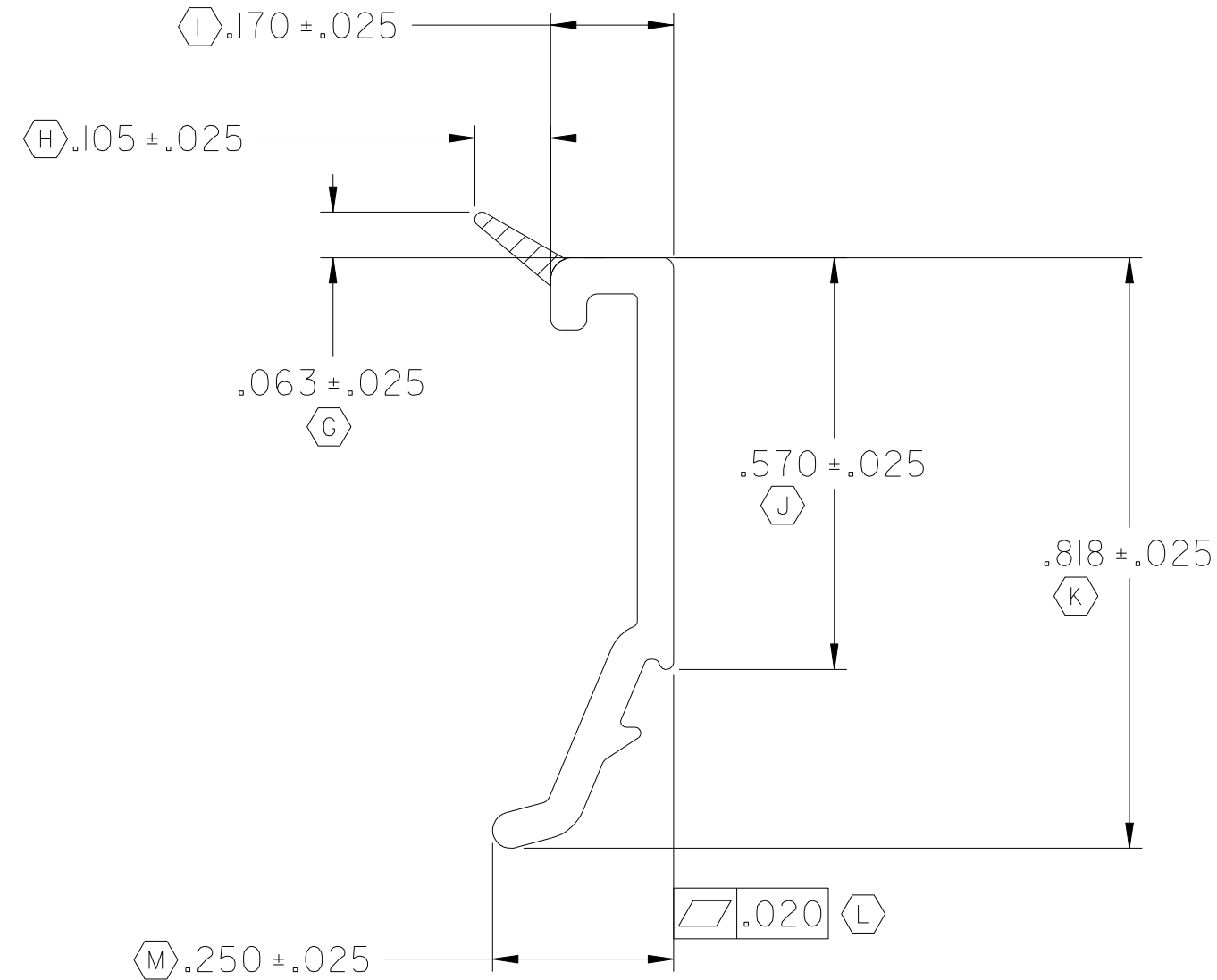


SCALE 1:1

Report #: **G6286-116-45**
 Date: **5/11/2017**
 Verified by: *[Signature]*

CAD MAINTAINED. CHANGES SHALL BE INCORPORATED BY THE DESIGN ACTIVITY.

REVISION HISTORY			
REV	DESCRIPTION	DATE	APPROVED
R	GD&T 3 UPDATE	08/04/16	KED



WALL THICKNESS

.050 -

NOTES:

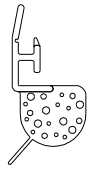
- 'STD00013' STRAIGHTNESS CLASS E AND LENGTH TOLERANCES APPLY A
- INTERPRET ALL TOLERANCE APPLICATIONS PER STD0013 B
- UNSPECIFIED EXTERNAL RADII = $.XXX \ +.010 \ / \ -.005$ C
- UNSPECIFIED INTERNAL RADII = $.XXX \ +.020 \ / \ -.005$ D
- UNSPECIFIED EXTERNAL WALL THICKNESS = $.XXX \ +/- \ 10\%$ E
- UNSPECIFIED INTERNAL WALL THICKNESS = $.XXX \ +/- \ 20\%$ F

CONFIDENTIAL UNPUBLISHED WORK © 2008 DECEUNINCK NORTH AMERICA	UNLESS OTHERWISE SPECIFIED DIM ARE IN INCHES TOL ON ANGLES $\pm 1^\circ$ 2 PL: $\pm 0.010"$ 3 PL: $\pm 0.005"$ INTERPRET DIM AND TOL PER ASME Y14.5M - 1994	DESIGN BY: ASD,PGM DATE: 90/10/19 DRAWN BY: CRB DATE: 02/11/22 AUTH: DATE: AUTH: DATE: AUTH: DATE: FILENAME: 69488	deceuninck NORTH AMERICA 351 NORTH GARVER ROAD MONROE, OHIO 45050
	THIS DOCUMENT CONTAINS PROPRIETARY AND CONFIDENTIAL INFORMATION. DO NOT COPY OR DISCLOSE THIS INFORMATION WITHOUT THE EXPRESS WRITTEN CONSENT OF DECEUNINCK NORTH AMERICA. DECEUNINCK NORTH AMERICA RESERVES THE RIGHT TO CHANGE THIS DRAWING AND ANY ASSOCIATED DOCUMENTS.	THIRD ANGLE PROJECTION	

\$PL0T\$

\$USERS\$

\$FILEL\$

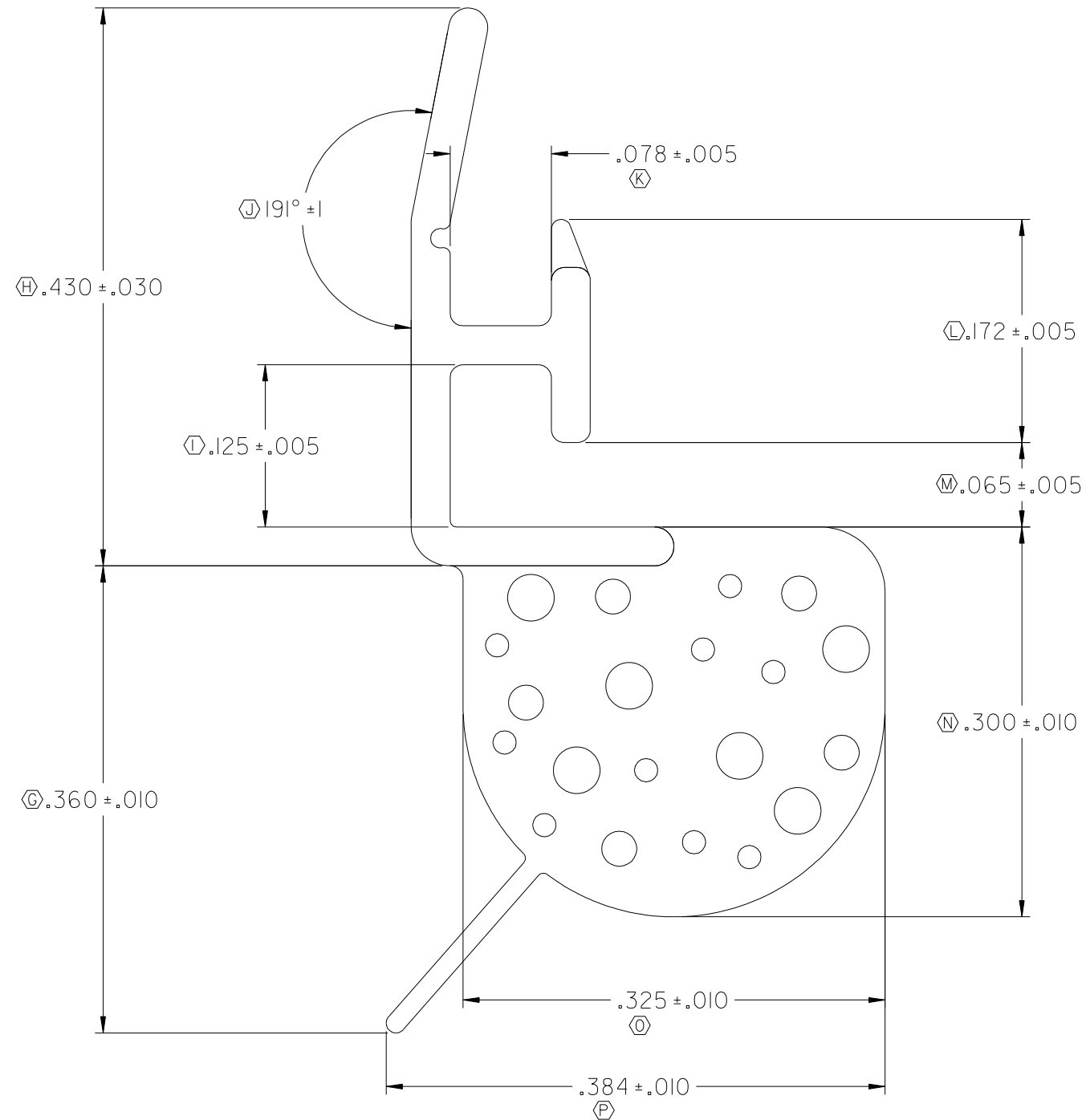


Report #: **G6286-116-45**
 Date: **5/11/2017**
 Verified by: *[Signature]*

CAD MAINTAINED. CHANGES SHALL BE INCORPORATED BY THE DESIGN ACTIVITY.

REVISION HISTORY			
REV	DESCRIPTION	DATE	APPROVED
H	GDT-3 FORMAT	07/12/21	MTC
J	REMOVED .015 FROM DIM L	09/09/08	BWB

SCALE = 1:1



NOTES:

- 'STD00013' STRAIGHTNESS CLASS E AND LENGTH TOLERANCES APPLY (A)
- INTERPRET ALL TOLERANCE APPLICATIONS PER STD0013 (B)
- UNSPECIFIED EXTERNAL RADII = .XXX +.010 / -.005 (C)
- UNSPECIFIED INTERNAL RADII = .XXX +.020 / -.005 (D)
- UNSPECIFIED EXTERNAL WALL THICKNESS = .XXX +/- 10% (E)
- UNSPECIFIED INTERNAL WALL THICKNESS = .XXX +/- 20% (F)

CONFIDENTIAL UNPUBLISHED WORK © 2007 DECEUNINCK NORTH AMERICA	UNLESS OTHERWISE SPECIFIED DIM ARE IN INCHES TOL ON ANGLES $\pm 1^\circ$ 2 PL: ± 0.010 " 3 PL: ± 0.005 " INTERPRET DIM AND TOL PER ASME Y14.5M - 1994	DESIGN BY: JLL DATE: 97/06/12 DRAWN BY: JLL DATE: 97/06/12 AUTH: DATE: AUTH: DATE: AUTH: DATE: FILENAME: \$FILE NAME\$	 351 NORTH GARVER ROAD MONROE, OHIO 45050 NORTH AMERICA
	THIS DOCUMENT CONTAINS PROPRIETARY AND CONFIDENTIAL INFORMATION. DO NOT COPY OR DISCLOSE THIS INFORMATION WITHOUT THE EXPRESS WRITTEN CONSENT OF DECEUNINCK NORTH AMERICA. DECEUNINCK NORTH AMERICA RESERVES THE RIGHT TO CHANGE THIS DRAWING AND ANY ASSOCIATED DOCUMENTS.	THIRD ANGLE PROJECTION	

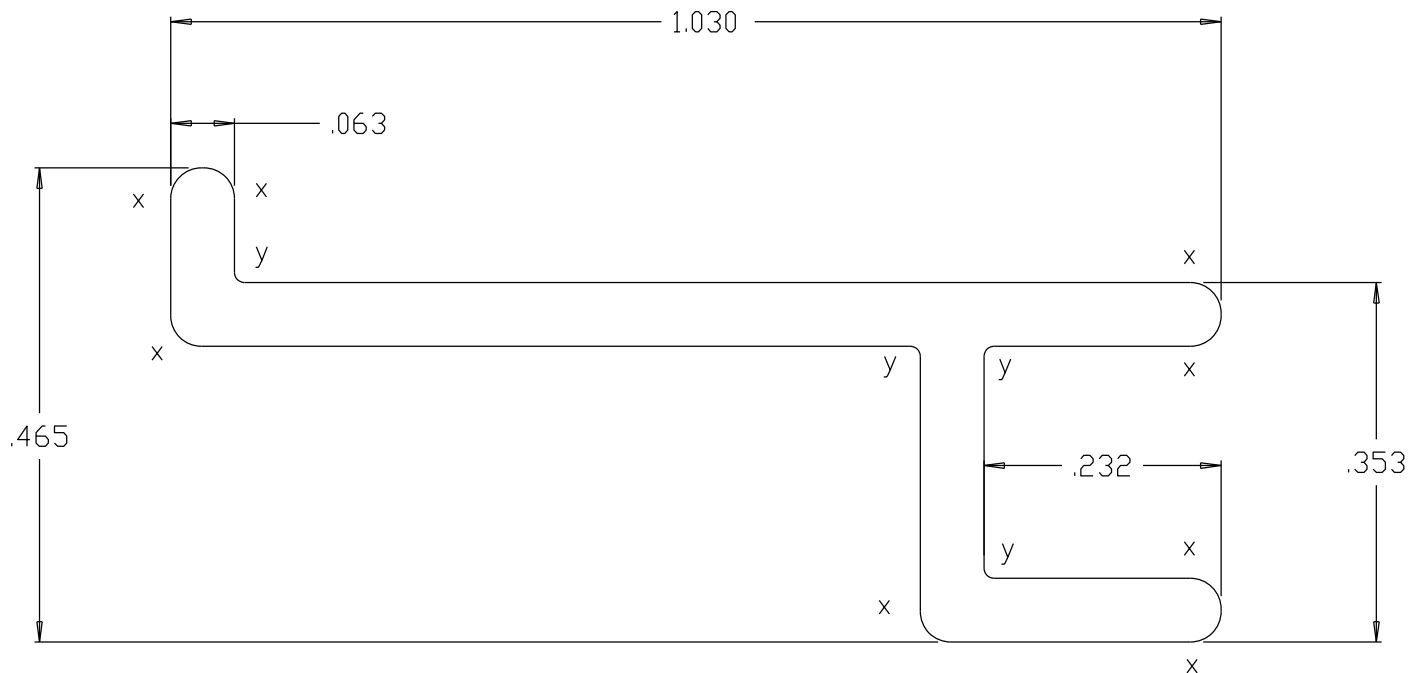
\$PLOT DATES

\$USERS

\$FILE L\$



Report #: G6286-116-45
 Date: 5/11/2017
 Verified by: *[Signature]*



DAYTON EXTRUDED PLASTICS
 SPRINGBORO, OHIO Copyright 1994

NAME: 0093 SASH REINFORCEMENT

MATERIAL(S): ALUMINUM

DRAWN BY: DAS DATE: 3/22/94

CHECKED BY: DATE:

SCALE: 5 : 1 "A" PART DWG. NO: A6202

CUST. PART NO: 6202 DIE NO: 6202

Area :	.103 Sq. In.
Weight :	.123 Lb./Ft.

Standard Commercial Tolerances
 Apply Unless Otherwise Noted

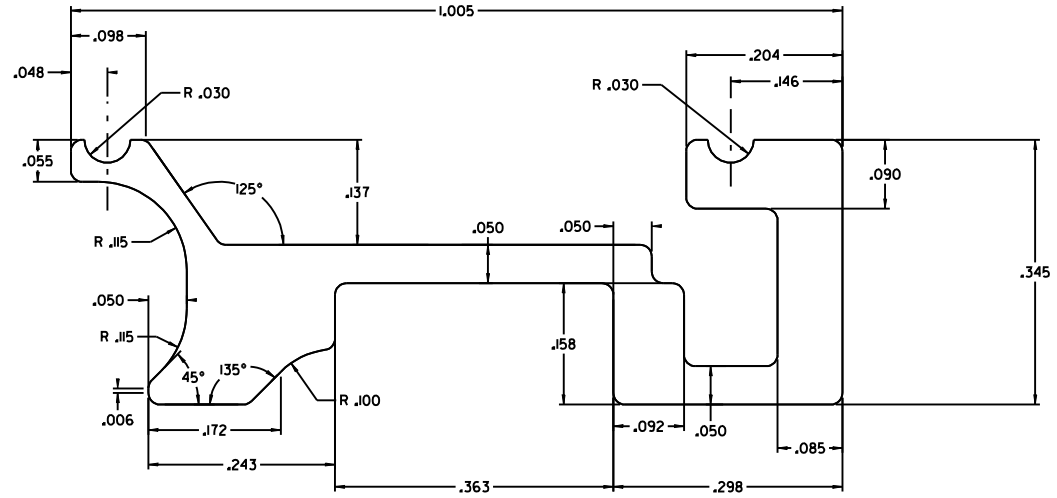
Notes:

- 1) "x" = .030" radius
- 2) "y" = .010" radius

CAD MAINTAINED, CHANGES SHALL BE INCORPORATED BY THE DESIGN ACTIVITY.



Report #: G6286-116-45
 Date: 5/11/2017
 Verified by: *[Signature]*



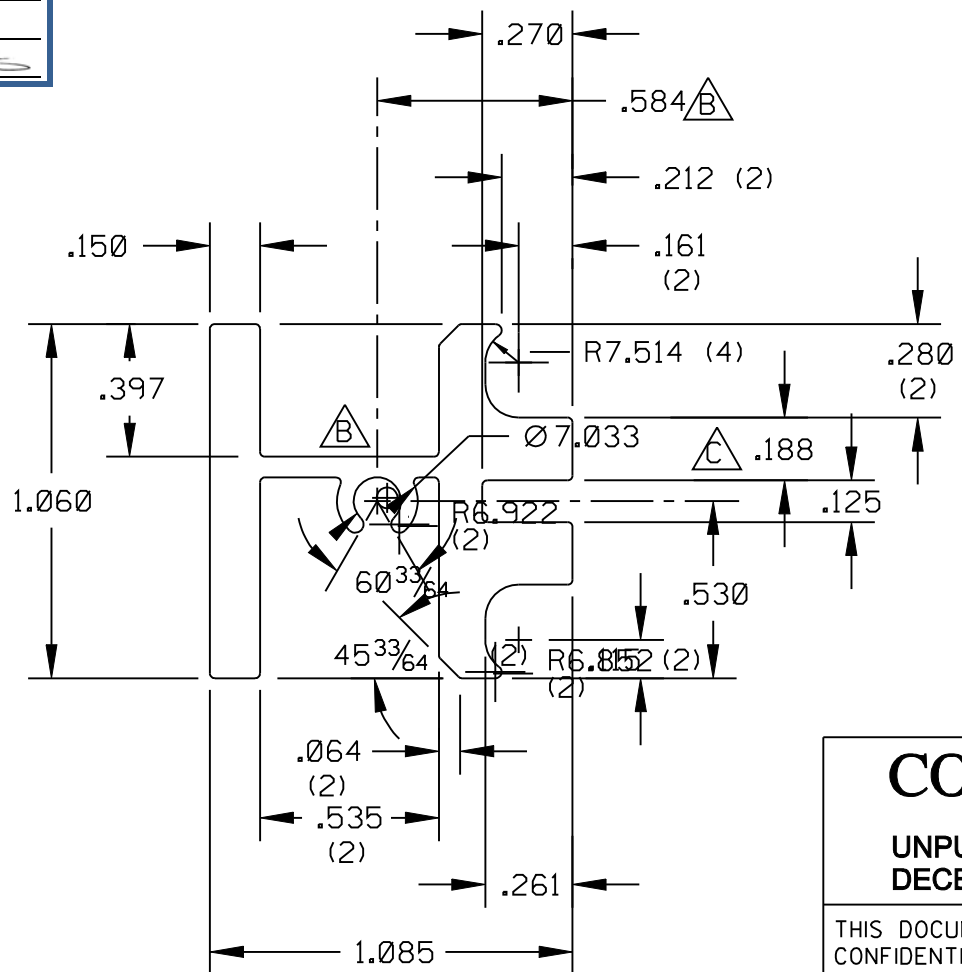
ALL UNSPECIFIED RADII EQUALS .015

6005-T5

<p>CONFIDENTIAL</p> <p>UNPUBLISHED WORK © DECEUNINCK NORTH AMERICA</p> <p>THIS DOCUMENT CONTAINS PROPRIETARY AND CONFIDENTIAL INFORMATION. DO NOT COPY OR DISCLOSE THIS INFORMATION WITHOUT THE EXPRESS WRITTEN CONSENT OF DECEUNINCK NORTH AMERICA. DECEUNINCK NORTH AMERICA RESERVES THE RIGHT TO CHANGE THIS DRAWING AND ANY ASSOCIATED DOCUMENTS.</p>	<p>UNLESS OTHERWISE SPECIFIED DIM ARE IN INCHES TOL ON ANGLES ± 1° 2 PL ± 0.010 3 PL ± 0.005* INTERPRET DIM AND TOL PER ASME Y14.5M - 1994</p>	<p>DESIGN BY: RJK DATE: 05/04/21 DRAWN BY: JGM DATE: 06/08/24 AUTH: DATE: AUTH: DATE: FILENAME: 10300082.dgn</p>	<p>deceuninck NORTH AMERICA 381 NORTH CLEVELAND AVENUE MONROE, OHIO 43055</p>
	<p>THIRD ANGLE PROJECTION</p>	<p>NAME: SASH REINFORCEMENT</p> <p>SIZE DWG. NO: 10300082 SCALE: 8:1 (LBS./FT.) LBS./FT. SHEET: 1 OF 1</p>	<p>REV. NEW</p>

1/9/2007 usjgm H:\pjd\msj8\ALUMINUM\10300082.dgn

Report #: G6286-116-45
 Date: 5/11/2017
 Verified by: *[Signature]*



CONFIDENTIAL
 UNPUBLISHED WORK © 2006
 DECEUNINCK NORTH AMERICA

THIS DOCUMENT CONTAINS PROPRIETARY AND CONFIDENTIAL INFORMATION. DO NOT COPY OR DISCLOSE THIS INFORMATION WITHOUT THE EXPRESS WRITTEN CONSENT OF DECEUNINCK NORTH AMERICA. DECEUNINCK NORTH AMERICA RESERVES THE RIGHT TO CHANGE THIS DRAWING AND ANY ASSOCIATED DOCUMENTS.

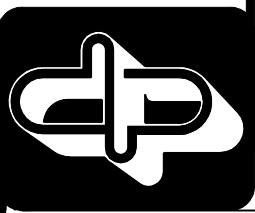
NOTES

1. ALLOY/TEMPER 6005-T5, 6061-T6 or 6105-T5.
2. WALL THICKNESS UNLESS OTHERWISE SHOWN: .062".
3. NO EXPOSED SURFACES.
4. BREAK SHARP CORNERS 0.015R.
5. MOMENTS OF INERTIA: $I_{xx} = .032$; $I_{yy} = .061$.
6. ϕ INDICATES CENTROID LOCATION.

Deceuninck® NORTH AMERICA/Oakland NJ

AREA = .442 PERIMETER = 6.968
 WT/FT = .530 FACTOR = 13

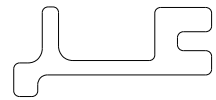
FILENAME: Alum-5C 145093SH-Mtg. Rail DP50 Reba



C	RJK	6-8-05	.188 WAS .223
B	RJK	5-18-05	MOVED SCREW BOSS FOR M.R. ATTACH. BRAC
A	RJK	5-3-05	GEN. REVISIONS TO INCREASE Y-Y MOMENT
REV	BY	APPV'D	DATE CHANGE

BY RJK DATE 4-21-05 MAT'L NOTE 1 SCALE FULL

DNA IMPACT PROJECT 10300084



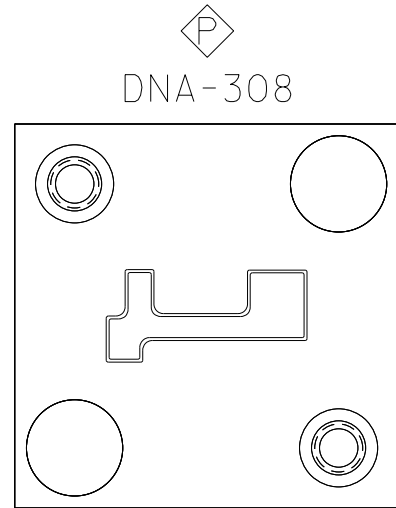
SCALE 1:1

Report #: G6286-116-45
 Date: 5/11/2017
 Verified by: *[Signature]*

CAD MAINTAINED. CHANGES SHALL BE INCORPORATED BY THE DESIGN ACTIVITY.

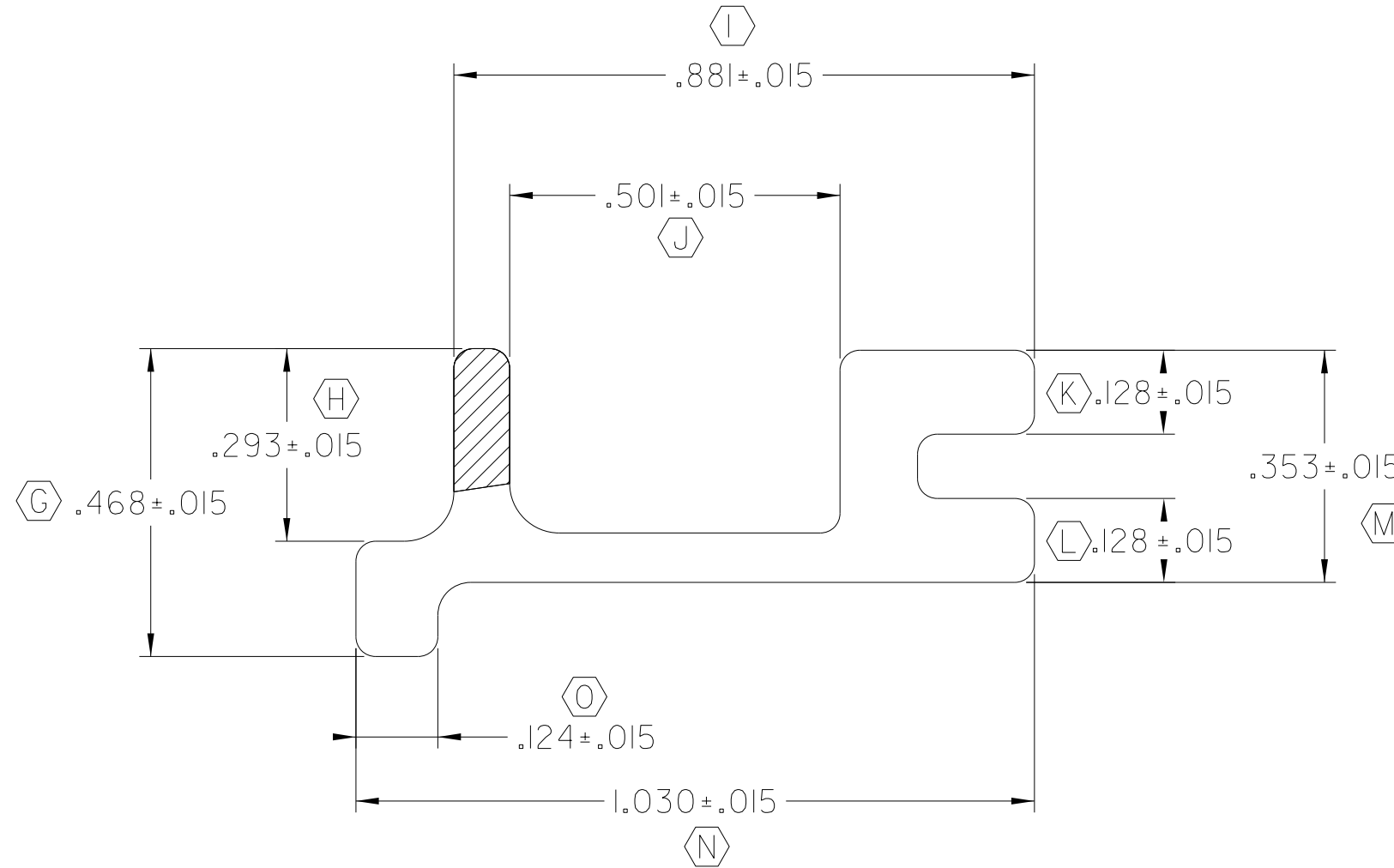
REVISION HISTORY			
REV	DESCRIPTION	DATE	APPROVED
A	ADDED GAUGE REQ	12/06/04	BWB

KEY PRODUCT CHARACTERISTICS
 P GAUGE DNA-308

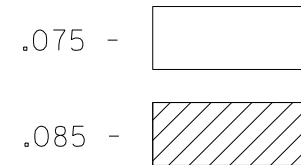


NOTES:

1. PART MUST FIT THROUGH PLATE #1 AND NOT PLATE #2 TO SAVE.



WALL THICKNESS

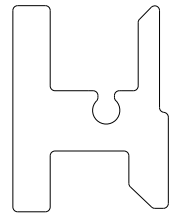


NOTES:

- 'STD00013' STRAIGHTNESS CLASS A AND LENGTH TOLERANCES APPLY (A)
- INTERPRET ALL TOLERANCE APPLICATIONS PER STD00013 (B)
- UNSPECIFIED EXTERNAL RADII = .XXX +.010 / -.005 (C)
- UNSPECIFIED INTERNAL RADII = .XXX +.020 / -.005 (D)
- UNSPECIFIED EXTERNAL WALL THICKNESS = .XXX +/- 10% (E)
- UNSPECIFIED INTERNAL WALL THICKNESS = .XXX +/- 20% (F)
- MAT'L TO BE DNA PUR

CONFIDENTIAL UNPUBLISHED WORK © 2012 DECEUNINCK NORTH AMERICA	UNLESS OTHERWISE SPECIFIED DIM ARE IN INCHES TOL ON ANGLES ± 1° 2 PL: ± 0.010° 3 PL: ± 0.005° INTERPRET DIM AND TOL PER ASME Y14.5M - 1994	DESIGN BY: JGM DATE: 11/06/14 DRAWN BY: BWB DATE: 11/06/14 AUTH: DATE: AUTH: DATE: AUTH: DATE: FILENAME: 126321	deceuninck NORTH AMERICA 351 NORTH GARVER ROAD MONROE, OHIO 45050
	THIS DOCUMENT CONTAINS PROPRIETARY AND CONFIDENTIAL INFORMATION. DO NOT COPY OR DISCLOSE THIS INFORMATION WITHOUT THE EXPRESS WRITTEN CONSENT OF DECEUNINCK NORTH AMERICA. DECEUNINCK NORTH AMERICA RESERVES THE RIGHT TO CHANGE THIS DRAWING AND ANY ASSOCIATED DOCUMENTS.	THIRD ANGLE PROJECTION 	NAME: .09X SASH REINFORCEMENT SIZE DWG. NO: 10000661_SH SCALE: 4:1 (LBS/FT.) .145 SHEET: 1 OF 1

6/4/2012
usbwb
\\monsr01\dectech\data\dgn\126321.DGN



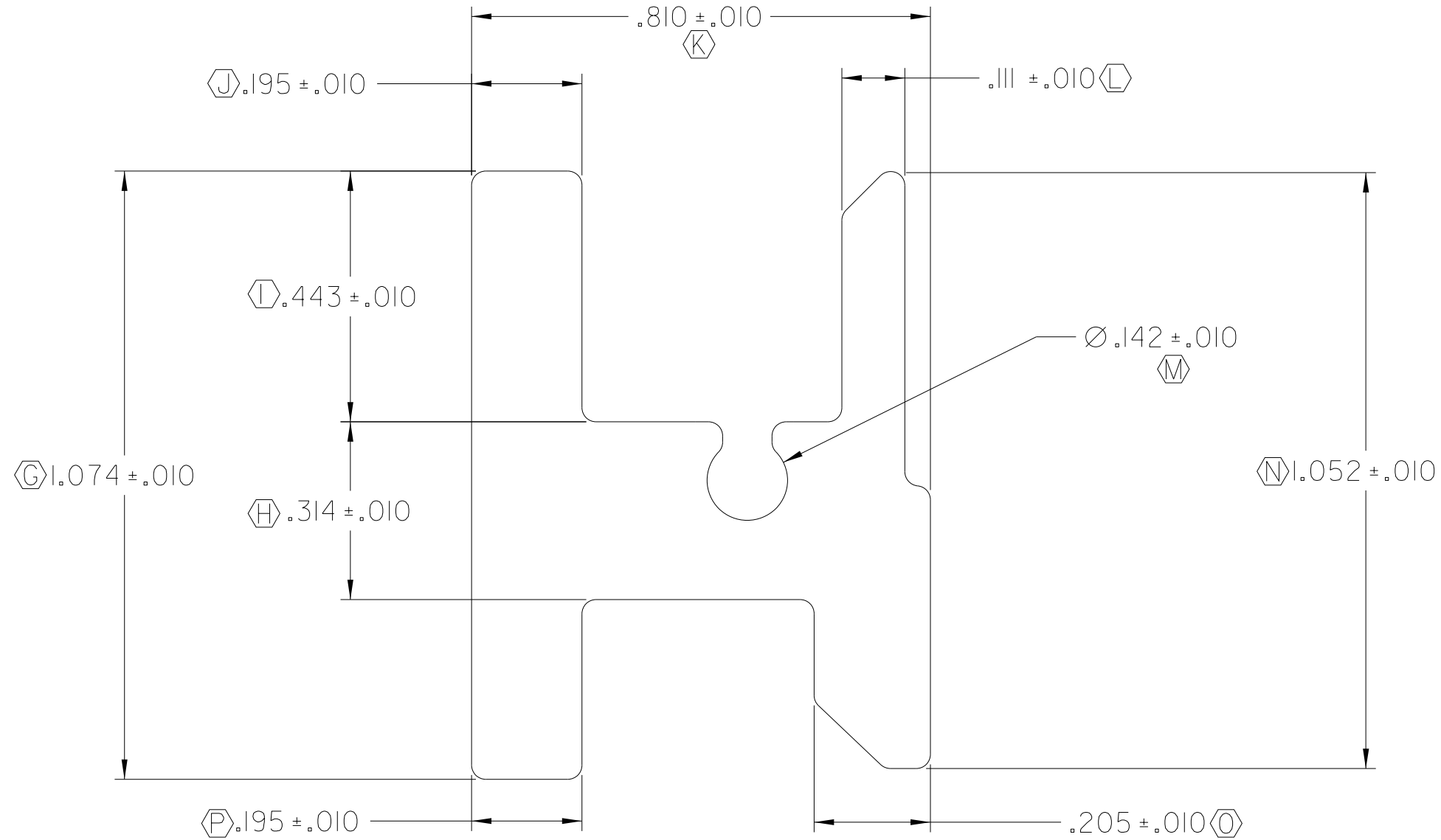
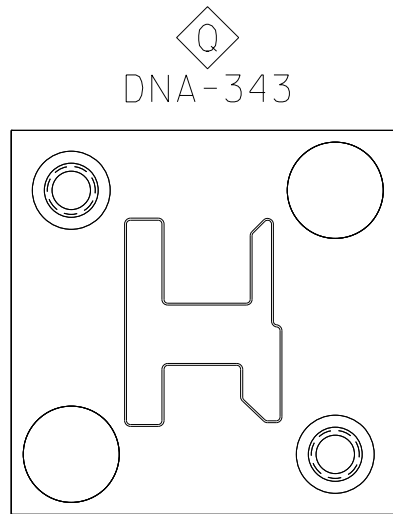
SCALE 1:1

Report #: G6286-116-45
 Date: 5/11/2017
 Verified by: *[Signature]*

CAD MAINTAINED. CHANGES SHALL BE INCORPORATED BY THE DESIGN ACTIVITY.

REVISION HISTORY			
REV	DESCRIPTION	DATE	APPROVED
-	---	---	---

KEY PRODUCT CHARACTERISTICS
 GAUGE DNA-343



NOTES:

- 'STD00013' STRAIGHTNESS CLASS A AND LENGTH TOLERANCES APPLY (A)
- INTERPRET ALL TOLERANCE APPLICATIONS PER STD0013 (B)
- UNSPECIFIED EXTERNAL RADII = $.XXX \pm .010 / -.005$ (C)
- UNSPECIFIED INTERNAL RADII = $.XXX \pm .020 / -.005$ (D)
- UNSPECIFIED EXTERNAL WALL THICKNESS = $.XXX \pm 10\%$ (E)
- UNSPECIFIED INTERNAL WALL THICKNESS = $.XXX \pm 20\%$ (F)
- MAT'L TO BE DNA PUR

CONFIDENTIAL

UNPUBLISHED WORK © 2012
 DECEUNINCK NORTH AMERICA

THIS DOCUMENT CONTAINS PROPRIETARY AND CONFIDENTIAL INFORMATION. DO NOT COPY OR DISCLOSE THIS INFORMATION WITHOUT THE EXPRESS WRITTEN CONSENT OF DECEUNINCK NORTH AMERICA. DECEUNINCK NORTH AMERICA RESERVES THE RIGHT TO CHANGE THIS DRAWING AND ANY ASSOCIATED DOCUMENTS.

UNLESS OTHERWISE SPECIFIED
 DIM ARE IN INCHES
 TOL ON ANGLES $\pm 1^\circ$
 2 PL: ± 0.010 3 PL: ± 0.005
 INTERPRET DIM AND TOL PER
 ASME Y14.5M - 1994

THIRD ANGLE PROJECTION



DESIGN BY:	JGM
DATE:	12/04/25
DRAWN BY:	BWB
DATE:	12/12/11
AUTH:	DATE:
AUTH:	DATE:
AUTH:	DATE:
FILENAME:	134324

deceuninck NORTH AMERICA
 351 NORTH GARVER ROAD
 MONROE, OHIO 45050

NAME:		INNERGY REINFORCEMENT	
SIZE DWG. NO:	10000670_SH	REV.	NEW
SCALE:	4:1 (LBS/FT.) .431	SHEET:	1 OF 1

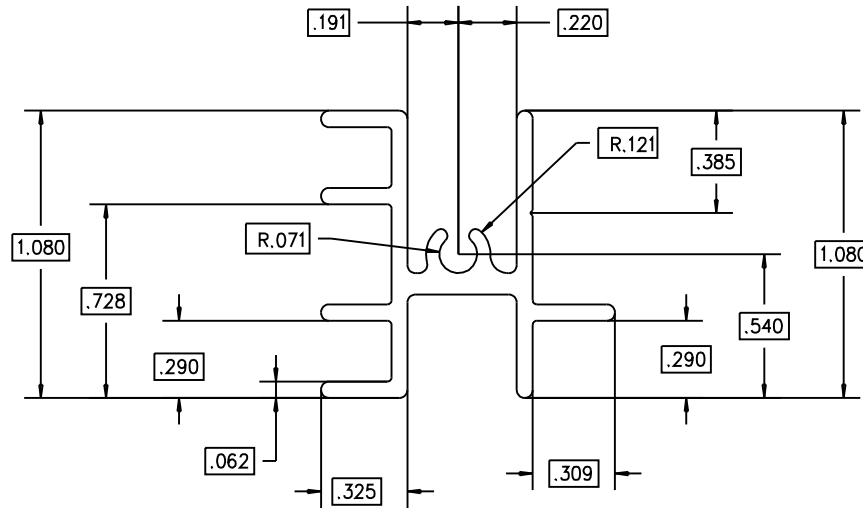
\$PLOTDATE\$

\$USER\$


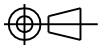
\$FILE\$

REVISION HISTORY			
REV.	DESCRIPTION	DATE	APPROVED
□	-----	YR/MTH/DAY	

CAD MAINTAINED. CHANGES SHALL BE INCORPORATED BY THE DESIGN ACTIVITY.

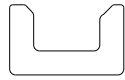


- NOTES:
1. This print contains proprietary information. Do not copy without express written consent of DAYTON TECHNOLOGIES.
 2. DAYTON TECHNOLOGIES reserves the right to change specifications.

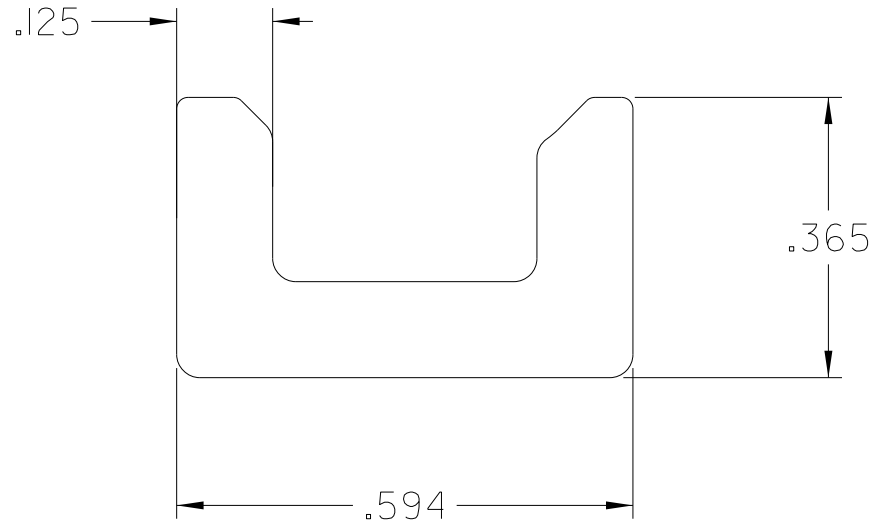
UNLESS OTHERWISE SPECIFIED DIM ARE IN INCHES TOL ON ANGLE ± .XX' 2 PL ± .XX 3 PL .XXX INTERPRET DIM AND TOL PER ASME Y14.5M - 1994	DESIGN BY: CRB	 deceuninck TECHNOLOGIES NORTH AMERICA COPYRIGHT 2002 351 NORTH GARVER ROAD MONROE, OHIO 45050
	DATE: 03/10/02	
THIRD ANGLE PROJECTION 	DRAWN BY: CRB	NAME:
	DATE: 03/10/02	MEETING RAIL REINFORCEMENT
	AUTH:	DWG. NO: 10300057
	DATE:	B
	FILENAME: H: pd/cod2/aluminum/ 10300057SH_1.mi	SCALE: 1 : 1 (Lbs/Ft) .318
		SHEET: 1 OF 1

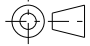
CAD MAINTAINED. CHANGES SHALL BE INCORPORATED BY THE DESIGN ACTIVITY.

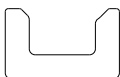
	Report #:	G6286-116-45
	Date:	5/11/2017
	Verified by:	<i>[Signature]</i>



SCALE 1:1



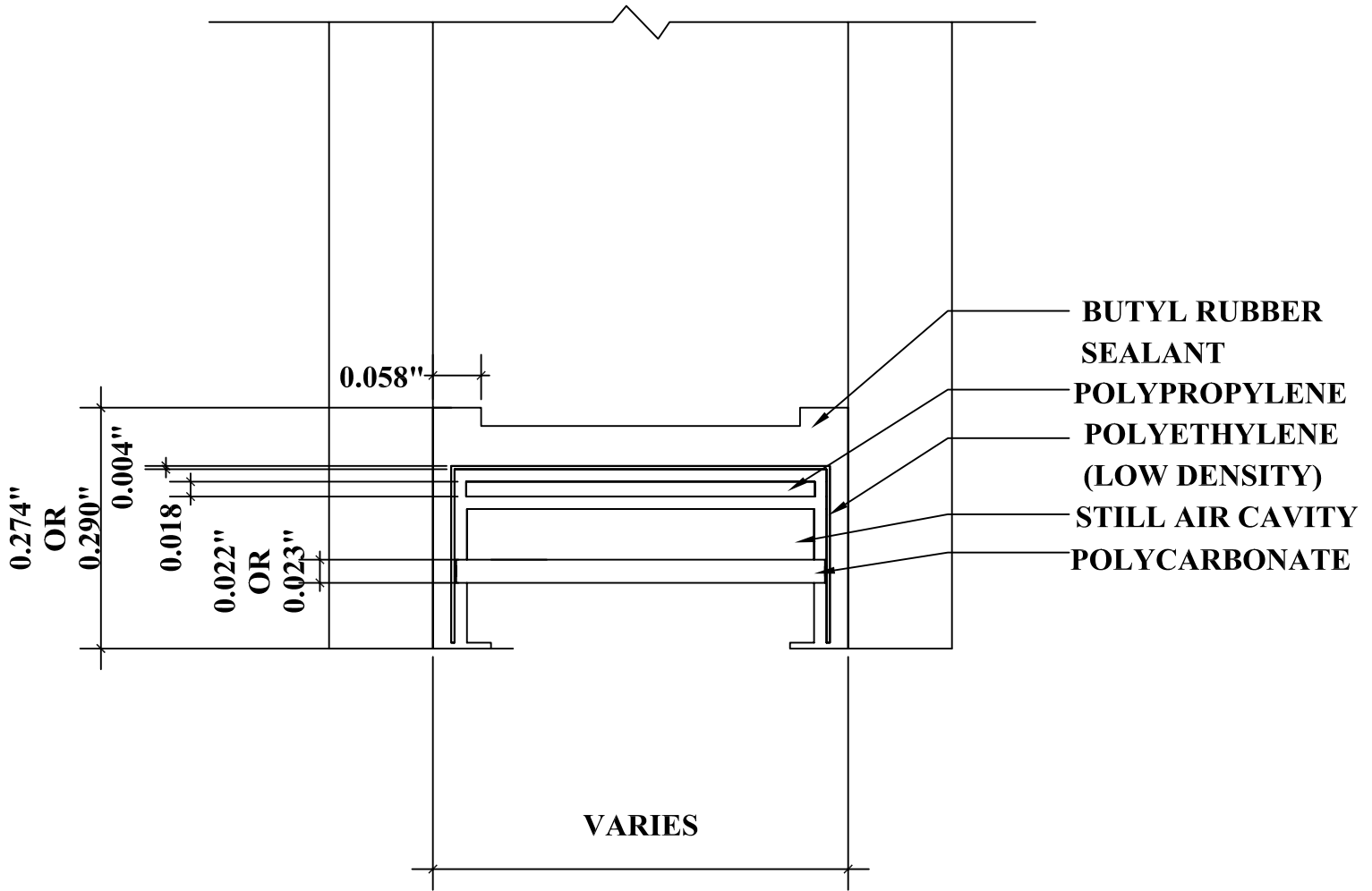
<p>CONFIDENTIAL</p> <p>UNPUBLISHED WORK © 2015 DECEUNINCK NORTH AMERICA</p> <p>THIS DOCUMENT CONTAINS PROPRIETARY AND CONFIDENTIAL INFORMATION. DO NOT COPY OR DISCLOSE THIS INFORMATION WITHOUT THE EXPRESS WRITTEN CONSENT OF DECEUNINCK NORTH AMERICA. DECEUNINCK NORTH AMERICA RESERVES THE RIGHT TO CHANGE THIS DRAWING AND ANY ASSOCIATED DOCUMENTS.</p>	<p>UNLESS OTHERWISE SPECIFIED DIM ARE IN INCHES TOL ON ANGLES ± 1° 2 PL: ± 0.010" 3 PL: ± 0.005" INTERPRET DIM AND TOL PER ASME Y14.5M - 1994</p>	<p>DESIGN BY: SMW</p> <p>DATE: 15/10/28</p> <p>DRAWN BY: SMW</p> <p>DATE: 15/10/28</p> <p>AUTH: DATE:</p> <p>AUTH: DATE:</p> <p>AUTH: DATE:</p> <p>FILENAME: 173305</p>	<p>deceuninck Deceuninck North America 351 N. Garver Road Monroe, OH 45050</p>
	<p>THIRD ANGLE PROJECTION</p> <p></p>	<p>NAME: AWA .27 SMALL INNERGY</p> <p>SIZE DWG. NO: A AWA-.27_SASH_SMALL_INNERGY</p> <p>SCALE: 4 : 1 (LBS/FT.) SHEET:</p>	<p>REV. SHEET: NEW</p>



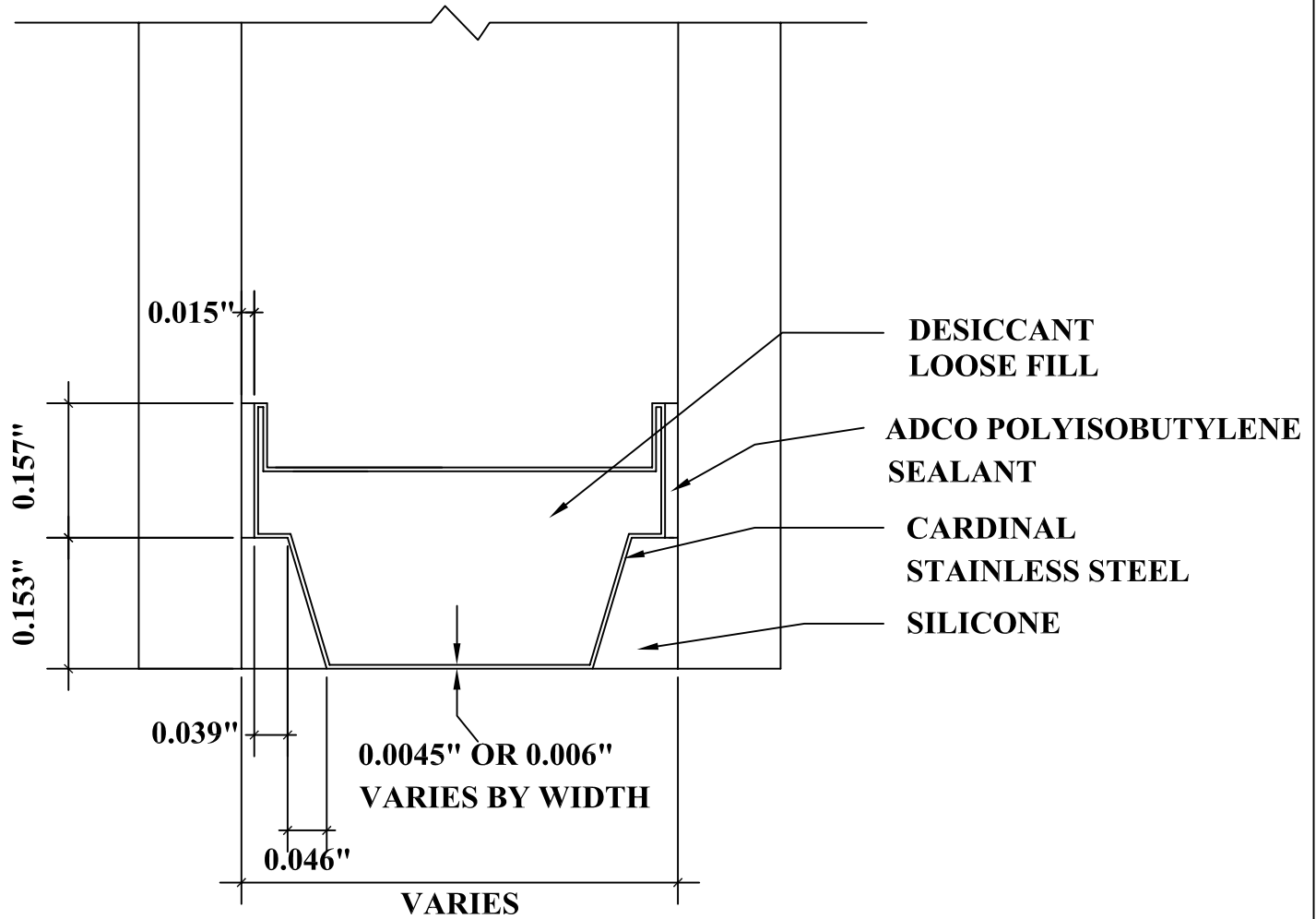
\$PLOTDATE\$

\$USERS\$

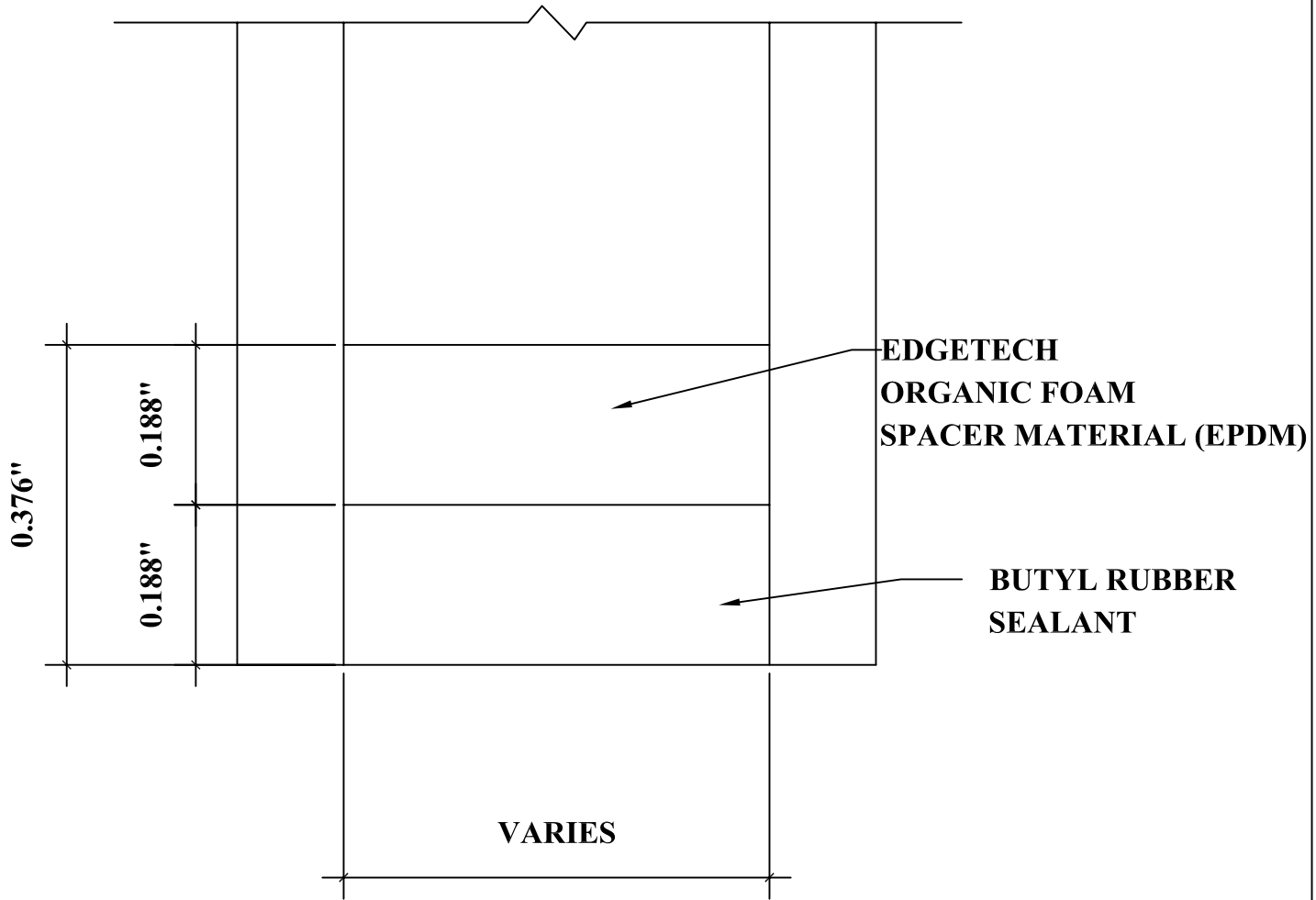
\$FILEL\$



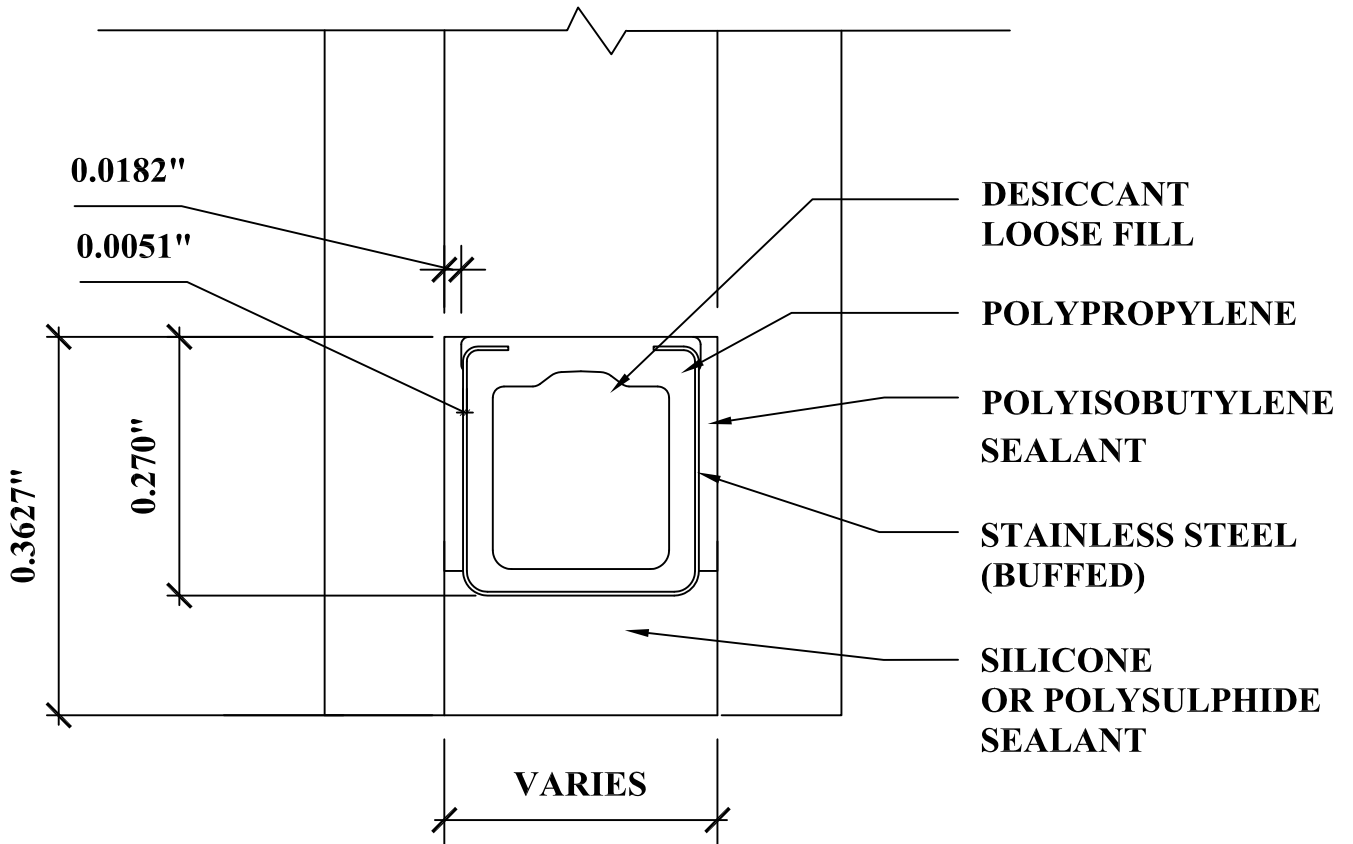
DETAIL FOR THERMAL MODELING OF
TRUSEAL DURALITE SPACER (P1-S)



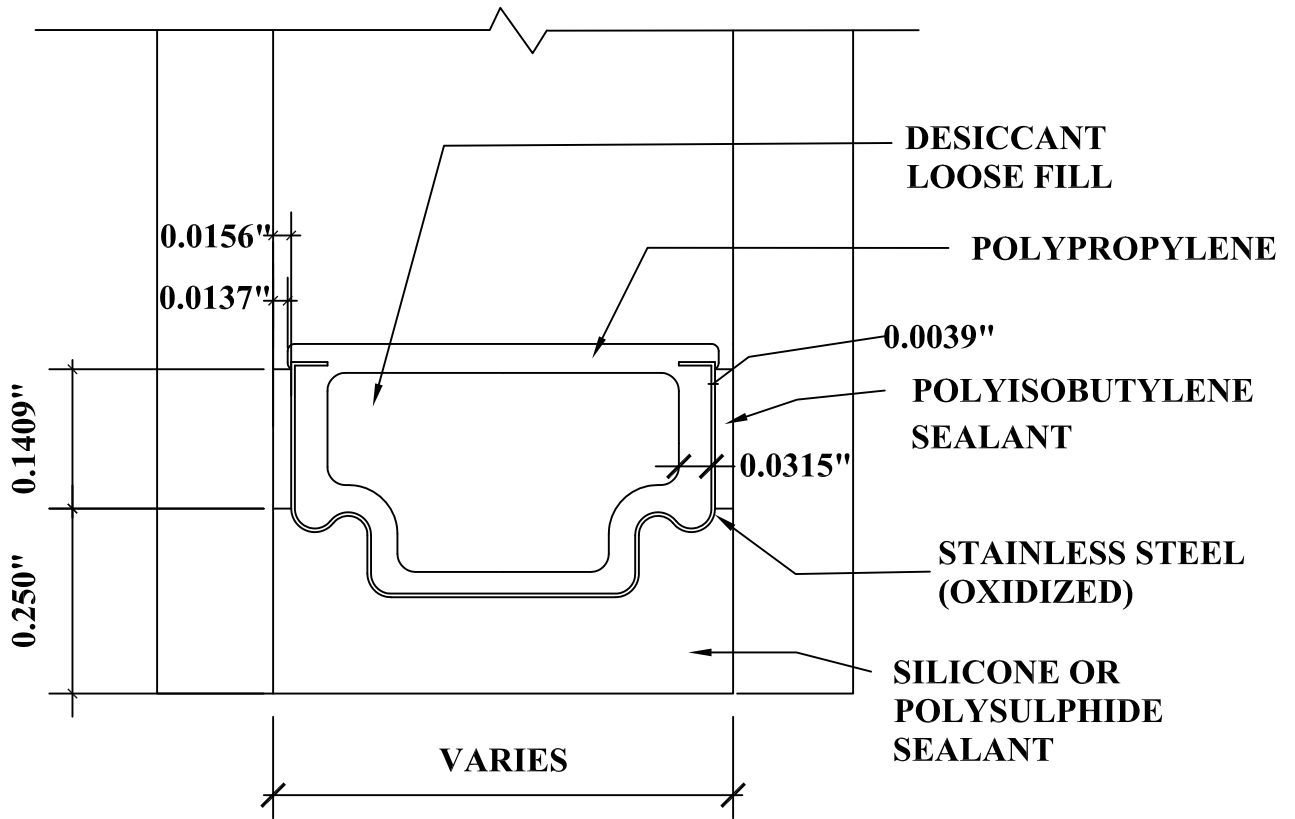
DETAIL FOR THERMAL MODELING OF
CARDINAL XL EDGE SPACER (SS-D)



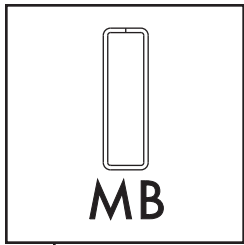
DETAIL FOR THERMAL MODELING OF
EDGETECH SUPER SPACER STANDARD (OF-S)



DETAIL FOR THERMAL MODELING OF
TECHNOFORM TGI SPACER - IS (TS-D)

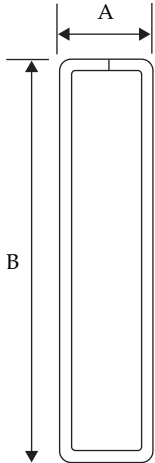


DETAIL FOR THERMAL MODELING OF
TECHNOFORM TGI SPACER - TIS (TS-D)



Muntin Bar

Aluminum: Painted, ~~Mill Finish, Clear & Color In™ Anodized~~



TOLERANCE
 A, ± .005 (.127mm)
 B, ± .005 (.127mm)

	Report #:	G6286-116-45
	Date:	5/11/2017
	Verified by:	<i>[Signature]</i>

SPECIAL NOTICE
Cleaning and Handling of Muntin Bar

We recommend muntin bar to be wiped clean before installation into an insulating glass unit. A household grade liquid cleaner may be used for this purpose.

To avoid breakdown of painted surfaces, do not use M.E.K., Triethane, Alcohol or like substances for the cleaning of painted muntin bar.

When machining and processing muntin bar in your plant, keep saw tables and work areas free of saw cut filings to avoid scratching the painted surfaces.

Packaging Information			
Muntin Bar Size	Part #	Pieces Per Shipping Carton 12' 8" Lengths	Lineal Feet Per Shipping Carton 12' 8" Lengths
1/8 x .610	219697	200	2533
3/16 x 9/16 [†]	119320	150	1900
3/16 x .610 [†]	119705	125	1583
3/16 x 5/8 [†]	120874	125	1583
3/16 x 3/4	122909	110	1393
3/16 x 13/16	123618	110	1393
3/16 x 1	123823	85	1076
1/4 x 9/16	119427	135	1710
1/4 x 5/8 [†]	121410	120	1520
1/4 x 3/4	123063	95	1203
1/4 x 13/16	215017	95	1203
1/4 x 1	123836	70	887
1/4 x 1 1/4	123856	51	646
5/16 x 1	210318	60	684
3/8 x 5/8	121468	90	1140
3/8 x 3/4	123088	75	950
3/8 x 13/16	215016	70	887
3/8 x 7/8	123797	55	697
3/8 x 1	201968	55	696
3/8(.375) x 3/8	205591	140	1773
7/16 x 3/8	119016	115	1457
7/16 x 3/8	216500**	115	1457
7/16 x 1/2	213045	88	1115
7/16 x 5/8 ^Δ	214621	65	823
1/2 x 3/4 [*]	201043	50	633
1/2 x 1	203710	40	506

Specification In Inches		
Muntin Bar Size	A	B
1/8 x .610	.125	.610
3/16 x 9/16 [†]	.187	.551
3/16 x .610 [†]	.187	.610
3/16 x 5/8 [†]	.187	.630
3/16 x 3/4 [†]	.187	.775
3/16 x 13/16 [†]	.187	.801
3/16 x 1	.187	1.000
1/4 x 9/16	.235	.562
1/4 x 5/8 [†]	.235	.625
1/4 x 3/4	.235	.765
1/4 x 13/16	.235	.801
1/4 x 1	.235	1.000
1/4 x 1 1/4	.235	1.250
5/16 x 1	.312	1.000
3/8 x 5/8 [†]	.325	.625
3/8 x 3/4	.325	.750
3/8 x 13/16	.325	.801
3/8 x 7/8	.325	.875
3/8 x 1	.325	1.000
3/8(.375) x 3/8	.375	.375
7/16 x 3/8	.438	.375
7/16 x 3/8	.438	.375
7/16 x 1/2	.438	.500
7/16 x 5/8 ^Δ	.438	.625
1/2 x 3/4 [*]	.500	.750
1/2 x 1	.500	1.000

Part numbers shown are standard white color.

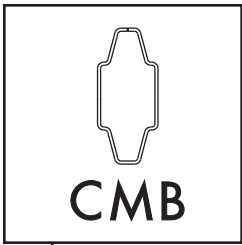
Material thickness: .0185

[†] Available in tutone. Please see Color Selection Chart located in front of catalog.

^Δ Part number shown is Dark Bronze Anodized Color.

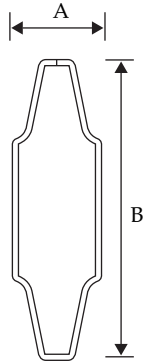
^{*} Part number shown is Clear Anodized. ^{**}Part number shown is white welded.

Note: Available in pre-cut lengths and pre-notched; tutone and post-painted. Custom colors also available.



Contour Muntin Bar

Aluminum: Painted, ~~Mill Finish, Clear & Color-In™ Anodized~~



TOLERANCE
 A, ± .005 (.127mm)
 B, ± .005 (.127mm)

SPECIAL NOTICE

Cleaning and Handling of Muntin Bar

We recommend muntin bar to be wiped clean before installation into an insulating glass unit. A household grade liquid cleaner may be used for this purpose.

To avoid breakdown of painted surfaces, do not use M.E.K., Triethane, Alcohol or like substances for the cleaning of painted muntin bar.

When machining and processing muntin bar in your plant, keep saw tables and work areas free of saw cut filings to avoid scratching the painted surfaces.

Packaging Information			
Muntin Bar Size Millimeter	Part #	Pieces Per Shipping Carton 12' 8" Lengths	Lineal Feet Per Shipping Carton 12' 8" Lengths
5.5 x 18	124040	170	2153
8 x 18	123911	120	1520
8 x 25	124307	84	1064

Specification In Inches		
Muntin Bar Size Millimeter	A	B
5.5 x 18	.217	.709
8 x 18	.315	.709
8 x 25	.315	.984

Part numbers shown are standard white color.

Available in solid & tutone colors.

Please see Color Selection Chart located in front of catalog.

Material Thickness:

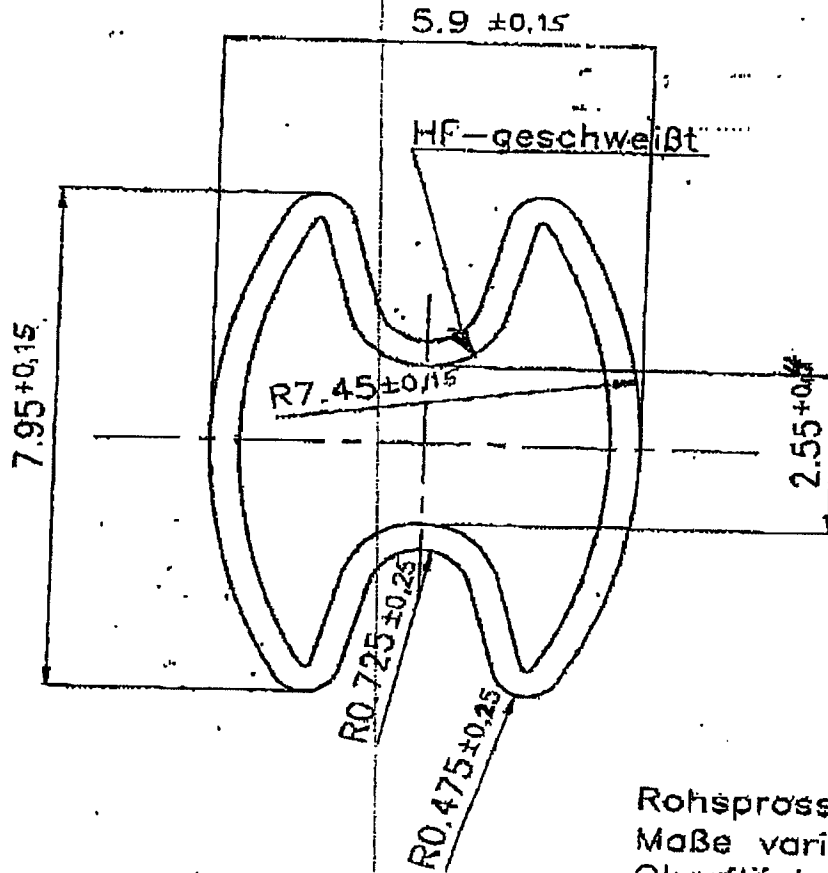
.016: 5.5 x 18mm and 8 x 18mm.

.0185: 8 x 25mm.

Note: Available in pre-cut lengths and pre-notched; tutone and post-painted. Custom colors also available.

Painted seam available in limited colors upon request.

	Report #:	G6286-116-45
	Date:	5/11/2017
	Verified by:	



Rohsprössel
 Maße variieren je nach
 Oberflächenbehandlung

Verteiler: BTL
 DM3
 Produktion
 AV

Intertek ISO 9001 MT
 Report #: G6286-116-45
 Date: 5/11/2017
 Verified by: *[Signature]*

1	Höhe u. Breite geändert	04.07.96	Höf.	
	Ä-Nr./Art der Änderung	Datum	Name	Gepr.

Werkstoff: Bd 0,4 ^{+0,04}/_{-0,03} Al 99,95-ähnlich EN 1085/WN
 wahlweise EN AW-3003

1996 Tag Name
 Bearb. 24.07. Höfinghoff
 Gepr.

Für diese Zeichnung bzw. techn. Unterlage behalten wir uns alle Rechte vor.

Helmut Lingemann
 GmbH & Co.
 Aluminium-Press- und
 Walzwerk
 Am Deckerschützen 02
 43114 Kuppental

Maßstab: 10:1
 Benennung: Einbausprosse, geschweißt

Zeichnungsnummer: KP 8x1,5G

Maße ohne
 Tek.-Angabe
 DIN 7168-m

Erstellt durch:

M1

Nr.	1
-----	---



SCALE 1:1

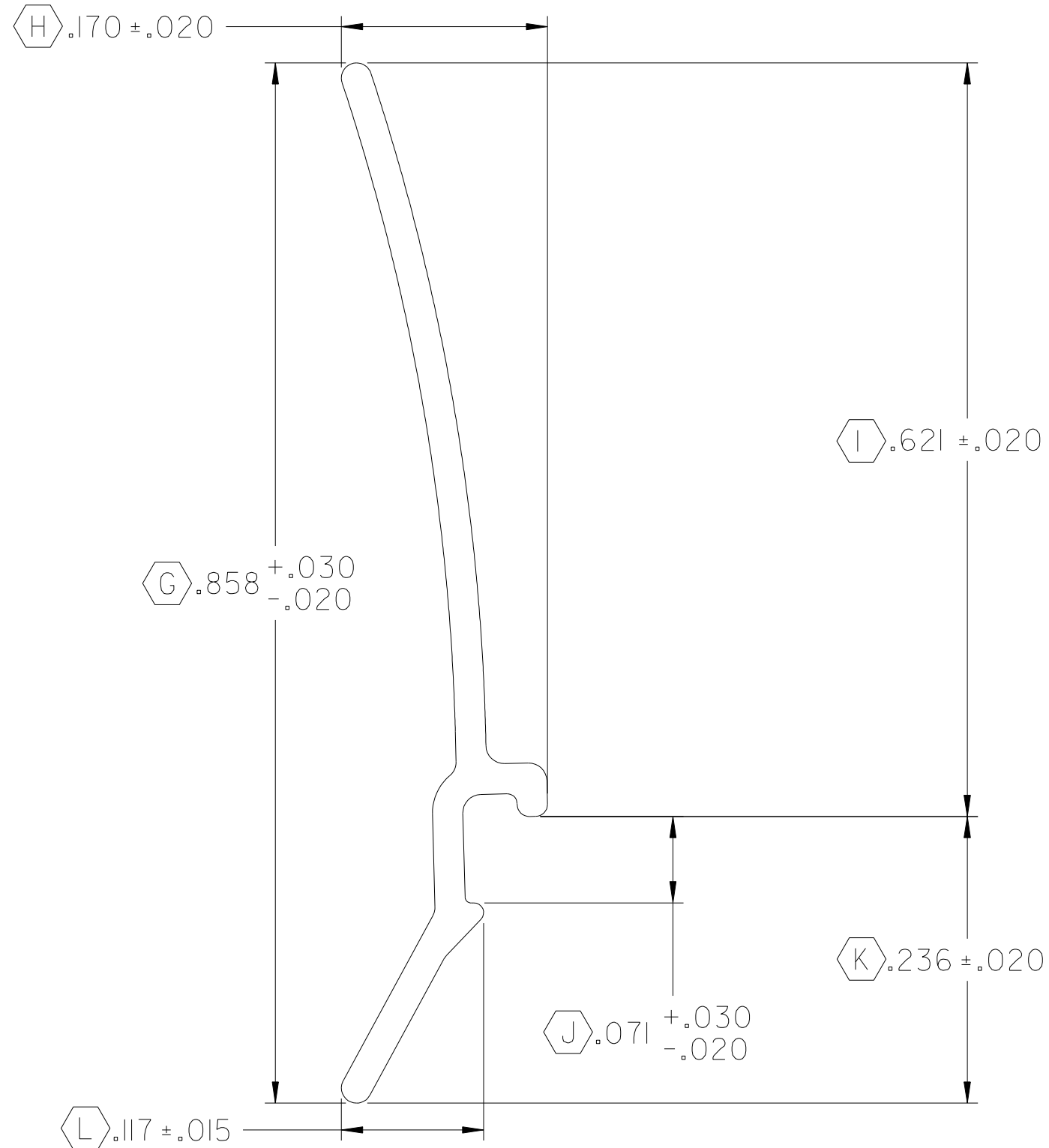
Report #: G6286-116-45
 Date: 5/11/2017
 Verified by: [Signature]

CAD MAINTAINED. CHANGES SHALL BE INCORPORATED BY THE DESIGN ACTIVITY.

REVISION HISTORY			
REV	DESCRIPTION	DATE	APPROVED
F	INCREASED WALL THICKNESS TOLERANCE	09/10/23	BWB

\$PL0TDATE\$

USE MYLAR
10003190_OP REV E



\$USER\$

WALL THICKNESS

.025 -

NOTES:

- 'STD00013' STRAIGHTNESS CLASS E AND LENGTH TOLERANCES APPLY $\text{\textcircled{A}}$
- INTERPRET ALL TOLERANCE APPLICATIONS PER STD0013 $\text{\textcircled{B}}$
- UNSPECIFIED EXTERNAL RADII = .XXX +.010 / -.005 $\text{\textcircled{C}}$
- UNSPECIFIED INTERNAL RADII = .XXX +.020 / -.005 $\text{\textcircled{D}}$
- UNSPECIFIED EXTERNAL WALL THICKNESS = .020 - .036 $\text{\textcircled{E}}$

CONFIDENTIAL

UNPUBLISHED WORK © 2009
DECEUNINCK NORTH AMERICA

THIS DOCUMENT CONTAINS PROPRIETARY AND CONFIDENTIAL INFORMATION. DO NOT COPY OR DISCLOSE THIS INFORMATION WITHOUT THE EXPRESS WRITTEN CONSENT OF DECEUNINCK NORTH AMERICA. DECEUNINCK NORTH AMERICA RESERVES THE RIGHT TO CHANGE THIS DRAWING AND ANY ASSOCIATED DOCUMENTS.

UNLESS OTHERWISE SPECIFIED
DIM ARE IN INCHES
TOL ON ANGLES $\pm 1^\circ$
2 PL: $\pm 0.010"$ 3 PL: $\pm 0.005"$
INTERPRET DIM AND TOL PER
ASME Y14.5M - 1994

THIRD ANGLE PROJECTION



DESIGN BY:	TJH
DATE:	01/11/20
DRAWN BY:	TJH
DATE:	01/11/20
AUTH:	DATE:
AUTH:	DATE:
AUTH:	DATE:
FILENAME:	92927

deceuninck **NORTH AMERICA**
 351 NORTH GARVER ROAD
 MONROE, OHIO 45050

NAME:	GLAZING BEAD	
SIZE DWG. NO:	10003190_SH	REV. F
SCALE:	8 : 1 (LBS/FT.) .015	SHEET: 1 OF 1

\$FILEL\$